



US00D961281S

(12) **United States Design Patent**
Deevers et al.

(10) **Patent No.:** **US D961,281 S**
(45) **Date of Patent:** **** Aug. 23, 2022**

(54) **CHAIR**

(71) Applicant: **Steelcase Inc.**, Grand Rapids, MI (US)

(72) Inventors: **Nickolaus William Charles Deevers**, Holland, MI (US); **Kurt R. Heidmann**, Grand Rapids, MI (US); **Gordon J. Peterson**, Rockford, MI (US); **Mark Spoelhof**, Grand Rapids, MI (US); **James Ludwig**, Grand Rapids, MI (US)

(73) Assignee: **STEELCASE INC.**, Grand Rapids, MI (US)

(**) Term: **15 Years**

(21) Appl. No.: **29/724,806**

(22) Filed: **Feb. 19, 2020**

(51) **LOC (13) Cl.** **06-01**

(52) **U.S. Cl.**
USPC **D6/366**

(58) **Field of Classification Search**
USPC D6/334, 361, 364, 365, 366, 367, 379, D6/380, 716.1, 716.2, 716.4
CPC A47C 3/00; A47C 3/18; A47C 3/20; A47C 3/026; A47C 1/00; A47C 1/02; A47C 1/022; A47C 1/03; A47C 1/14; A47C 1/143; A47C 7/24; A47C 7/36; A47C 7/46; A47C 7/18; A47C 7/40; A47C 7/54
See application file for complete search history.

(56) **References Cited**

U.S. PATENT DOCUMENTS

3,041,109	A	6/1962	Eames et al.
3,606,464	A	9/1971	Arbuthnot
4,545,614	A	10/1985	Abu-Isa et al.
4,555,136	A	11/1985	Dranger
4,555,139	A	11/1985	Leib
4,826,249	A	5/1989	Bradbury
4,869,554	A	9/1989	Abu-Isa et al.

5,354,120	A	10/1994	Völkle
5,457,968	A	10/1995	McClintock et al.
5,795,026	A	8/1998	Dral
5,855,991	A	1/1999	McLarty, III
6,050,646	A	4/2000	Stenzel et al.
6,341,822	B2	1/2002	Apissomian
6,632,756	B1	10/2003	Waldrop et al.
D487,359	S	3/2004	Giugiaro
6,729,691	B2	5/2004	Koepke et al.
6,749,261	B2	6/2004	Knoblock et al.
D496,813	S	10/2004	Nakajima
6,814,412	B2	11/2004	Cramb, III et al.

(Continued)

FOREIGN PATENT DOCUMENTS

JP	2012085897	A	5/2012
JP	2013-132403	A	7/2013
JP	2020062346	A	4/2020

OTHER PUBLICATIONS

Sedus brochure, "se:motion, Office swivel chair for agile working", obtained from the Internet at: www.sedus.com, not dated, 20 pgs.

Primary Examiner — R. Johnson

(74) *Attorney, Agent, or Firm* — Crowell & Moring LLP

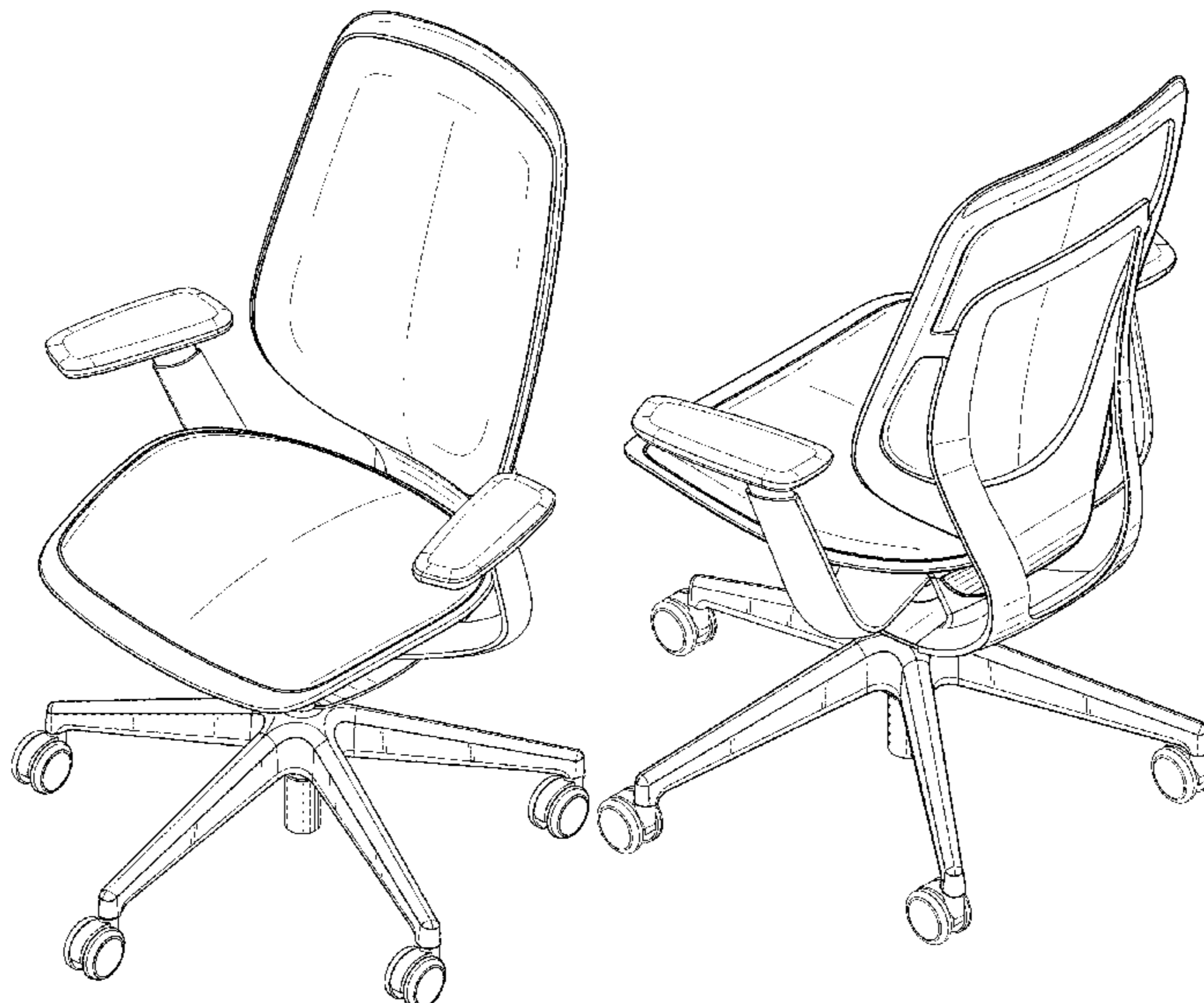
(57) **CLAIM**

The ornamental design for a chair, as shown and described.

DESCRIPTION

FIG. 1 is a front perspective view of a chair;
FIG. 2 is a rear perspective view of the chair shown in FIG. 1;
FIG. 3 is a right side view of the chair shown in FIG. 1;
FIG. 4 is a left side view of the chair shown in FIG. 1;
FIG. 5 is front view of the chair shown in FIG. 1;
FIG. 6 is a rear view of the chair shown in FIG. 1;
FIG. 7 is a top view of the chair shown in FIG. 1; and,
FIG. 8 is a bottom view of the chair shown in FIG. 1.

1 Claim, 8 Drawing Sheets



(56)

References Cited

U.S. PATENT DOCUMENTS

6,951,370 B1	10/2005	Hsu	
6,983,997 B2	1/2006	Wilkerson et al.	
D517,820 S	3/2006	Citterio	
7,055,911 B2	6/2006	Simpson et al.	
D527,920 S	9/2006	Giugiaro	
D528,811 S	9/2006	Giugiaro	
7,159,943 B2	1/2007	Costaglia	
D549,975 S	9/2007	Fancelli	
D555,377 S	11/2007	Pensi	
D557,917 S	12/2007	Nakamura	
D576,809 S	9/2008	Christianson et al.	
7,425,039 B2	9/2008	Lin	
7,441,839 B2	10/2008	Pennington et al.	
7,568,765 B2	8/2009	Bräuning	
7,712,833 B2	5/2010	Ueda	
7,837,272 B2	11/2010	Masunaga et al.	
D641,983 S *	7/2011	Hazzard	D6/366
D646,088 S	10/2011	Ballendat	
8,087,727 B2	1/2012	Parker et al.	
8,113,582 B2	2/2012	Liu	
D658,904 S	5/2012	Chen	
D663,129 S	7/2012	Greutmann	
8,251,448 B2 *	8/2012	Machael	A47C 7/46 297/300.2
D675,456 S	2/2013	Sexton	
D683,150 S	5/2013	Smith et al.	
D683,151 S	5/2013	Smith et al.	
D688,497 S	8/2013	Smith et al.	
D688,498 S	8/2013	Smith et al.	
D688,499 S	8/2013	Smith et al.	
D688,500 S	8/2013	Smith et al.	
D688,501 S	8/2013	Smith et al.	
D688,503 S	8/2013	Smith et al.	
D688,504 S	8/2013	Smith et al.	
D688,505 S	8/2013	Smith et al.	
D689,312 S	9/2013	Smith et al.	
D689,313 S	9/2013	Smith et al.	
D689,314 S	9/2013	Smith et al.	
D689,317 S	9/2013	Smith et al.	
D689,318 S	9/2013	Smith et al.	
D690,146 S	9/2013	Smith et al.	
D690,547 S	10/2013	Smith et al.	
D694,536 S	12/2013	Smith et al.	
D694,537 S	12/2013	Smith et al.	
D694,538 S	12/2013	Smith et al.	
D694,539 S	12/2013	Smith et al.	
D694,540 S	12/2013	Smith et al.	
D695,034 S	12/2013	Smith et al.	
D697,726 S	1/2014	Smith et al.	
D697,728 S	1/2014	Smith et al.	
D697,729 S	1/2014	Smith et al.	
D697,730 S	1/2014	Smith et al.	
D698,164 S	1/2014	Smith et al.	
D698,165 S	1/2014	Smith et al.	
D698,166 S	1/2014	Smith et al.	
D699,957 S	2/2014	Smith et al.	
D699,958 S	2/2014	Smith et al.	
D699,959 S	2/2014	Smith et al.	
D699,994 S	2/2014	Smith et al.	
D701,053 S	3/2014	Smith et al.	
8,690,249 B2	4/2014	Kang et al.	
D707,976 S	7/2014	Smith	
D708,882 S	7/2014	Hsuan-Chin	
8,794,701 B2	8/2014	Nakayama et al.	
8,998,339 B2	4/2015	Peterson et al.	
D733,445 S	7/2015	Izawa et al.	
D742,676 S	11/2015	Smith et al.	
D742,677 S	11/2015	Smith et al.	
D742,678 S	11/2015	Smith et al.	
D750,406 S	3/2016	Smith et al.	
9,560,917 B2	2/2017	Roslund, Jr.	
D781,604 S	3/2017	Smith et al.	
D781,605 S	3/2017	Smith et al.	
9,622,579 B2	4/2017	Wilkinson et al.	
9,648,957 B2	5/2017	Su	
D792,717 S	7/2017	Webb	
D802,951 S	11/2017	Ludwig et al.	
D802,952 S	11/2017	Ludwig et al.	
D804,209 S	12/2017	Ludwig et al.	
D804,839 S	12/2017	Ludwig et al.	
D804,840 S	12/2017	Ludwig et al.	
D804,841 S	12/2017	Ludwig et al.	
D804,875 S	12/2017	Ludwig et al.	
D804,876 S	12/2017	Ludwig et al.	
D808,187 S	1/2018	Ludwig et al.	
D821,793 S	7/2018	Ludwig et al.	
D825,971 S	8/2018	Scagnellato	
D834,844 S	12/2018	Chan et al.	
10,173,567 B2	1/2019	Madrigal et al.	
D852,525 S *	7/2019	Peterson	D6/366
D852,526 S	7/2019	Peterson	
D863,802 S	10/2019	Wang	
D869,872 S *	12/2019	Deevers	D6/366
D870,479 S	12/2019	Deevers et al.	
D873,043 S *	1/2020	Su	D6/366
D873,576 S	1/2020	Engelhardt	
D874,202 S	2/2020	Schmitz et al.	
D878,789 S	3/2020	Wang	
D879,523 S	3/2020	Lampela et al.	
D880,885 S	4/2020	Li	
D881,621 S	4/2020	Jin et al.	
10,617,226 B1	4/2020	Liao	
D883,690 S *	5/2020	Dassen	D6/366
D883,691 S	5/2020	Dassen	
D887,157 S	6/2020	Holbrook	
D899,836 S	10/2020	Chu	
D902,614 S	11/2020	Peng	
D903,353 S	12/2020	Meda	
D906,711 S	1/2021	Li	
D907,935 S *	1/2021	Deevers	D6/366
D908,381 S	1/2021	Breen	
D912,419 S *	3/2021	Chen	D6/366
2003/0189367 A1	10/2003	Erker	
2007/0057560 A1	3/2007	Fookes	
2007/0108821 A1 *	5/2007	Ueda	A47C 1/03255 297/301.1
2008/0100121 A1 *	5/2008	Serber	A47C 1/023 297/452.1
2009/0018833 A1	1/2009	Kozat et al.	
2009/0261644 A1	10/2009	Piretti	
2011/0233979 A1	9/2011	An	
2013/0341980 A1	12/2013	Halliday et al.	
2014/0077429 A1 *	3/2014	Batthey	A47C 1/03255 267/177
2014/0077541 A1 *	3/2014	Krupiczewicz	A47C 7/40 297/224
2014/0077548 A1 *	3/2014	Peterson	A47C 3/00 297/284.4
2016/0220025 A1	8/2016	Piretti	
2018/0310721 A1	11/2018	Schmitz et al.	
2020/0085194 A1	3/2020	Maier et al.	
2020/0305610 A1	10/2020	Bock	

* cited by examiner

FIG. 1



FIG. 2



FIG. 3

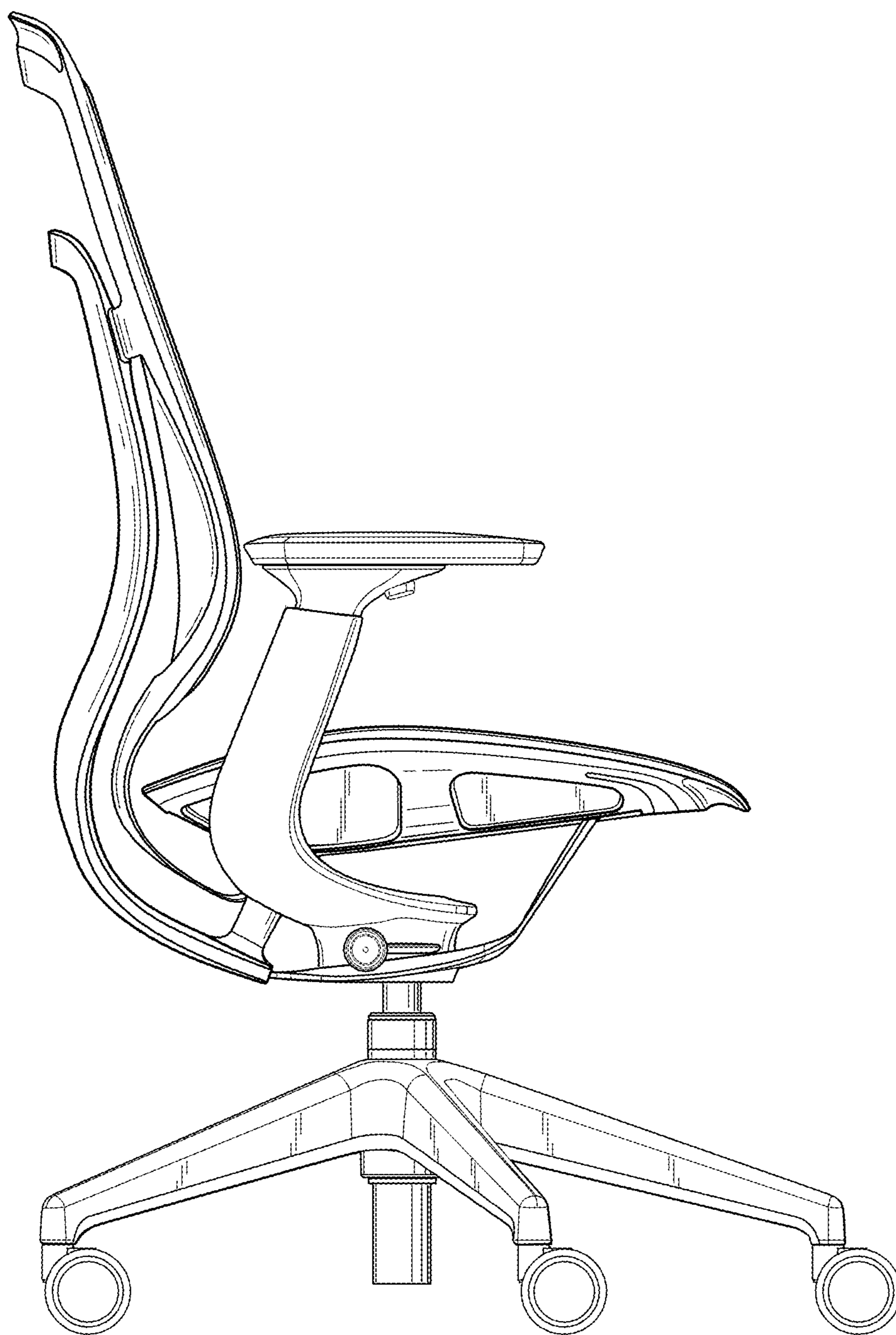


FIG. 4

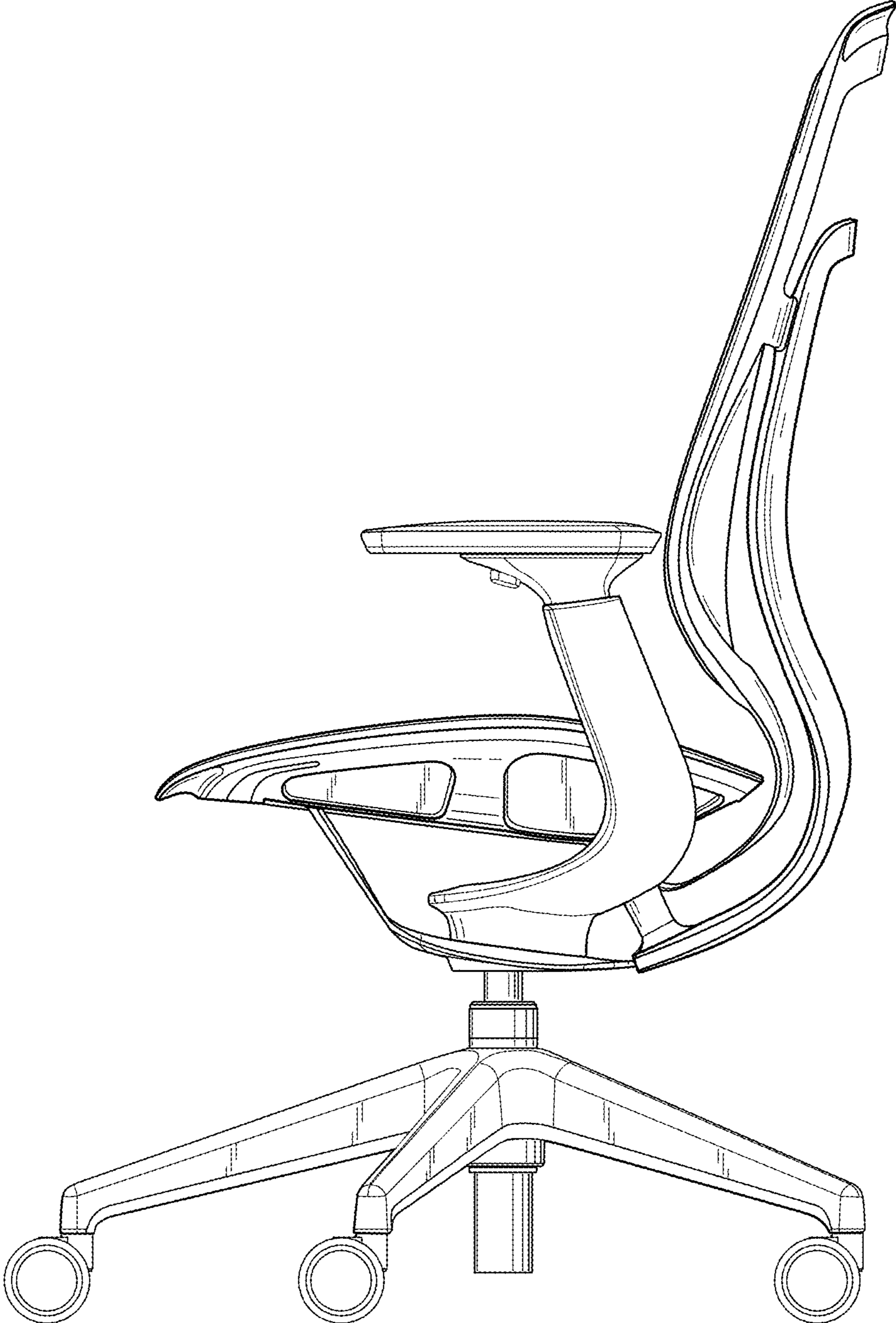


FIG. 5

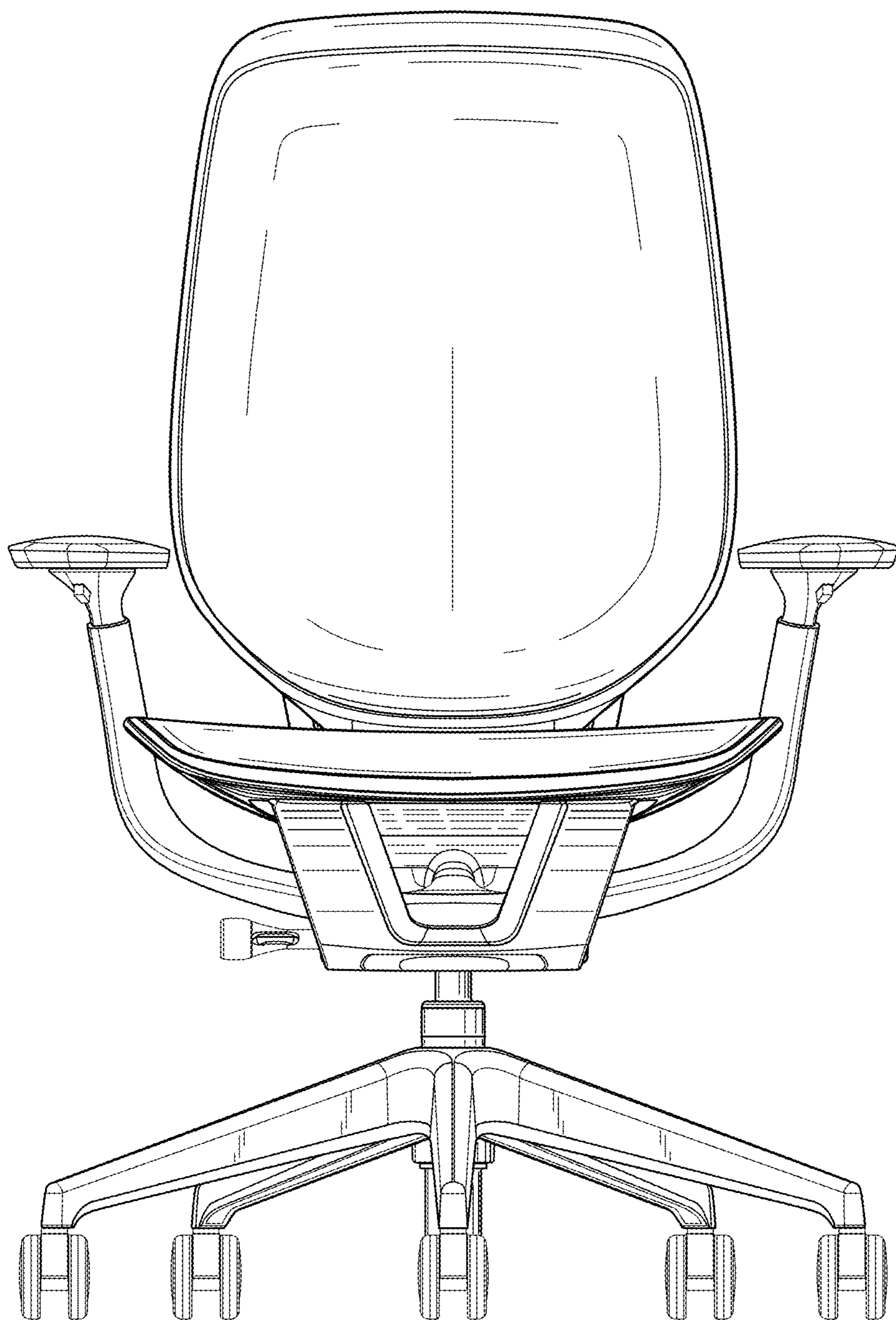


FIG. 6

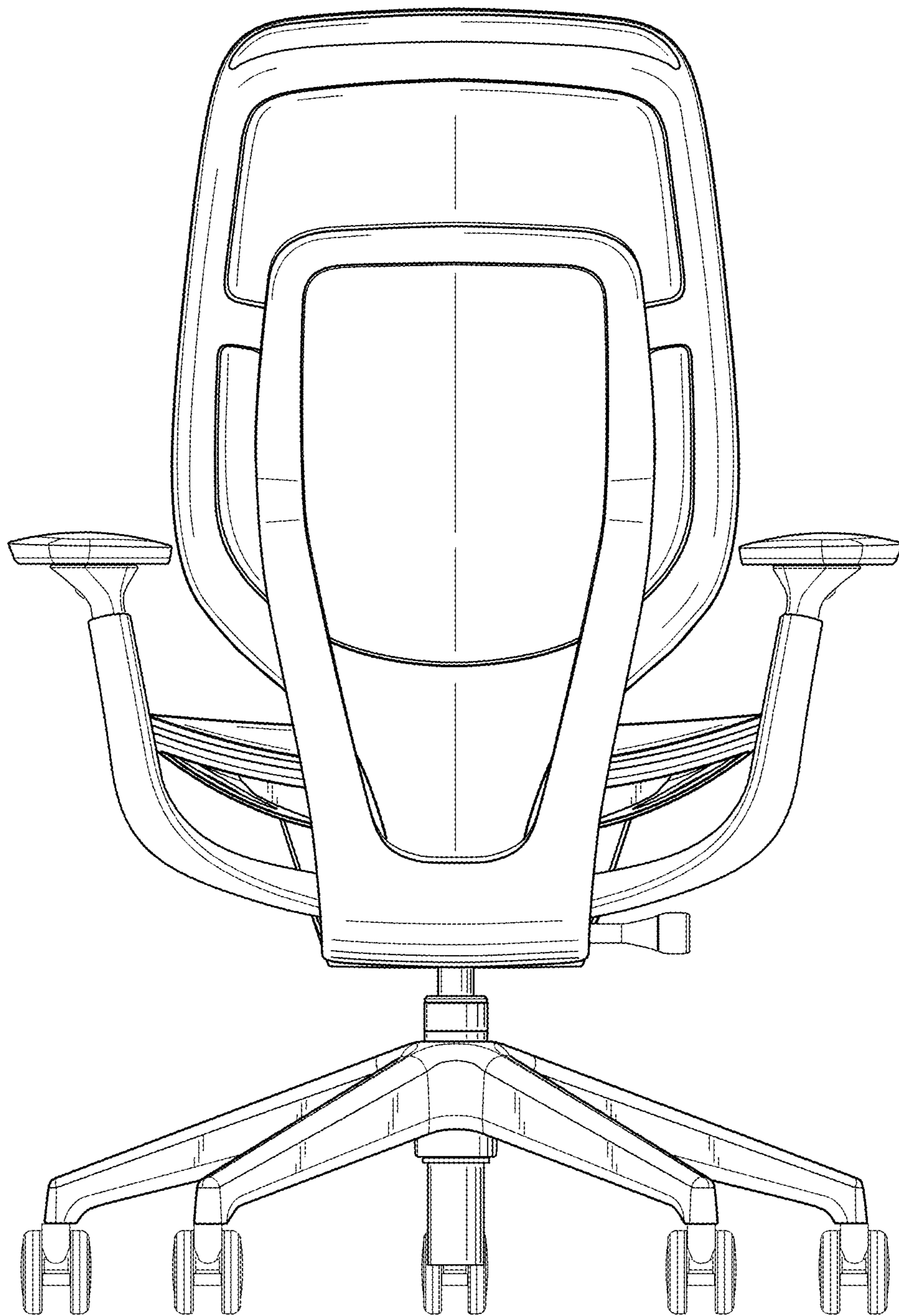


FIG. 7

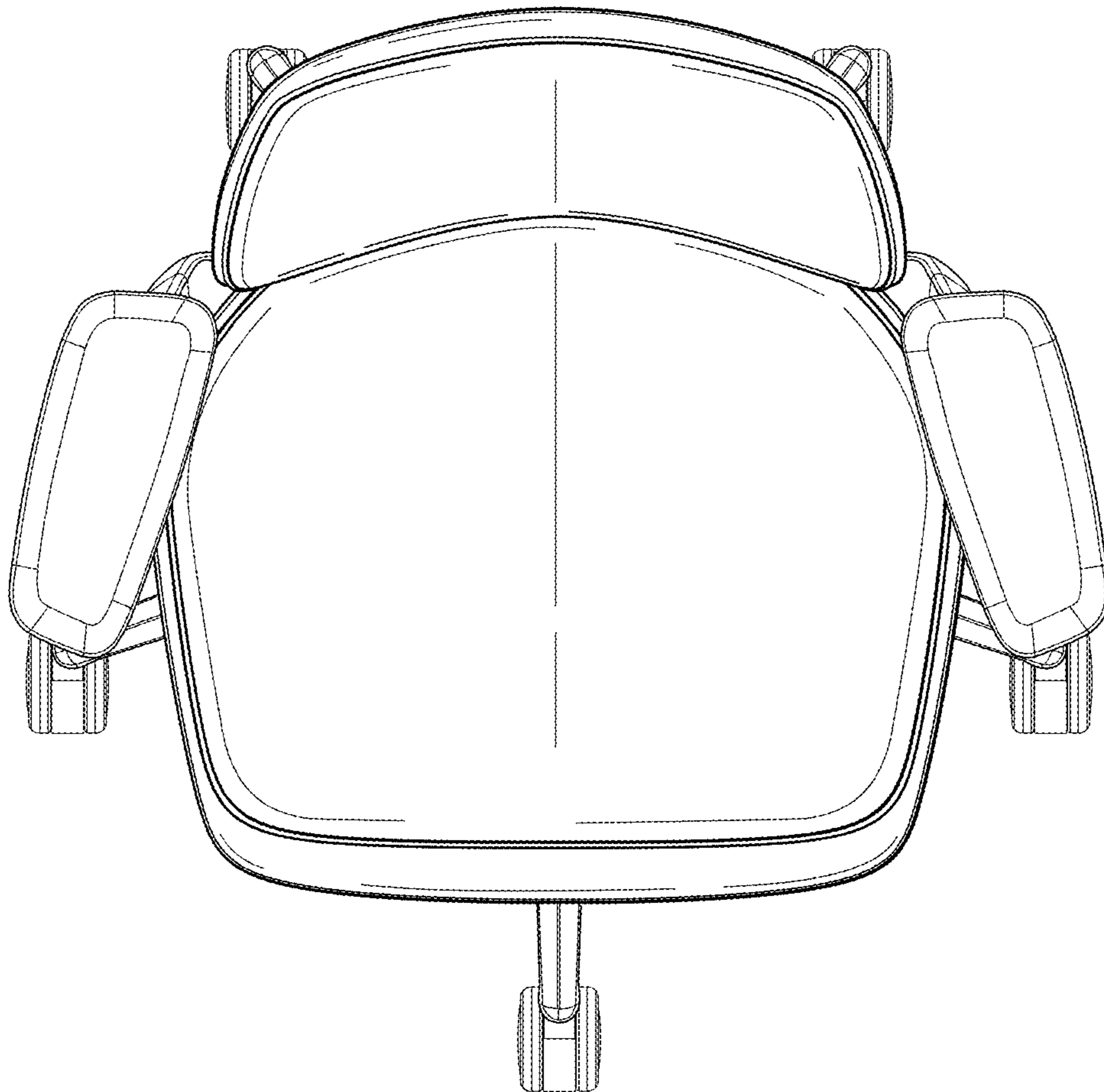


FIG. 8

