



US00D961280S

(12) **United States Design Patent**  
**Deevers et al.**

(10) **Patent No.:** **US D961,280 S**

(45) **Date of Patent:** **\*\* Aug. 23, 2022**

(54) **CHAIR**

(71) Applicant: **Steelcase Inc.**, Grand Rapids, MI (US)

(72) Inventors: **Nickolaus William Charles Deevers**, Holland, MI (US); **Kurt R. Heidmann**, Grand Rapids, MI (US); **Gordon J. Peterson**, Rockford, MI (US); **Mark Spoelhof**, Grand Rapids, MI (US); **James Ludwig**, Grand Rapids, MI (US)

(73) Assignee: **STEELCASE INC.**, Grand Rapids, MI (US)

(\*\*) Term: **15 Years**

(21) Appl. No.: **29/724,792**

(22) Filed: **Feb. 19, 2020**

(51) **LOC (13) Cl.** ..... **06-01**

(52) **U.S. Cl.**  
USPC ..... **D6/366**

(58) **Field of Classification Search**  
USPC ..... D6/334, 361, 364, 365, 366, 367, 379, D6/380, 716.1, 716.2, 716.4  
CPC .... A47C 3/00; A47C 3/18; A47C 3/20; A47C 3/026; A47C 1/00; A47C 1/02; A47C 1/022; A47C 1/03; A47C 1/14; A47C 1/143; A47C 7/24; A47C 7/36; A47C 7/46; A47C 7/18; A47C 7/40; A47C 7/54

See application file for complete search history.

(56) **References Cited**

**U.S. PATENT DOCUMENTS**

3,041,109	A	6/1962	Eames et al.
3,606,464	A	9/1971	Arbuthnot
4,545,614	A	10/1985	Abu-Isa et al.
4,555,136	A	11/1985	Dranger
4,555,139	A	11/1985	Leib
4,826,249	A	5/1989	Bradbury
4,869,554	A	9/1989	Abu-Isa et al.

5,354,120	A	10/1994	Völkle
5,457,968	A	10/1995	McClintock et al.
5,795,026	A	8/1998	Dral
5,855,991	A	1/1999	McLarty, III
6,050,646	A	4/2000	Stenzel et al.
6,341,822	B2	1/2002	Apissomian
6,632,756	B1	10/2003	Waldrop et al.
D487,359	S	3/2004	Giugiaro
6,729,691	B2	5/2004	Koepke et al.
6,749,261	B2	6/2004	Knoblock et al.
D496,813	S	10/2004	Nakajima
6,814,412	B2	11/2004	Cramb, III et al.

(Continued)

**FOREIGN PATENT DOCUMENTS**

JP	2012085897	A	5/2012
JP	2013-132403	A	7/2013
JP	2020062346	A	4/2020

**OTHER PUBLICATIONS**

Sedus brochure, "se:motion, Office swivel chair for agile working", obtained from the Internet at: [www.sedus.com](http://www.sedus.com), not dated, 20 pgs.

*Primary Examiner* — R. Johnson

(74) *Attorney, Agent, or Firm* — Crowell & Moring LLP

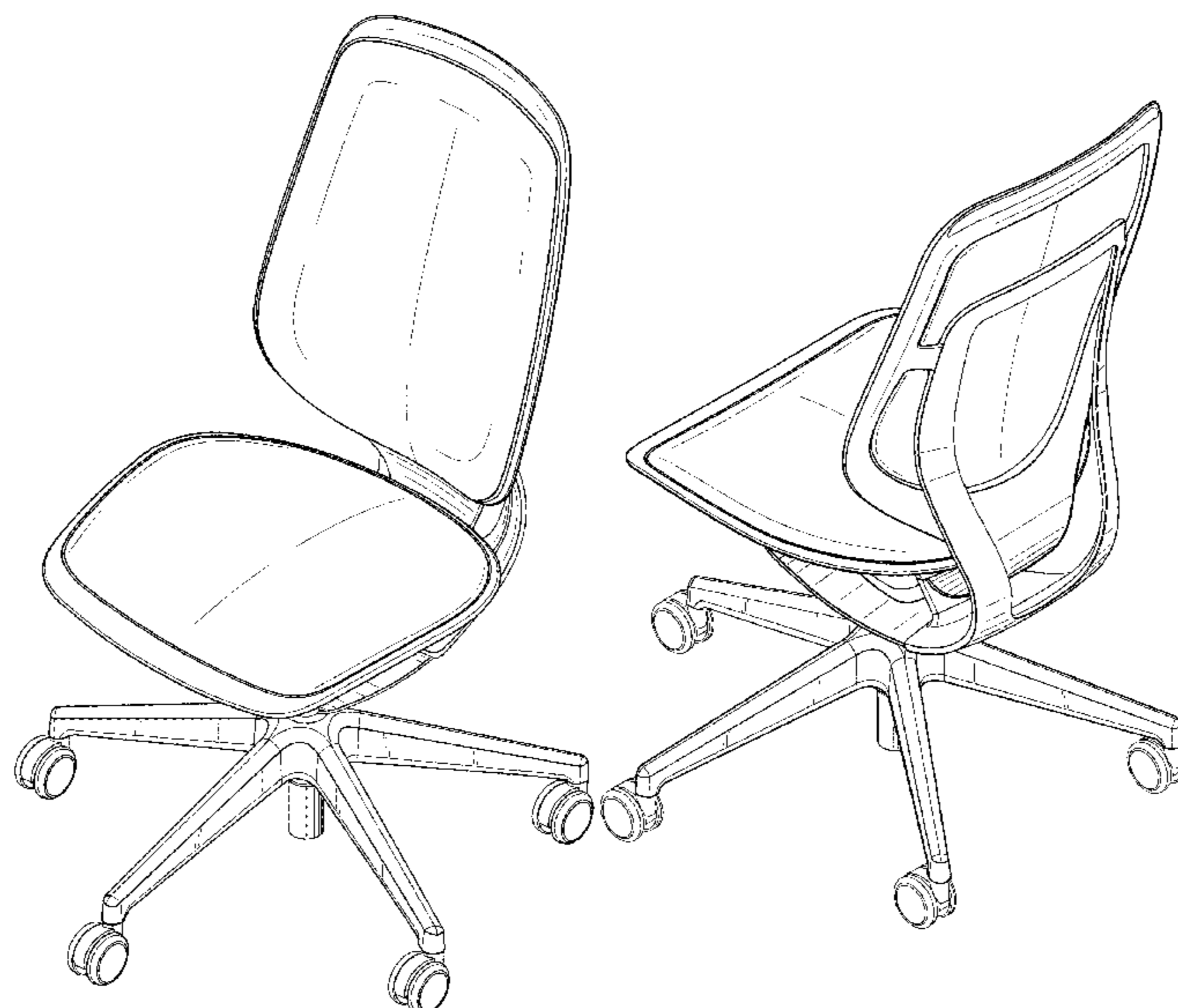
(57) **CLAIM**

The ornamental design for a chair, as shown and described.

**DESCRIPTION**

FIG. 1 is a front perspective view of a chair;  
FIG. 2 is a rear perspective view of the chair shown in FIG. 1;  
FIG. 3 is a right side view of the chair shown in FIG. 1;  
FIG. 4 is a left side view of the chair shown in FIG. 1;  
FIG. 5 is front view of the chair shown in FIG. 1;  
FIG. 6 is a rear view of the chair shown in FIG. 1;  
FIG. 7 is a top view of the chair shown in FIG. 1; and,  
FIG. 8 is a bottom view of the chair shown in FIG. 1.

**1 Claim, 8 Drawing Sheets**



(56)

References Cited

U.S. PATENT DOCUMENTS

6,951,370 B1	10/2005	Hsu	8,998,339 B2	4/2015	Peterson et al.
6,983,997 B2	1/2006	Wilkerson et al.	D733,445 S	7/2015	Izawa et al.
D517,820 S	3/2006	Citterio	D742,676 S	11/2015	Smith et al.
7,055,911 B2	6/2006	Simpson et al.	D742,677 S	11/2015	Smith et al.
D527,920 S	9/2006	Giugiaro	D742,678 S	11/2015	Smith et al.
D528,811 S	9/2006	Giugiaro	D750,406 S	3/2016	Smith et al.
7,159,943 B2	1/2007	Costaglia	9,560,917 B2	2/2017	Roslund, Jr.
D549,975 S *	9/2007	Fancelli ..... D6/366	D781,604 S	3/2017	Smith et al.
D555,377 S	11/2007	Pensi	D781,605 S	3/2017	Smith et al.
D557,917 S	12/2007	Nakamura	9,622,579 B2	4/2017	Wilkinson et al.
D576,809 S	9/2008	Christianson et al.	9,648,957 B2	5/2017	Su
7,425,039 B2	9/2008	Lin	D792,717 S	7/2017	Webb
7,441,839 B2	10/2008	Pennington et al.	D802,951 S	11/2017	Ludwig et al.
7,568,765 B2	8/2009	Bräuning	D802,952 S	11/2017	Ludwig et al.
7,712,833 B2	5/2010	Ueda	D804,209 S	12/2017	Ludwig et al.
7,837,272 B2	11/2010	Masunaga et al.	D804,839 S	12/2017	Ludwig et al.
D641,983 S *	7/2011	Hazzard ..... D6/366	D804,840 S	12/2017	Ludwig et al.
D646,088 S	10/2011	Ballendat	D804,841 S	12/2017	Ludwig et al.
8,087,727 B2	1/2012	Parker et al.	D804,875 S	12/2017	Ludwig et al.
8,113,582 B2	2/2012	Liu	D804,876 S	12/2017	Ludwig et al.
D658,904 S	5/2012	Chen	D808,187 S	1/2018	Ludwig et al.
D663,129 S	7/2012	Greutmann	D821,793 S	7/2018	Ludwig et al.
8,251,448 B2	8/2012	Machael	D825,971 S *	8/2018	Scagnellato ..... D6/716
D675,456 S	2/2013	Sexton	D834,844 S	12/2018	Chan et al.
D683,150 S	5/2013	Smith et al.	10,173,567 B2	1/2019	Madrigal et al.
D683,151 S	5/2013	Smith et al.	D852,525 S *	7/2019	Peterson ..... D6/366
D688,497 S	8/2013	Smith et al.	D852,526 S	7/2019	Peterson
D688,498 S	8/2013	Smith et al.	D863,802 S	10/2019	Wang
D688,499 S	8/2013	Smith et al.	D869,872 S	12/2019	Deevers
D688,500 S	8/2013	Smith et al.	D870,479 S	12/2019	Deevers et al.
D688,501 S	8/2013	Smith et al.	D873,043 S	1/2020	Su
D688,503 S	8/2013	Smith et al.	D873,576 S	1/2020	Engelhardt
D688,504 S	8/2013	Smith et al.	D874,202 S	2/2020	Schmitz et al.
D688,505 S	8/2013	Smith et al.	D878,789 S	3/2020	Wang
D689,312 S	9/2013	Smith et al.	D879,523 S	3/2020	Lampela et al.
D689,313 S	9/2013	Smith et al.	D880,885 S	4/2020	Li
D689,314 S	9/2013	Smith et al.	D881,621 S	4/2020	Jin et al.
D689,317 S	9/2013	Smith et al.	10,617,226 B1 *	4/2020	Liao ..... A47C 7/282
D689,318 S	9/2013	Smith et al.	D883,690 S	5/2020	Dassen
D690,146 S	9/2013	Smith et al.	D883,691 S *	5/2020	Dassen ..... D6/366
D690,547 S	10/2013	Smith et al.	D887,157 S *	6/2020	Holbrook ..... D6/366
D694,536 S	12/2013	Smith et al.	D899,836 S *	10/2020	Chu ..... D6/716
D694,537 S	12/2013	Smith et al.	D902,614 S	11/2020	Peng
D694,538 S	12/2013	Smith et al.	D903,353 S	12/2020	Meda
D694,539 S	12/2013	Smith et al.	D906,711 S	1/2021	Li
D694,540 S	12/2013	Smith et al.	D907,935 S *	1/2021	Deevers ..... D6/366
D695,034 S	12/2013	Smith et al.	D908,381 S	1/2021	Breen
D697,726 S	1/2014	Smith et al.	D912,419 S	3/2021	Chen
D697,728 S	1/2014	Smith et al.	2003/0189367 A1	10/2003	Erker
D697,729 S	1/2014	Smith et al.	2007/0057560 A1	3/2007	Fookes
D697,730 S	1/2014	Smith et al.	2007/0108821 A1	5/2007	Ueda
D698,164 S	1/2014	Smith et al.	2008/0100121 A1 *	5/2008	Serber ..... A47C 1/023 297/452.1
D698,165 S	1/2014	Smith et al.	2009/0018833 A1	1/2009	Kozat et al.
D698,166 S	1/2014	Smith et al.	2009/0261644 A1	10/2009	Piretti
D699,957 S	2/2014	Smith et al.	2011/0233979 A1	9/2011	An
D699,958 S	2/2014	Smith et al.	2013/0341980 A1	12/2013	Halliday et al.
D699,959 S	2/2014	Smith et al.	2014/0077429 A1	3/2014	Batthey
D699,994 S	2/2014	Smith et al.	2014/0077541 A1	3/2014	Krupiczewicz
D701,053 S	3/2014	Smith et al.	2014/0077548 A1	3/2014	Peterson
8,690,249 B2	4/2014	Kang et al.	2016/0220025 A1	8/2016	Piretti
D707,976 S *	7/2014	Smith ..... D6/366	2018/0310721 A1	11/2018	Schmitz et al.
D708,882 S	7/2014	Hsuan-Chin	2020/0085194 A1	3/2020	Maier et al.
8,794,701 B2	8/2014	Nakayama et al.	2020/0305610 A1	10/2020	Bock

\* cited by examiner

FIG. 1

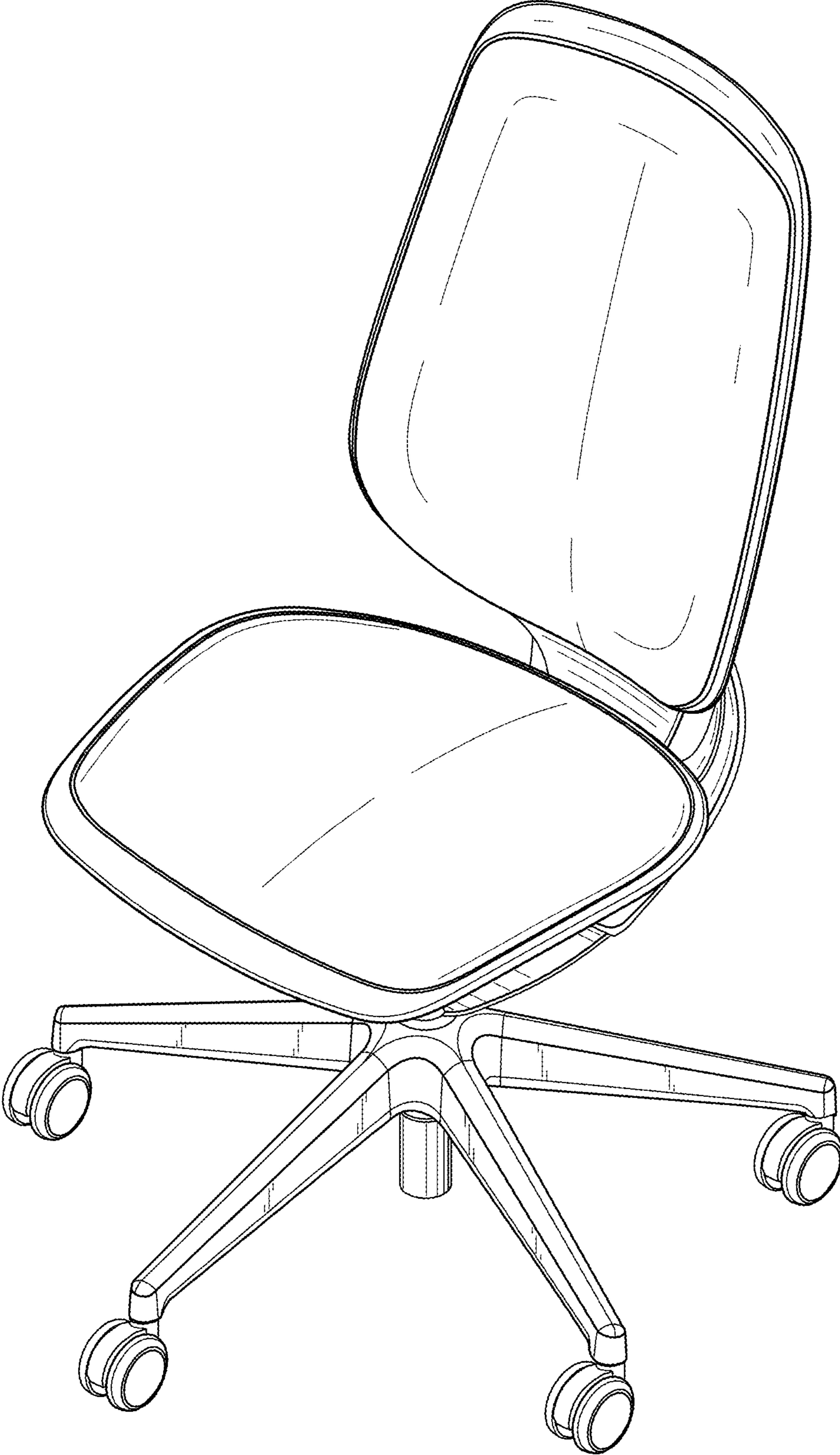


FIG. 2



FIG. 3

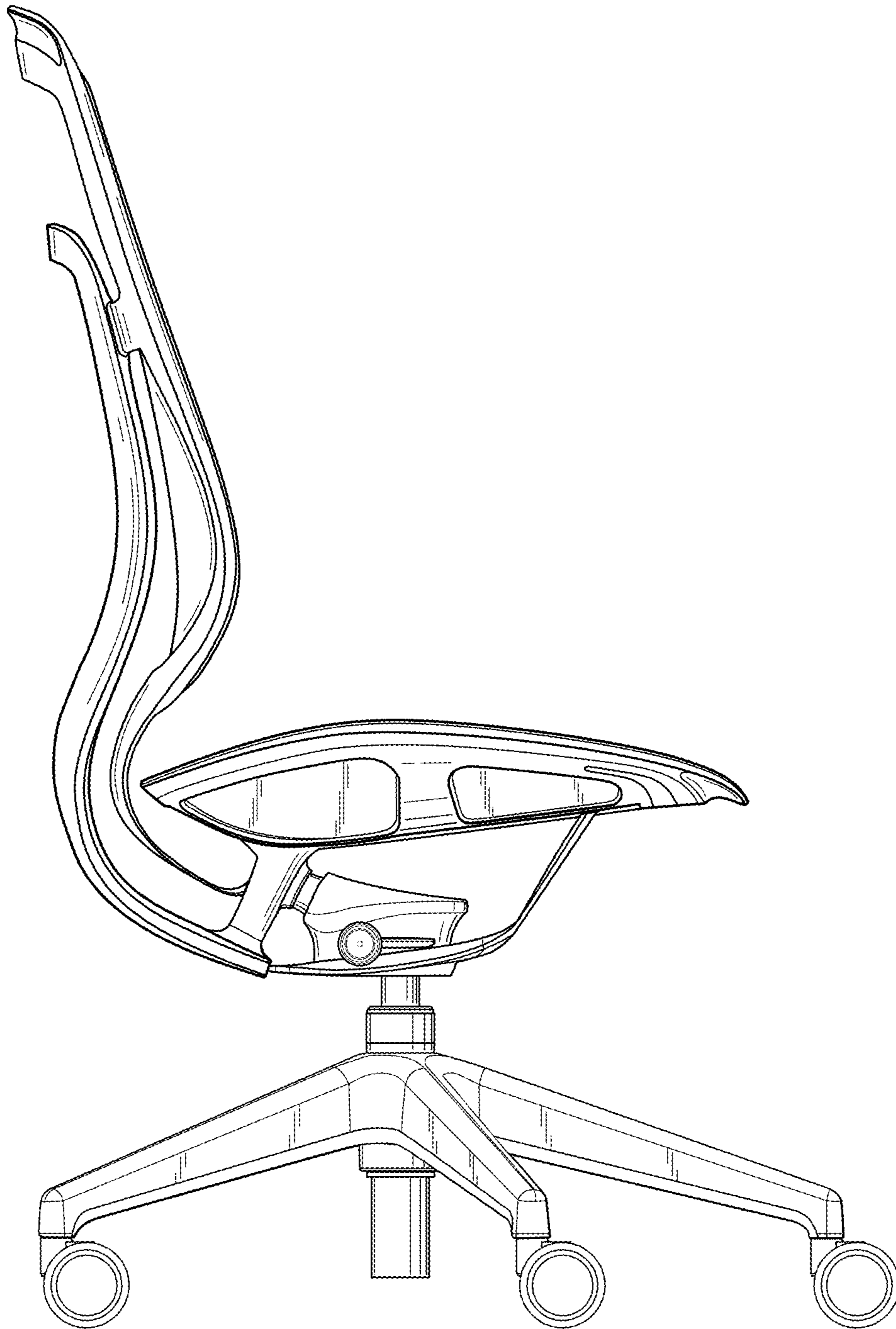


FIG. 4

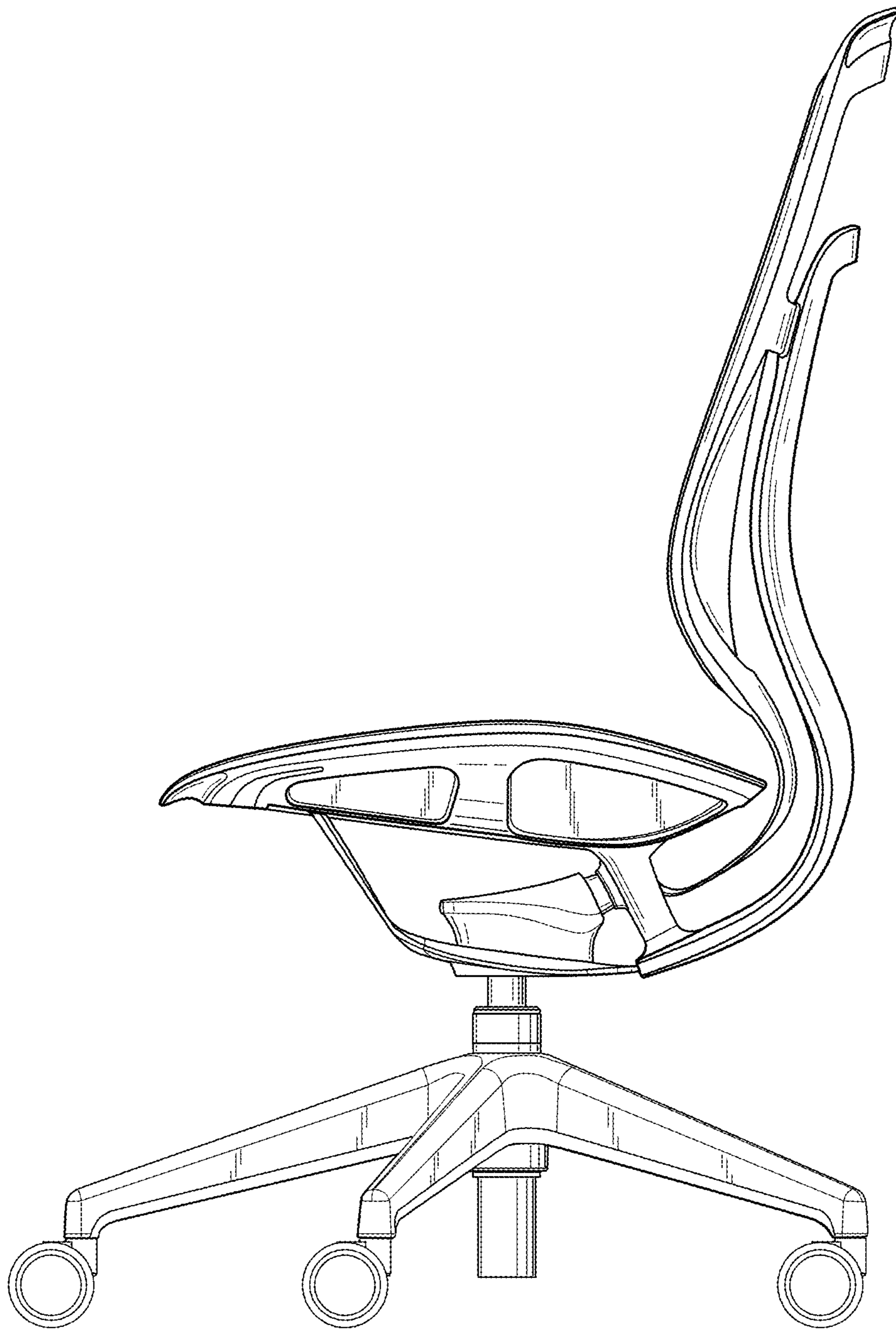


FIG. 5

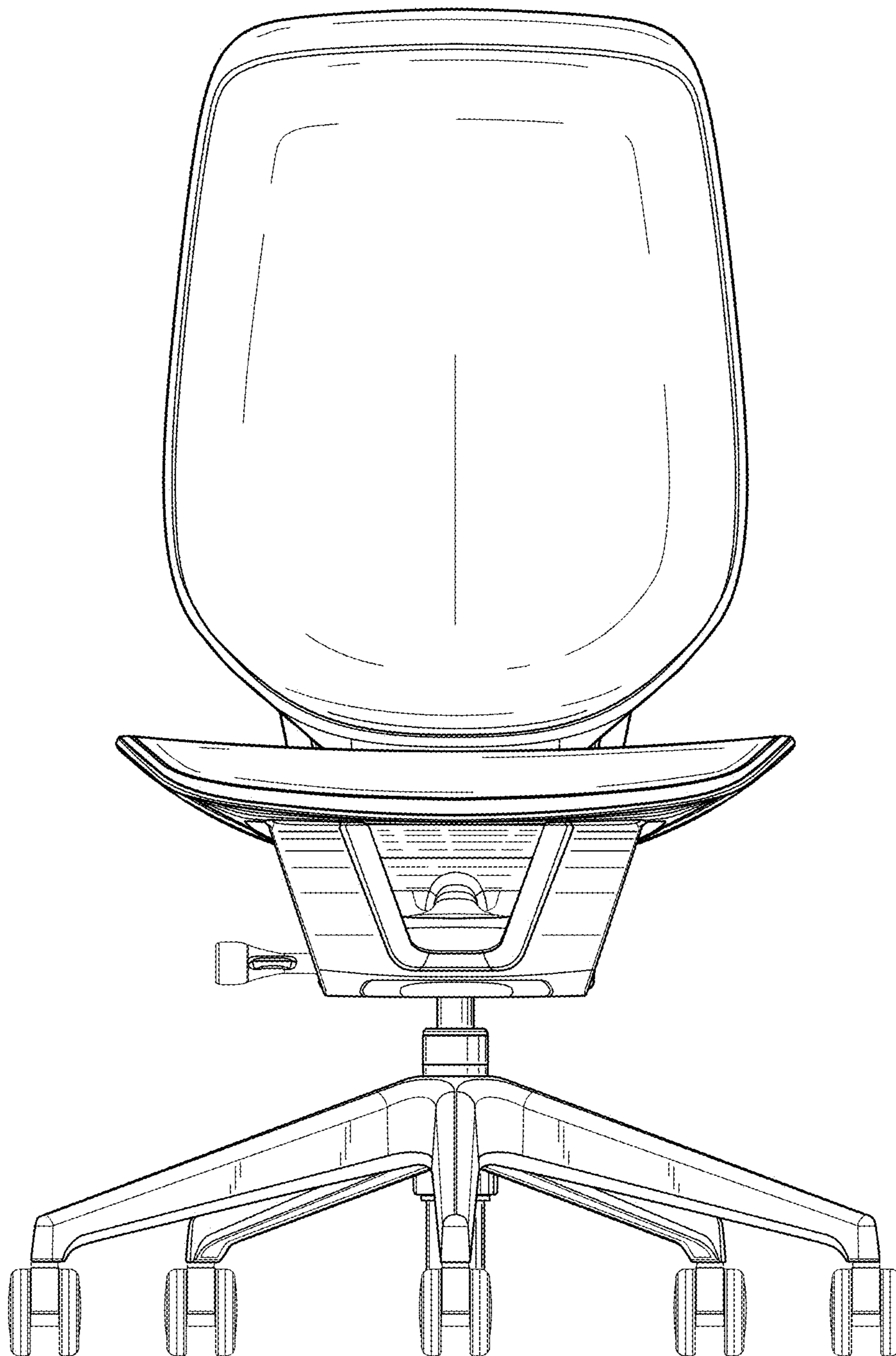


FIG. 6

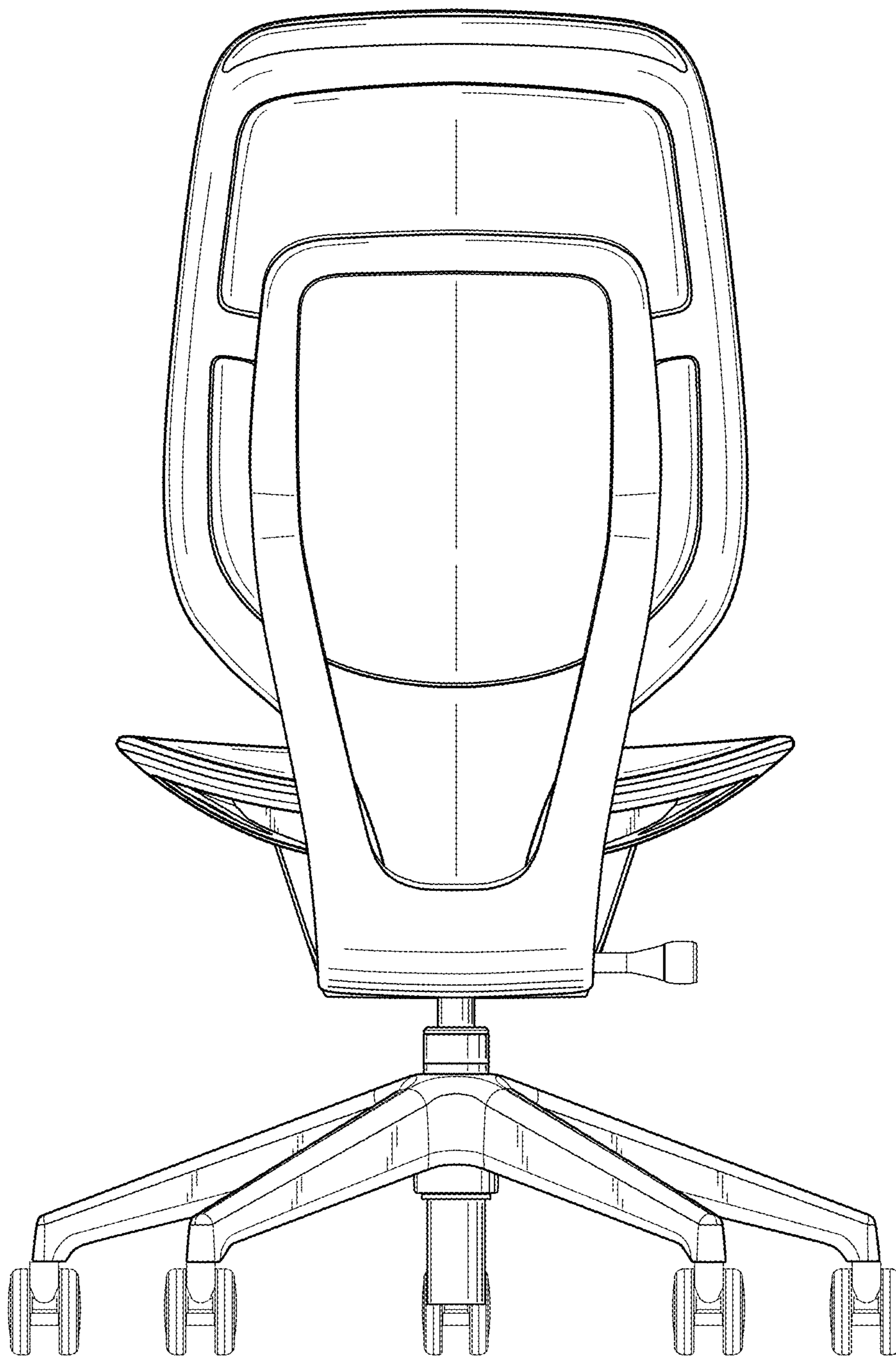




FIG. 7

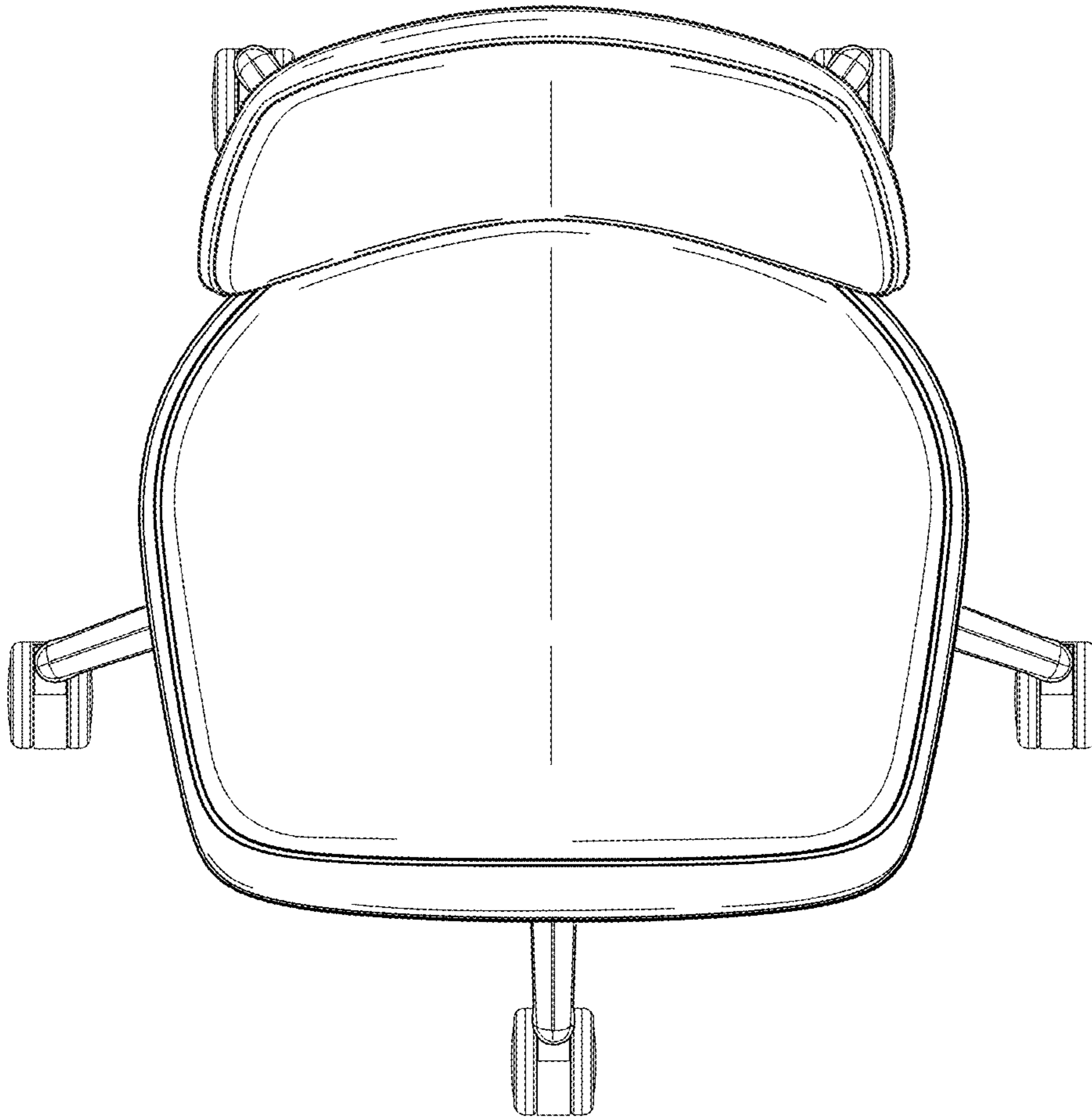


FIG. 8

