



US00D961277S

(12) **United States Design Patent**
Williamson

(10) **Patent No.:** **US D961,277 S**

(45) **Date of Patent:** **** Aug. 23, 2022**

(54) **SLANT STAND WITH MIRROR**

(71) Applicant: **Latascha Williamson**, Saint Johns, FL
(US)

(72) Inventor: **Latascha Williamson**, Saint Johns, FL
(US)

(**) Term: **15 Years**

(21) Appl. No.: **29/721,802**

(22) Filed: **Jan. 23, 2020**

(51) **LOC (13) Cl.** **06-06**

(52) **U.S. Cl.**
USPC **D6/300; D19/113**

(58) **Field of Classification Search**
USPC D6/300-314; D19/59, 60, 86, 90, 91,
D19/113

CPC G09B 19/04; A47G 1/02
See application file for complete search history.

(56) **References Cited**

U.S. PATENT DOCUMENTS

D315,366 S *	3/1991	Greenspahn	D19/113
5,169,316 A *	12/1992	Lorman	G09B 19/04 428/912.2
D404,576 S *	1/1999	McEachen	D19/113
5,868,367 A	2/1999	Smith		
D410,683 S *	6/1999	Carter	D6/311
6,626,675 B1	9/2003	Webber		
6,925,739 B1	8/2005	Cole		
D531,822 S *	11/2006	Massaud	D6/310

D566,765 S *	4/2008	Gerules	D19/113
D569,433 S *	5/2008	Gerules	D19/113
7,857,278 B2	12/2010	Yoshida		
D646,904 S *	10/2011	Feldstein	D6/310
D678,419 S *	3/2013	Keyvanloo	D6/310
D683,141 S *	5/2013	Symons	D6/310
D753,760 S *	4/2016	Perks	D17/99
D907,032 S *	1/2021	Solomon	D21/324
D920,326 S *	5/2021	Solomon	D21/324
D935,202 S *	11/2021	Yang	D6/310
D939,844 S *	1/2022	Park	D6/310
D942,157 S *	2/2022	Holzmann	D6/300
D954,042 S *	6/2022	Solomon	D21/324
2002/0020789 A1	2/2002	Li		

* cited by examiner

Primary Examiner — Deanna L Pratt

(74) *Attorney, Agent, or Firm* — Lawrence J. Gibney, Jr.

(57) **CLAIM**

The ornamental design for a slant stand with mirror, as shown and described.

DESCRIPTION

FIG. 1 is a front isometric view of a slant stand with mirror showing my new design;

FIG. 2 is a back isometric view thereof;

FIG. 3 is a front elevational view thereof;

FIG. 4 is a back elevational view thereof;

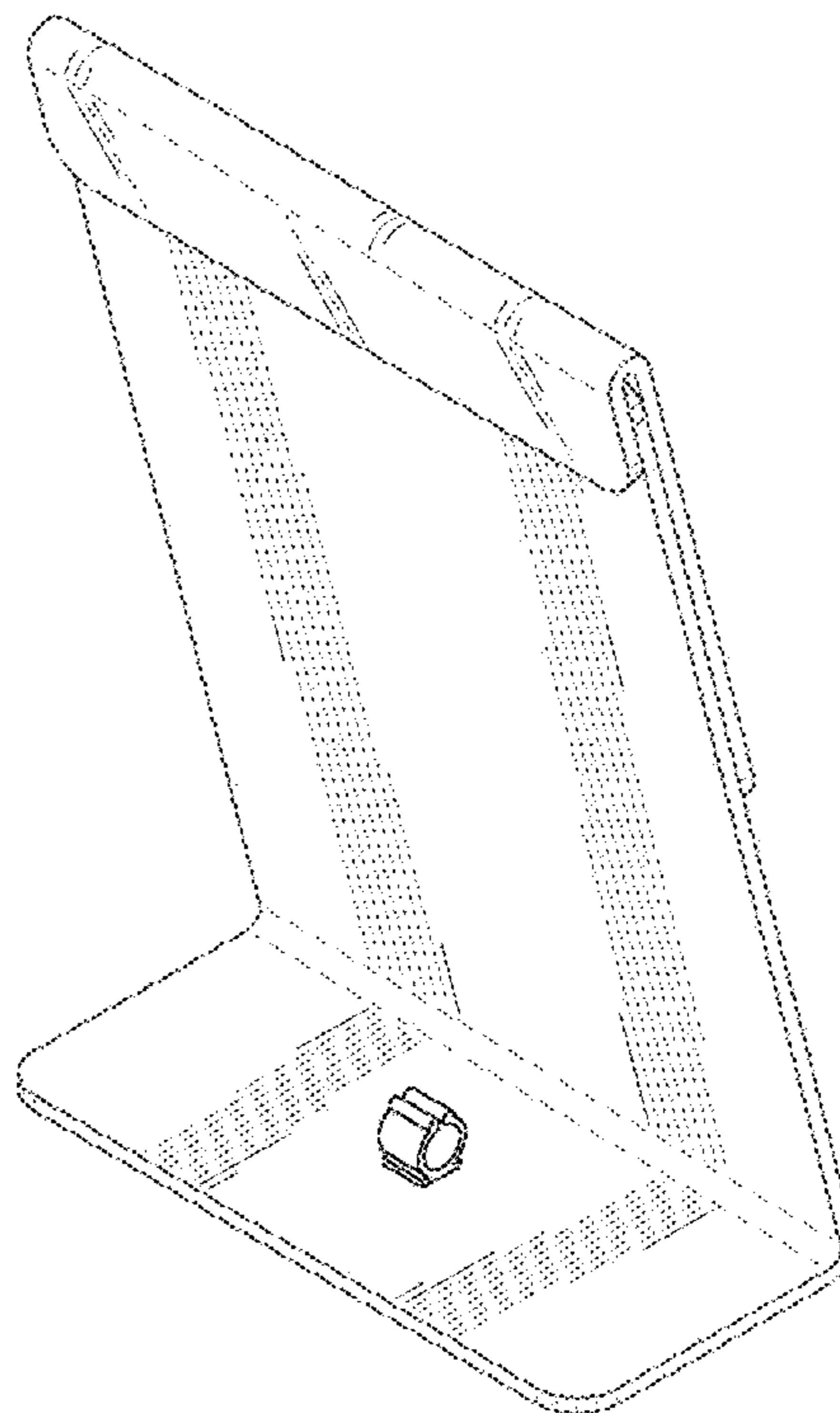
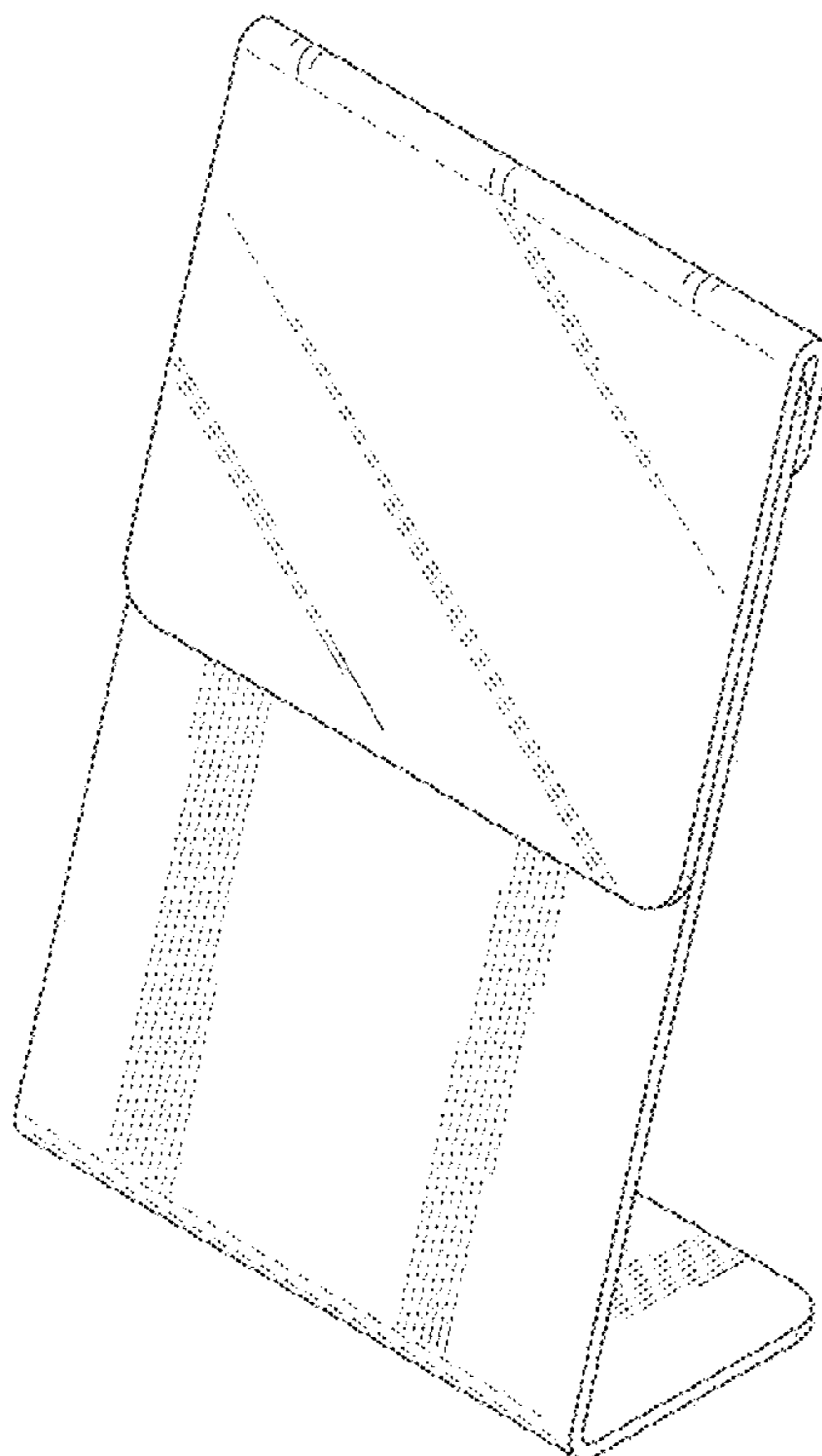
FIG. 5 is a side elevational view thereof;

FIG. 6 is a top elevational view thereof;

FIG. 7 is a bottom elevational view thereof; and,

FIG. 8 is an exploded view of the slant stand with mirror.

1 Claim, 7 Drawing Sheets



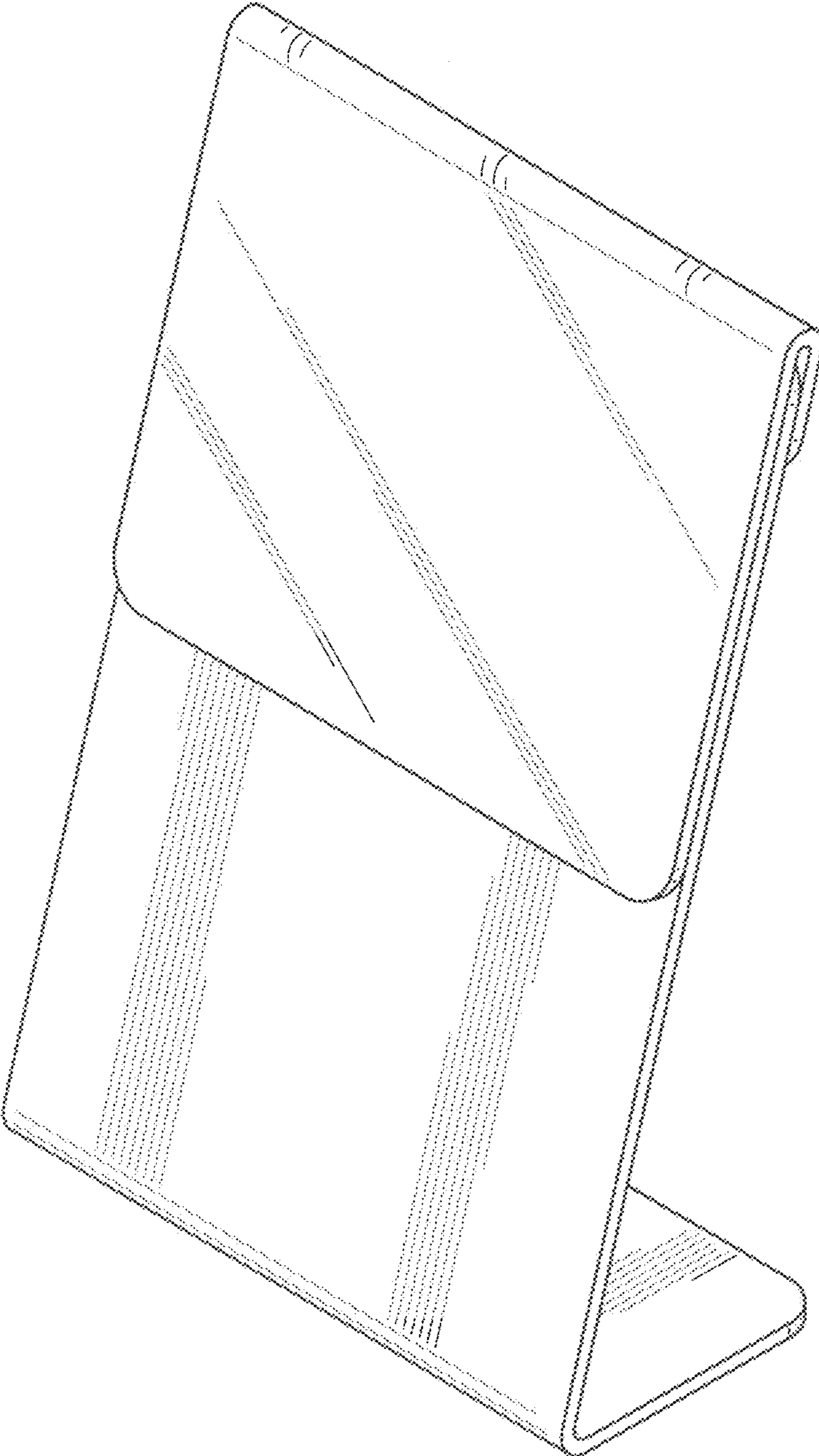


FIG. 1

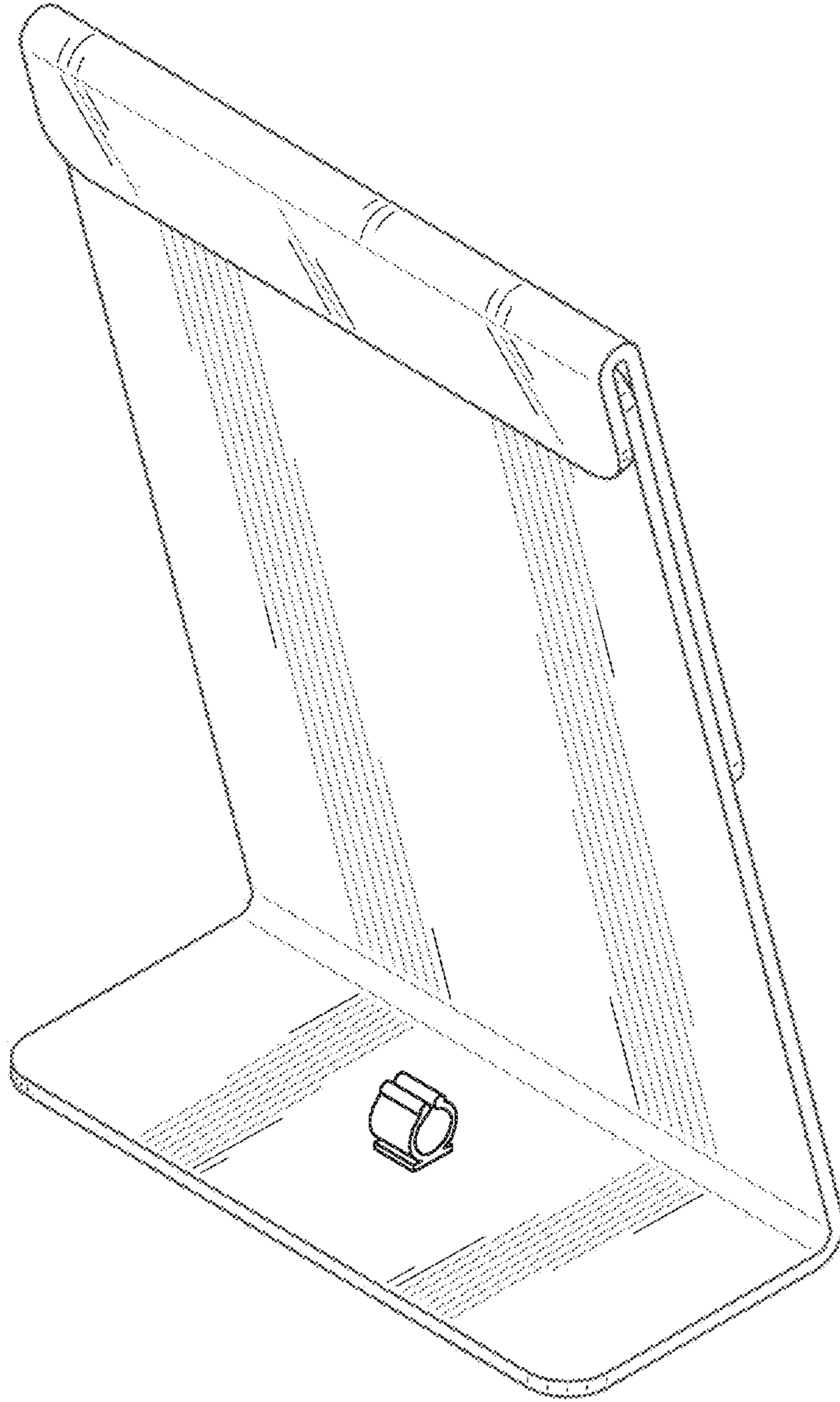


FIG. 2

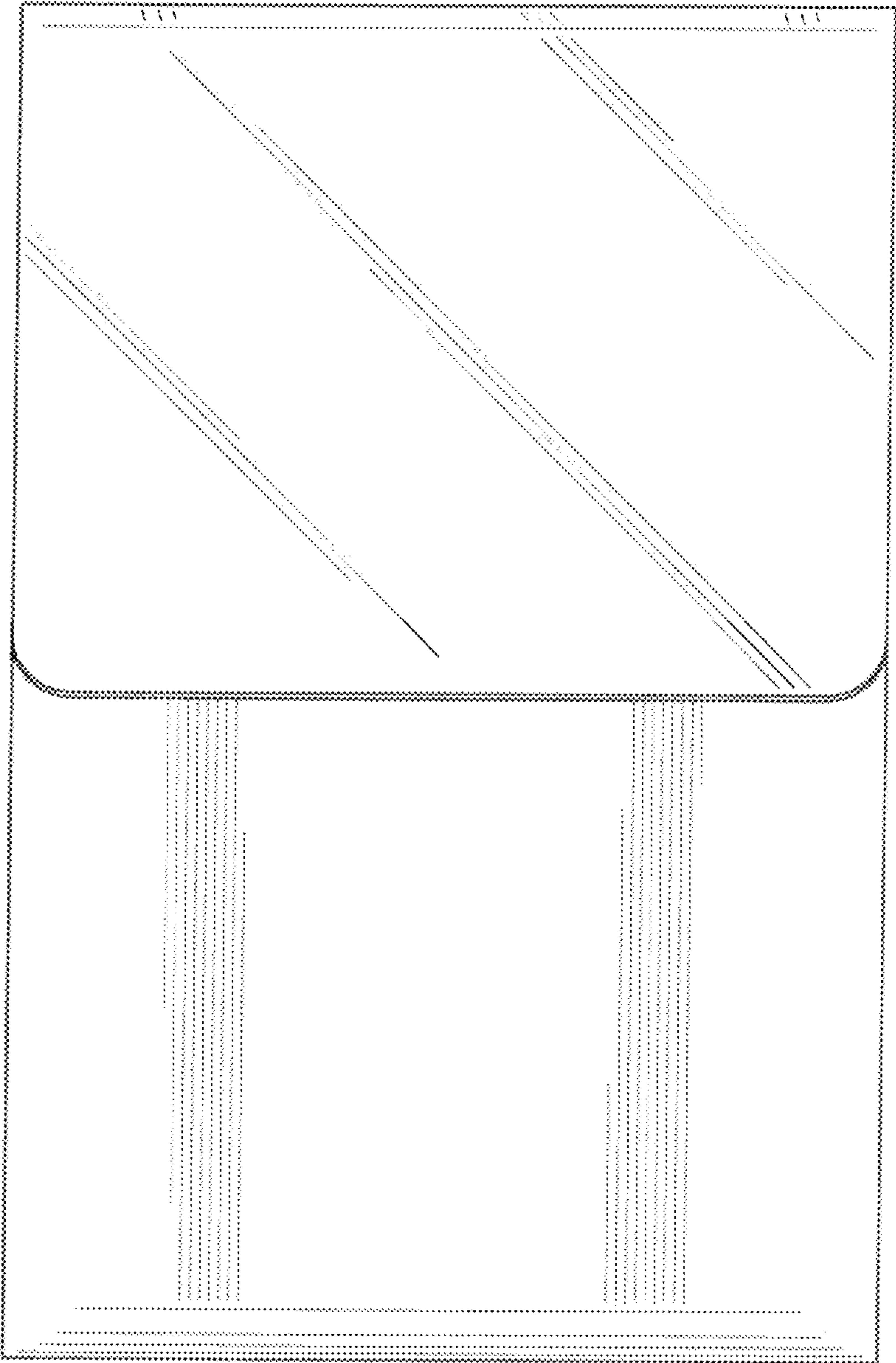


FIG. 3

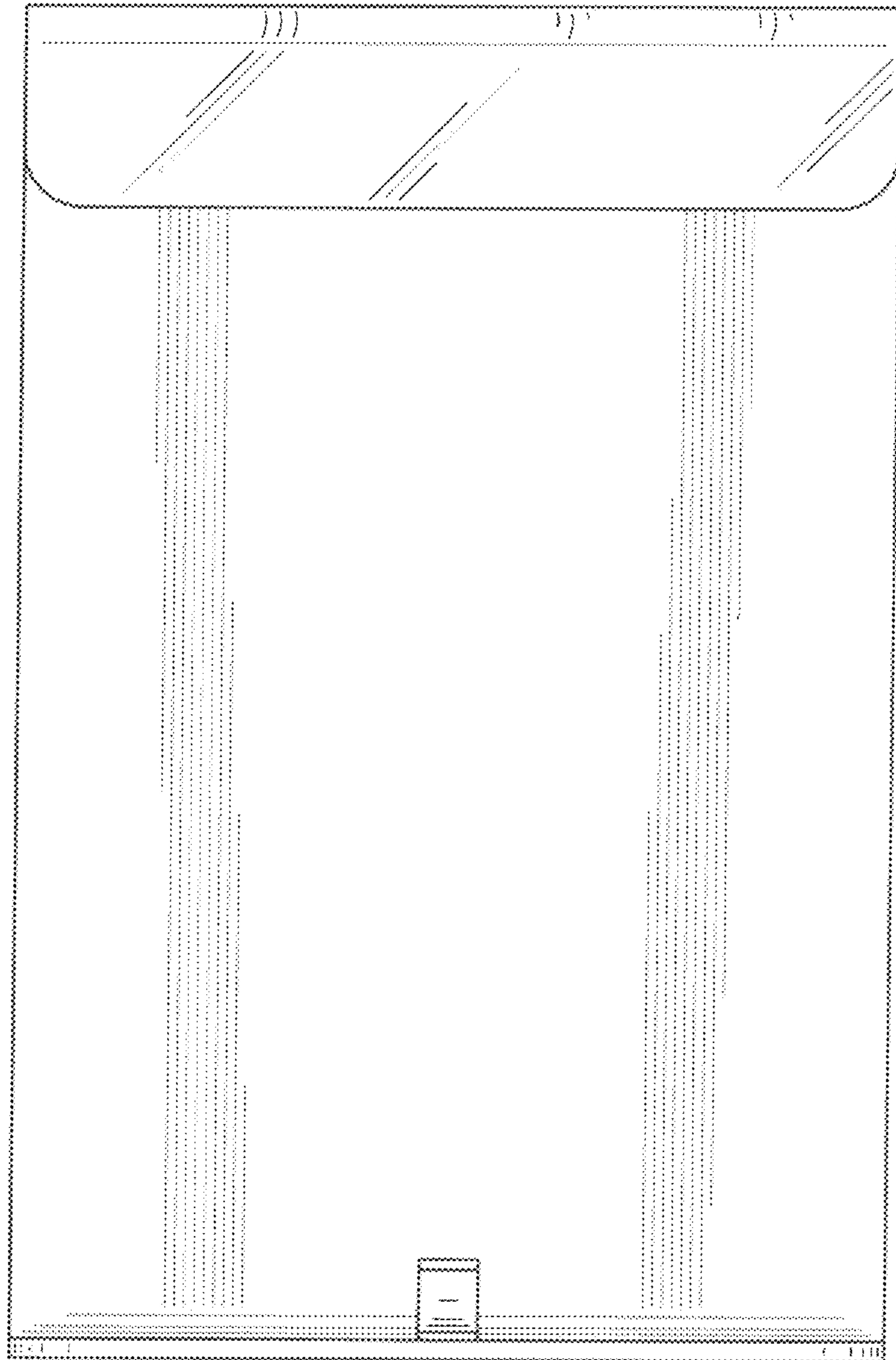


FIG. 4

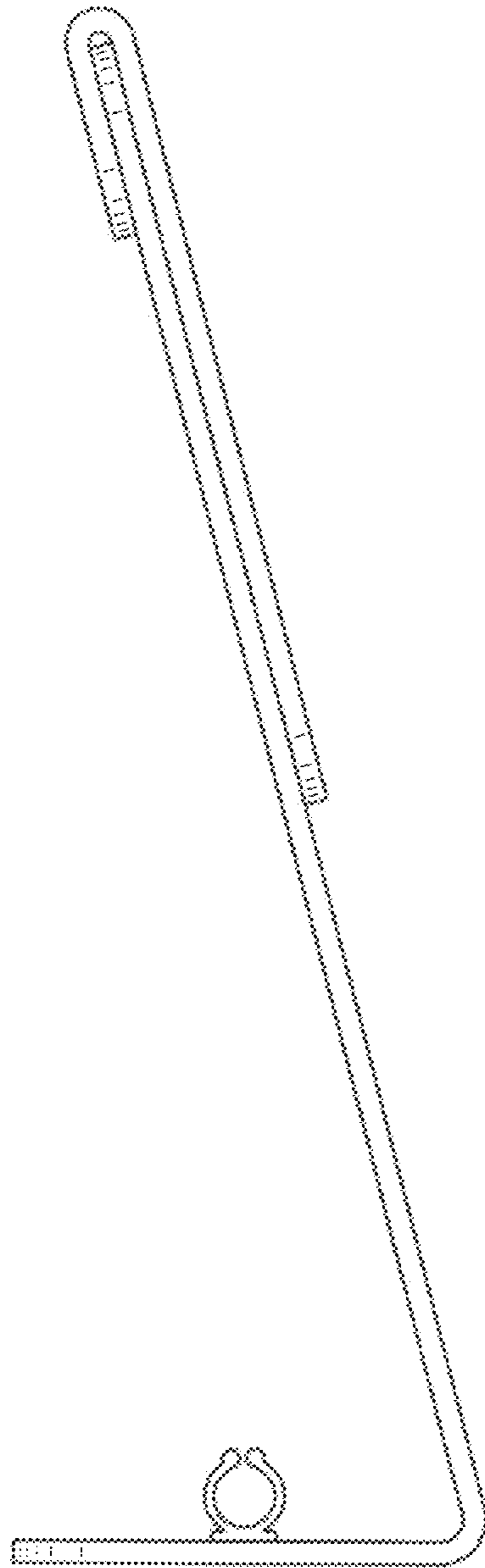


FIG. 5

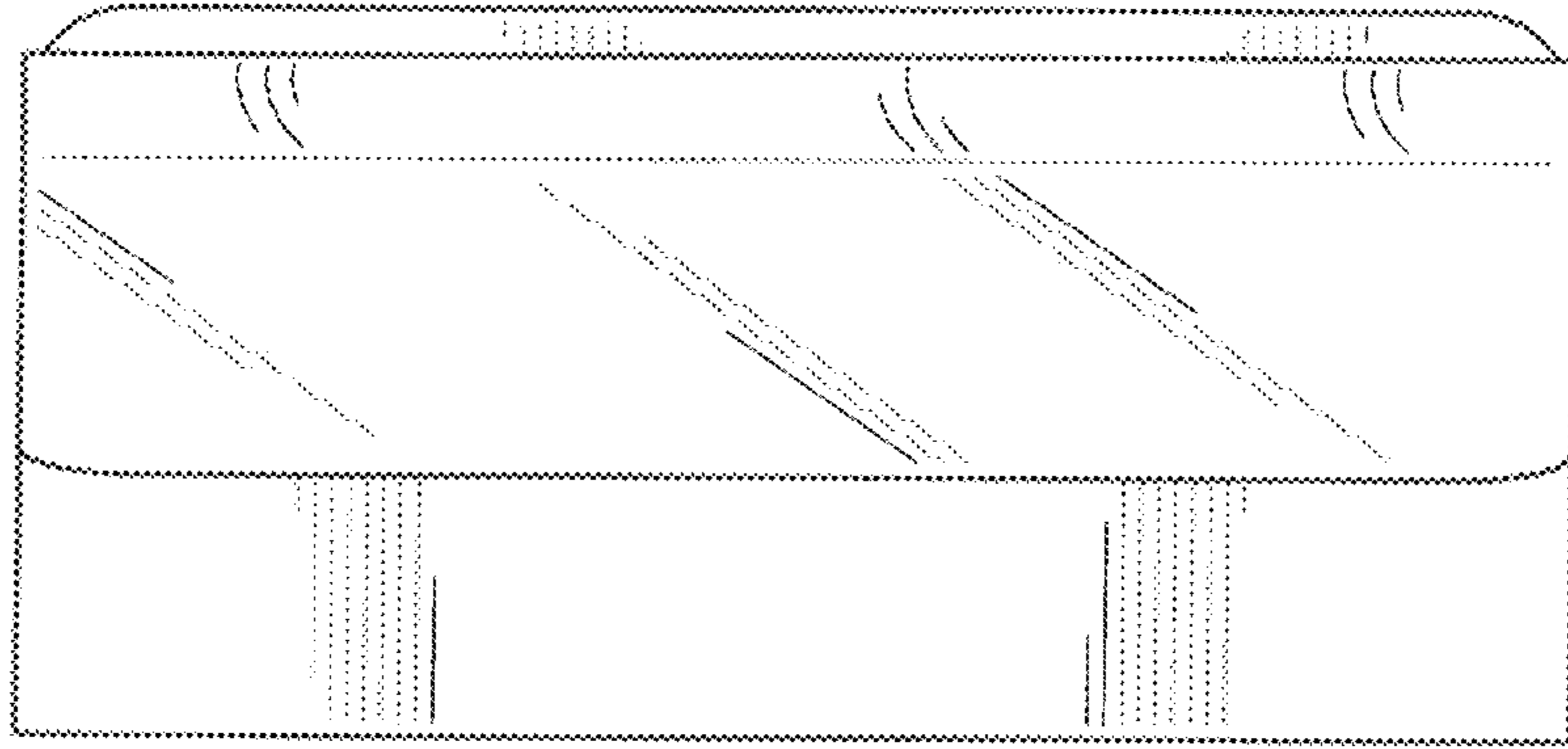


FIG. 6

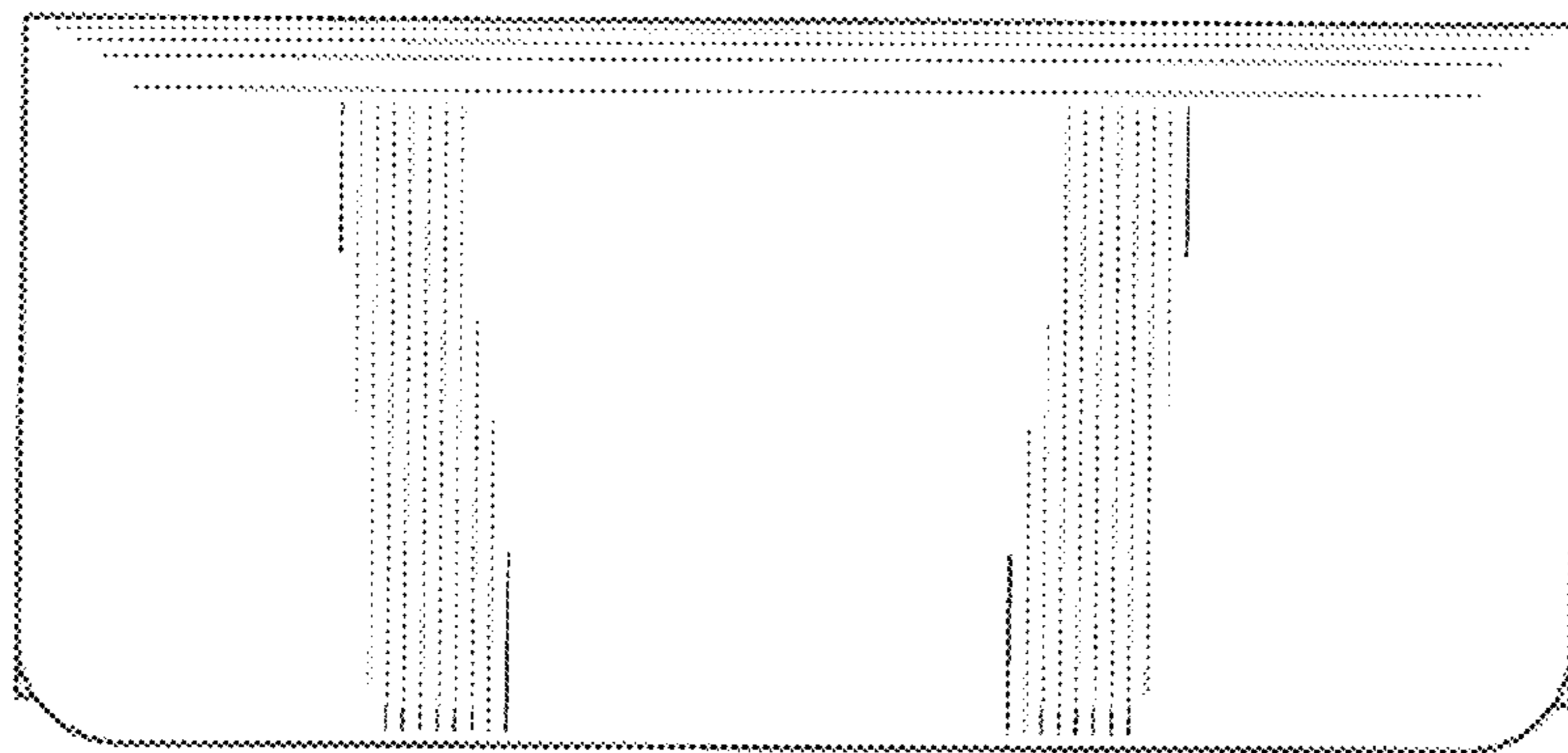


FIG. 7

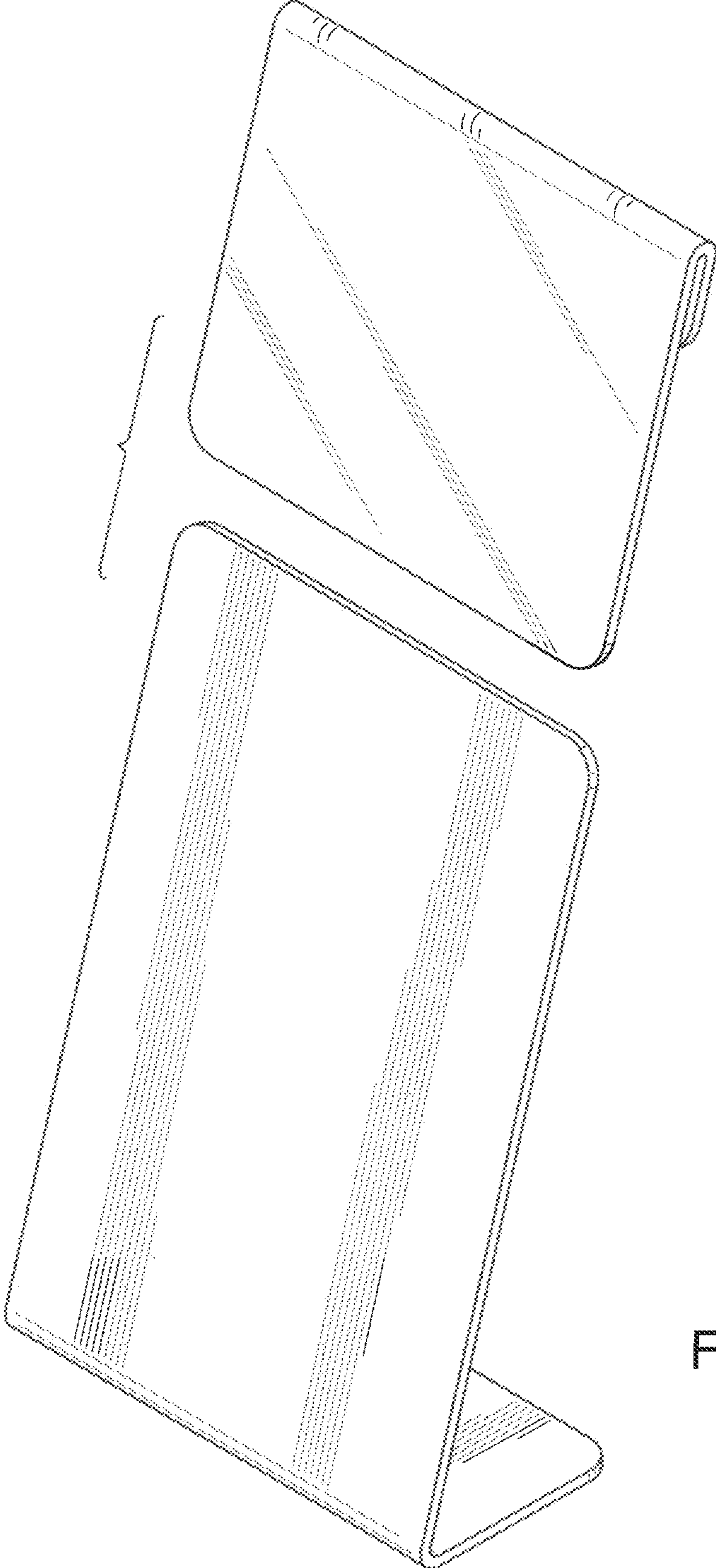


FIG. 8