



US00D961273S

(12) **United States Design Patent**  
**Jiang**

(10) **Patent No.:** **US D961,273 S**

(45) **Date of Patent:** **\*\* Aug. 23, 2022**

- (54) **SIDE BRUSH**
- (71) Applicant: **Anker Innovations Technology Co., Ltd.**, Changsha (CN)
- (72) Inventor: **Fangyuan Jiang**, Changsha (CN)
- (73) Assignee: **Anker Innovations Technology Co., Ltd.**, Changsha (CN)
- (\*\*) Term: **15 Years**
- (21) Appl. No.: **29/753,410**
- (22) Filed: **Sep. 30, 2020**
- (51) **LOC (13) Cl.** ..... **04-01**
- (52) **U.S. Cl.**  
USPC ..... **D4/138**
- (58) **Field of Classification Search**  
USPC ..... D4/100, 102, 114, 115, 116, 117, 118,  
D4/119, 120, 121, 122, 123, 124, 125,  
D4/126, 127, 128, 129, 130, 131, 132,  
D4/133, 134, 135, 136, 137, 138, 199  
CPC .. A46B 3/12; A46B 5/02; A46B 5/021; A46B  
2200/3073; A46B 2200/30  
See application file for complete search history.

- 4,417,826 A \* 11/1983 Floros ..... A46B 13/06  
401/184
- D346,698 S \* 5/1994 Hinnant ..... D4/114
- D357,810 S \* 5/1995 Evans ..... D4/114
- D404,125 S \* 1/1999 Weinstein ..... D28/7
- D447,635 S \* 9/2001 Smith ..... D4/114
- D485,990 S \* 2/2004 Wallace ..... D4/115
- D523,642 S \* 6/2006 Hollinger ..... D4/134
- D524,545 S \* 7/2006 Hinnant ..... D4/114
- D919,299 S \* 5/2021 Jin ..... D4/134

\* cited by examiner

*Primary Examiner* — Karen E Eldridge Powers  
(74) *Attorney, Agent, or Firm* — Banner & Witcoff, Ltd.

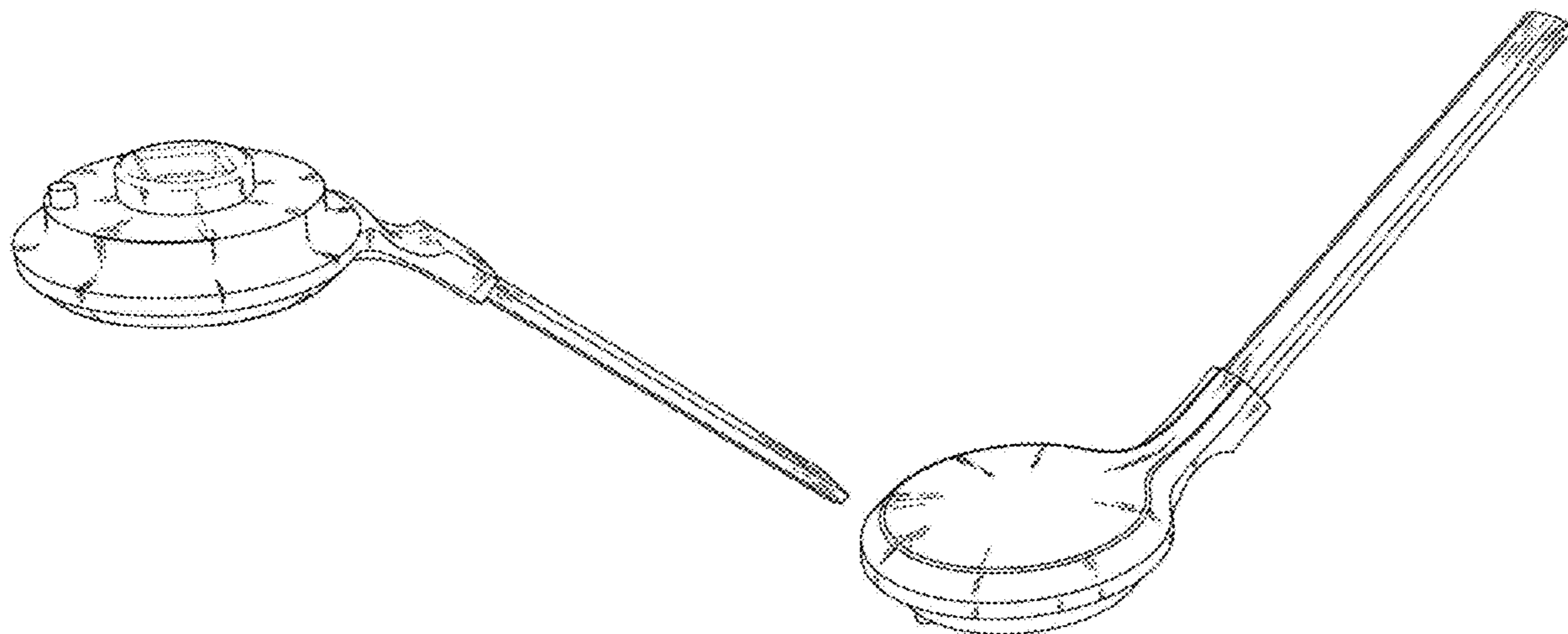
(57) **CLAIM**

The ornamental design for a side brush, as shown and described.

**DESCRIPTION**

FIG. 1 is a front elevation view of a side brush in accordance with the present invention;  
 FIG. 2 is a rear elevation view of the side brush thereof;  
 FIG. 3 is a left side elevation view thereof;  
 FIG. 4 is a rear elevation view thereof;  
 FIG. 5 is a top plan view thereof;  
 FIG. 6 is a bottom plan view thereof;  
 FIG. 7 is a bottom and left side perspective view thereof;  
 and,  
 FIG. 8 is a front, top and right side perspective view thereof.  
 The features shown in broken lines in the drawings illustrate portions of the article in which the design is embodied or applied that form no part of the claim.

**1 Claim, 8 Drawing Sheets**



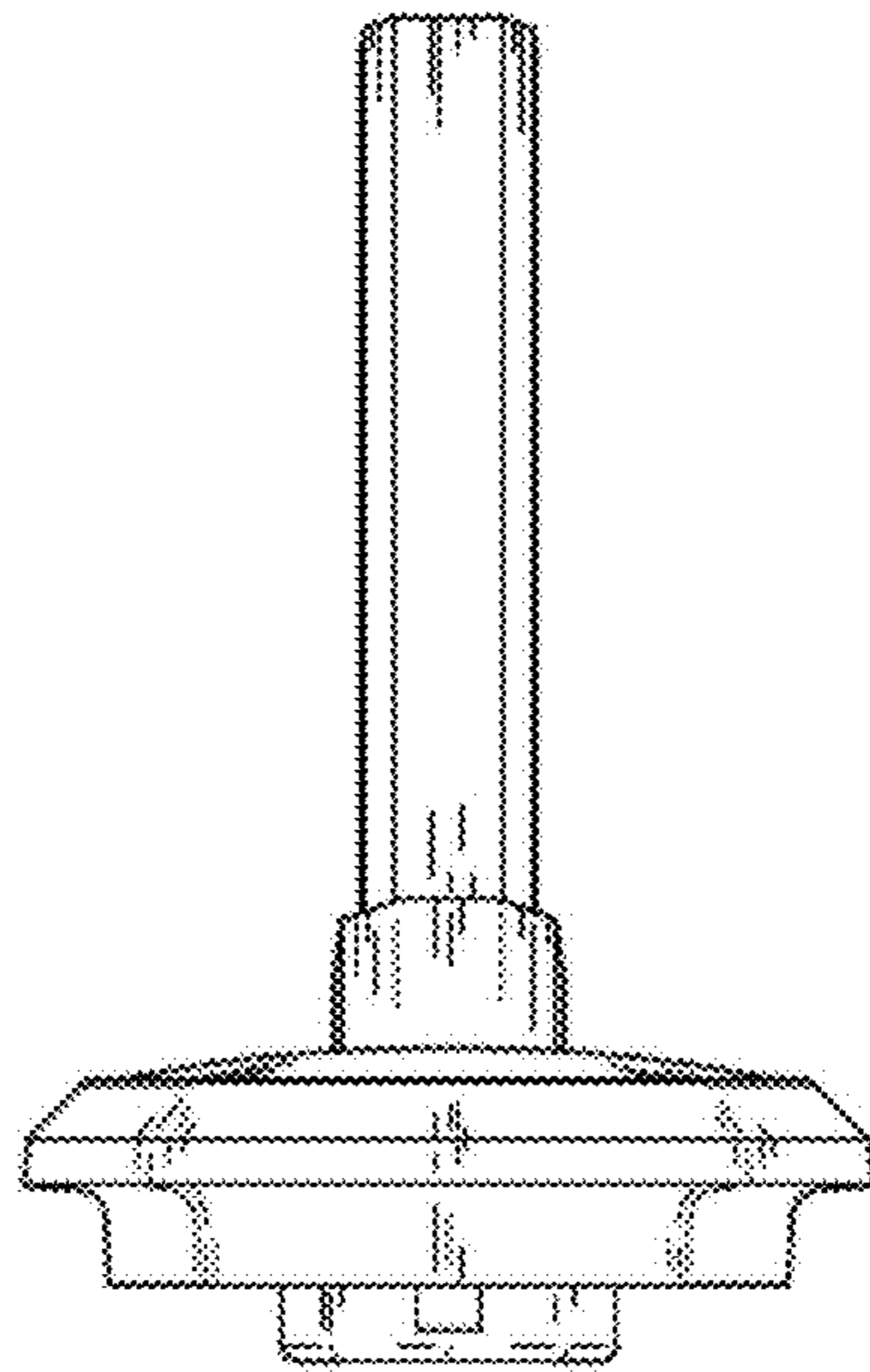


FIG. 1

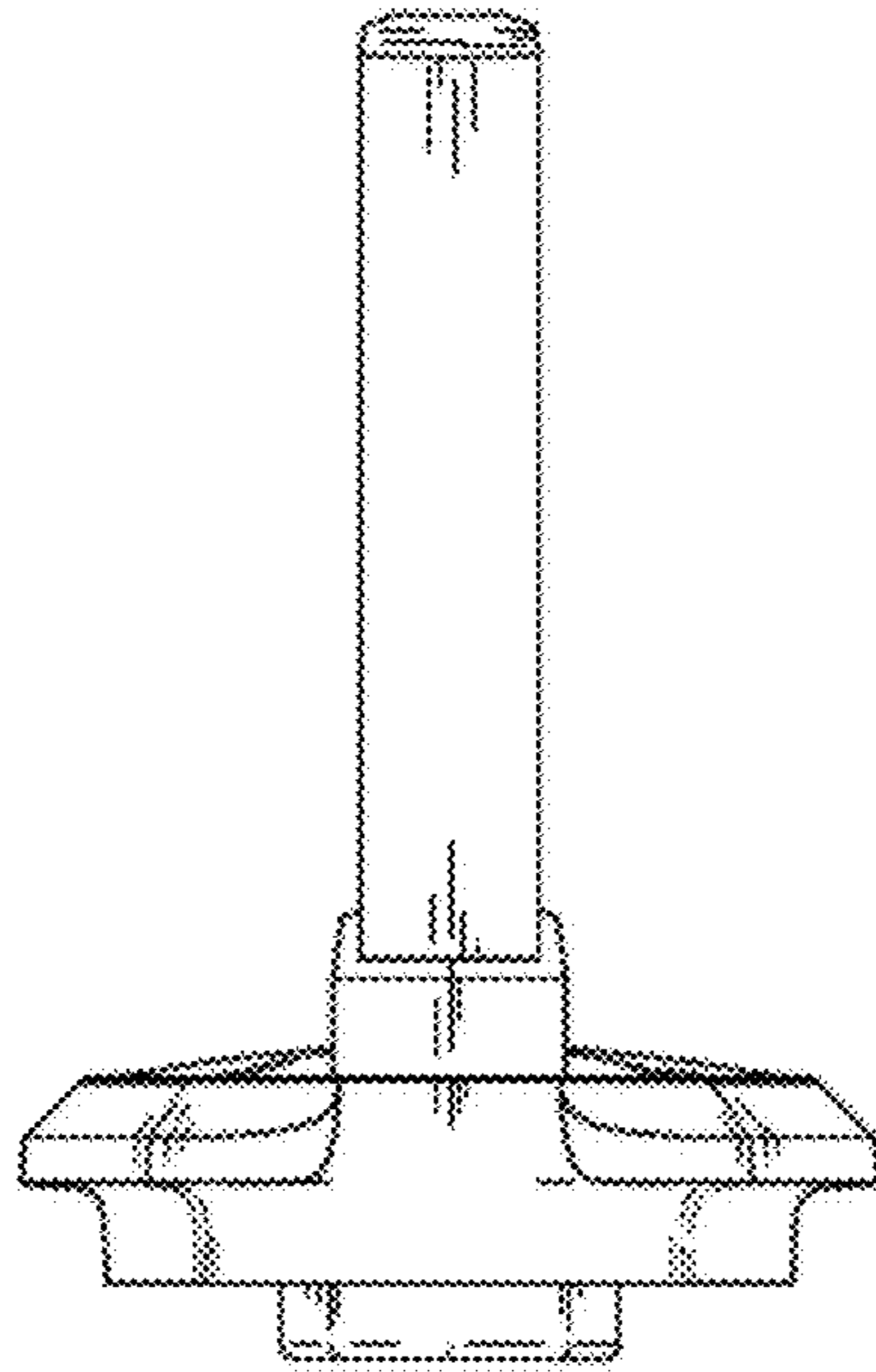


FIG. 2

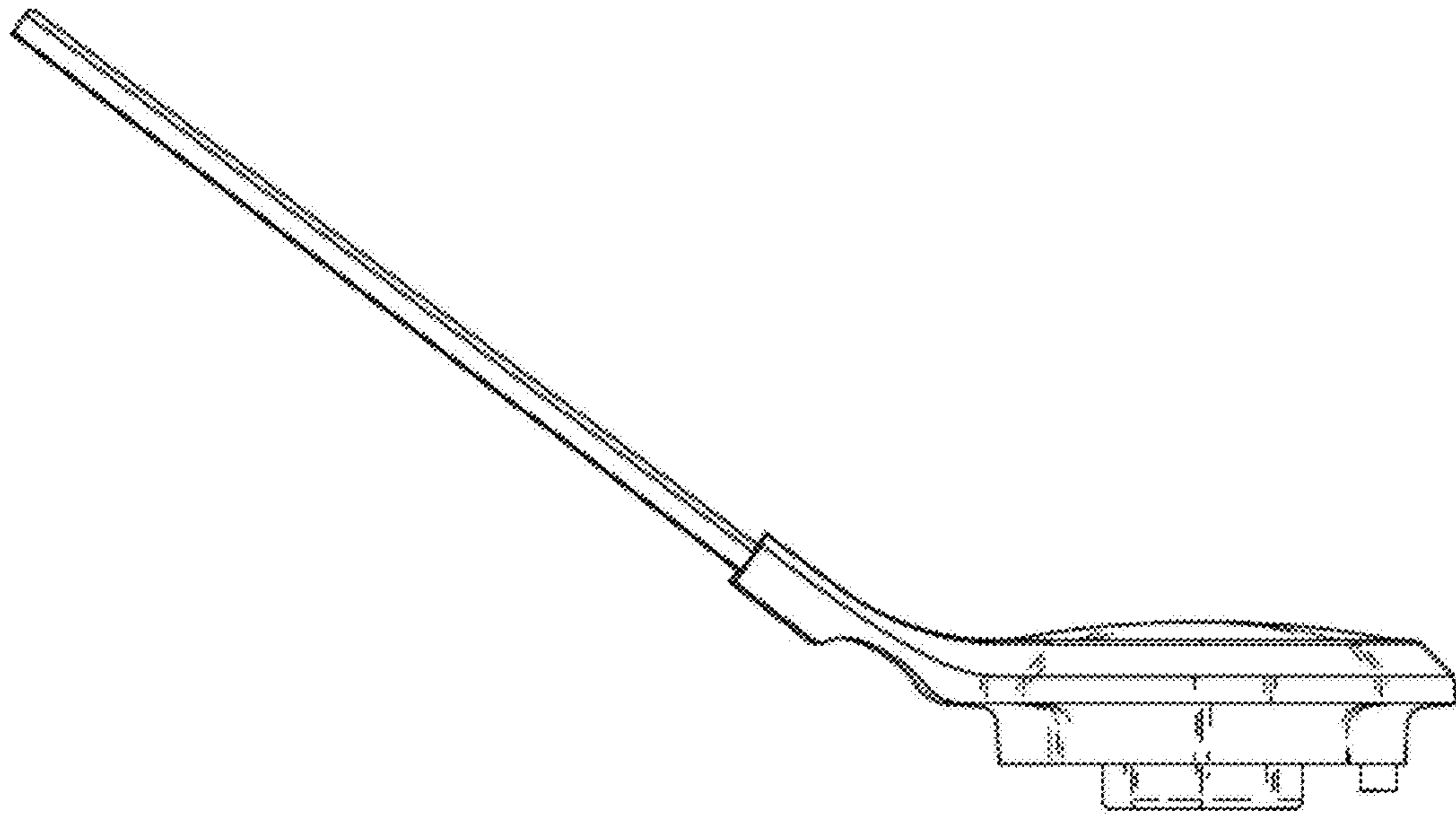


FIG. 3

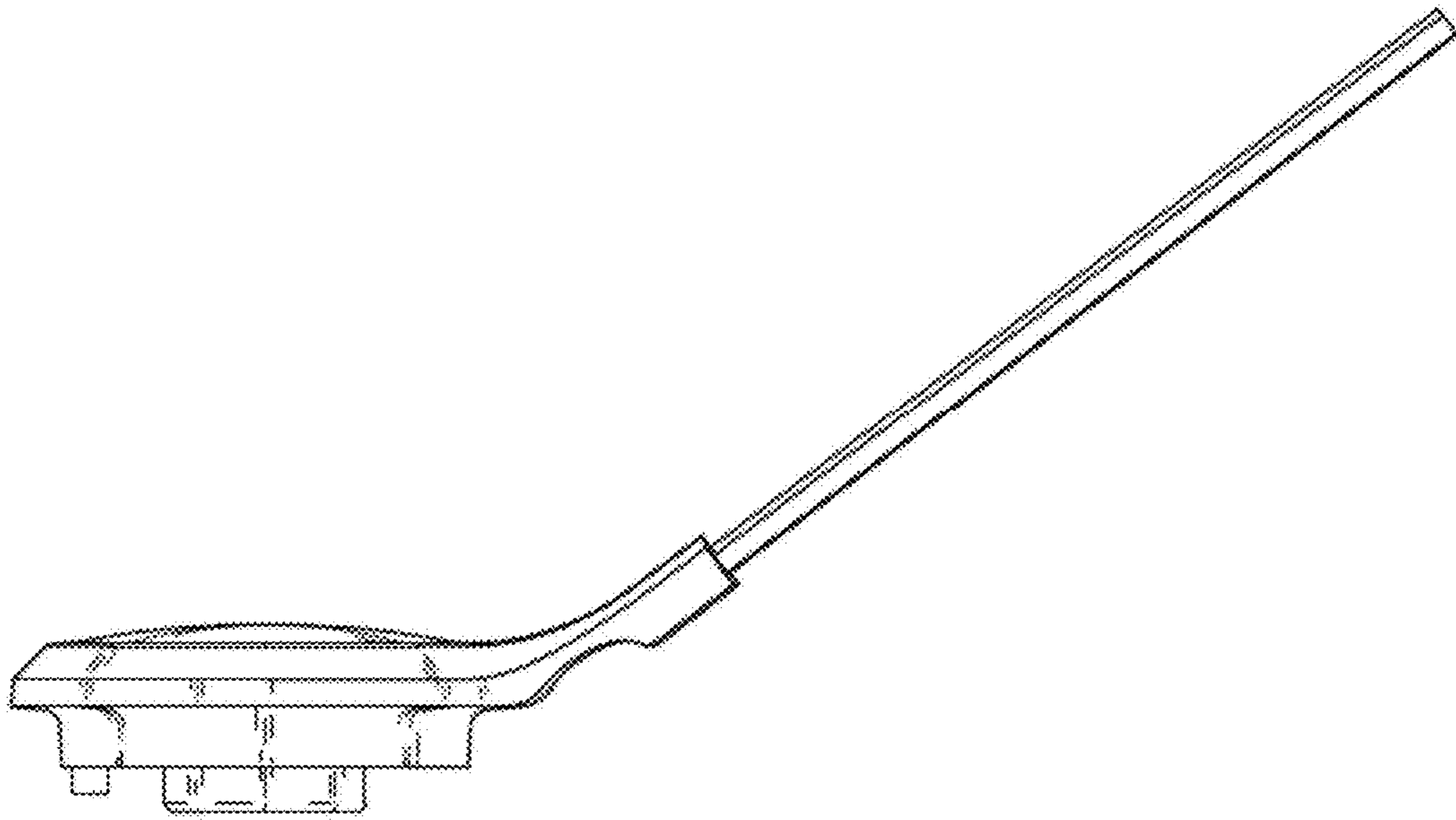


FIG. 4

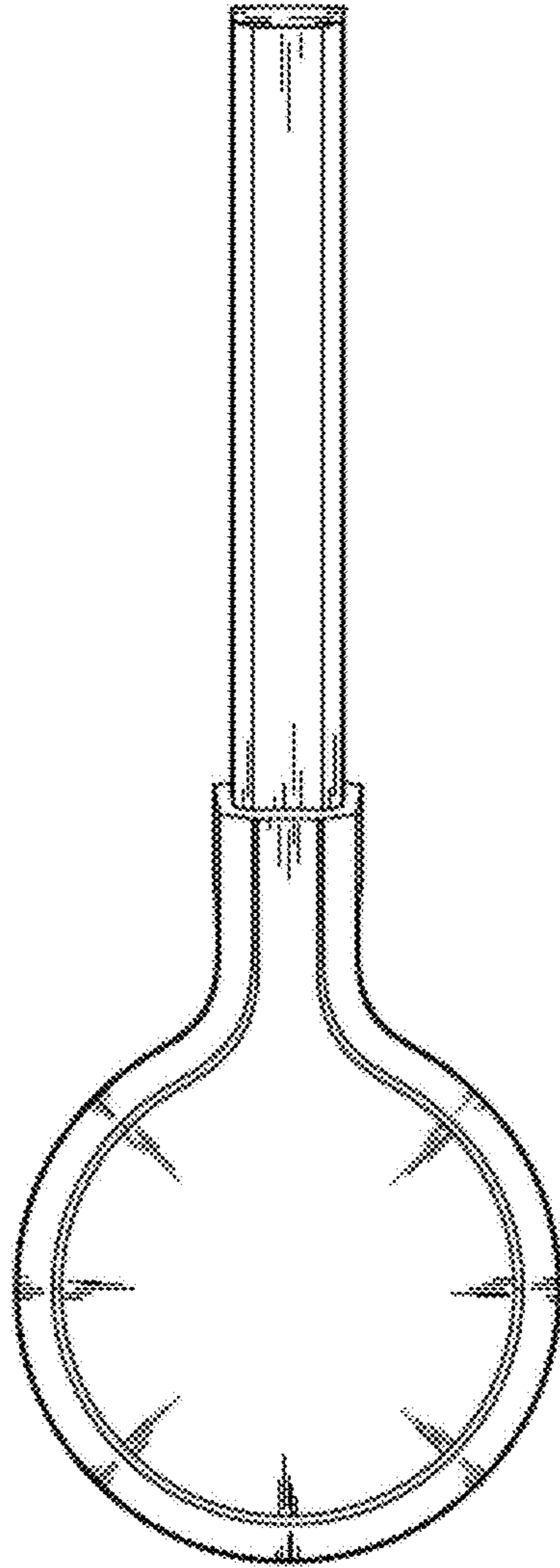


FIG. 5

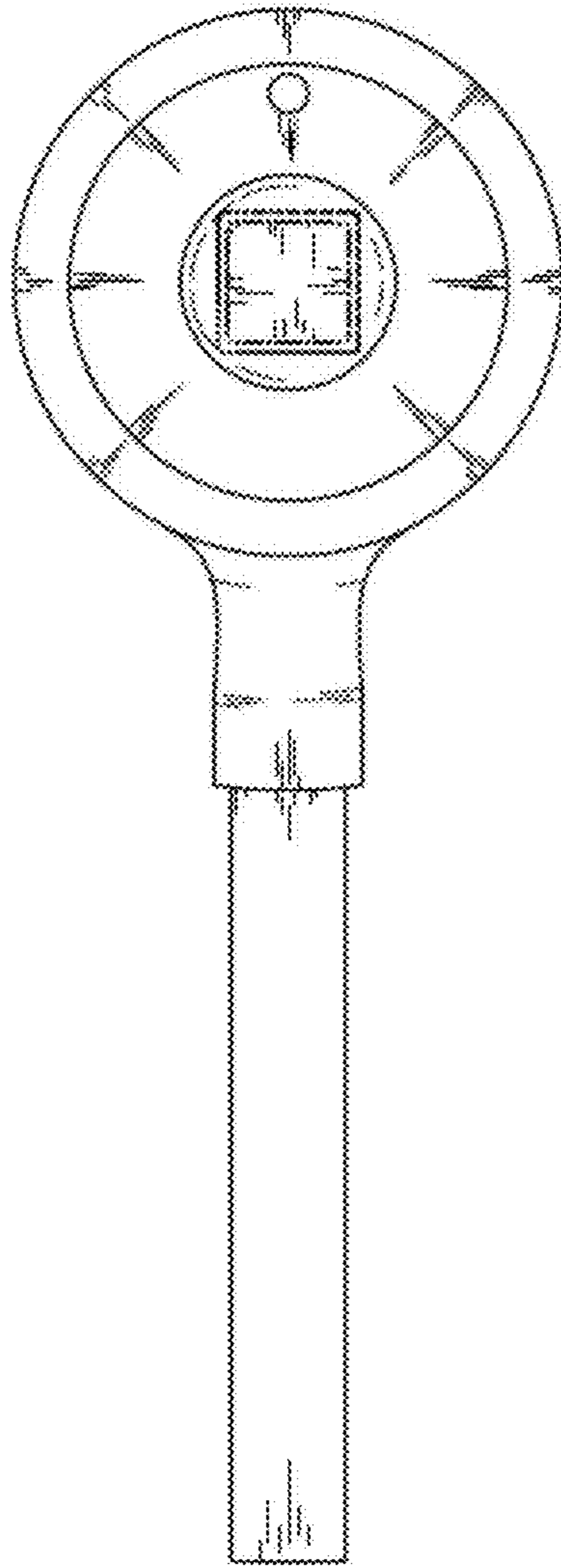


FIG. 6

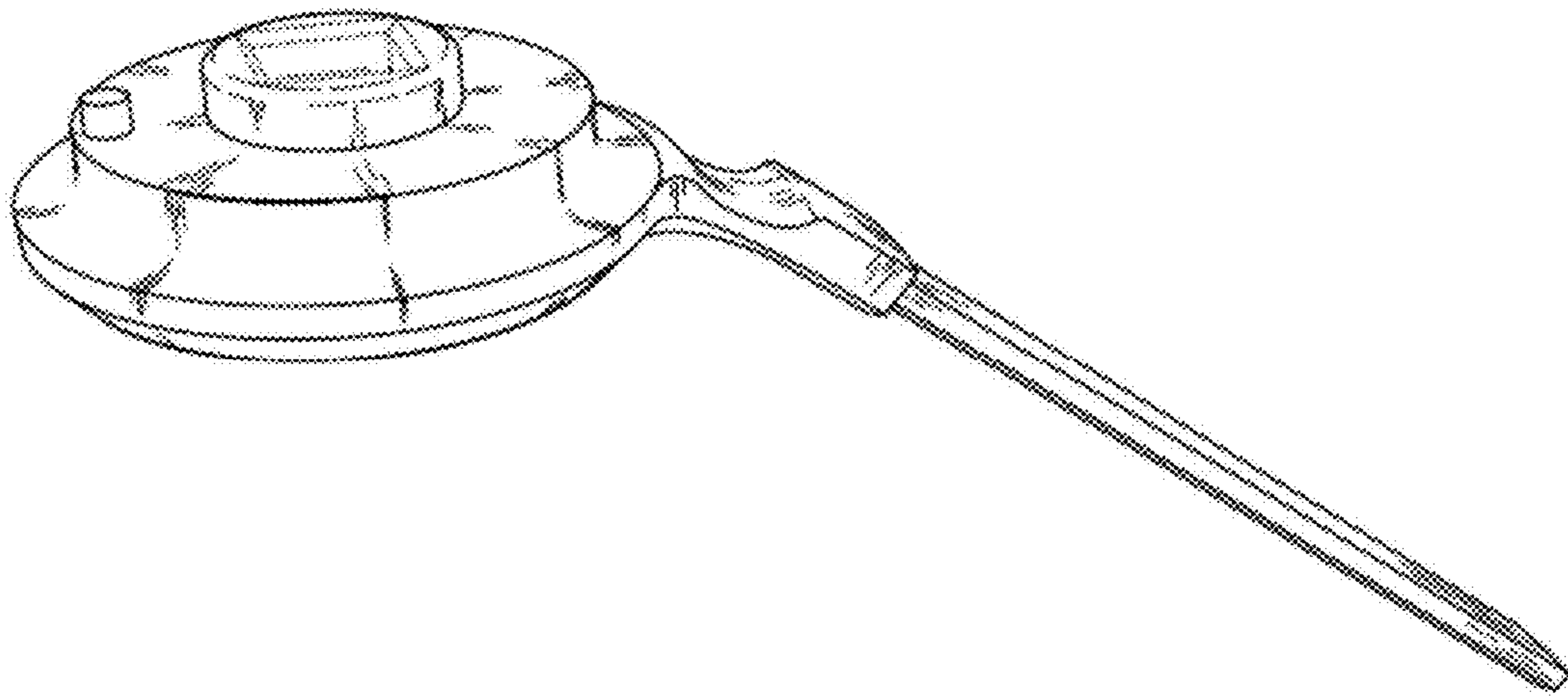


FIG. 7



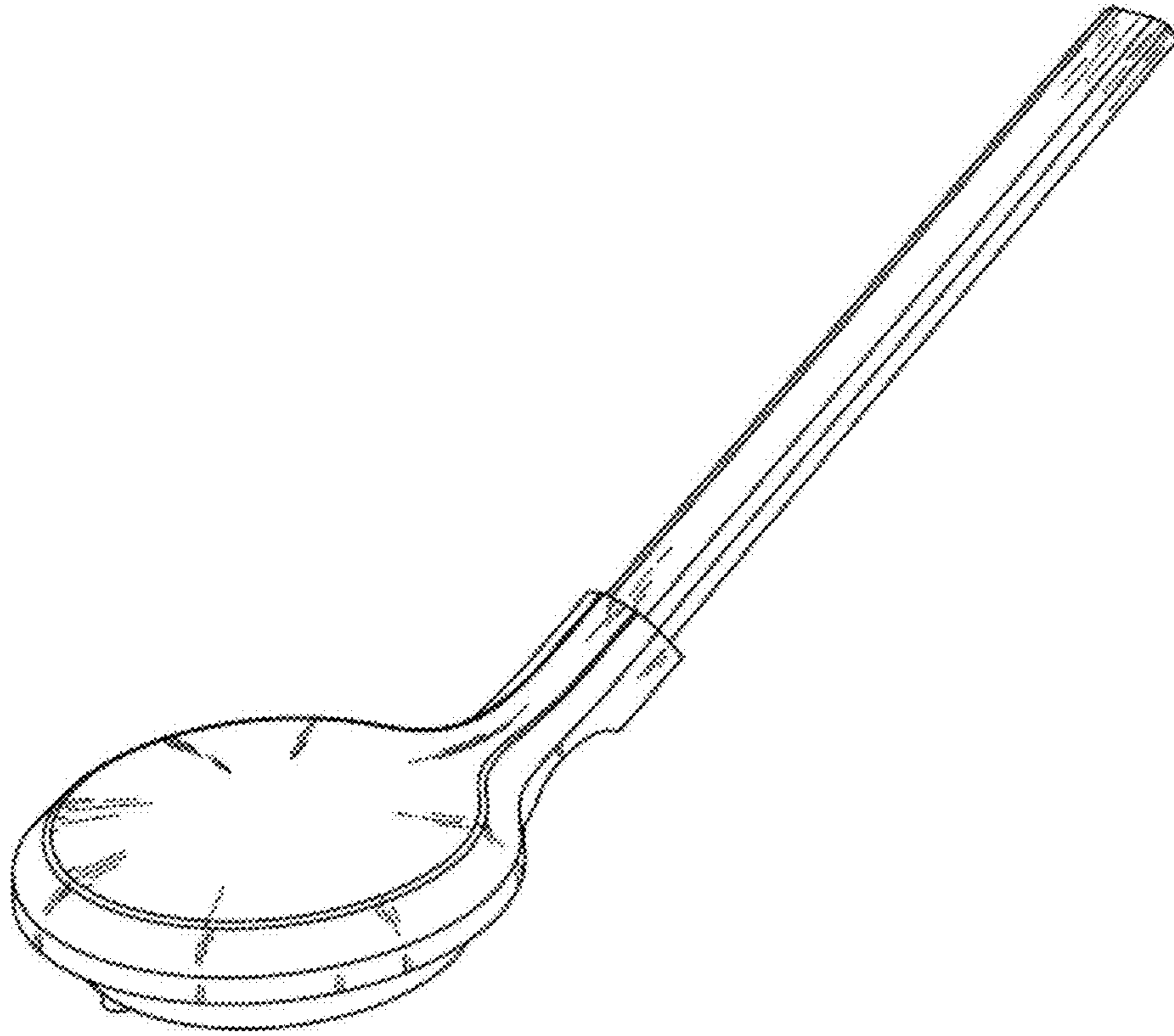


FIG. 8