



US00D961268S

(12) **United States Design Patent**
Kuang

(10) **Patent No.:** **US D961,268 S**

(45) **Date of Patent:** **** Aug. 23, 2022**

(54) **TOOTHBRUSH HEAD**

(71) Applicant: **Chaorui Kuang**, Guangdong (CN)

(72) Inventor: **Chaorui Kuang**, Guangdong (CN)

(**) Term: **15 Years**

(21) Appl. No.: **29/809,349**

(22) Filed: **Sep. 27, 2021**

(51) **LOC (13) Cl.** **28-03**

(52) **U.S. Cl.**
USPC **D4/101**

(58) **Field of Classification Search**
USPC D4/100, 101, 102, 104, 105, 106, 107,
D4/108, 109, 110, 111, 112, 113, 199
CPC A46B 2200/1066; A46B 9/04
See application file for complete search history.

(56) **References Cited**

U.S. PATENT DOCUMENTS

D652,626 S	1/2012	Gebski	
D653,035 S	1/2012	Gebski	
D657,565 S	4/2012	Gebski	
8,782,841 B2	7/2014	Sale et al.	
D715,057 S	10/2014	Adriaenssen et al.	
D744,756 S *	12/2015	Kato D4/111
D747,609 S	1/2016	Watkins	
D759,380 S	6/2016	Watkins	
D759,383 S	6/2016	Watkins	
D805,306 S	12/2017	Massee	

10,500,024 B2	12/2019	Dengler et al.	
10,575,626 B2	3/2020	Dengler et al.	
D887,145 S	6/2020	Hu	
11,219,303 B2 *	1/2022	Strähler A46D 3/045
2017/0156484 A1 *	6/2017	Henderson A46B 9/04
2020/0107919 A1	4/2020	Dengler et al.	
2021/0186204 A1 *	6/2021	Meidl A46D 3/045

FOREIGN PATENT DOCUMENTS

CN 306996623 * 12/2021

* cited by examiner

Primary Examiner — Karen E Eldridge Powers

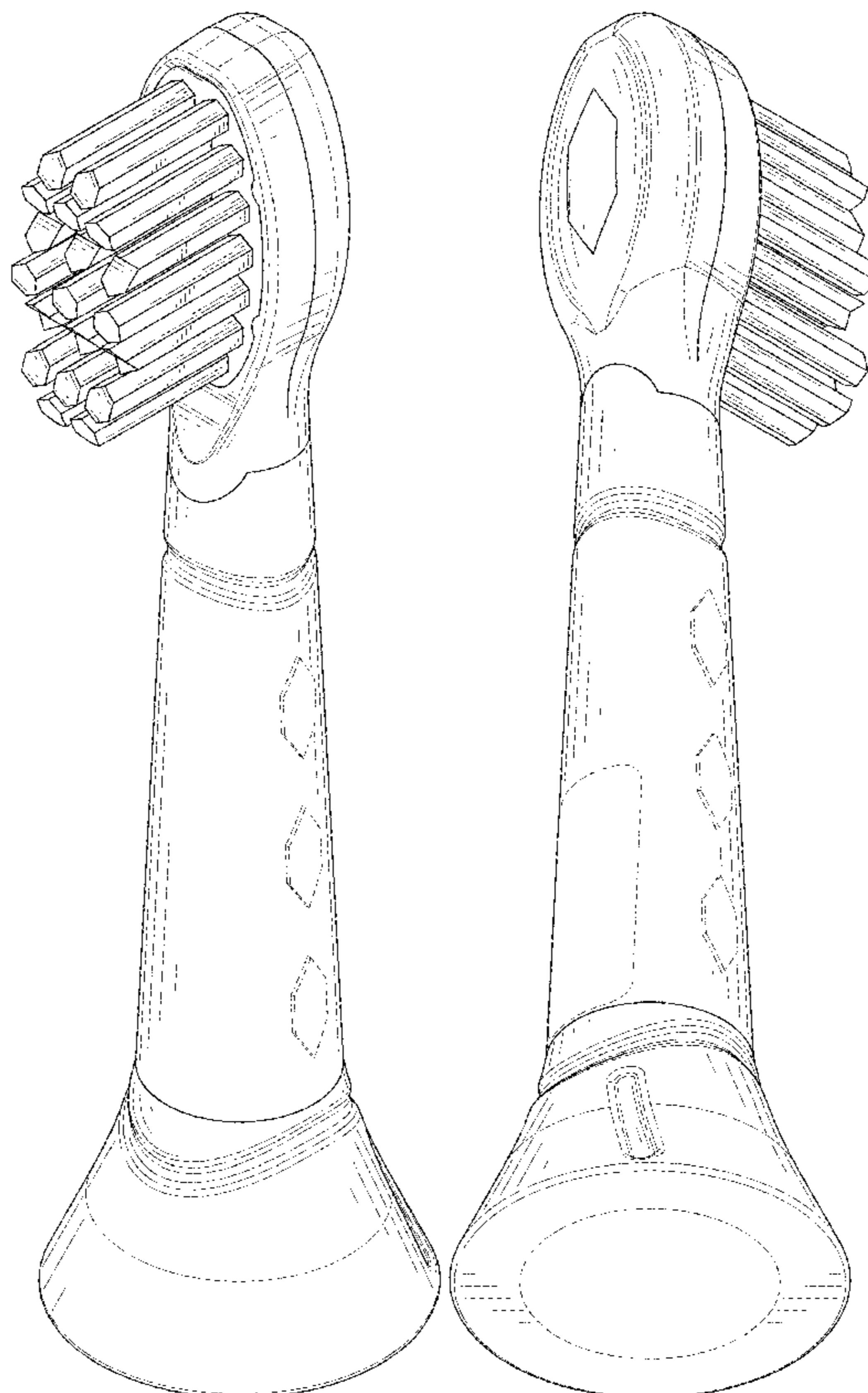
(57) **CLAIM**

The ornamental design for a toothbrush head, as shown and described.

DESCRIPTION

FIG. 1 is a front and top perspective view of a toothbrush head, showing my new design;
 FIG. 2 is a rear and bottom perspective view thereof;
 FIG. 3 is a front elevation view thereof;
 FIG. 4 is a rear elevation view thereof;
 FIG. 5 is a left side elevation view thereof;
 FIG. 6 is a right side elevation view thereof;
 FIG. 7 is a top plan view thereof; and,
 FIG. 8 is a bottom plan view thereof.
 The broken lines in the figures illustrate portions of the toothbrush head that form no part of the claimed design.

1 Claim, 8 Drawing Sheets



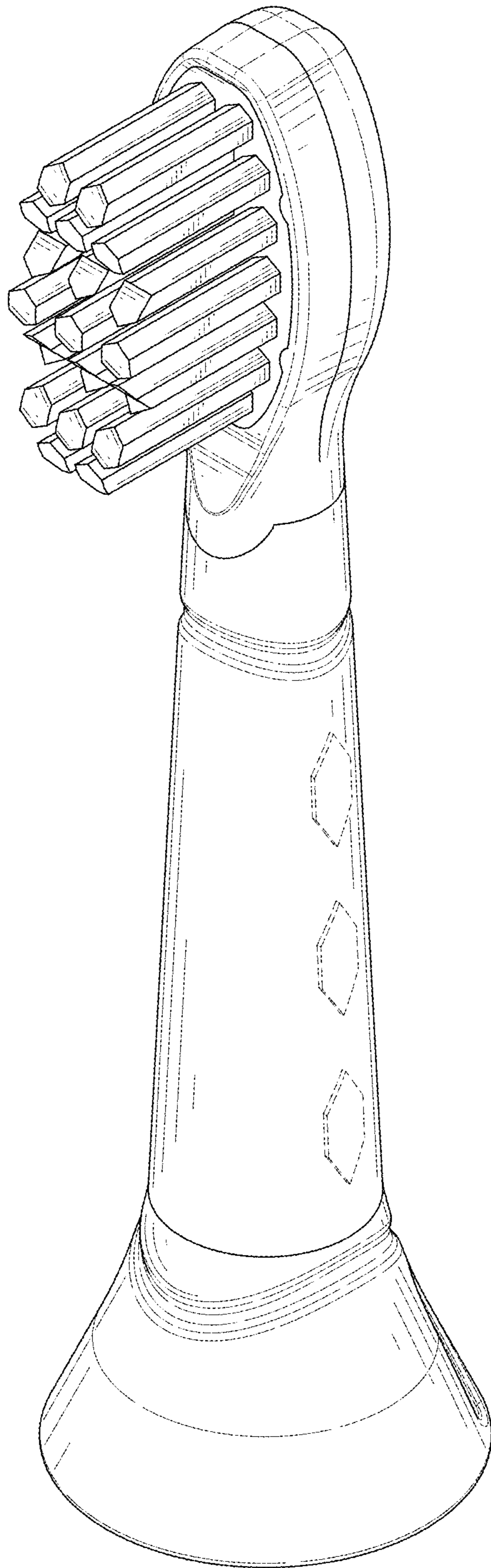


FIG. 1

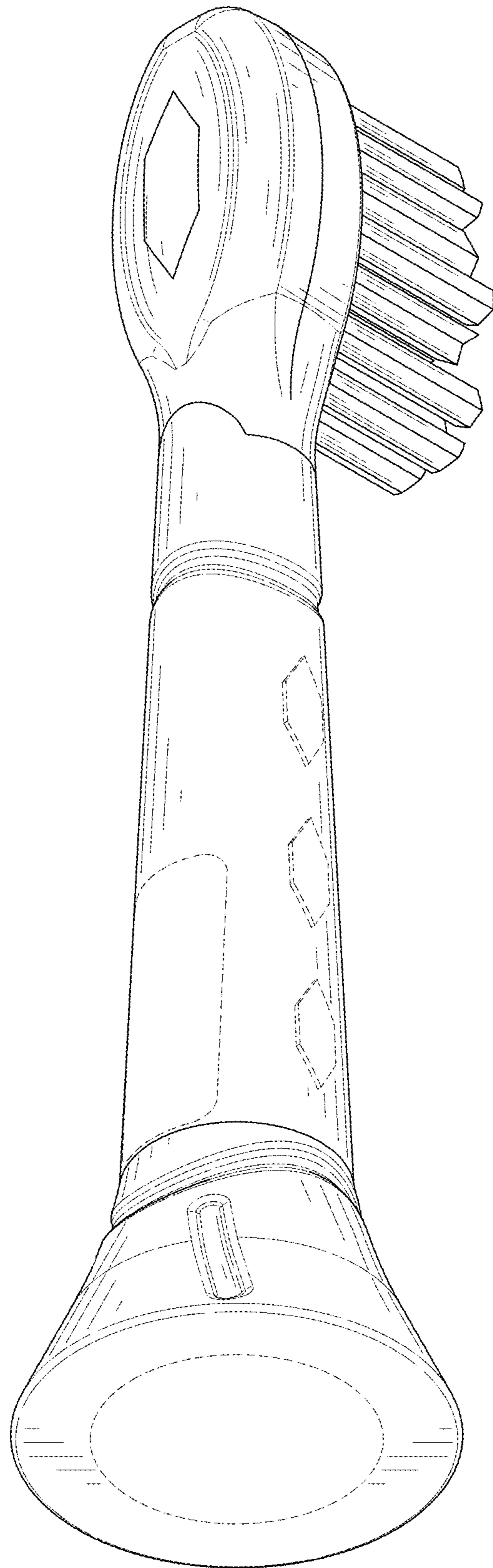


FIG. 2

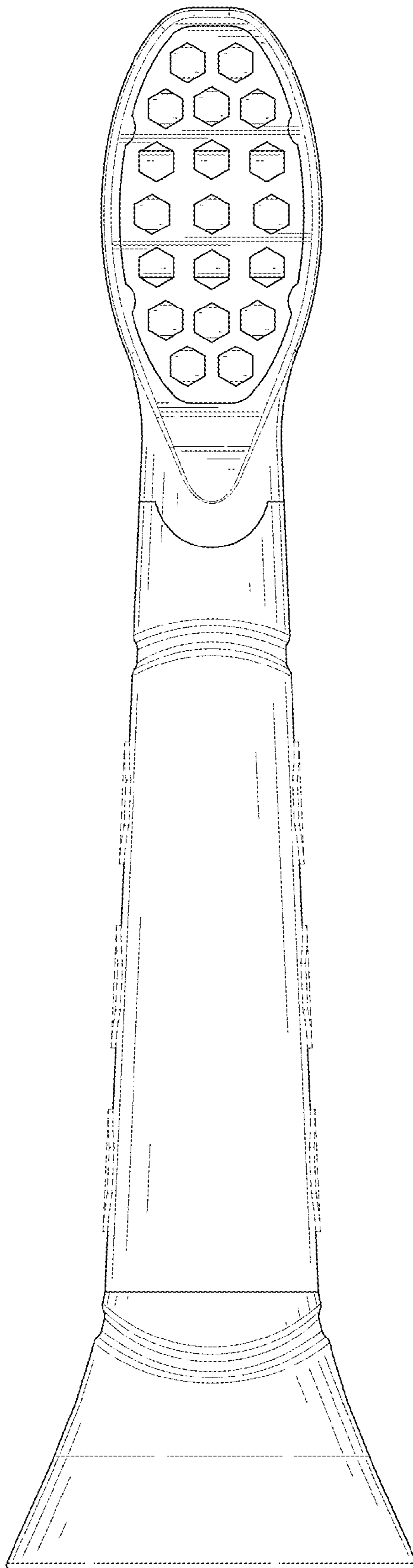


FIG. 3

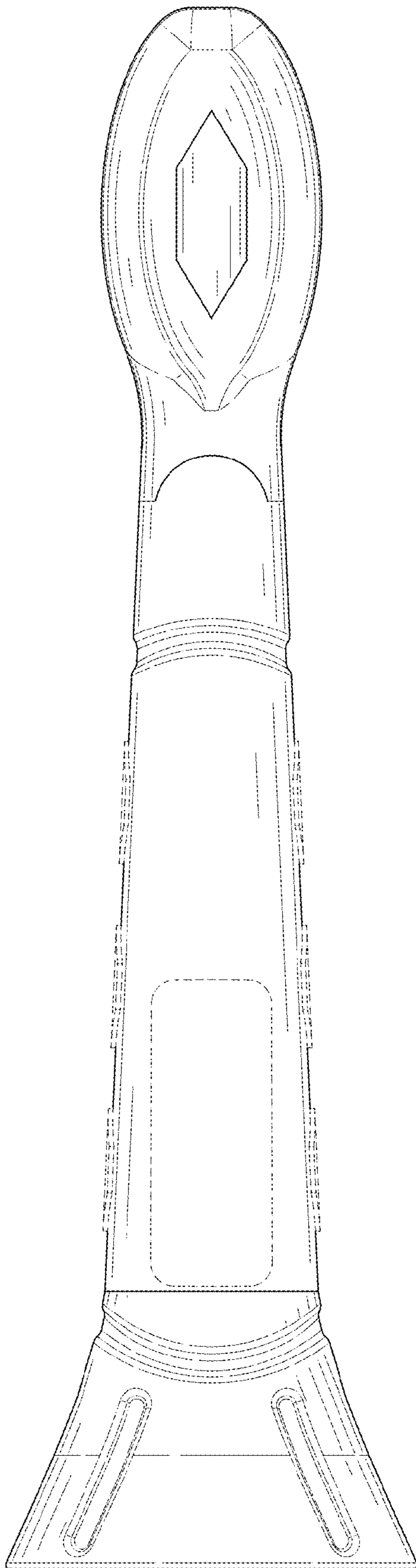


FIG. 4

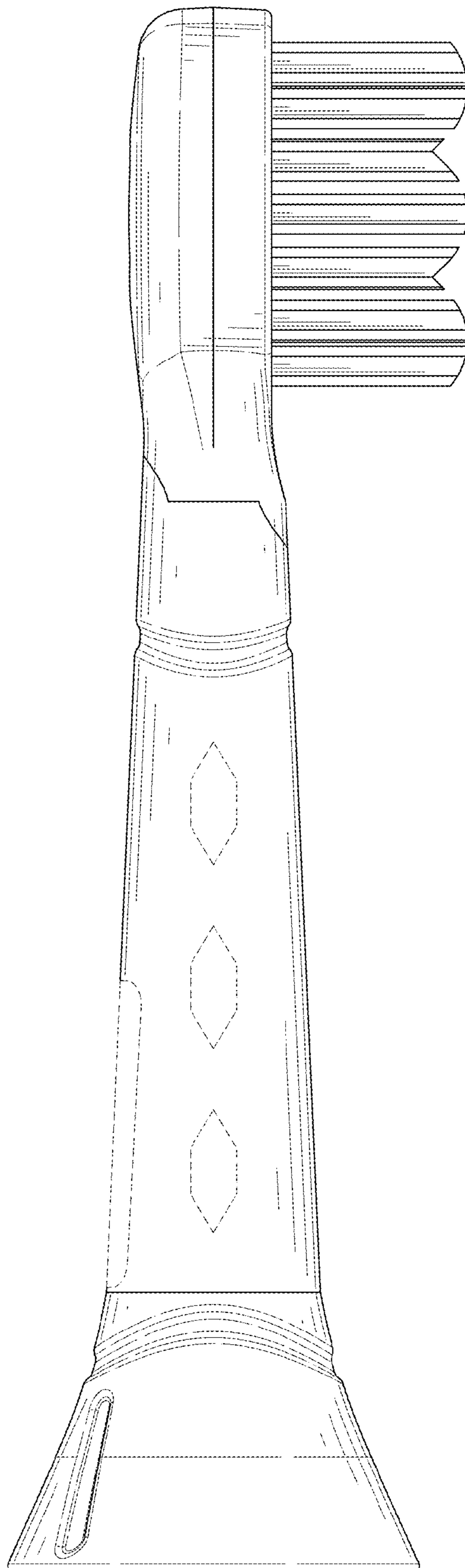


FIG. 5

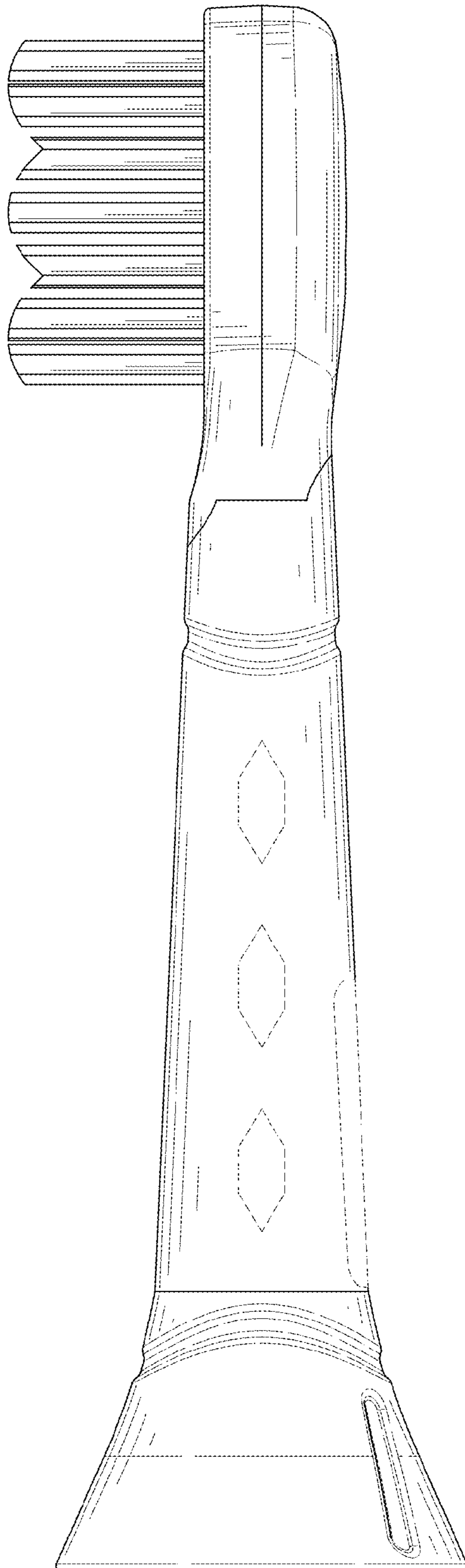


FIG. 6

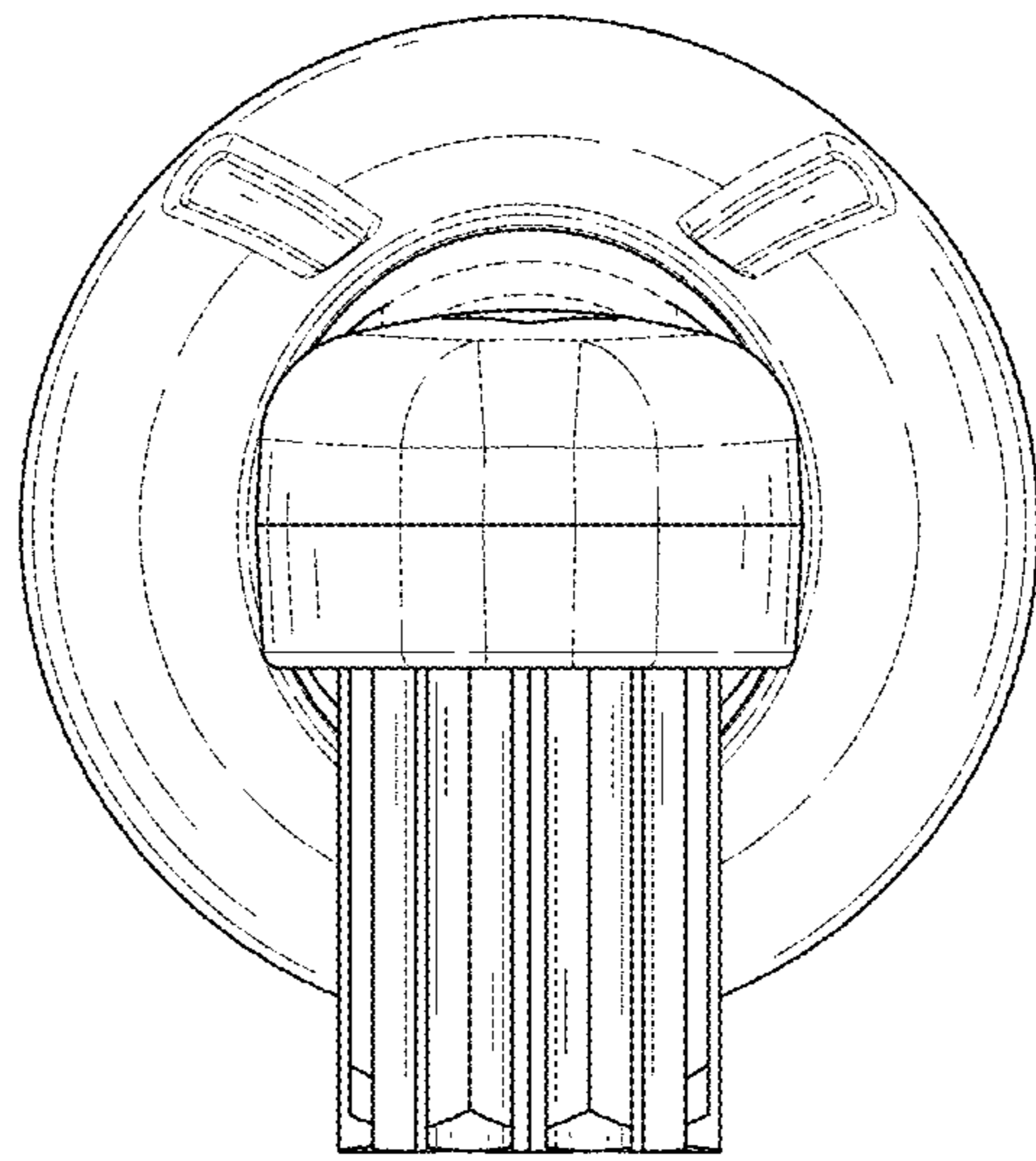


FIG. 7

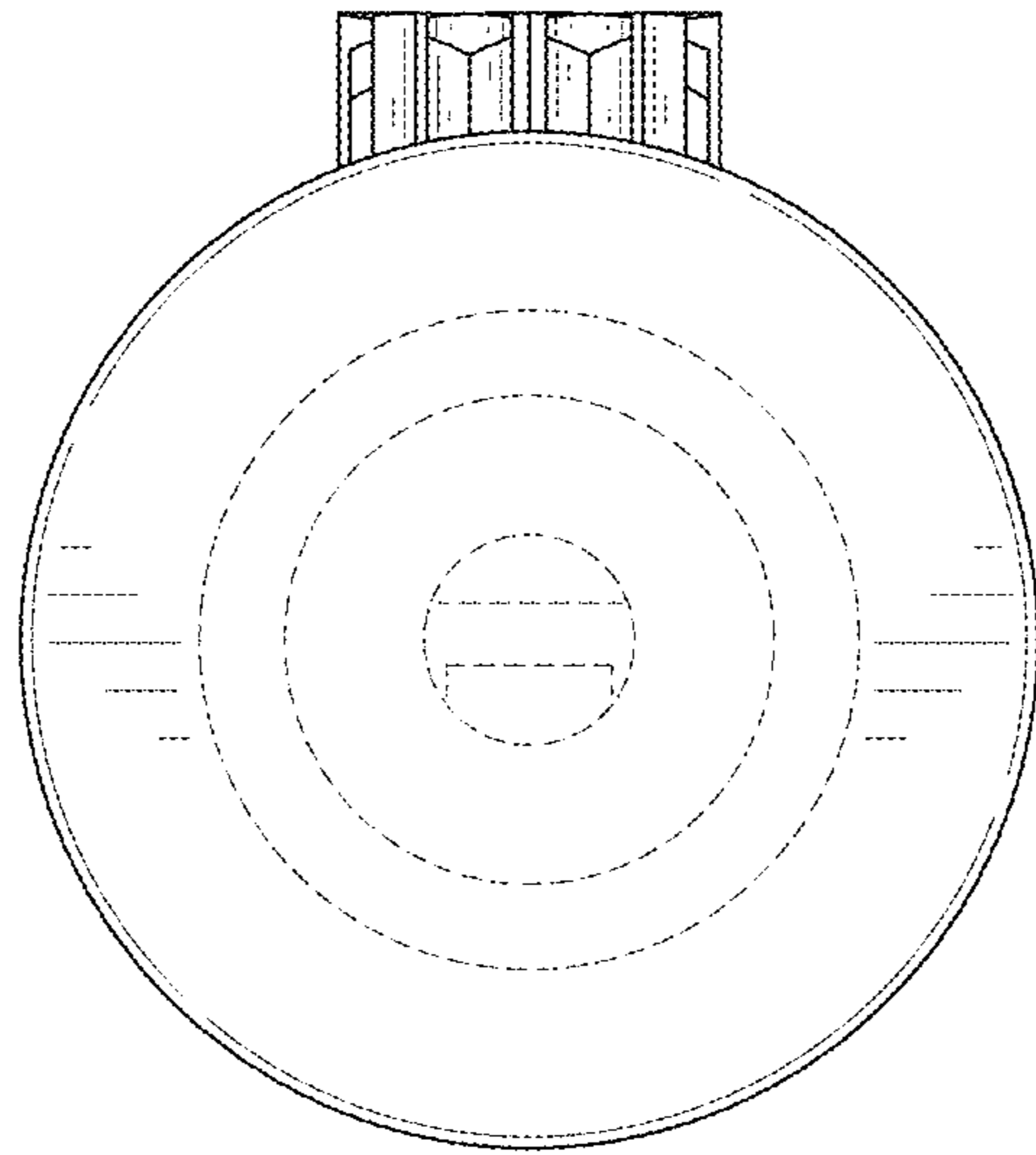


FIG. 8