



US00D961265S

(12) **United States Design Patent** (10) **Patent No.:** **US D961,265 S**  
**Zhu** (45) **Date of Patent:** **\*\* Aug. 23, 2022**

(54) **PURSE ORGANIZER**

(71) Applicant: **Xiufeng Zhu**, Guangdong (CN)

(72) Inventor: **Xiufeng Zhu**, Guangdong (CN)

(\*\*) Term: **15 Years**

(21) Appl. No.: **29/816,122**

(22) Filed: **Nov. 18, 2021**

(51) **LOC (13) Cl.** ..... **30-01**

(52) **U.S. Cl.**  
USPC ..... **D3/319**

(58) **Field of Classification Search**

USPC ..... D3/319, 226, 230–233, 239–244, 245, D3/246, 203.1, 215, 217, 273–276, 283, D3/285, 289, 304, 305, 902; 119/867, 119/868, 161, 163, 164, 170, 717, 712, 119/174; 294/1.3–1.5, 214; 43/7–12; 15/257.1, 257.7; 206/496; 383/33, 34, 383/34.1, 6, 12, 13, 68; 30/99; D32/74, D32/49; D8/14, 106, 107, 499; 280/47.26, 47.23, 47.34, 652, 47.19, 79.5, 280/79.7; 248/65, 205.2, 907; D34/12, D34/14, 15, 21, 23, 24–28  
CPC ..... A45C 15/06; A45C 7/009; A45C 7/0036; A45C 7/0081; A45C 2003/008; A45C 3/00; A45C 5/005; E01H 1/1206; E01H 1/1213; E01H 1/12; E01H 2001/122; E01H 2001/1226; E01H 2001/1233; E01H 2001/128; E01H 2001/1286; E01H 2001/1293; E01H 2001/1273; E01H 2001/126; F16L 3/04; B26B 1/00; B26B 1/002; B26B 1/008; B26B 1/02; B26B 1/04; B26B 1/06; B26B 1/14; B26B 1/142; B26B 1/16; B26B 1/22; B26B 3/00; B26B 3/001; B26B 3/04–12; B26B 2003/005; B26B 2003/007; B26B 2003/008; B26B 5/00; B26B 5/005; B26B 7/00; B26B 7/0059; B26B 2001/022; B26B 2005/10; A61B 17/48; A61B 50/312

See application file for complete search history.

(56) **References Cited**

U.S. PATENT DOCUMENTS

D263,899 S \* 4/1982 Lynn ..... D3/303  
D318,948 S \* 8/1991 Nordstrom ..... D3/268  
D344,180 S \* 2/1994 Garcia ..... D12/416  
D441,341 S \* 5/2001 Hassett ..... D12/416  
D489,179 S \* 5/2004 Ho ..... D3/303  
D600,909 S \* 9/2009 Crook ..... D3/232  
D608,543 S \* 1/2010 Sammons ..... D3/232  
D609,002 S \* 2/2010 Sammons ..... D3/232  
D637,809 S \* 5/2011 Meldeau ..... D3/232

(Continued)

*Primary Examiner* — Susan Moon Lee

(74) *Attorney, Agent, or Firm* — True Shepherd, LLC;  
Andrew Cheng

(57) **CLAIM**

The ornamental design for purse organizer, as shown and described.

**DESCRIPTION**

FIG. 1 is a front, right and top perspective view of purse organizer, showing my design.

FIG. 2 is a rear, left and top perspective view thereof.

FIG. 3 is a front elevation view thereof.

FIG. 4 is a rear elevation view thereof.

FIG. 5 is a left side elevation view thereof.

FIG. 6 is a right side elevation view thereof.

FIG. 7 is a top plan view thereof.

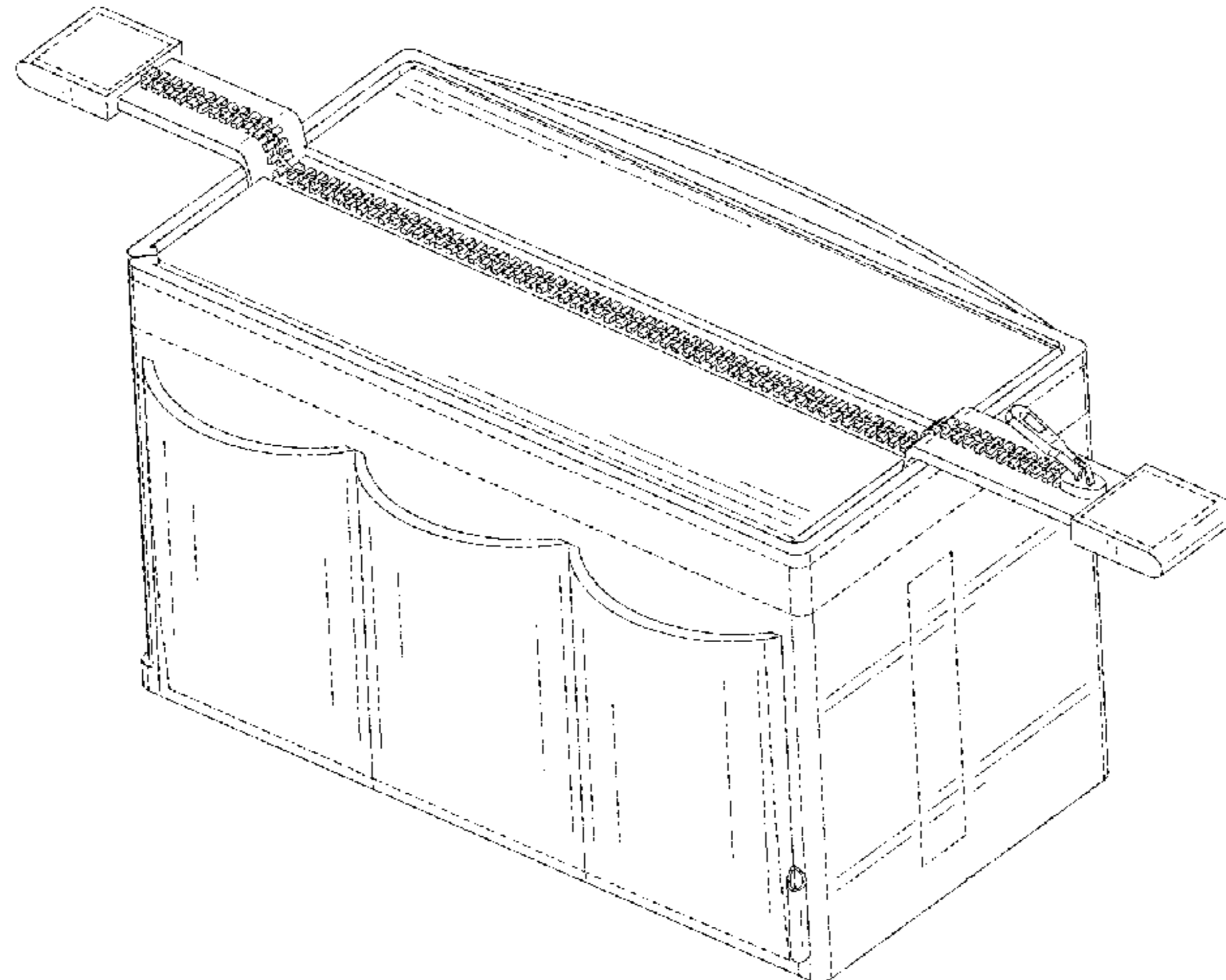
FIG. 8 is a bottom plan view thereof.

FIG. 9 is a partial enlarged view of an area labeled 9 in FIG. 1 comprising a zip; and,

FIG. 10 is an exploded view of the purse organizer of FIG. 1.

The broken lines shown in the drawings are included for the purpose of illustrating portions of the purse organizer that form no part of the claimed design.

**1 Claim, 10 Drawing Sheets**



(56)

**References Cited**

U.S. PATENT DOCUMENTS

D665,169	S *	8/2012	Filip .....	D3/289
D697,307	S	1/2014	Crook	
D711,096	S *	8/2014	Hanna .....	D3/232
D765,976	S *	9/2016	Wood .....	D3/304
D776,929	S *	1/2017	Noh .....	D3/315
D792,100	S *	7/2017	Wood .....	D3/307
D817,020	S *	5/2018	Polifroni .....	D6/567
D830,686	S *	10/2018	Rogers .....	D3/217
D838,986	S *	1/2019	Kutting .....	D3/319
D850,107	S *	6/2019	Dehmoubed .....	D3/307
D862,072	S *	10/2019	Dong .....	D3/232
D889,827	S *	7/2020	Wark .....	A45C 3/00
				D3/289
D893,193	S	8/2020	Zhu	
D907,922	S *	1/2021	Dooling .....	D3/283
D924,555	S *	7/2021	Noh .....	D3/201
D942,222	S *	2/2022	Seiders .....	D7/607
11,284,690	B2 *	3/2022	Gomez-Morillo .....	A45C 5/06
D947,536	S *	4/2022	Liang .....	D3/217
2015/0296939	A1 *	10/2015	Green .....	A45C 3/00
				383/38

\* cited by examiner

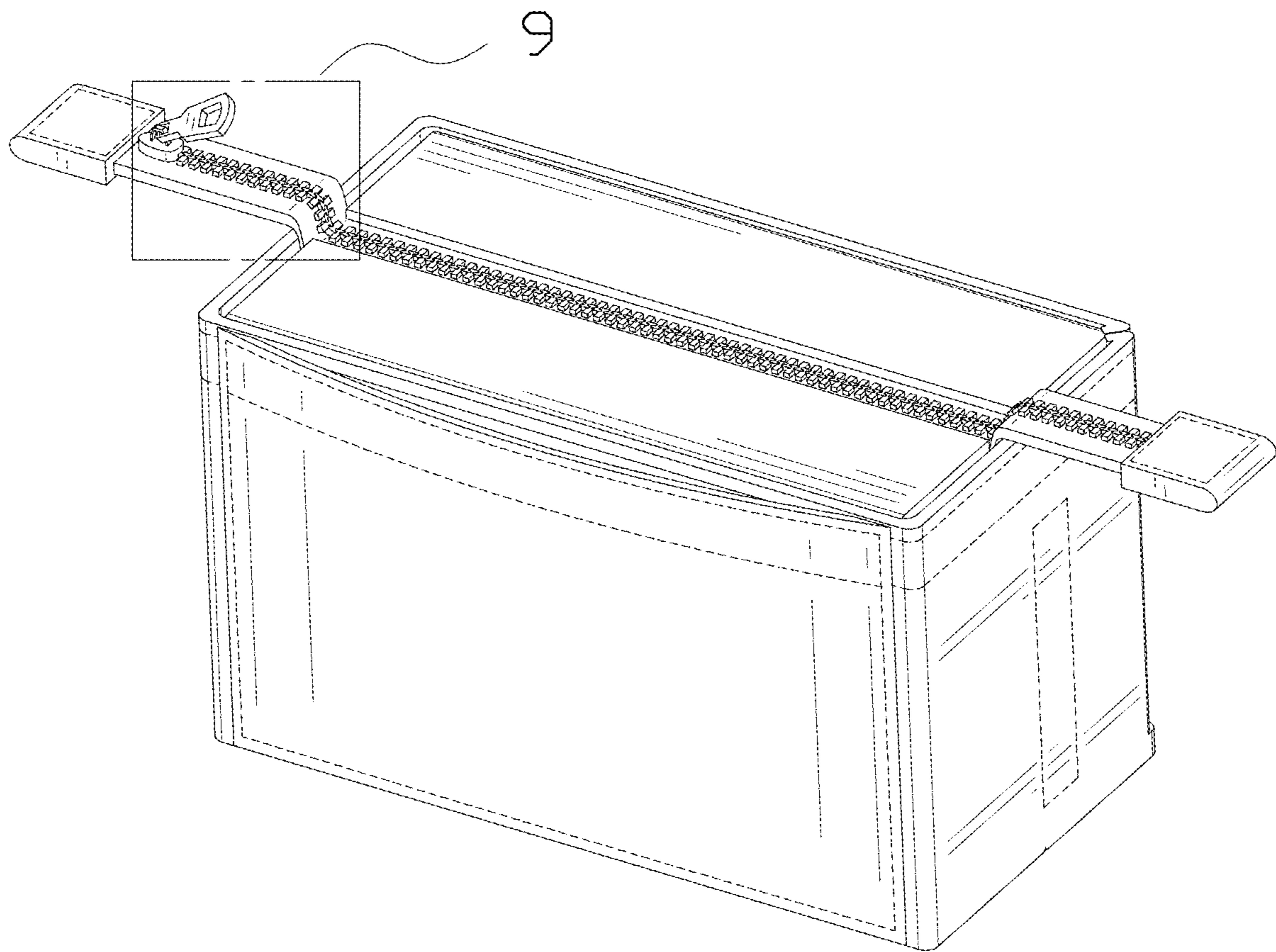


FIG. 1

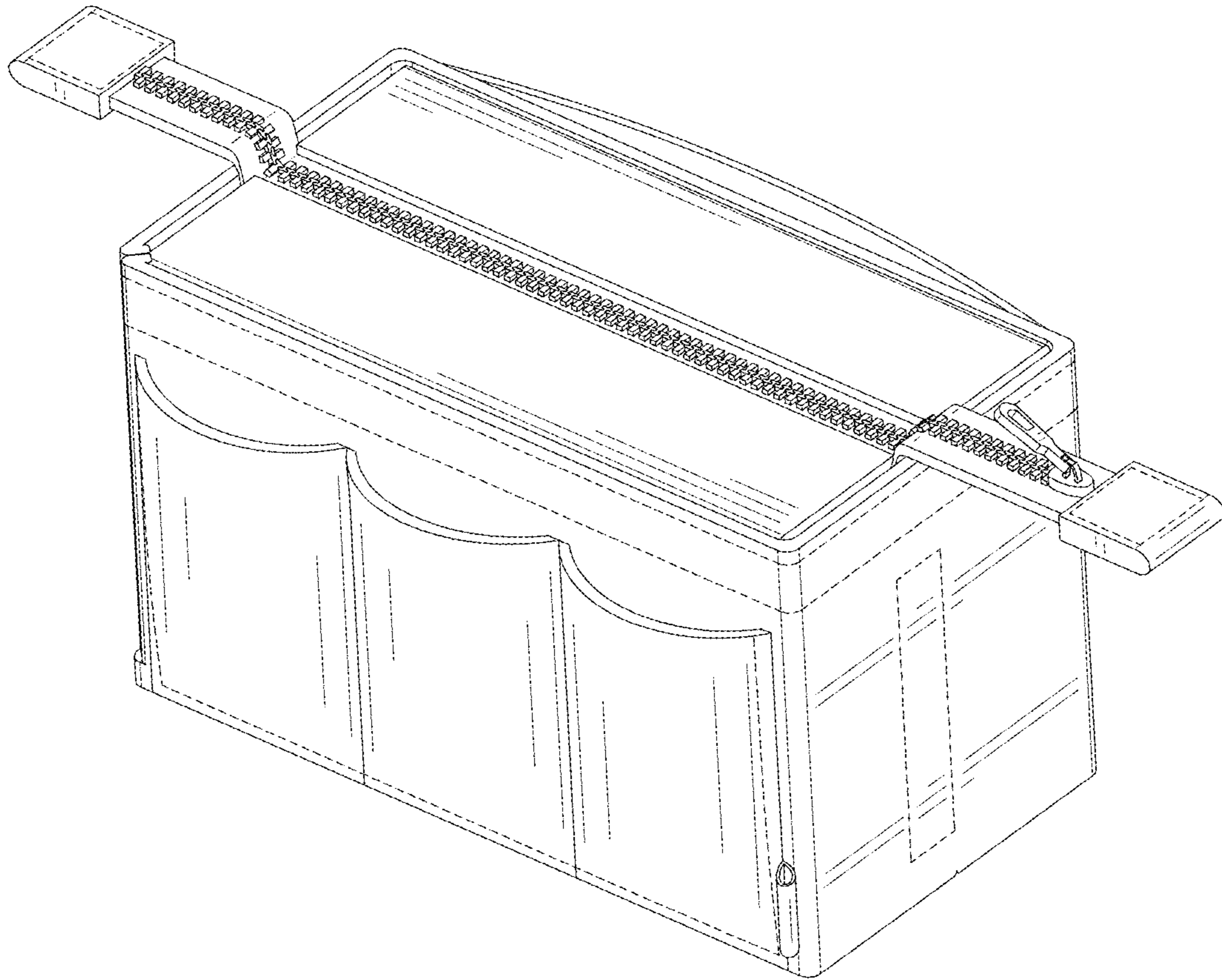


FIG. 2

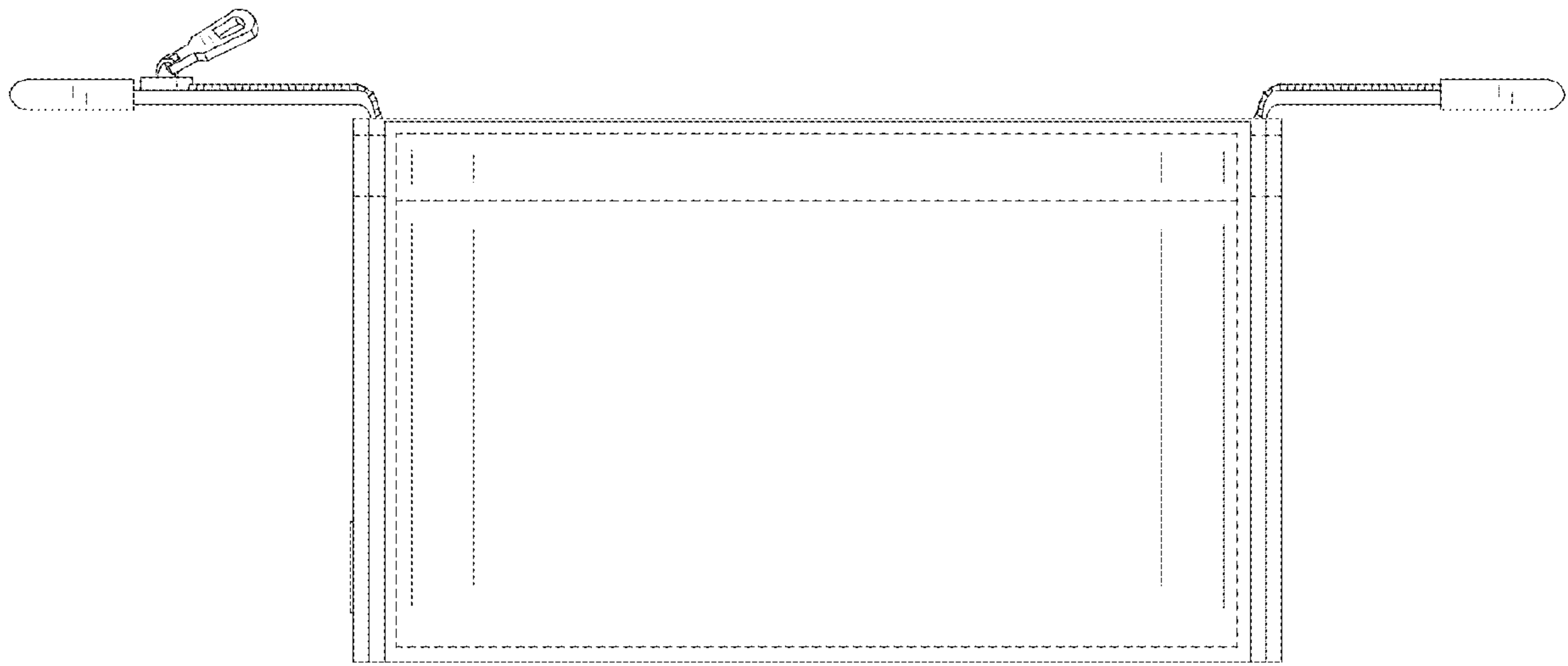


FIG. 3

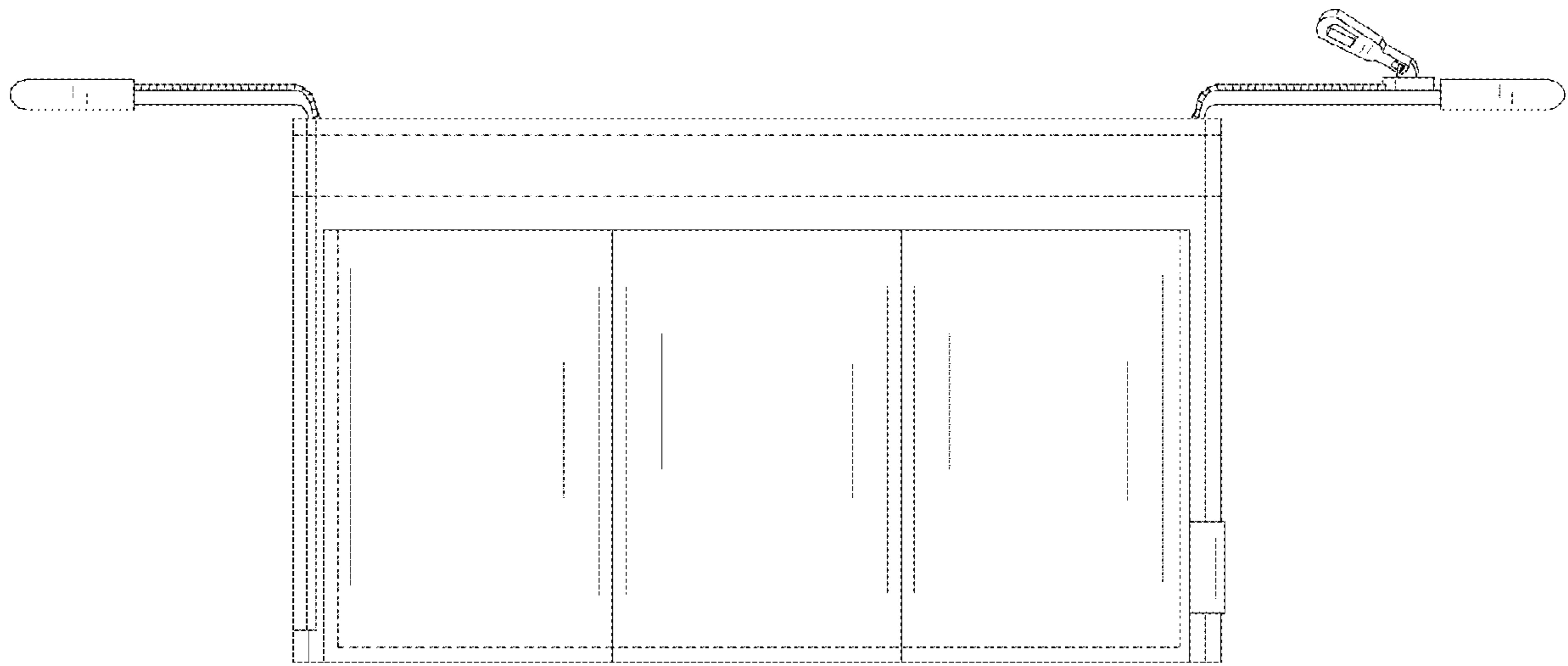


FIG. 4

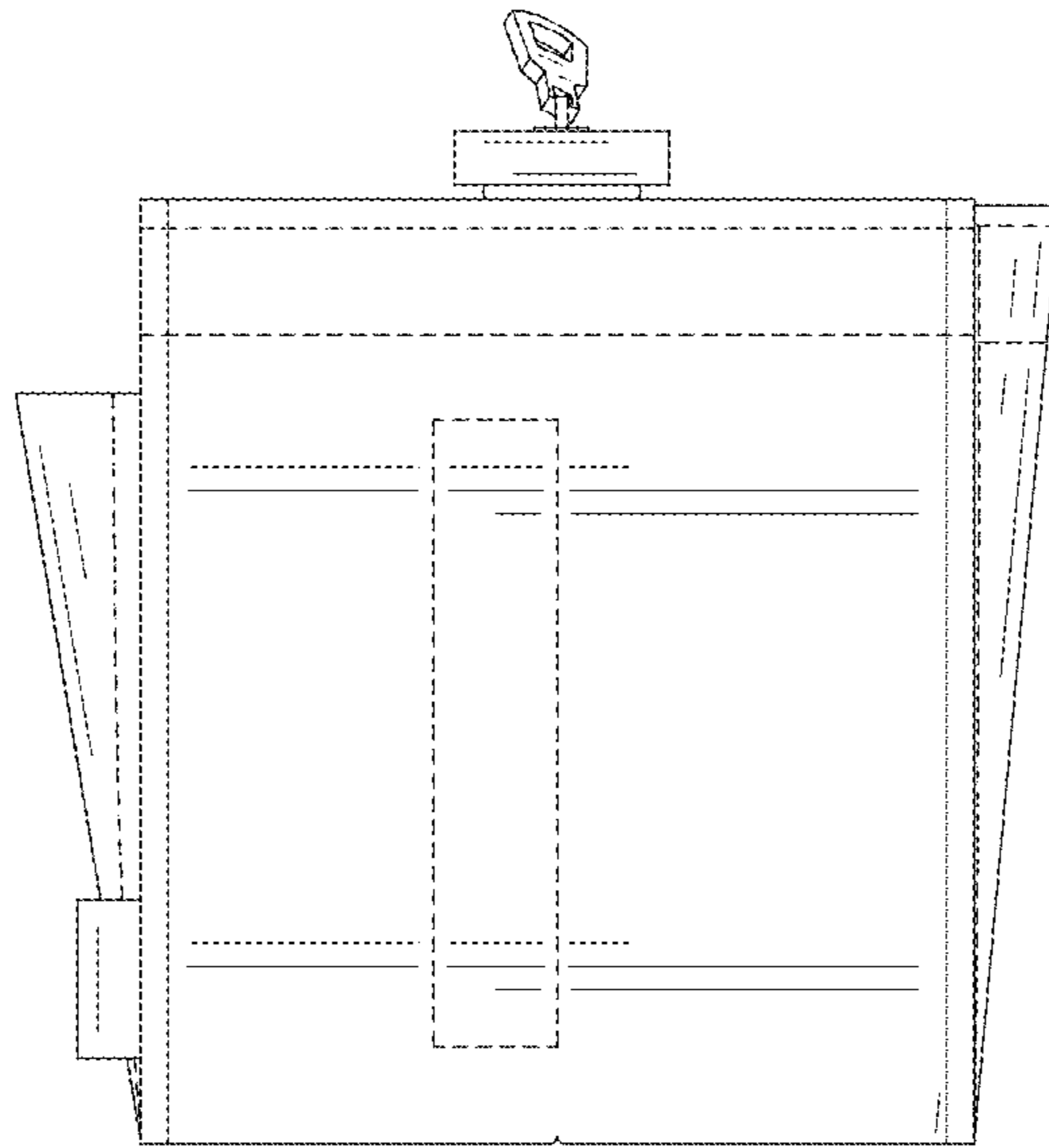


FIG. 5

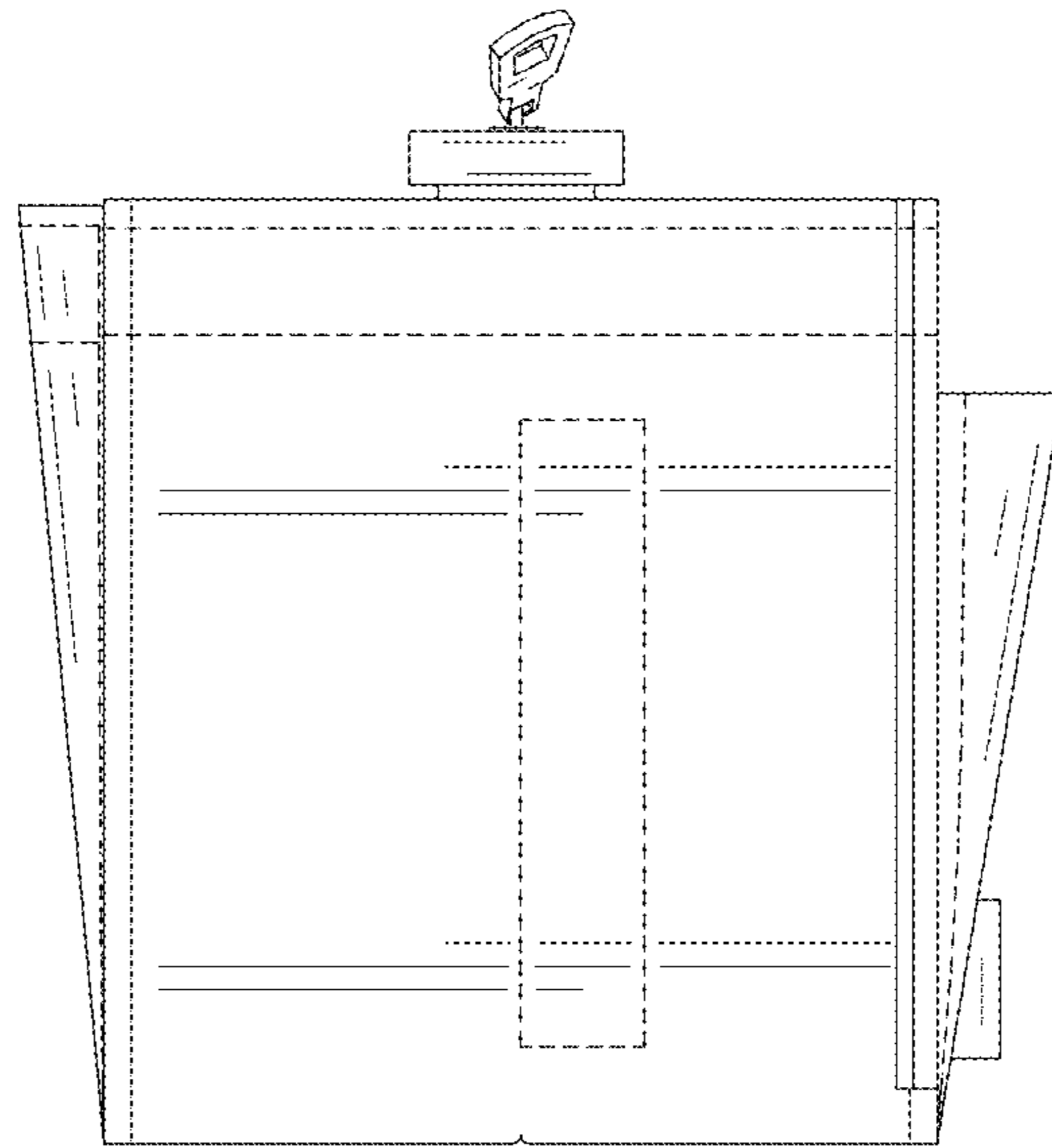


FIG. 6



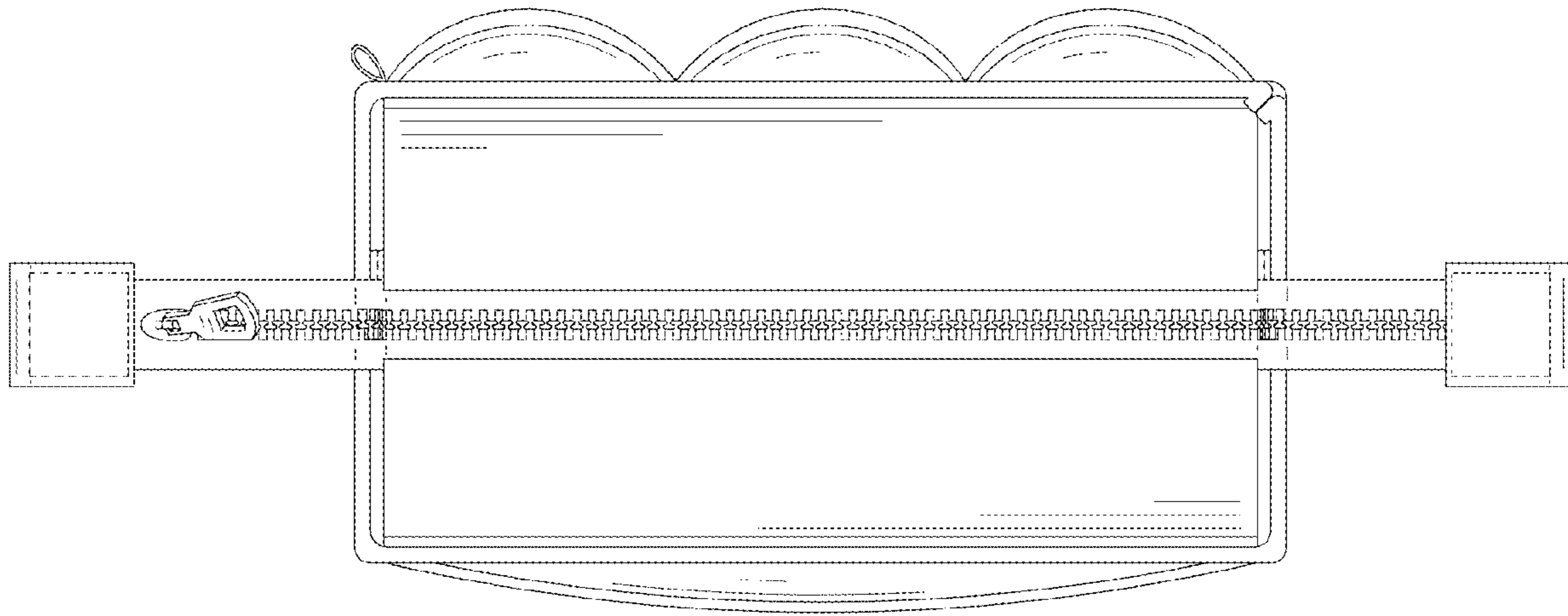


FIG. 7

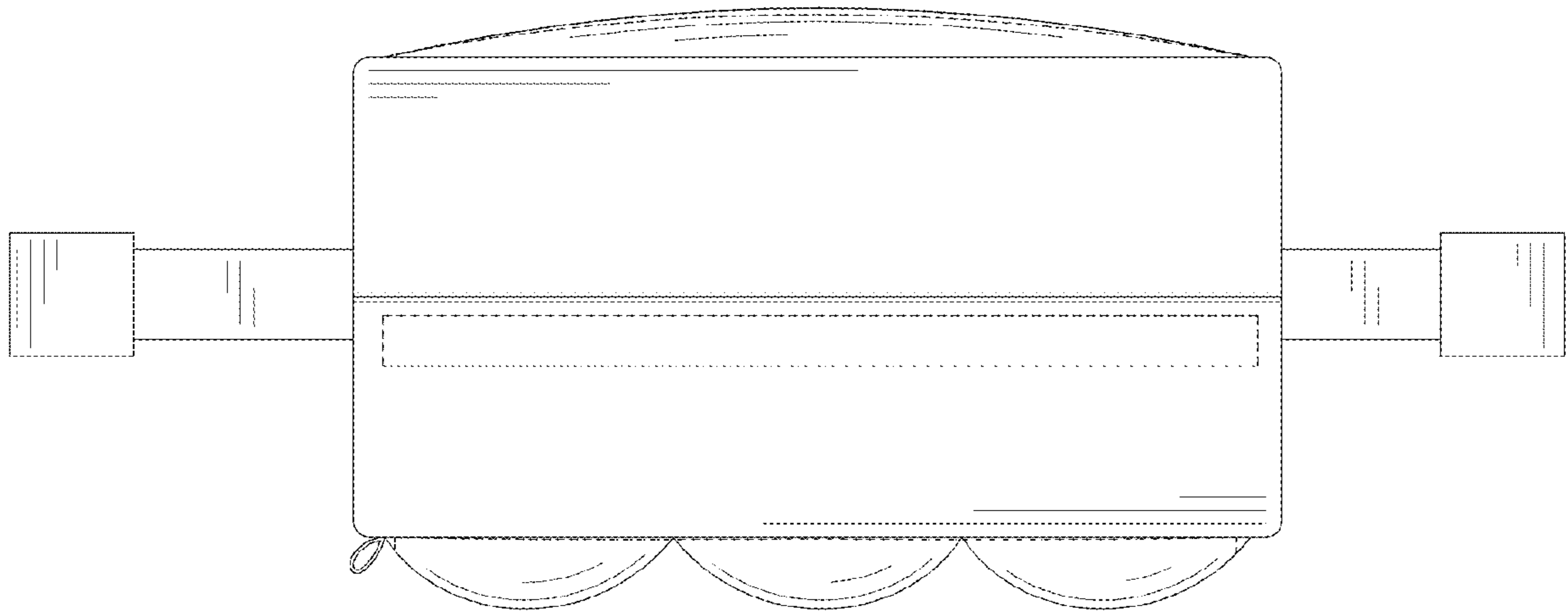


FIG. 8

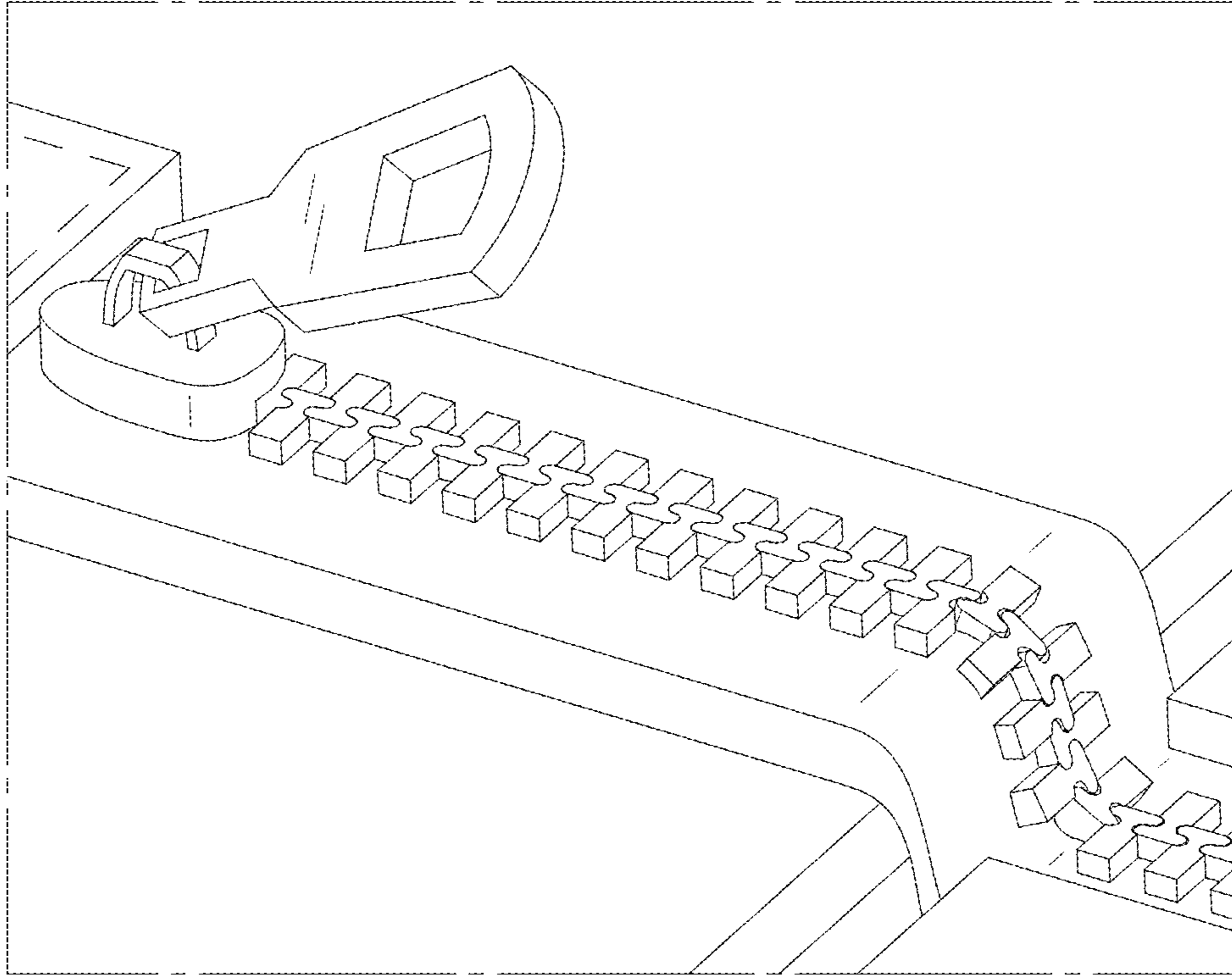


FIG. 9

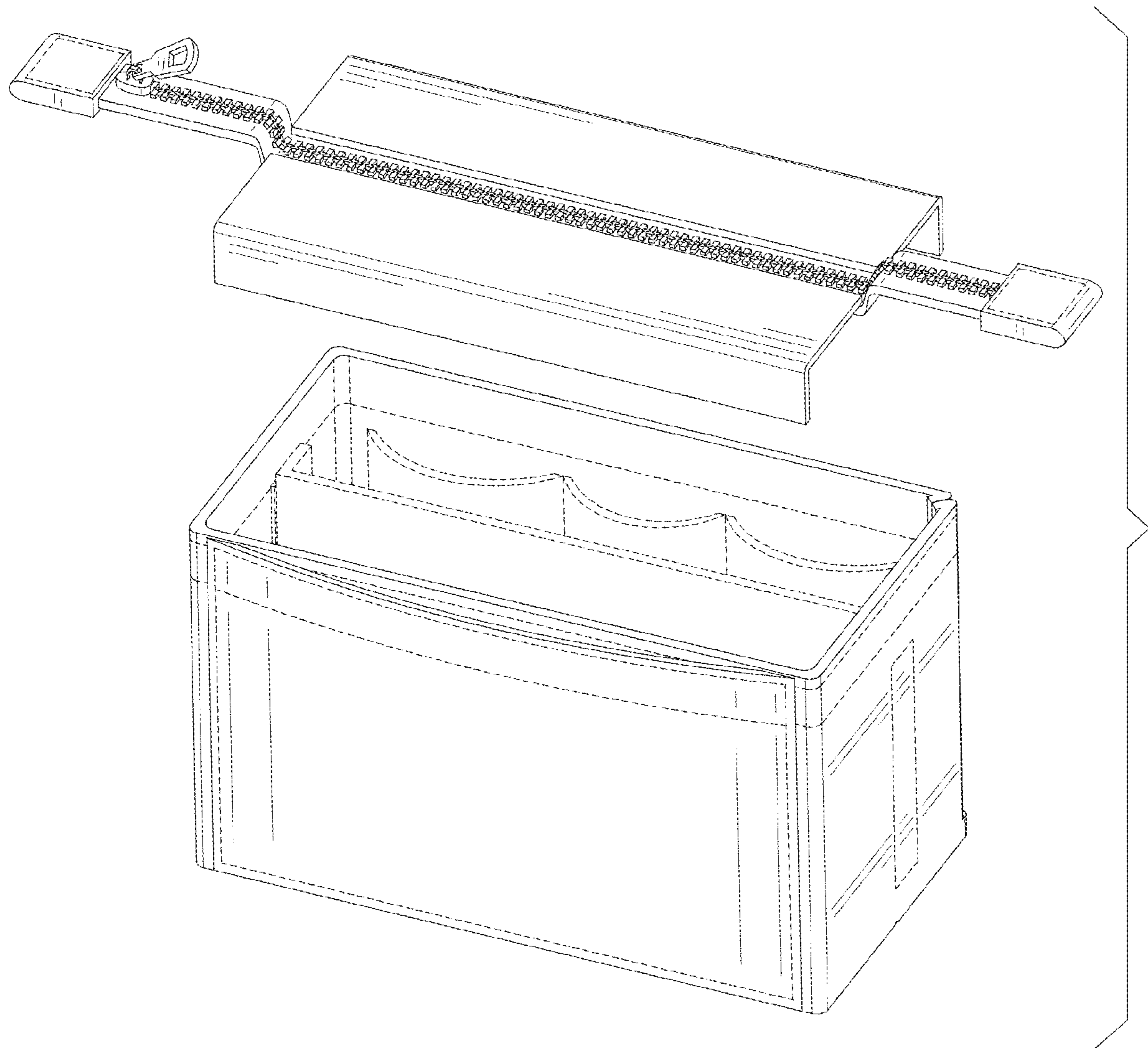


FIG. 10