



US00D961264S

(12) **United States Design Patent**
Sangirardi

(10) **Patent No.:** **US D961,264 S**
(45) **Date of Patent:** **** Aug. 23, 2022**

- (54) **INSERT FOR BOWLING BAG**
- (71) Applicant: **TORCH BOWLING INC.**, Medford, NY (US)
- (72) Inventor: **William F. Sangirardi**, Medford, NY (US)
- (**) Term: **15 Years**
- (21) Appl. No.: **29/652,926**
- (22) Filed: **Jan. 12, 2021**
- (51) **LOC (13) Cl.** **03-01**
- (52) **U.S. Cl.**
USPC **D3/319**
- (58) **Field of Classification Search**
USPC D9/655, 661, 662, 459, 456, 500, 501, D9/502, 503, 414, 415, 416, 418, 424, D9/430, 432, 433; D7/737, 748, 750, D7/751, 757, 759, 761, 762; D3/315, D3/318, 319, 320, 321; D21/785, 786
CPC B65D 5/00; B65D 5/001; B65D 5/0015; B65D 5/0227-0254; B65D 5/18; B65D 5/38; B65D 5/40; B65D 5/2033; B65D 5/40024; B65D 5/6605; B65D 1/22; B65D 1/24; B65D 1/34; B65B 25/001; B65B 5/068; B65B 7/2878; A23L 15/30
See application file for complete search history.

- D349,401 S * 8/1994 Carrillo D3/279
- D408,737 S * 4/1999 Warren, Jr. D9/456
- D470,053 S * 2/2003 Gratz D9/456
- D480,306 S * 10/2003 Gratz D9/456
- D494,867 S * 8/2004 Apps D9/456
- D515,423 S * 2/2006 Chu D9/456

(Continued)

OTHER PUBLICATIONS

Foam Insert for Bowling Bags: Announced Sep. 20, 2020 (online). Site Visited [May 20, 2022]. Available from Internet URL: <https://www.paramountindustriesinc.com/products/foam-inserts-for-bowling-bags>.*

(Continued)

Primary Examiner — Catherine S Posthauer
(74) *Attorney, Agent, or Firm* — Law Offices of Michael L. Wise, LLC

(57) **CLAIM**

The ornamental design for an insert for bowling bag, as shown and described.

DESCRIPTION

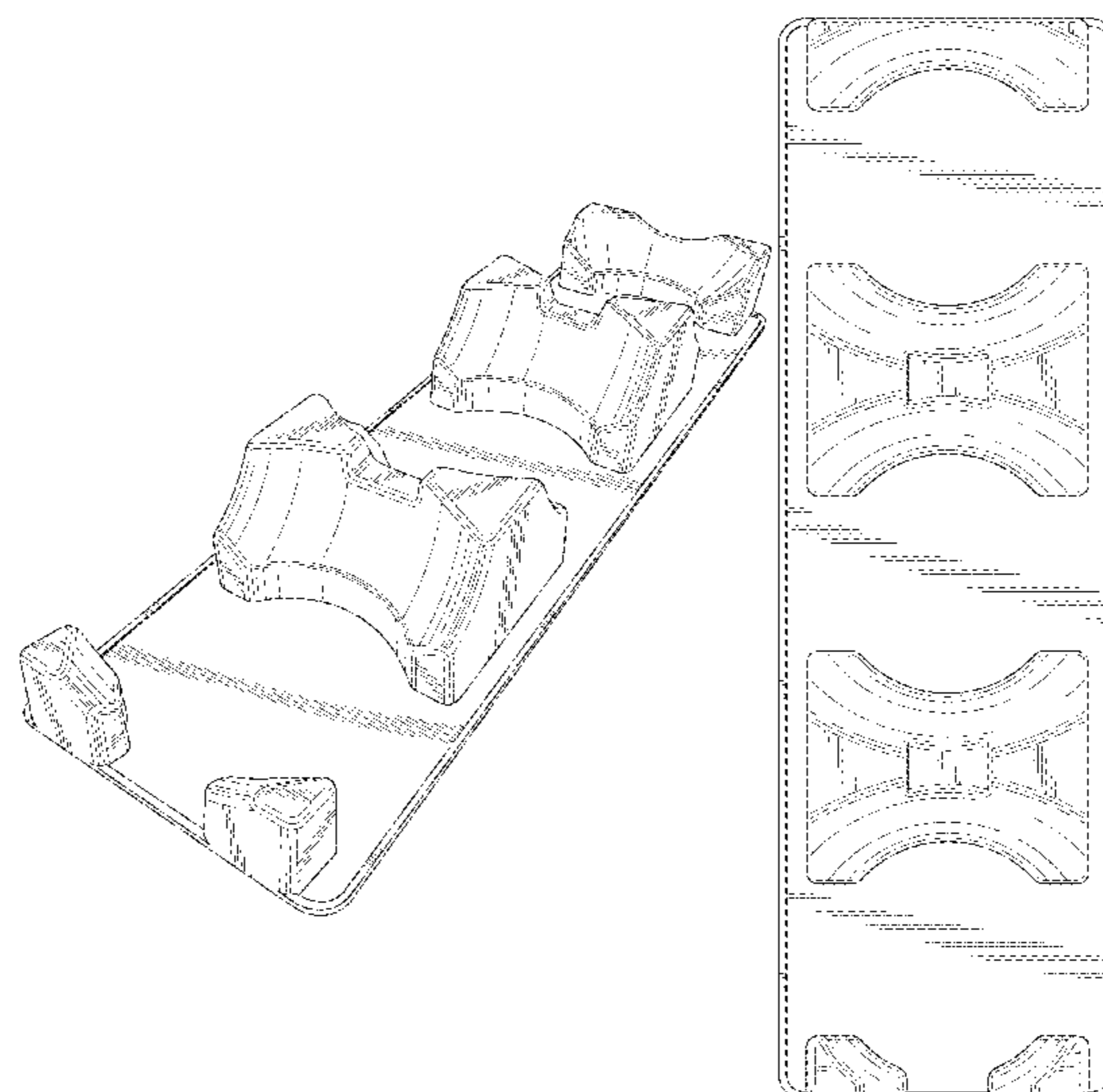
FIG. 1 is a front perspective view of an insert for bowling bag showing the new design; FIG. 2 is a bottom plan view thereof; FIG. 3 is a top plan view thereof; FIG. 4 is a right elevational view thereof; FIG. 5 is a left elevational view thereof; FIG. 6 is a front elevational view thereof; FIG. 7 is a rear elevational view thereof; and, FIG. 8 is a front perspective view thereof, shown in an exploded position of use with an exemplary bowling bag and bowling balls. The dot-dot-dash broken lines in the drawings define the bounds of the claimed design, while the dash-dash-dash broken lines in the drawings are directed to environment and form no part of the claimed design.

1 Claim, 7 Drawing Sheets

(56) **References Cited**

U.S. PATENT DOCUMENTS

- 3,101,166 A * 8/1963 Van Antwerpen B65D 5/504 206/588
- 3,180,554 A * 4/1965 Kuchenbecker B65D 5/5038 229/120.14
- 3,521,808 A * 7/1970 Weiss B65D 1/36 220/555
- D219,956 S * 2/1971 Clemens D9/456
- D248,147 S * 6/1978 Rauch D9/756
- D280,383 S * 9/1985 Tendick D9/425
- D301,013 S * 5/1989 Creaden D9/456
- D346,324 S * 4/1994 Warren D9/456



(56)

References Cited

U.S. PATENT DOCUMENTS

D518,720 S * 4/2006 Gratz D9/456
 D535,881 S * 1/2007 Liukko D9/756
 D549,452 S * 8/2007 Janky D3/301
 D555,472 S * 11/2007 Gedanke D9/425
 D556,564 S * 12/2007 Lee D9/415
 D561,025 S * 2/2008 Gilfert D9/456
 D592,955 S * 5/2009 Schulz D9/456
 D595,959 S * 7/2009 Wade D3/319
 D601,423 S * 10/2009 Canters D12/163
 D627,645 S * 11/2010 Ma D9/456
 D627,646 S * 11/2010 Li D9/456
 D627,647 S * 11/2010 Li D9/456
 D628,070 S * 11/2010 Ma D9/456
 D631,352 S * 1/2011 Gilfert D9/456
 D669,681 S * 10/2012 Burkemper D3/221
 D834,407 S * 11/2018 Miller D9/418
 D848,845 S * 5/2019 Dacey D9/456
 D860,790 S * 9/2019 Sedgwick D9/456
 D892,636 S * 8/2020 Troudt D9/761

D892,637 S * 8/2020 Troudt D9/761
 D918,032 S * 5/2021 Smith D9/425
 D934,069 S * 10/2021 Cook D9/737
 11,186,405 B2 * 11/2021 Hengami B65D 5/5014
 2015/0203243 A1 * 7/2015 Schwester B65D 5/38
 53/473
 2019/0343308 A1 * 11/2019 Beebe A47G 21/12

OTHER PUBLICATIONS

Case Club HEavy Duty Bowling Bag: Announced [Nov. 29, 2018 (online)]. Site Visited [May 20, 2022]. Available from Internet URL: <https://www.amazon.com/Case-Club-Waterproof-Bowling-Extension/dp/B07KZBT1LK?th=1>.*

3 Ball Tote: Site Visited [May 20, 2022]. Available from Internet URL: <https://www.bowlgenesis.com/products/genesis-sport-3-ball-tote-roller-with-add-on-shoe-bag>.*

XStrike 3-Ball Tote Roller Bag: Site Visited [May 20, 2022]. Available from Internet URL: <https://xstrikebowling.com/product/new-xstrike-3-ball-tote-roller-blue-red/>.*

* cited by examiner

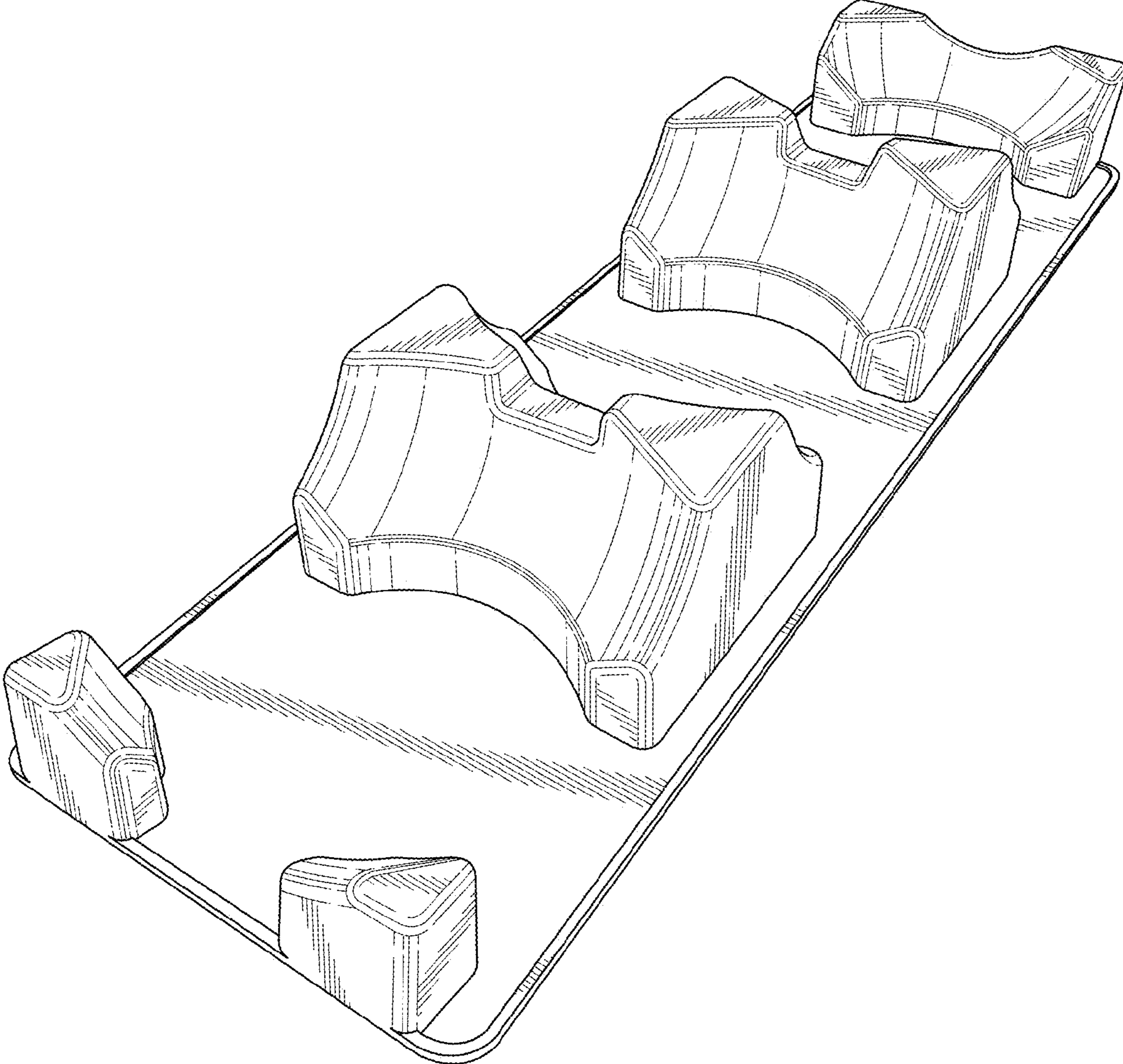


FIG. 1

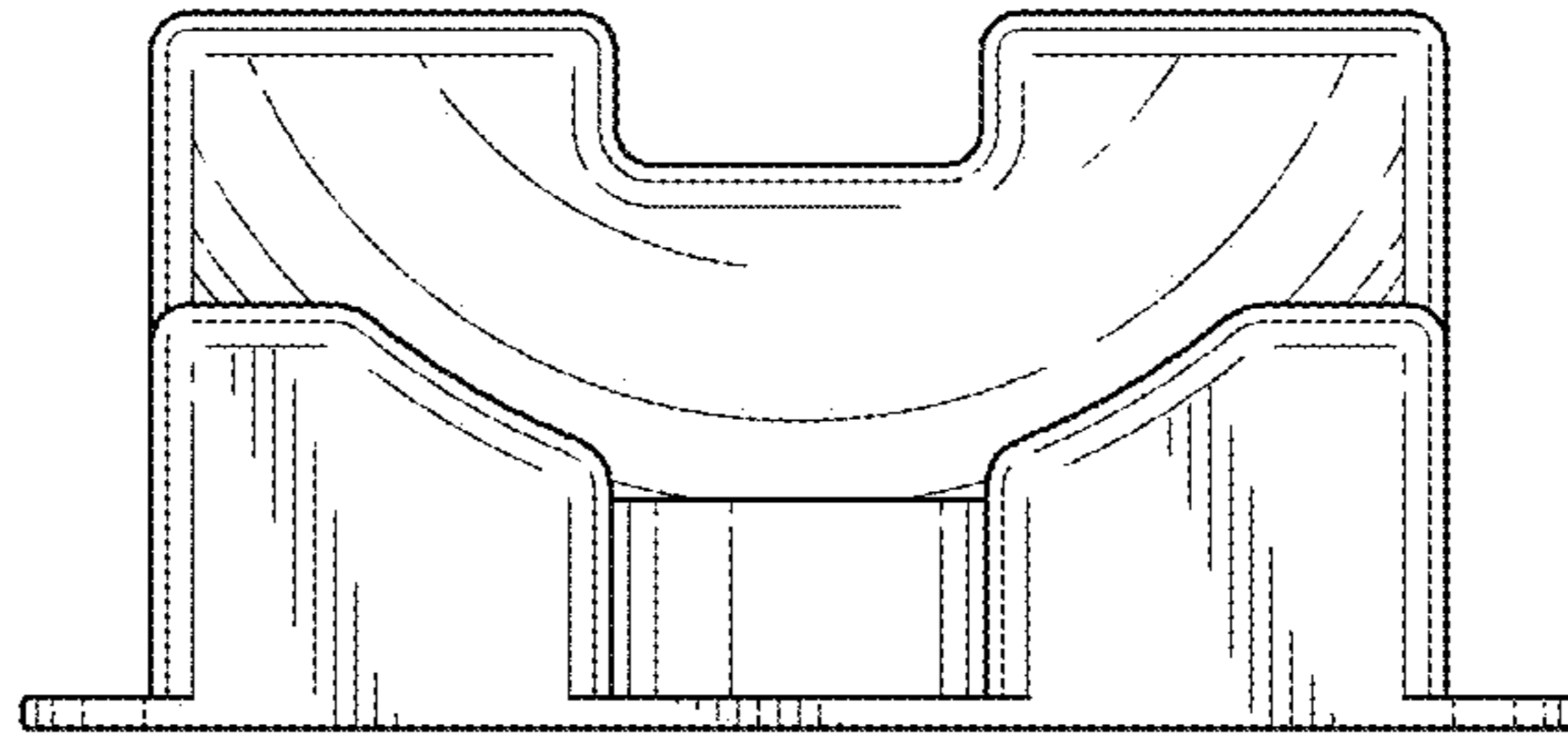


FIG. 2

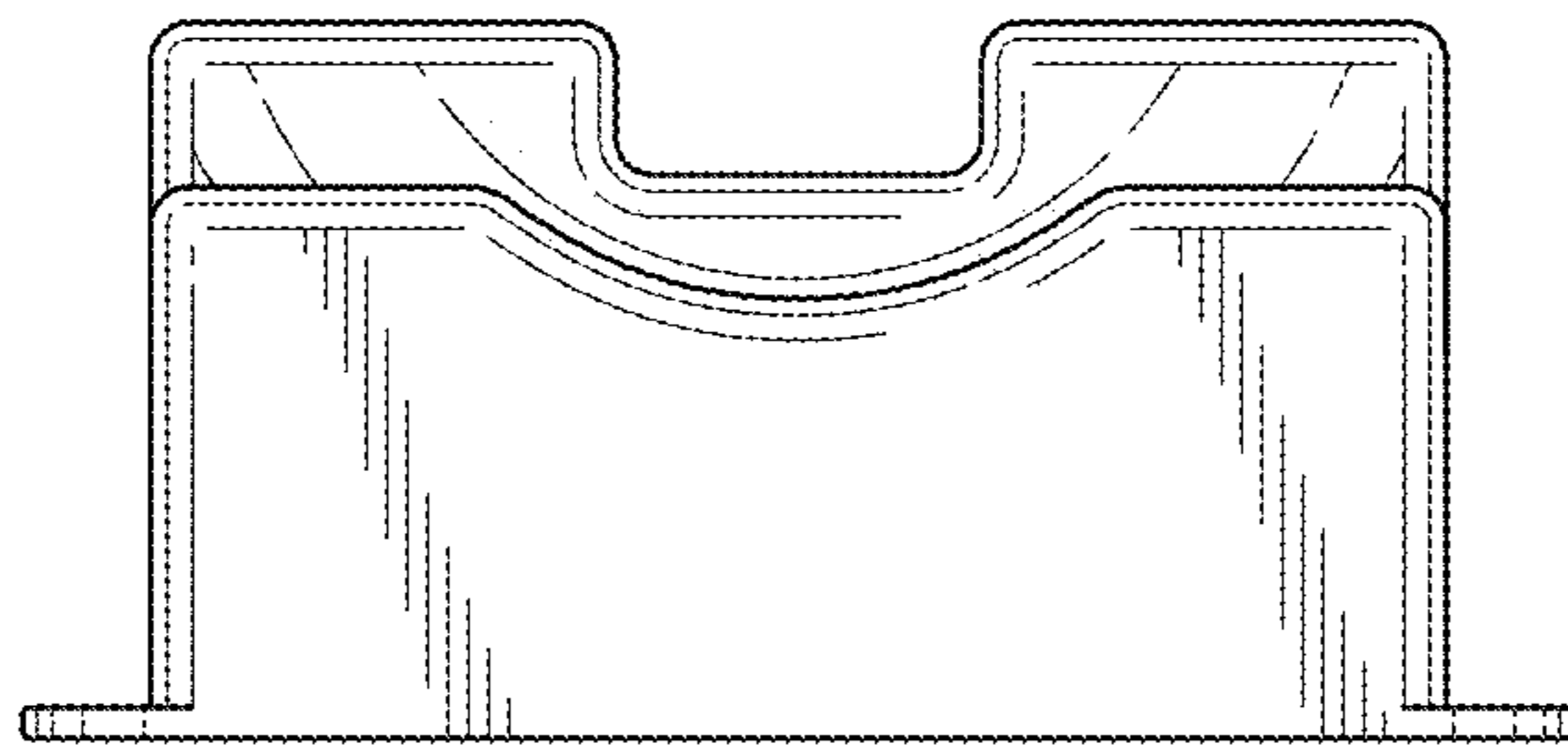


FIG. 3

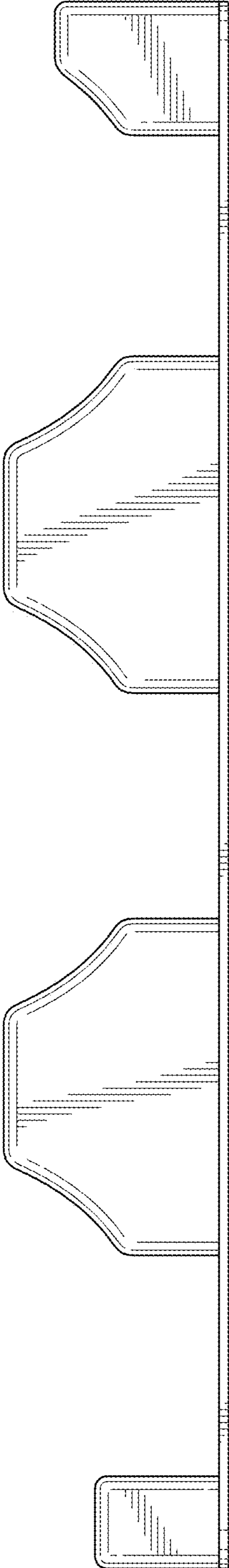


FIG. 4

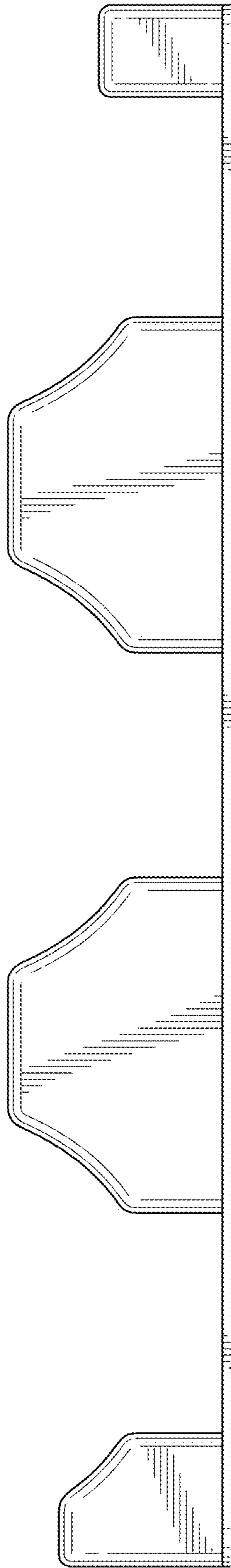


FIG. 5

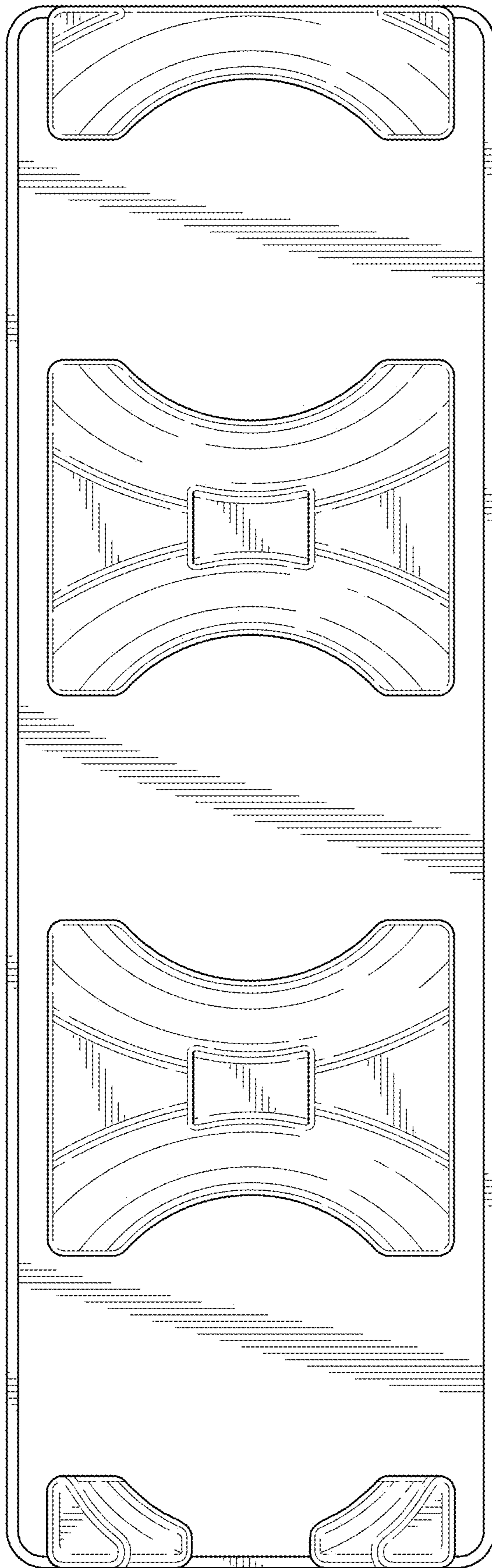


FIG. 6

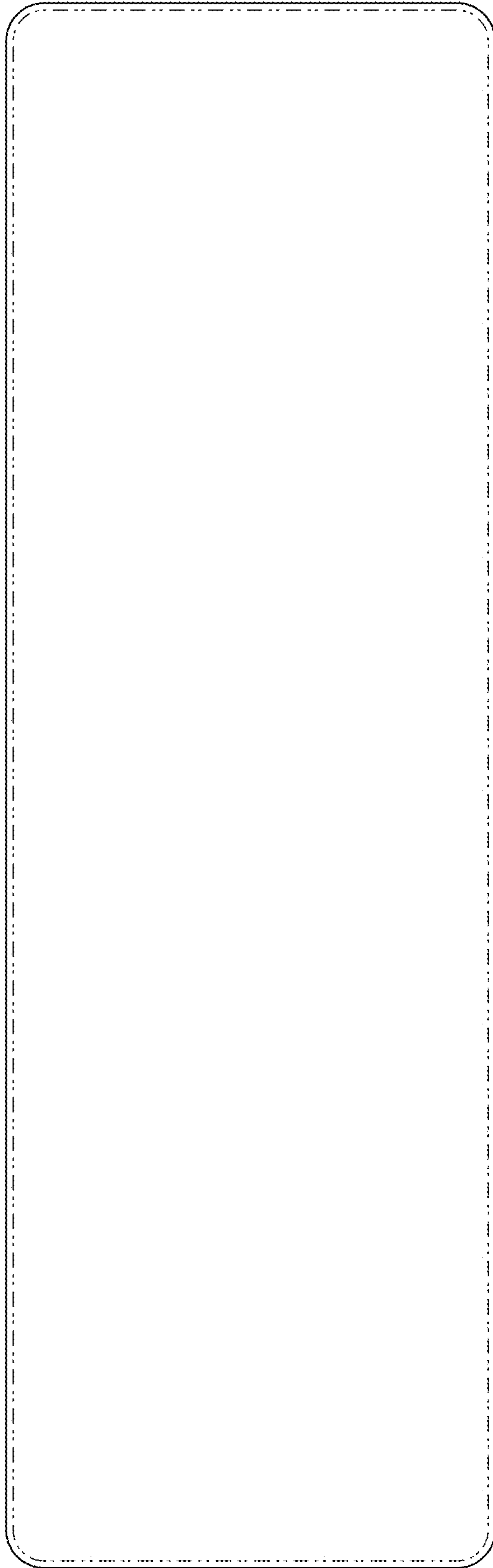


FIG. 7

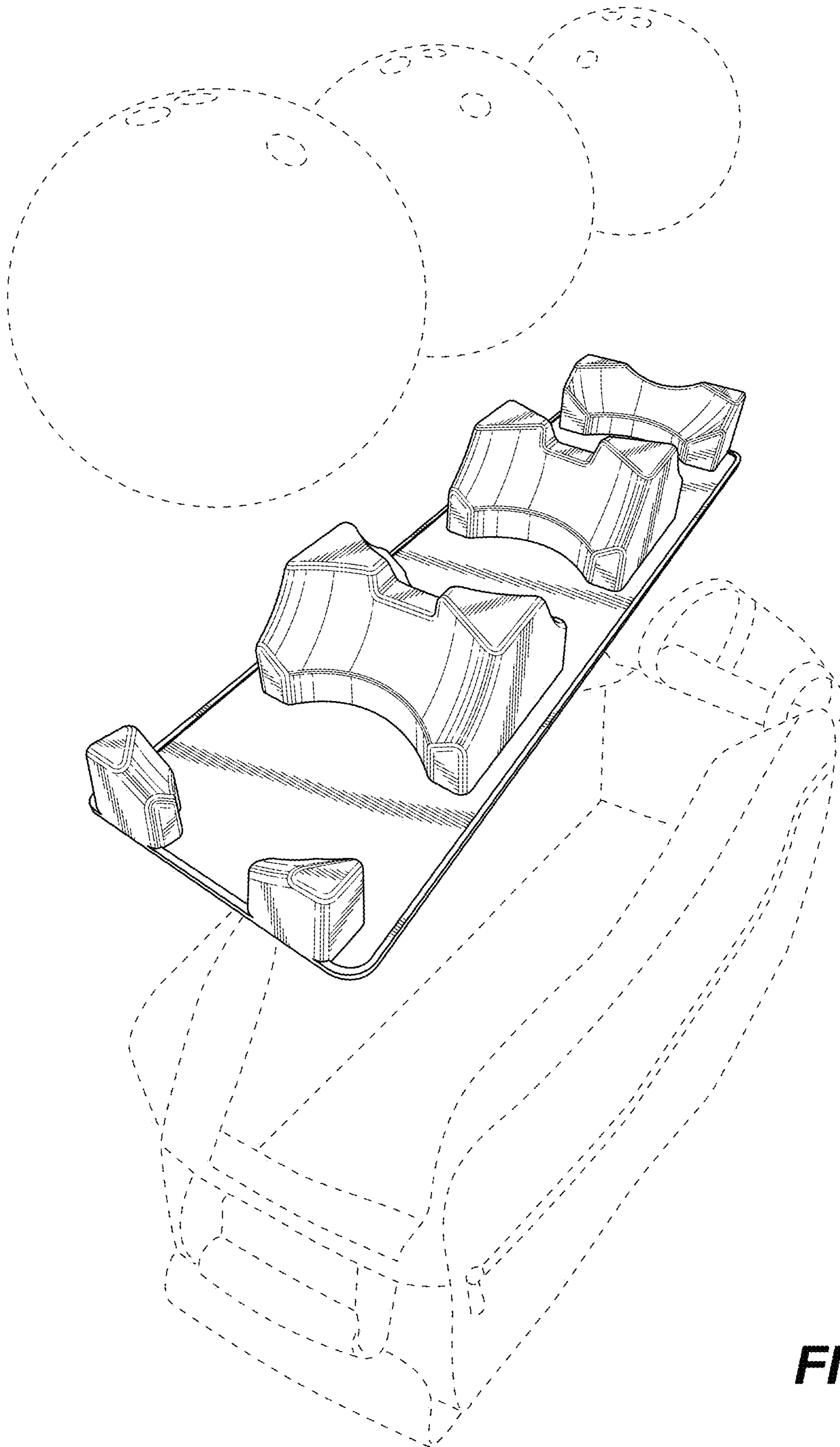


FIG. 8