



US00D961258S

(12) **United States Design Patent** (10) **Patent No.:** **US D961,258 S**  
**Caimi et al.** (45) **Date of Patent:** **\*\* Aug. 23, 2022**

(54) **SUITCASE**  
(71) Applicant: **Victorinox AG**, Ibach (CH)  
(72) Inventors: **Davide Caimi**, Ibach-Schwyz (CH);  
**Samuel Thürlemann**, Ibach-Schwyz (CH)  
(73) Assignee: **VICTORINOX AG**, Ibach (CH)  
(\*\*) Term: **15 Years**  
(21) Appl. No.: **35/511,105**  
(22) Filed: **Jul. 8, 2020**

D633,716 S \* 3/2011 Turella-Yuan ..... D3/279  
D675,018 S \* 1/2013 Roberts ..... D3/279  
D689,696 S \* 9/2013 Gregerson ..... D3/273  
D703,435 S \* 4/2014 Wile ..... D3/279  
D734,030 S \* 7/2015 Wang ..... D3/274  
D783,289 S \* 4/2017 Moon ..... D3/321  
D785,946 S \* 5/2017 Moon ..... D3/321  
D791,477 S \* 7/2017 Liu ..... D3/279  
D792,107 S \* 7/2017 Morszeck ..... D3/321  
D796,207 S \* 9/2017 Morszeck ..... D3/321  
D796,844 S \* 9/2017 Morszeck ..... D3/321  
D797,456 S \* 9/2017 Chen ..... D3/318  
D817,638 S \* 5/2018 Salander ..... D3/279  
D821,098 S \* 6/2018 Sheikh ..... D3/318  
D824,169 S \* 7/2018 Guo ..... D3/279

(Continued)

(80) **Hague Agreement Data**  
Int. Filing Date: **Jul. 8, 2020**  
Int. Reg. No.: **DM/209447**  
Int. Reg. Date: **Jul. 8, 2020**  
Int. Reg. Pub. Date: **Jan. 8, 2021**  
(51) **LOC (13) Cl.** ..... **03-01**  
(52) **U.S. Cl.**  
USPC ..... **D3/279**  
CPC ..... **A45C 5/14** (2013.01)  
(58) **Field of Classification Search**  
USPC ..... D3/273, 276, 279, 281, 291, 321, 274,  
D3/283, 292, 318, 319, 322, 282, 289,  
D3/902  
CPC ..... A45C 5/02; A45C 13/262; A45C 5/14;  
A45C 5/03; A45C 13/36; A45C  
2005/037; B32B 3/263; B32B 27/08;  
B32B 27/40; B32B 1/02; B32B 7/12;  
B32B 27/32; B32B 2307/536; B32B  
2439/40; B32B 2307/584  
See application file for complete search history.

**FOREIGN PATENT DOCUMENTS**

EP 3123893 A1 \* 2/2017  
*Primary Examiner* — Richard E Chilcot  
(74) *Attorney, Agent, or Firm* — Sughrue Mion, PLLC

(57) **CLAIM**

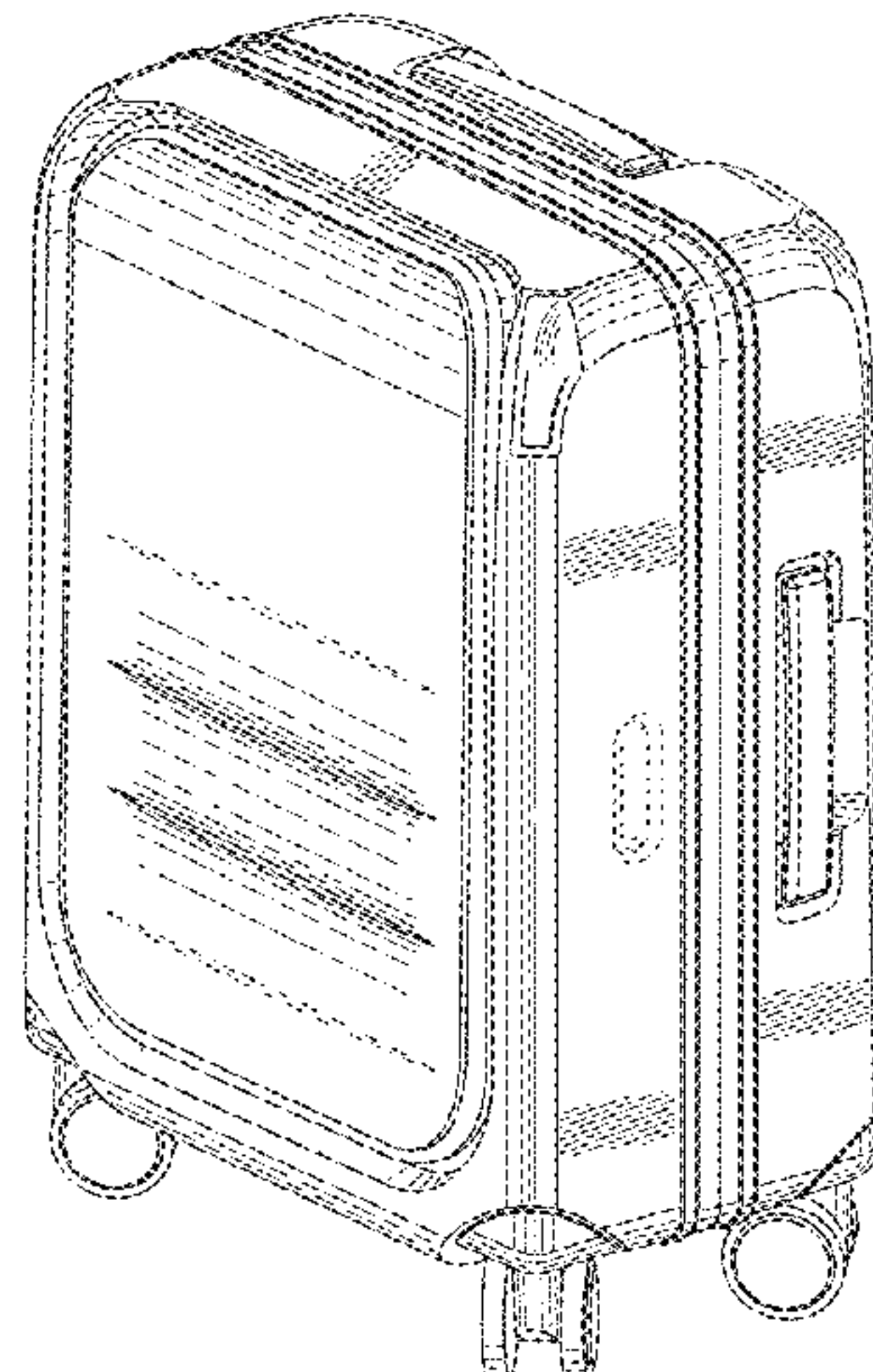
The ornamental design for a suitcase, as shown and described.

**DESCRIPTION**

FIG. 3.1 is a perspective view of the suitcase according to the invention;  
FIG. 3.2 is a front view thereof;  
FIG. 3.3 is a back view thereof;  
FIG. 3.4 is a right side view thereof;  
FIG. 3.5 is a left side view thereof;  
FIG. 3.6 is a top view thereof;  
FIG. 3.7 is a bottom view thereof;  
FIG. 3.8 is a front view thereof with section lines;  
FIG. 3.9 is a partial sectional view thereof;  
FIG. 3.10 is a partial sectional view thereof;  
FIG. 3.11 is a back view thereof with section lines;  
FIG. 3.12 is a partial sectional view thereof; and  
FIG. 3.13 is a partial sectional view thereof.

(Continued)

(56) **References Cited**  
**U.S. PATENT DOCUMENTS**  
D285,626 S \* 9/1986 Yen ..... D3/292  
D435,341 S \* 12/2000 Li ..... D3/276  
D473,380 S \* 4/2003 Chen ..... D3/322



The broken lines are used to show portions of the suitcase that are not being claimed, and thus form no part of the claimed design.

**1 Claim, 13 Drawing Sheets**

(56) **References Cited**

U.S. PATENT DOCUMENTS

D861,341	S	*	10/2019	Xu	.....	D3/279
D874,139	S	*	2/2020	Rubio	.....	D3/279
D876,091	S	*	2/2020	Baron	.....	D3/279
D881,569	S	*	4/2020	Rubio	.....	D3/279
D881,570	S	*	4/2020	Rubio	.....	D3/279
D899,083	S	*	10/2020	Rubio	.....	D3/279
D907,920	S	*	1/2021	Li	.....	D3/279
D909,062	S	*	2/2021	Qian	.....	D3/279
D915,068	S	*	4/2021	Rubio	.....	D3/285
D922,067	S	*	6/2021	Huang	.....	A45C 5/00 D23/269
D935,178	S	*	11/2021	Dumas	.....	A45C 5/14 D3/279
D936,359	S	*	11/2021	Gadenne	.....	D3/279
D938,724	S	*	12/2021	Lin	.....	D3/279
D946,891	S	*	3/2022	Huang	.....	D3/279
D946,894	S	*	3/2022	Seiders	.....	D3/312
2011/0186396	A1	*	8/2011	Sheikh	.....	A45C 5/03 190/111
2019/0313752	A1	*	10/2019	Luo	.....	A45C 13/04
2020/0187609	A1	*	6/2020	Hillaert	.....	A45C 5/02

\* cited by examiner

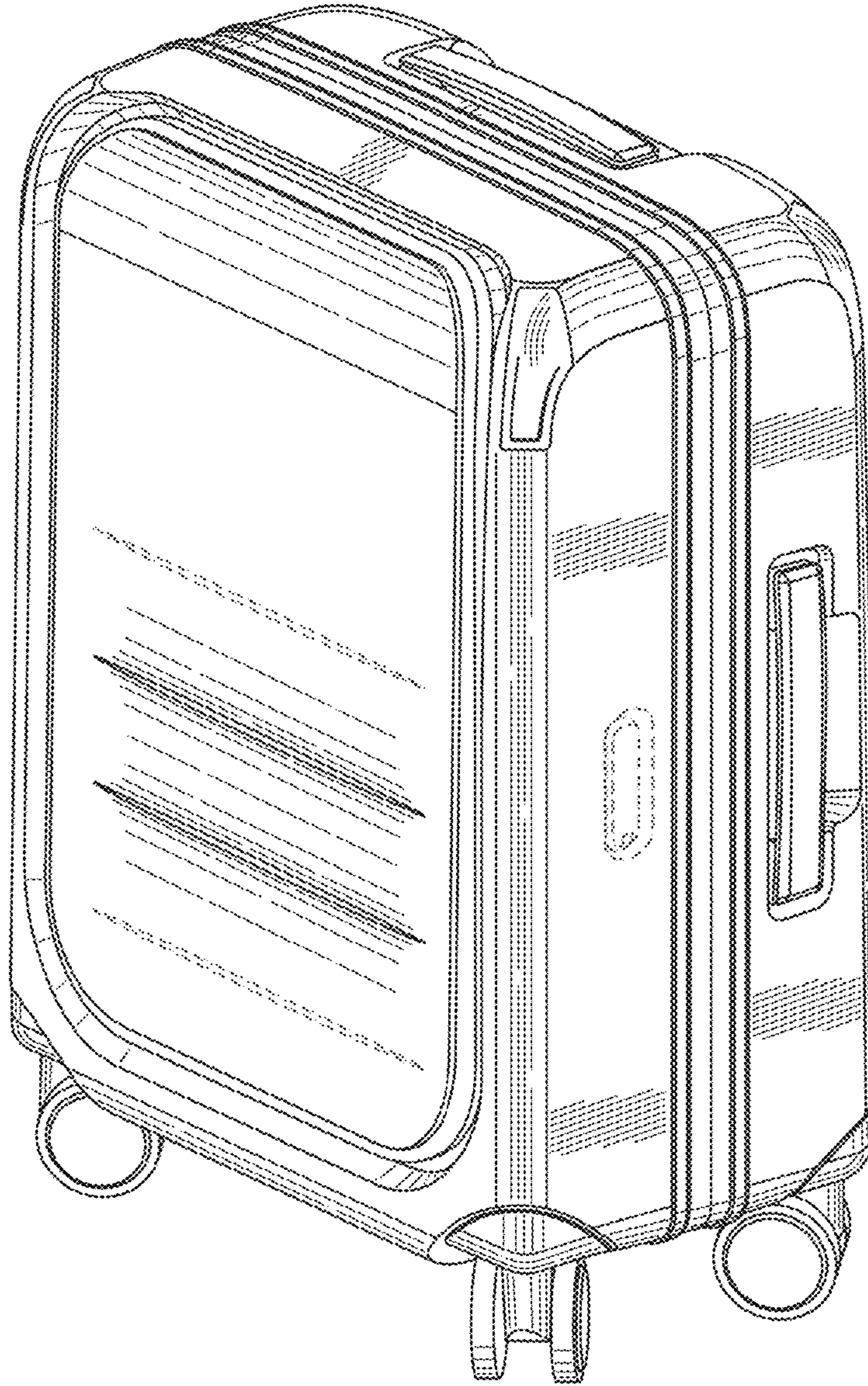


Fig. 3.1



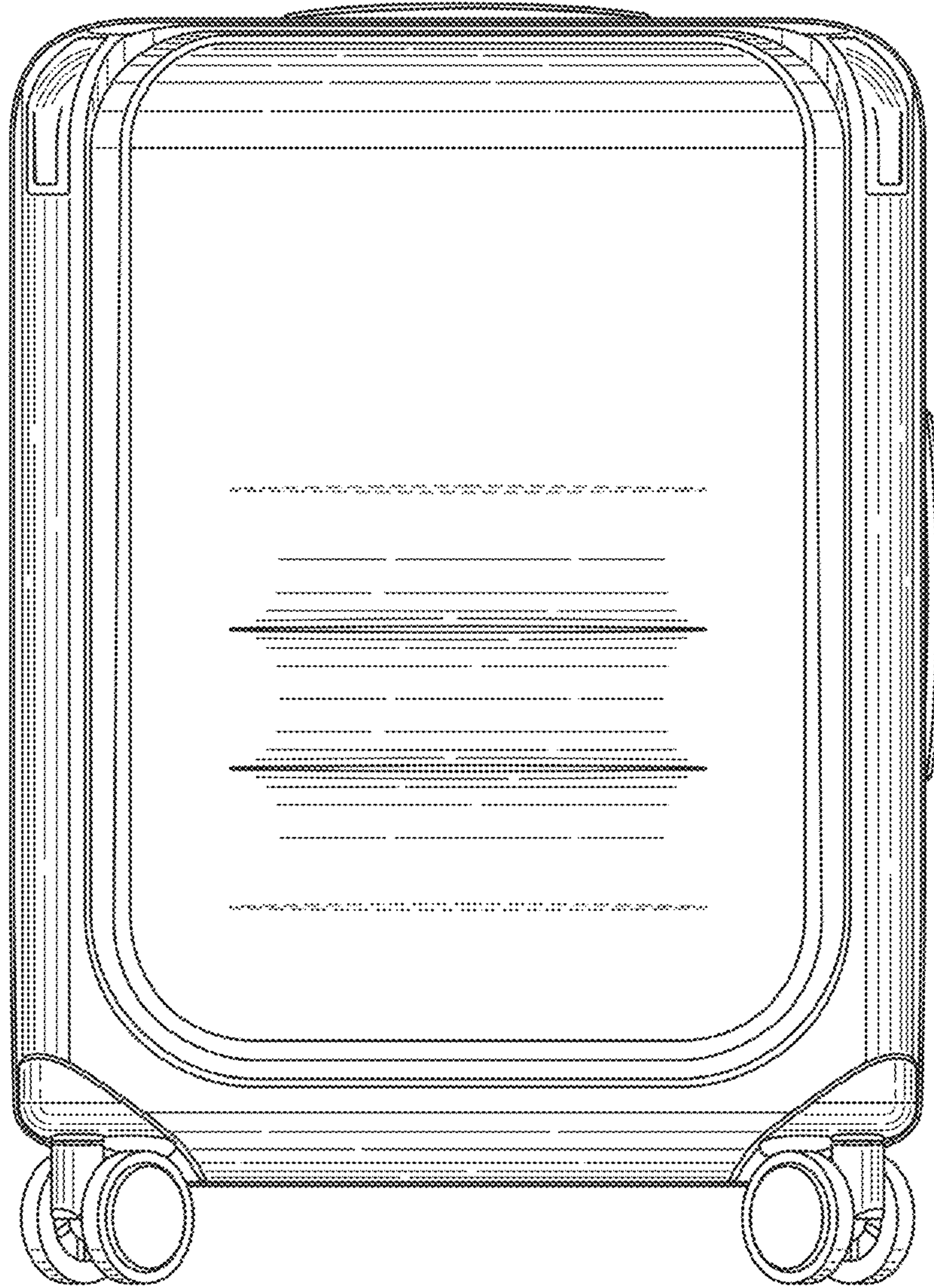


Fig. 3.2

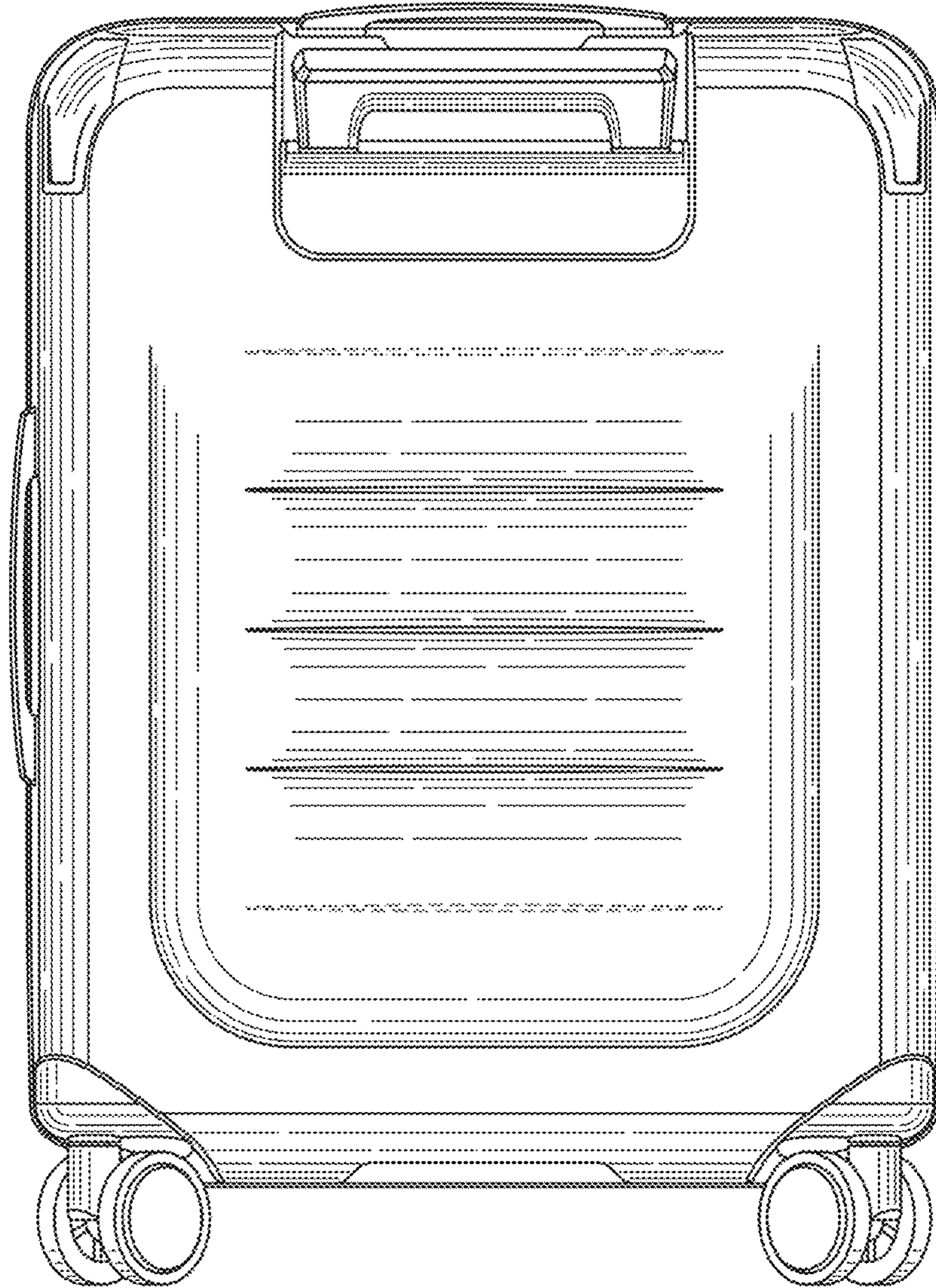


Fig. 3.3

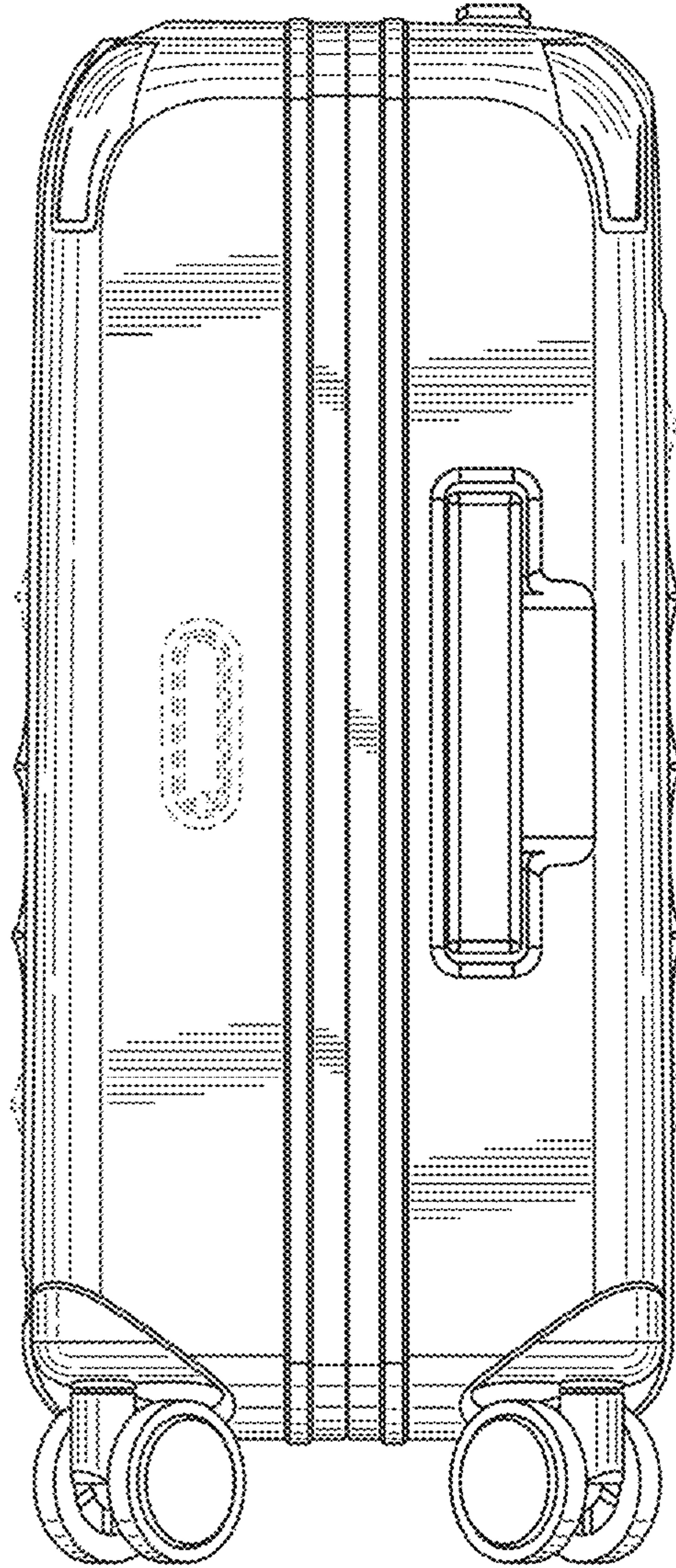


Fig. 3.4



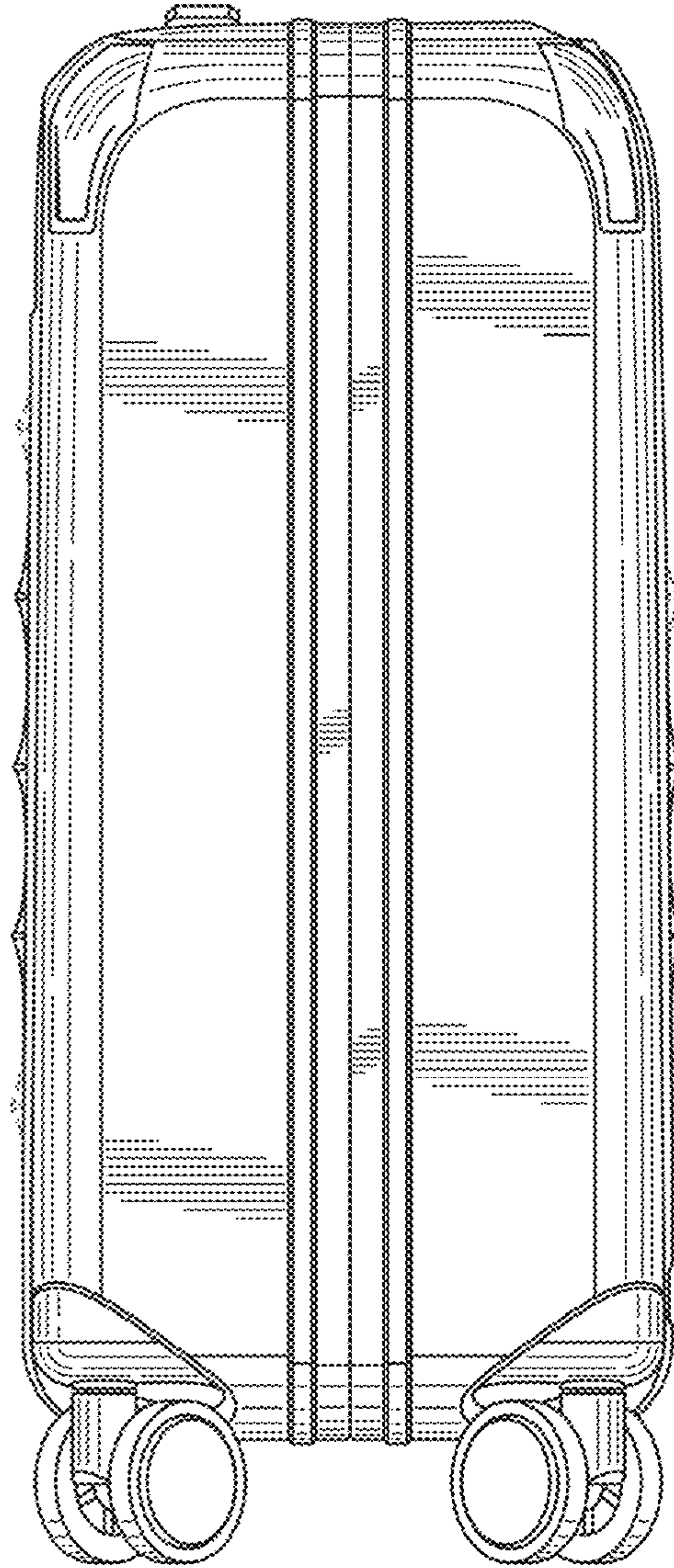


Fig. 3.5

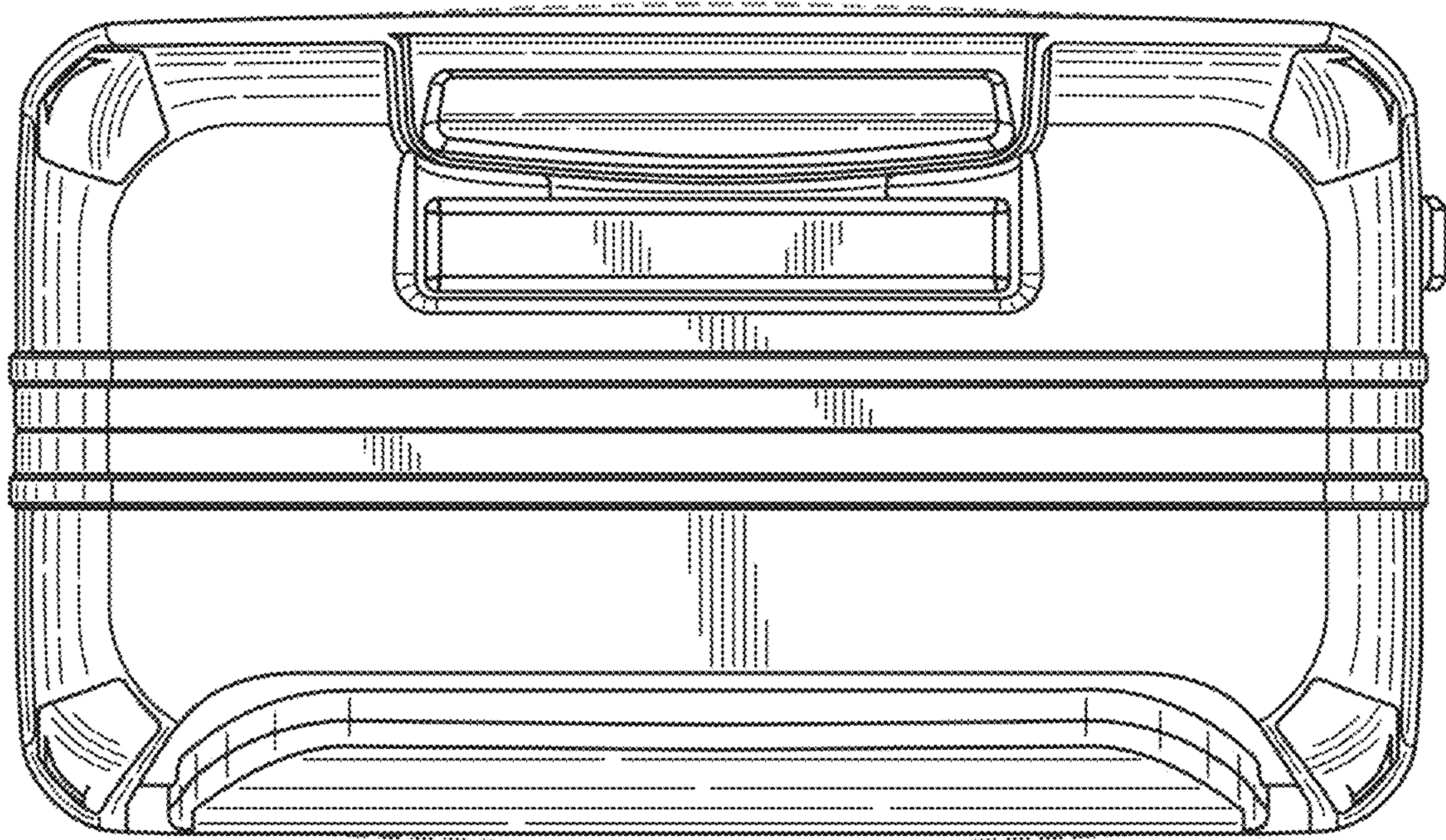


Fig. 3.6



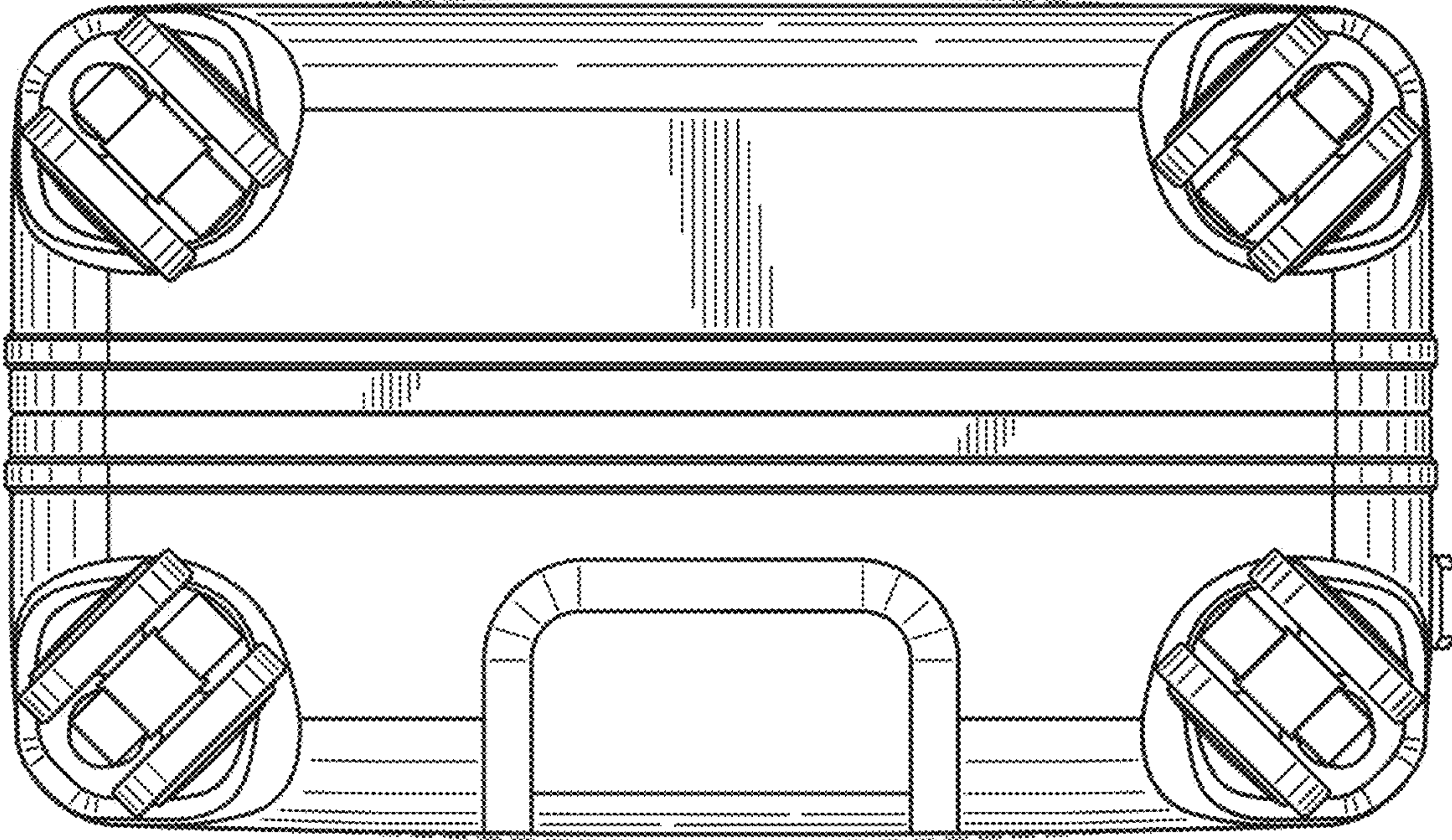


Fig. 3.7

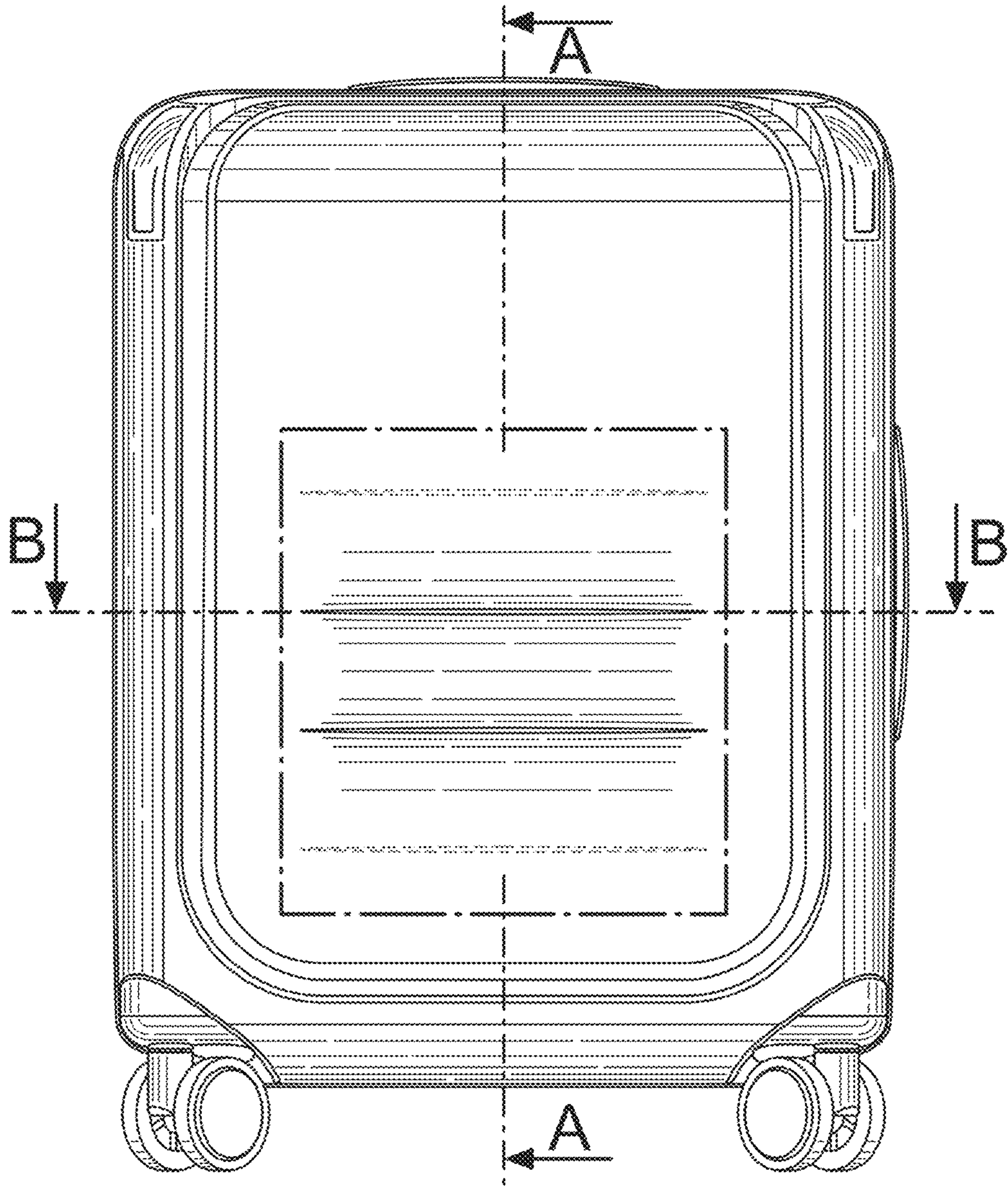


Fig. 3.8

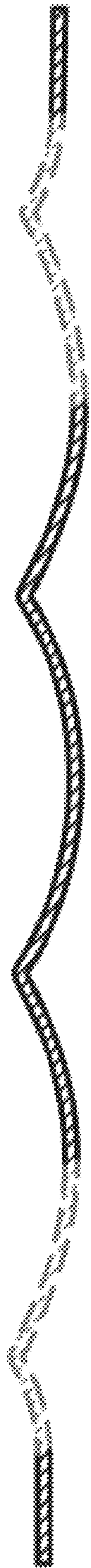


Fig. 3.9



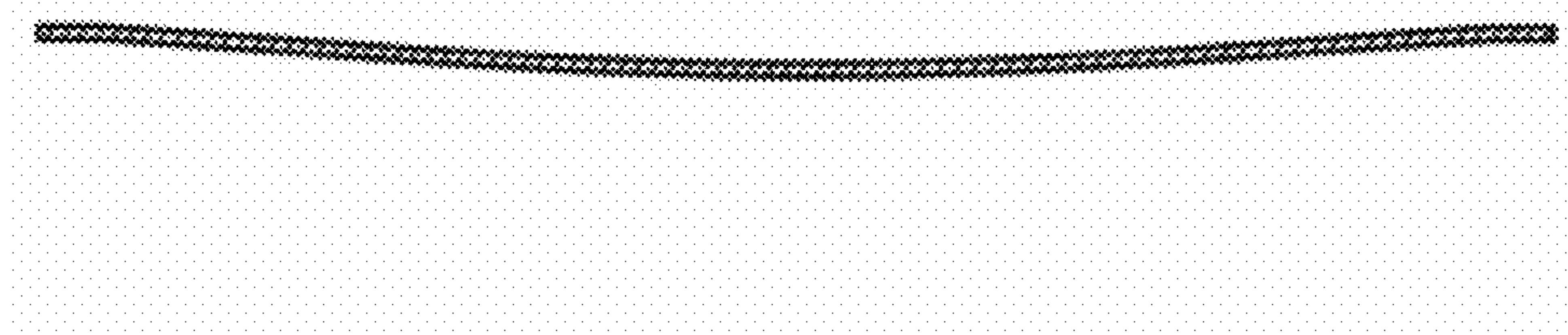


Fig. 3.10

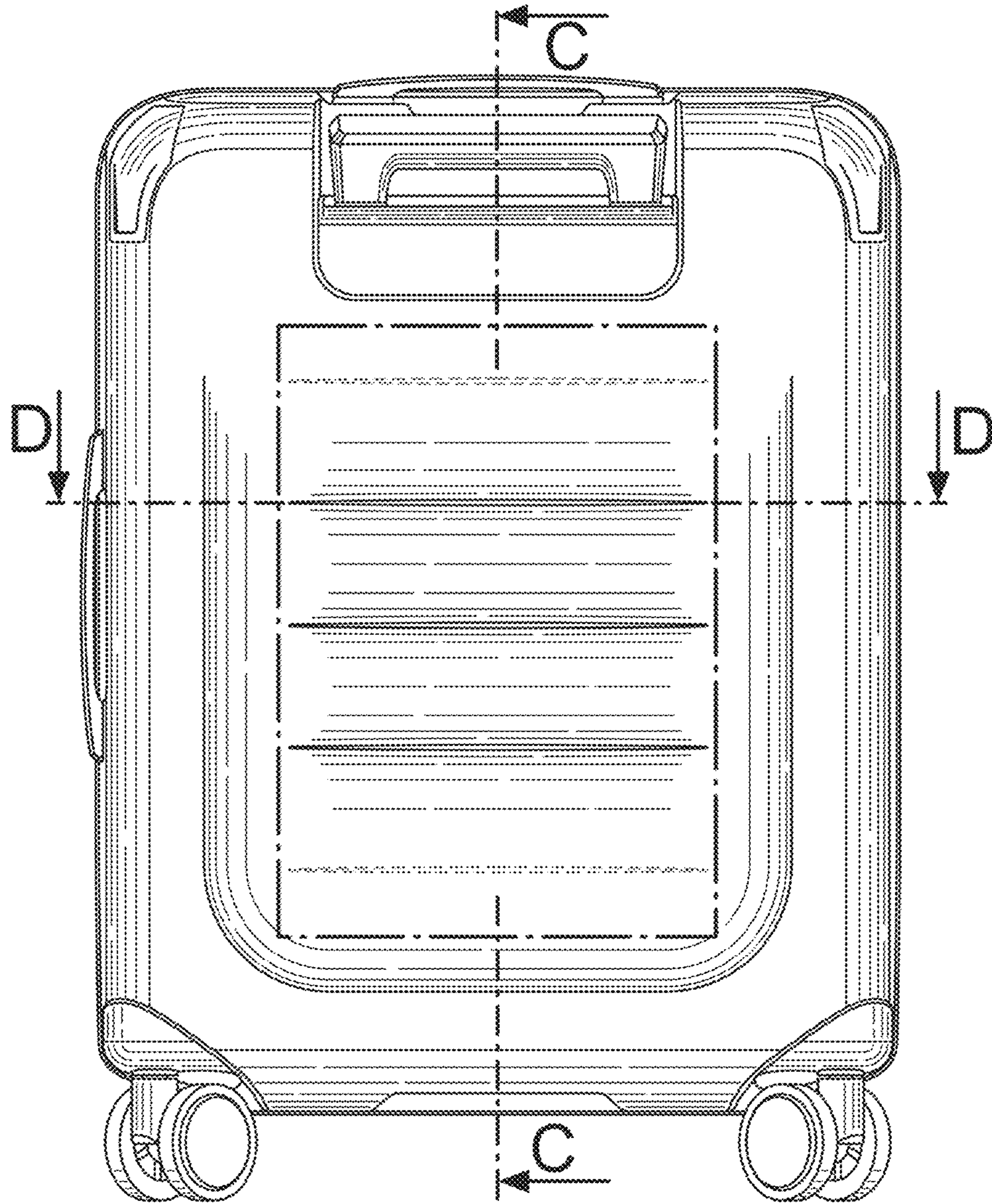


Fig. 3.11

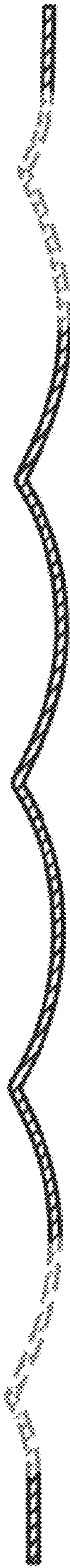


Fig. 3.12



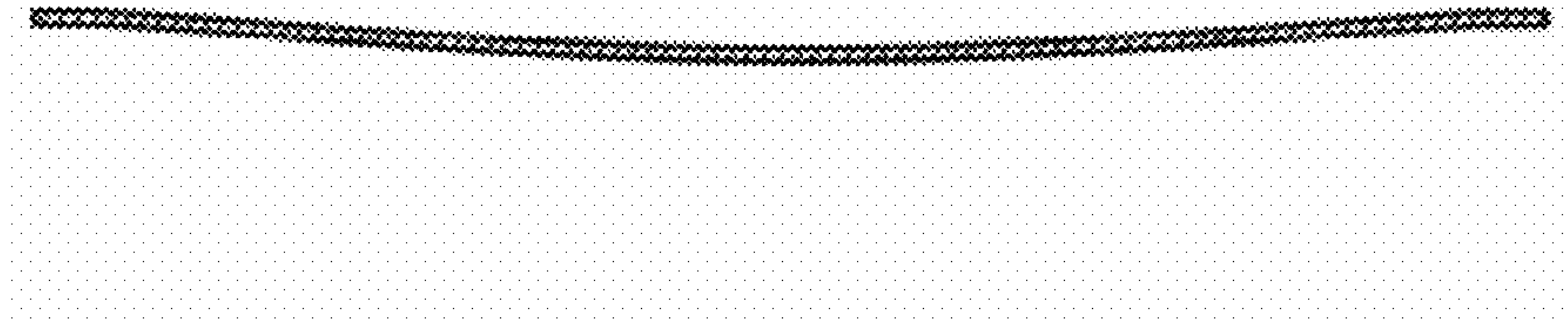


Fig. 3.13