

US00D961257S

(12) **United States Design Patent**
Mercado et al.

(10) **Patent No.:** **US D961,257 S**
(45) **Date of Patent:** **** Aug. 23, 2022**

(54) **HELMET CARRIER**

(71) Applicants: **Julio Mercado**, Bakersfield, CA (US);
Linda Eggert, Bakersfield, CA (US)

(72) Inventors: **Julio Mercado**, Bakersfield, CA (US);
Linda Eggert, Bakersfield, CA (US)

(**) Term: **15 Years**

(21) Appl. No.: **29/733,593**

(22) Filed: **May 5, 2020**

(51) **LOC (13) Cl.** **03-01**

(52) **U.S. Cl.**
USPC **D3/279; D3/284**

(58) **Field of Classification Search**
USPC D3/272, 273, 274, 275, 276, 277, 278,
D3/279, 280, 281, 282, 283, 284, 285, 38,
D3/74, 201, 204, 221, 254, 260, 286, 294,
D3/295, 299, 904, 905; D6/336, 440,
D6/663, 667, 552, 559; D28/9; D7/701,
D7/702, 703; D9/420
CPC A47C 1/146; B65D 51/04; B62B 1/12
See application file for complete search history.

(56) **References Cited**

U.S. PATENT DOCUMENTS

3,698,563	A	10/1972	Gordon	
D317,082	S *	5/1991	Madison	D3/279
D335,416	S	5/1993	Shaw	
D338,555	S *	8/1993	Olson	D3/260
D377,572	S	1/1997	Martin	
5,630,516	A	5/1997	Helman	
5,797,612	A *	8/1998	Buccioni	B62B 1/12 280/47.19
D402,458	S *	12/1998	Brooks	D3/201
D406,462	S *	3/1999	Emery, III	D3/276
D486,305	S *	2/2004	Leeb	D3/284
6,948,628	B1	9/2005	Sahlem	
D580,717	S *	11/2008	Witt	D3/284
7,837,043	B2	11/2010	Reason-Kerkhoff	

7,954,639	B2	6/2011	Carney	
D677,833	S *	3/2013	Key	D28/9
D688,456	S *	8/2013	Hare	D3/279
D728,931	S *	5/2015	Faupel	D3/274
D937,574	S *	12/2021	Collins	D3/254

FOREIGN PATENT DOCUMENTS

CN 302785111 * 4/2014

OTHER PUBLICATIONS

adorama.com, site visited Jan. 26, 2022, Godox CB Hard Carrying Case with wheels, oldest review is Sep. 1, 2017, <https://www.adorama.com/r/gocb06-reviews> (Year: 2017).*

(Continued)

Primary Examiner — Brett Miller
Assistant Examiner — Jessica M Gebhart

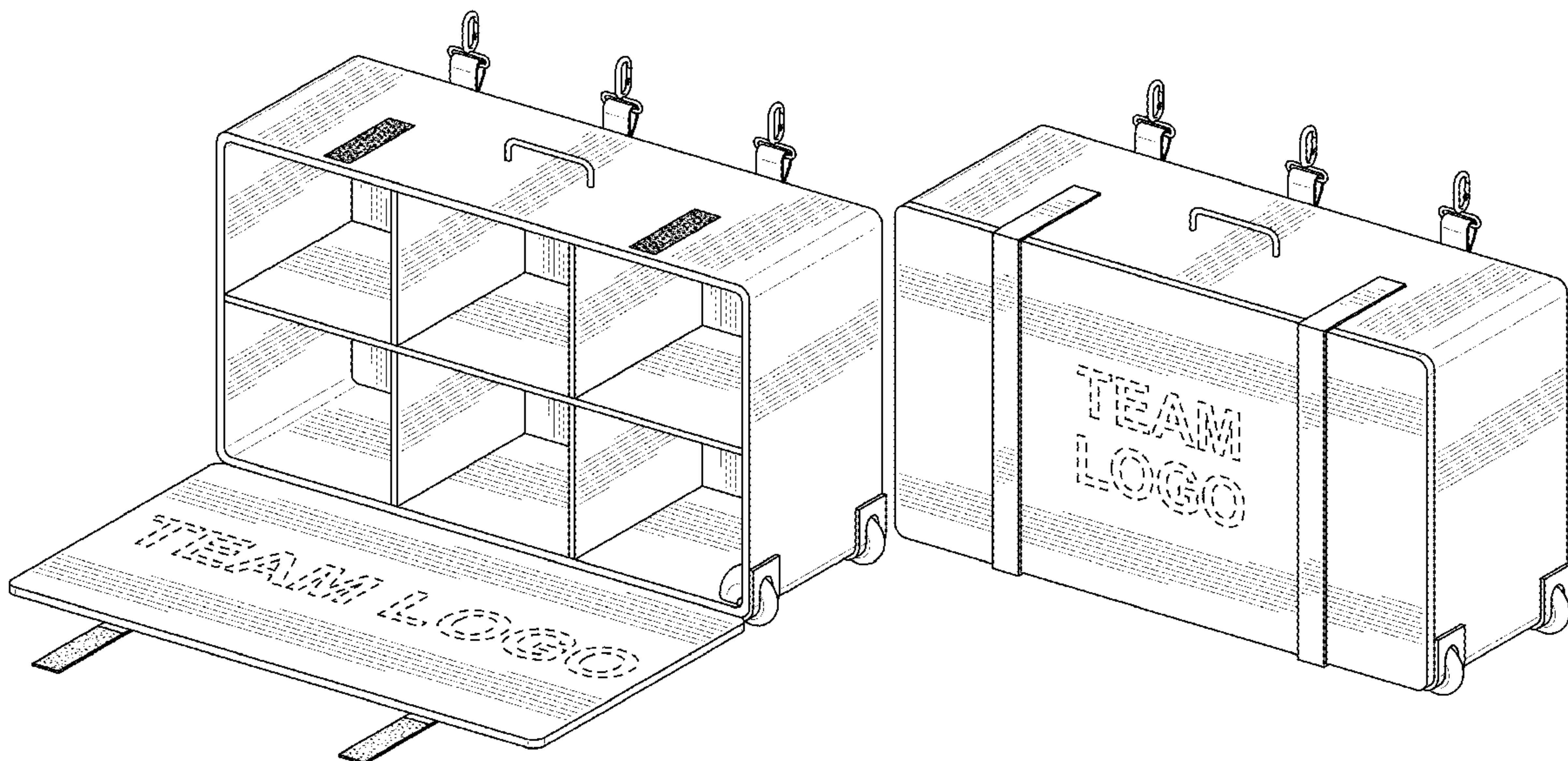
(57) **CLAIM**

The ornamental design for a helmet carrier, as shown and described.

DESCRIPTION

FIG. 1 is a front view of a helmet carrier showing my new design;
FIG. 2 is a rear view of the helmet carrier;
FIG. 3 is a right side view of the helmet carrier;
FIG. 4 is a left side view of the helmet carrier;
FIG. 5 is a top view of the helmet carrier;
FIG. 6 is a bottom view of the helmet carrier;
FIG. 7 is a top front side perspective view of the helmet carrier; and,
FIG. 8 is a top front side perspective view of the helmet carrier in an alternate position.
The broken lines shown on the helmet carrier are for the purpose of illustrating environmental structure, and form no part of the claimed design.

1 Claim, 6 Drawing Sheets



(56)

References Cited

OTHER PUBLICATIONS

youtube.com, site visited Jan. 26, 2022, Scicon “Team Helmet Carry Bag—Scicon Sports” published on Sep. 9, 2021 features Helmet carry bag with 9 dedicated slots for helmets, <https://youtu.be/lxJtev6WO50> (Year: 2021).*

* cited by examiner

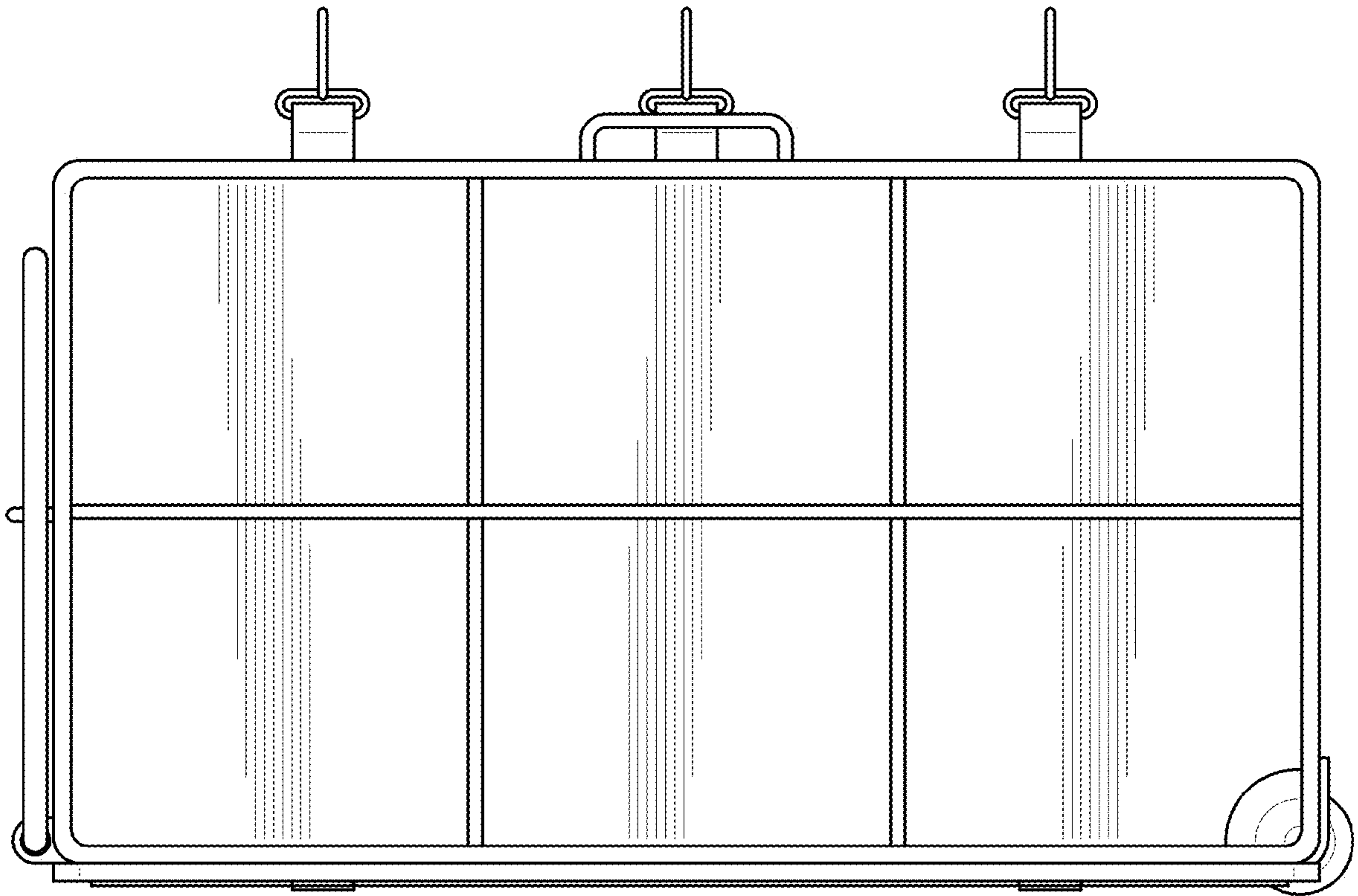


FIG. 1

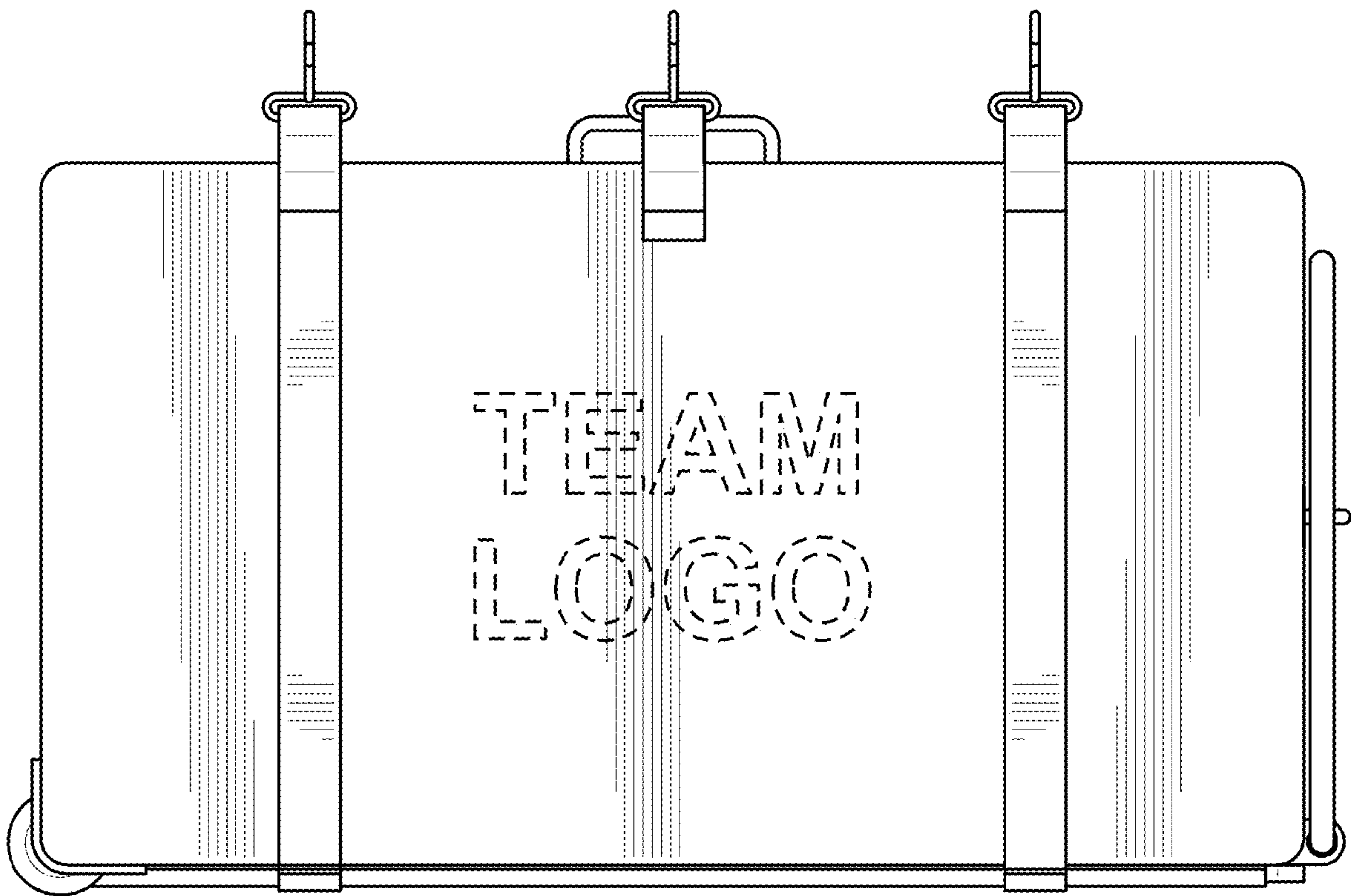


FIG. 2

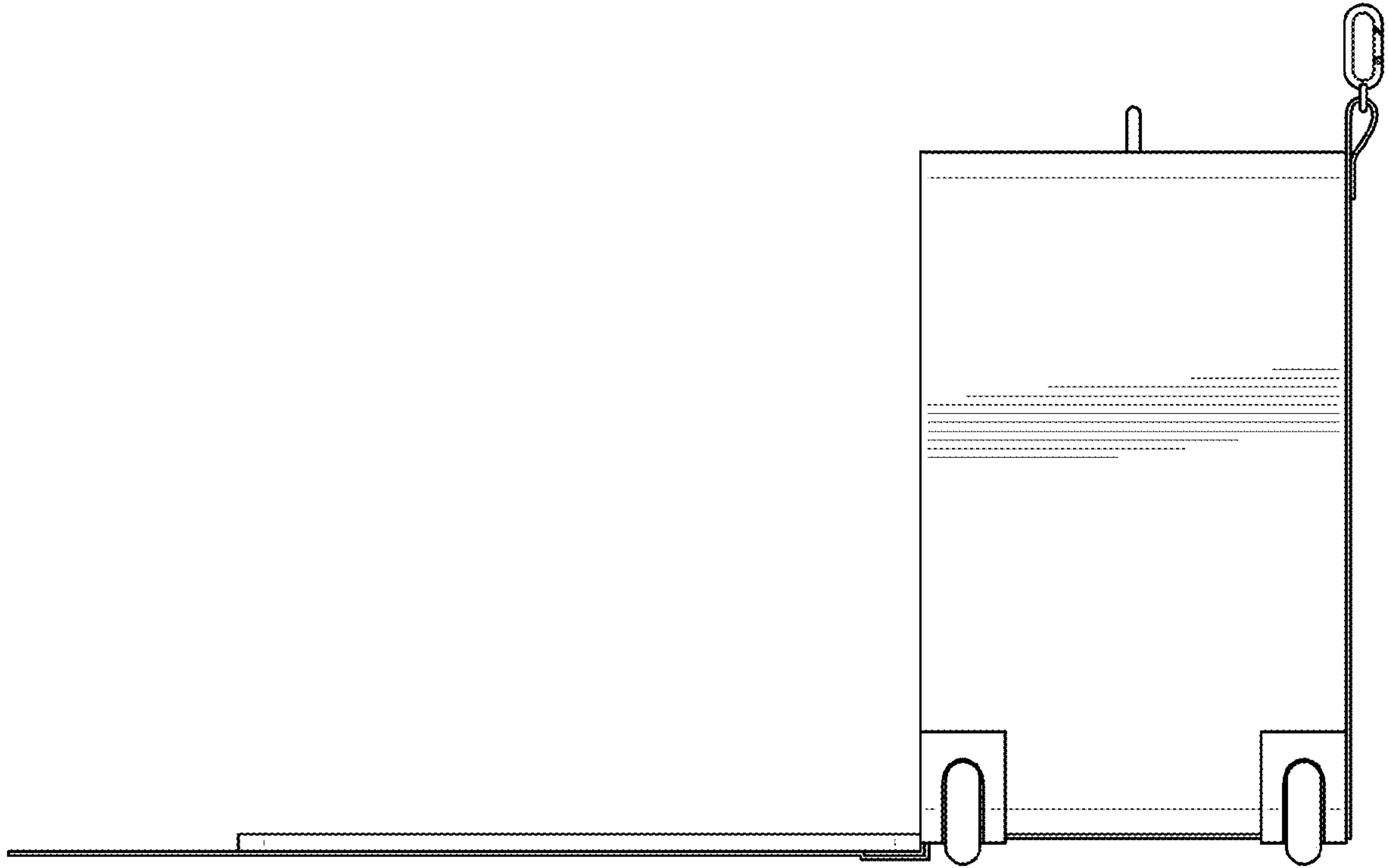


FIG. 3

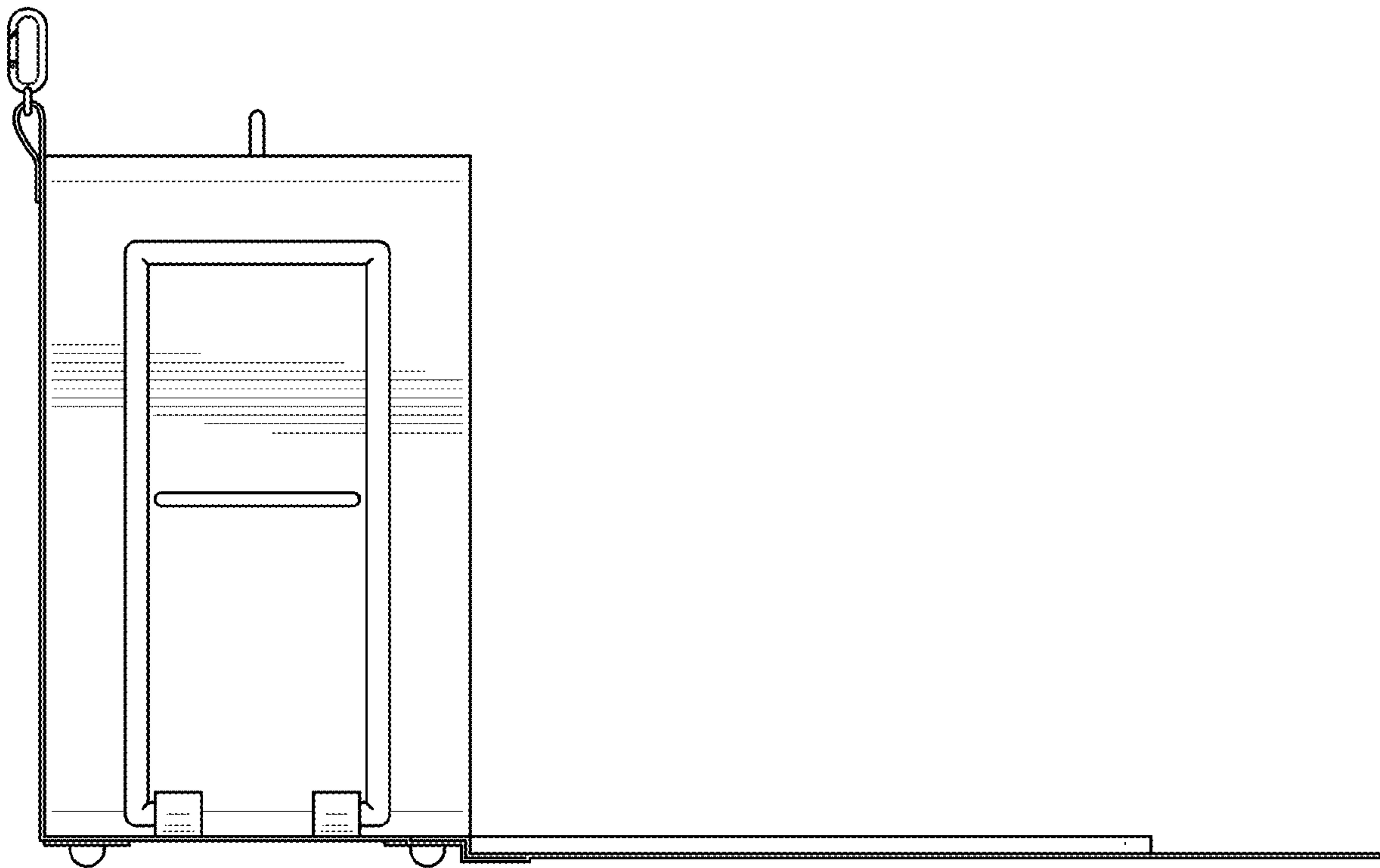


FIG. 4

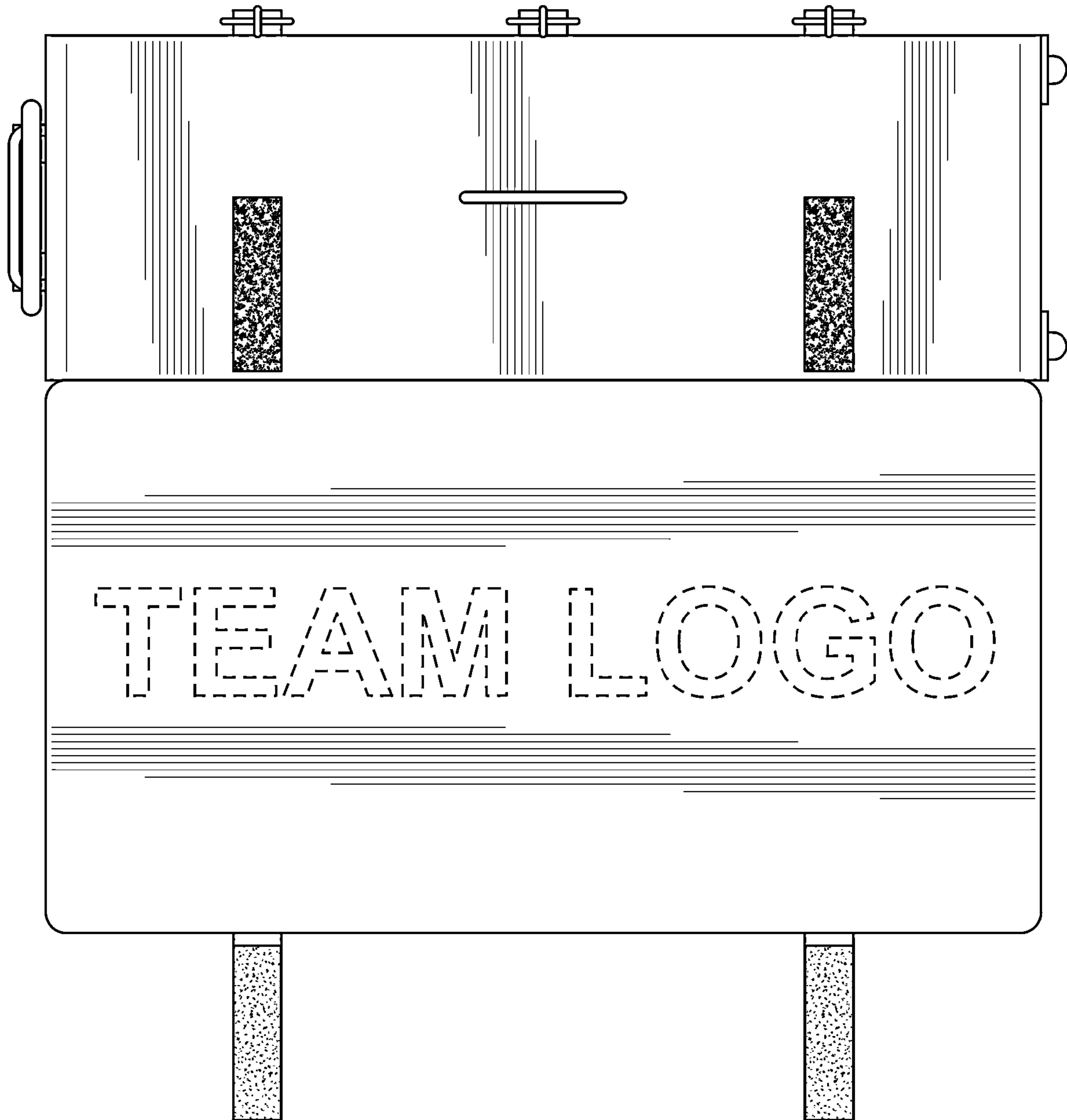


FIG. 5

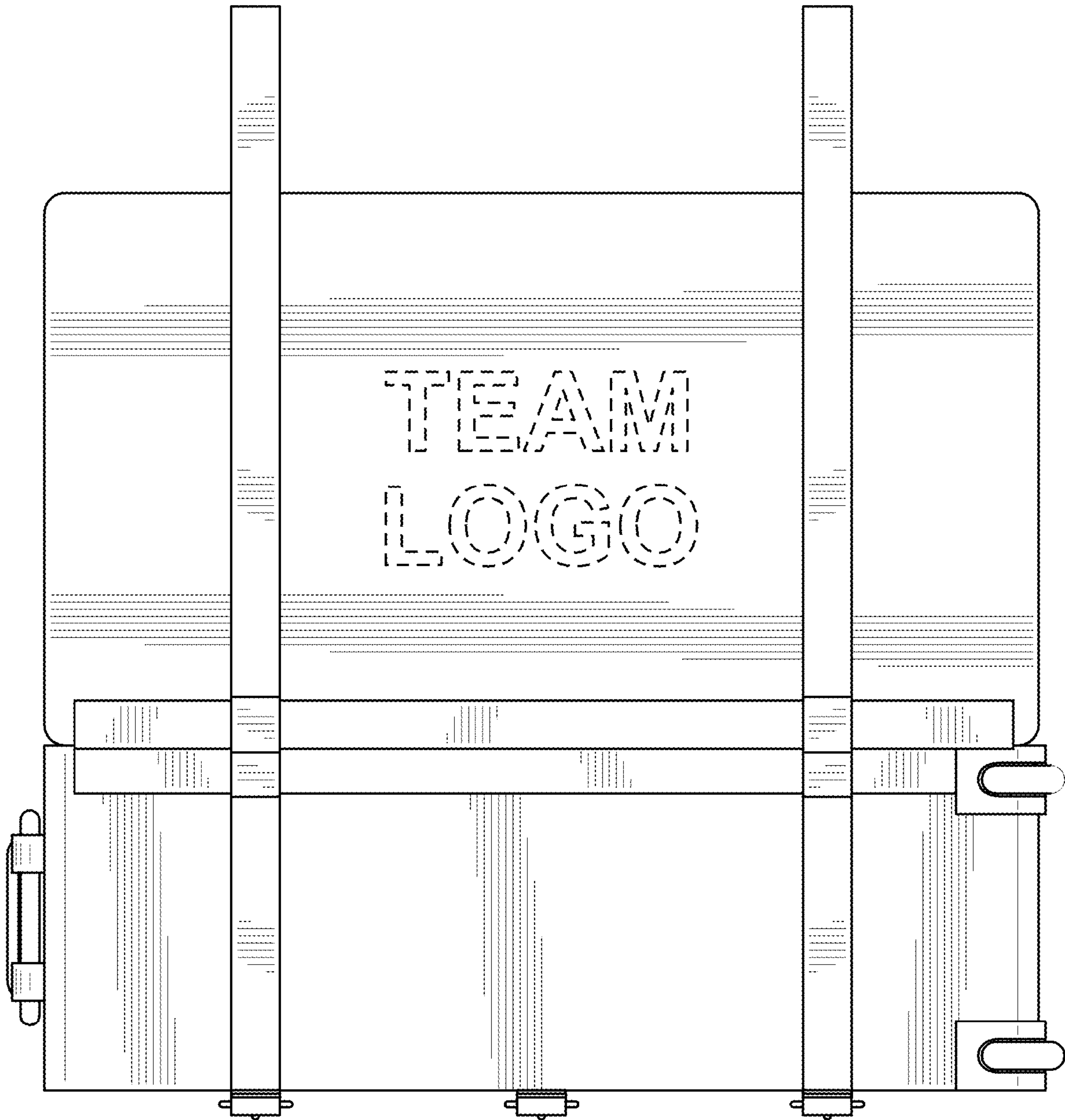


FIG. 6

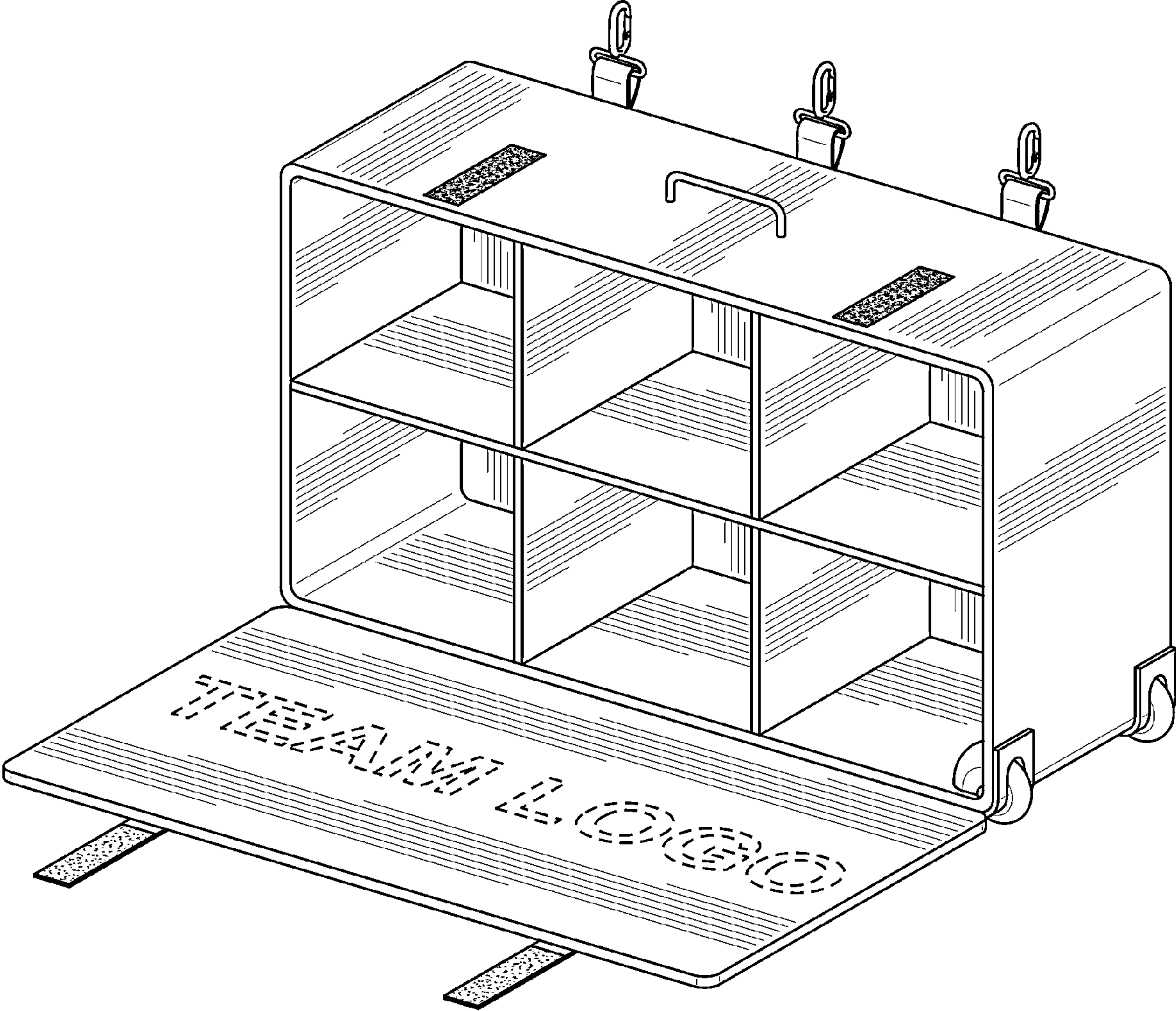


FIG. 7

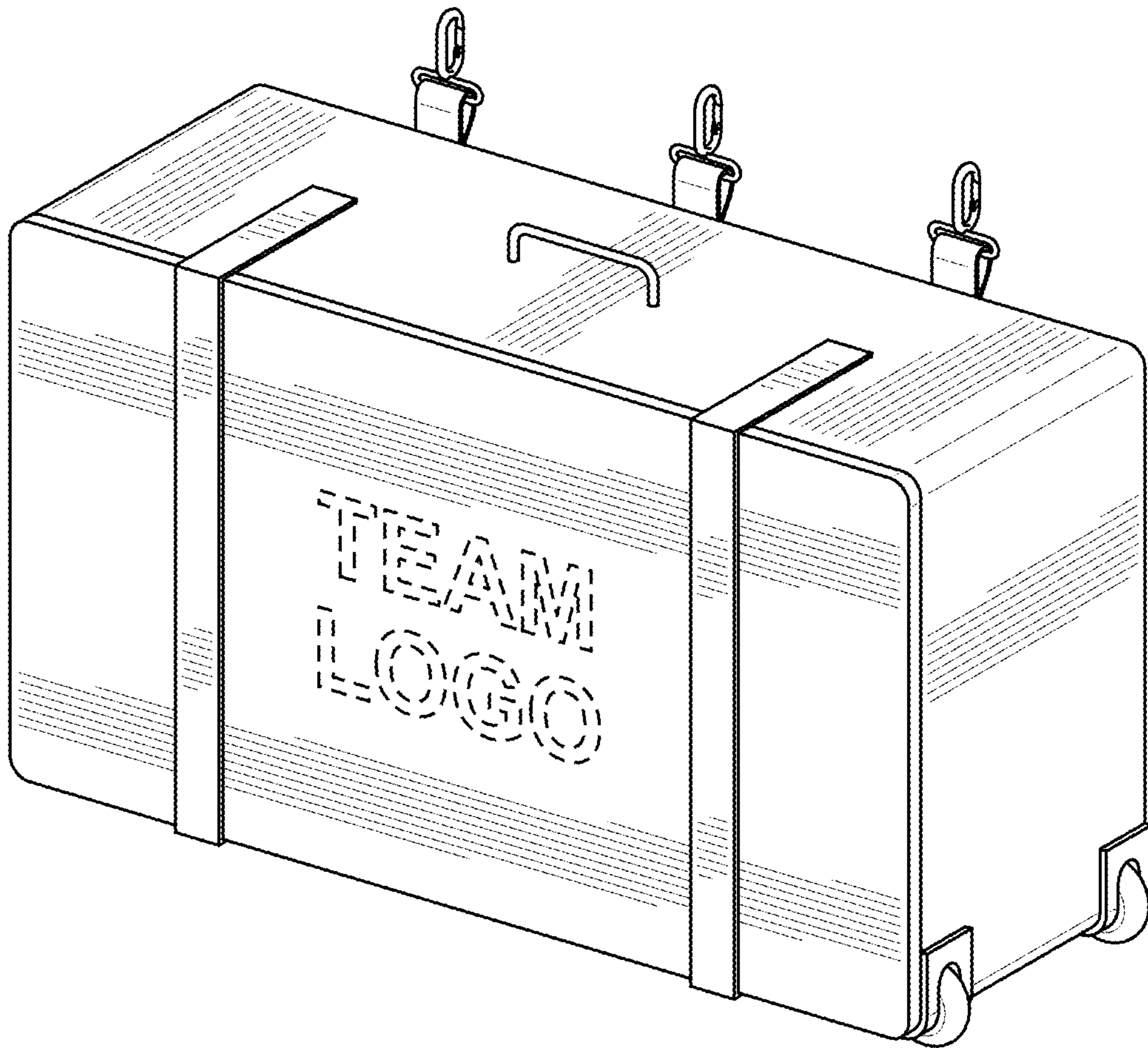


FIG. 8