



US00D961256S

(12) **United States Design Patent**
Bresnahan et al.

(10) **Patent No.:** **US D961,256 S**
(45) **Date of Patent:** **** Aug. 23, 2022**

(54) **PORTABLE CASE**

(71) Applicant: **Idemia Identity & Security USA LLC**, Billerica, MA (US)

(72) Inventors: **Brian Bresnahan**, Waltham, MA (US); **Patrice Erickson**, Eden Prairie, MN (US); **Anne Gray**, North Andover, MA (US); **Robert Grosso**, Merrimack, NH (US); **Angelo Sallese**, Stow, MA (US); **Harshad Thacore**, Bedford, MA (US); **Derek Riemer**, Westford, MA (US); **Amy Potts**, Westford, MA (US); **Nick Casco**, Bolton, MA (US)

(**) Term: **15 Years**

(21) Appl. No.: **29/703,386**

(22) Filed: **Aug. 27, 2019**

(51) **LOC (13) Cl.** **03-01**

(52) **U.S. Cl.**
USPC **D3/279**

(58) **Field of Classification Search**
USPC D3/274, 279, 285, 289, 900, 902
CPC .. A45C 5/00; A45C 5/14; A45C 5/146; A45C 2009/002

See application file for complete search history.

(56) **References Cited**

U.S. PATENT DOCUMENTS

D425,301 S * 5/2000 Sagol D3/276
7,646,425 B2 1/2010 Bohaker
D730,050 S * 5/2015 Hogan D3/289
D802,924 S * 11/2017 Mahanavanont D3/279
D873,009 S * 1/2020 Mahanavanont D3/282

D909,751 S * 2/2021 Sticca D3/279
2013/0292221 A1 * 11/2013 Ryan A45C 5/14
190/115
2021/0064727 A1 * 3/2021 Bresnahan G06V 40/12

OTHER PUBLICATIONS

CardLogix, "FbF® BioEnroll Standard Portable Biometric Enrollment Kit", Accessed Mar. 3, 2022. (<https://www.cardlogix.com/product/fbf-bioenroll-standard-portable-biometric-enrollment-kit/>) (Year: 2022).*

* cited by examiner

Primary Examiner — April Rivas

(74) *Attorney, Agent, or Firm* — Robert Facey; Adam Lewental

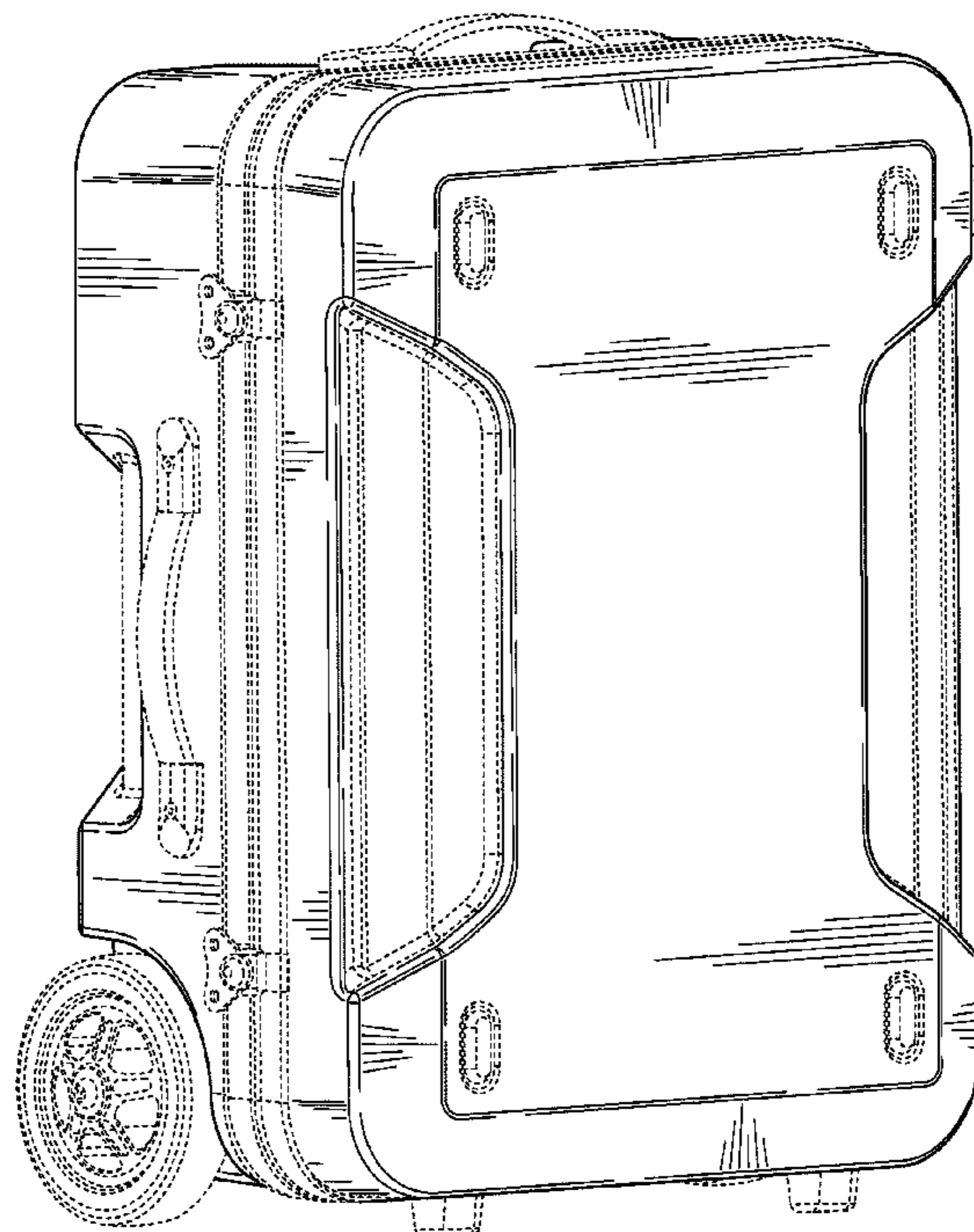
(57) **CLAIM**

The ornamental design for a portable case, substantially as shown and described.

DESCRIPTION

FIG. 1 is a front perspective view of a portable case. FIG. 2 is a rear perspective view of the portable case of FIG. 1. FIG. 3 is a front view of the portable case of FIG. 1. FIG. 4 is a rear view of the portable case of FIG. 1. FIG. 5 is a left side view of the portable case of FIG. 1. FIG. 6 is a right side view of the portable case of FIG. 1. FIG. 7 is a top view of the portable case of FIG. 1; and, FIG. 8 is a bottom view of the portable case of FIG. 1. The broken lines illustrate portions of the portable case and form no part of the claimed design.

1 Claim, 8 Drawing Sheets



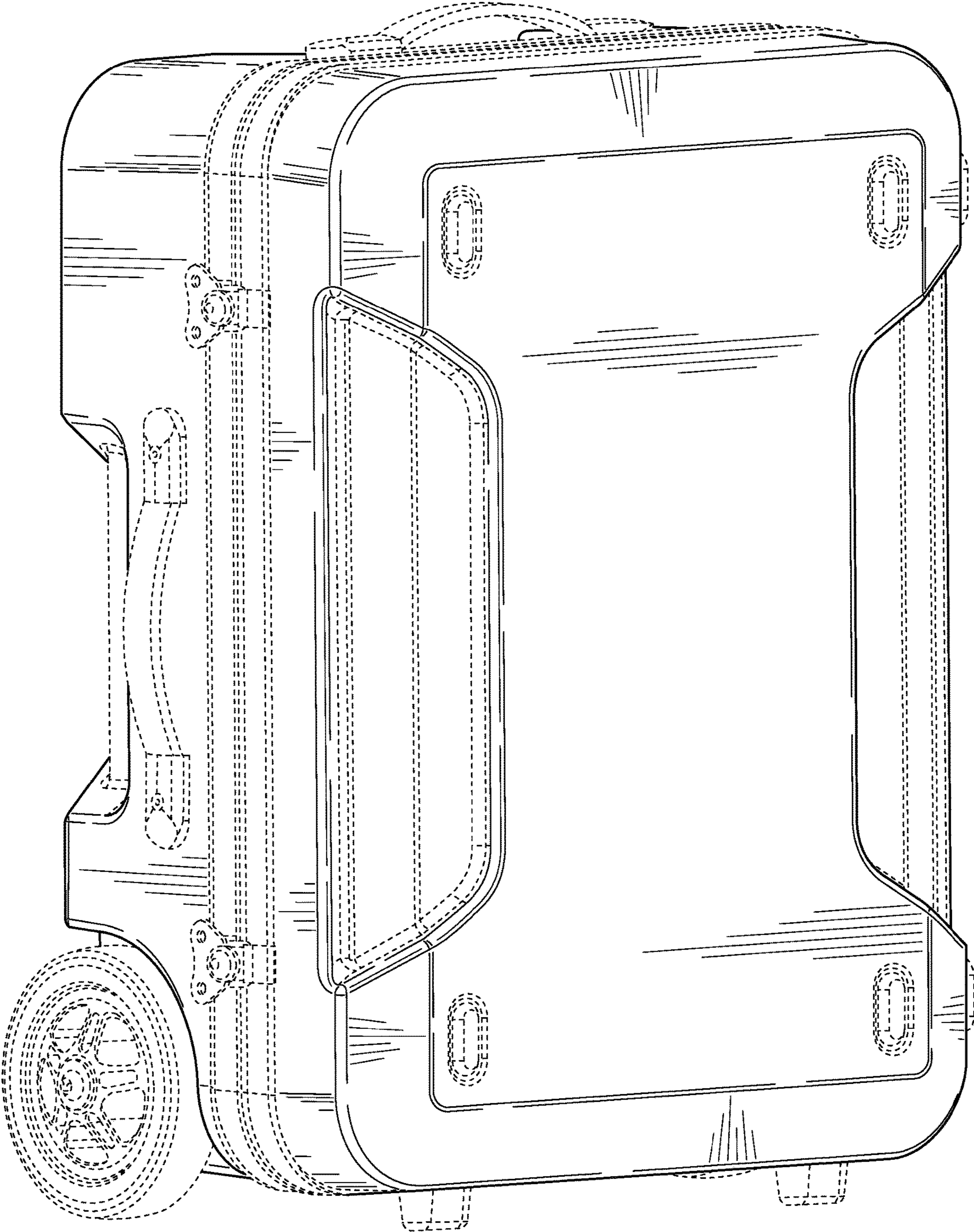


FIG. 1

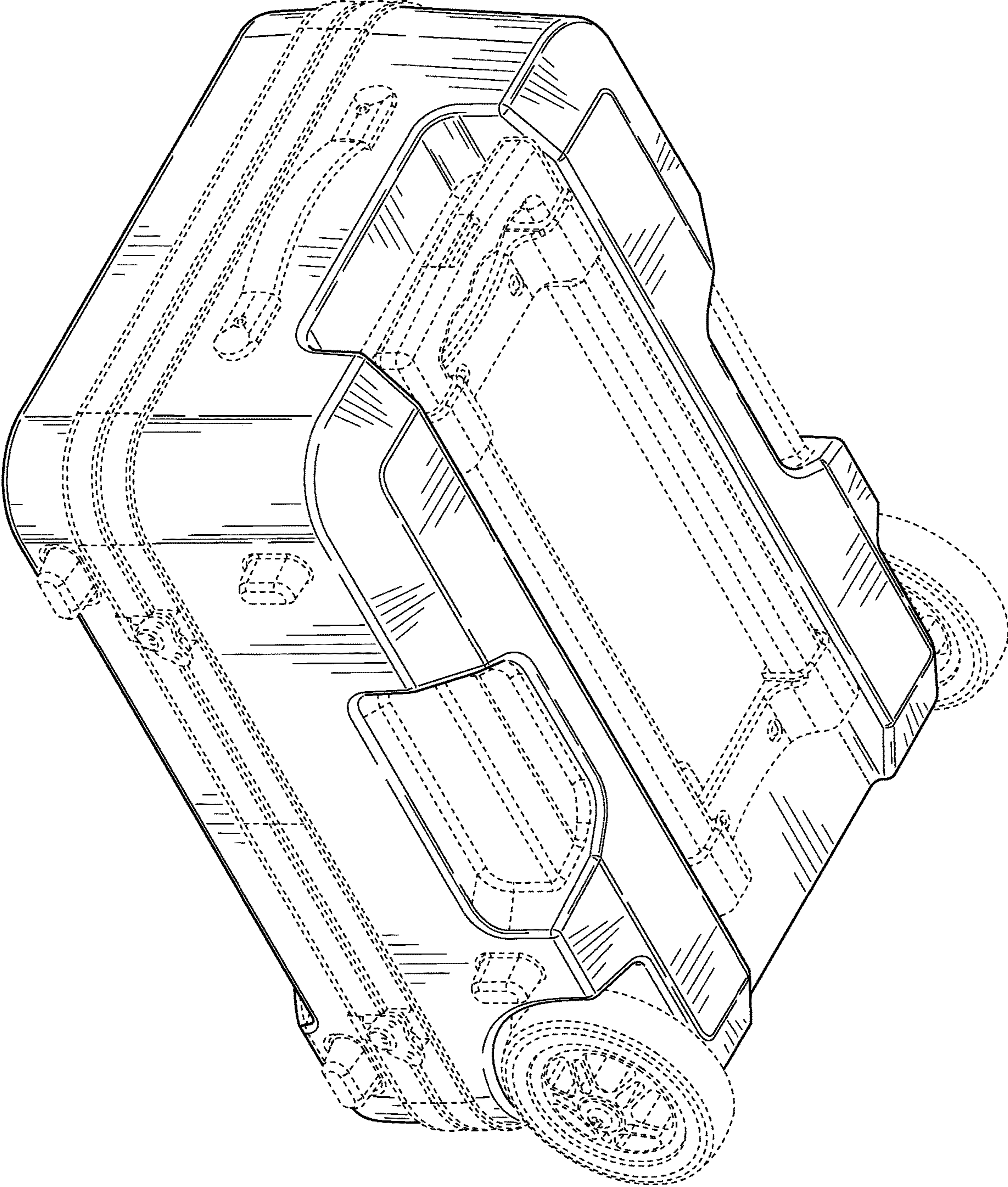


FIG. 2

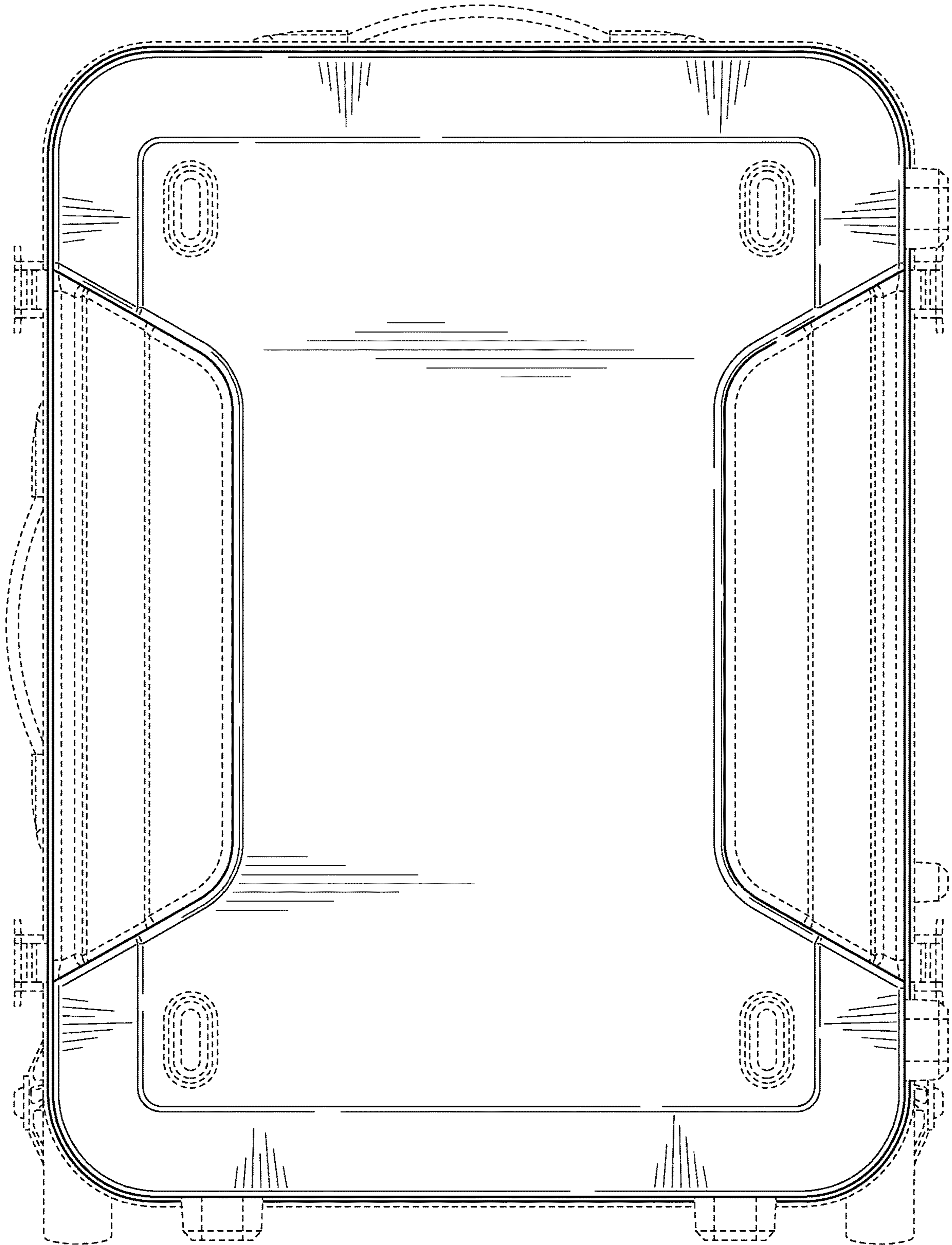


FIG. 3

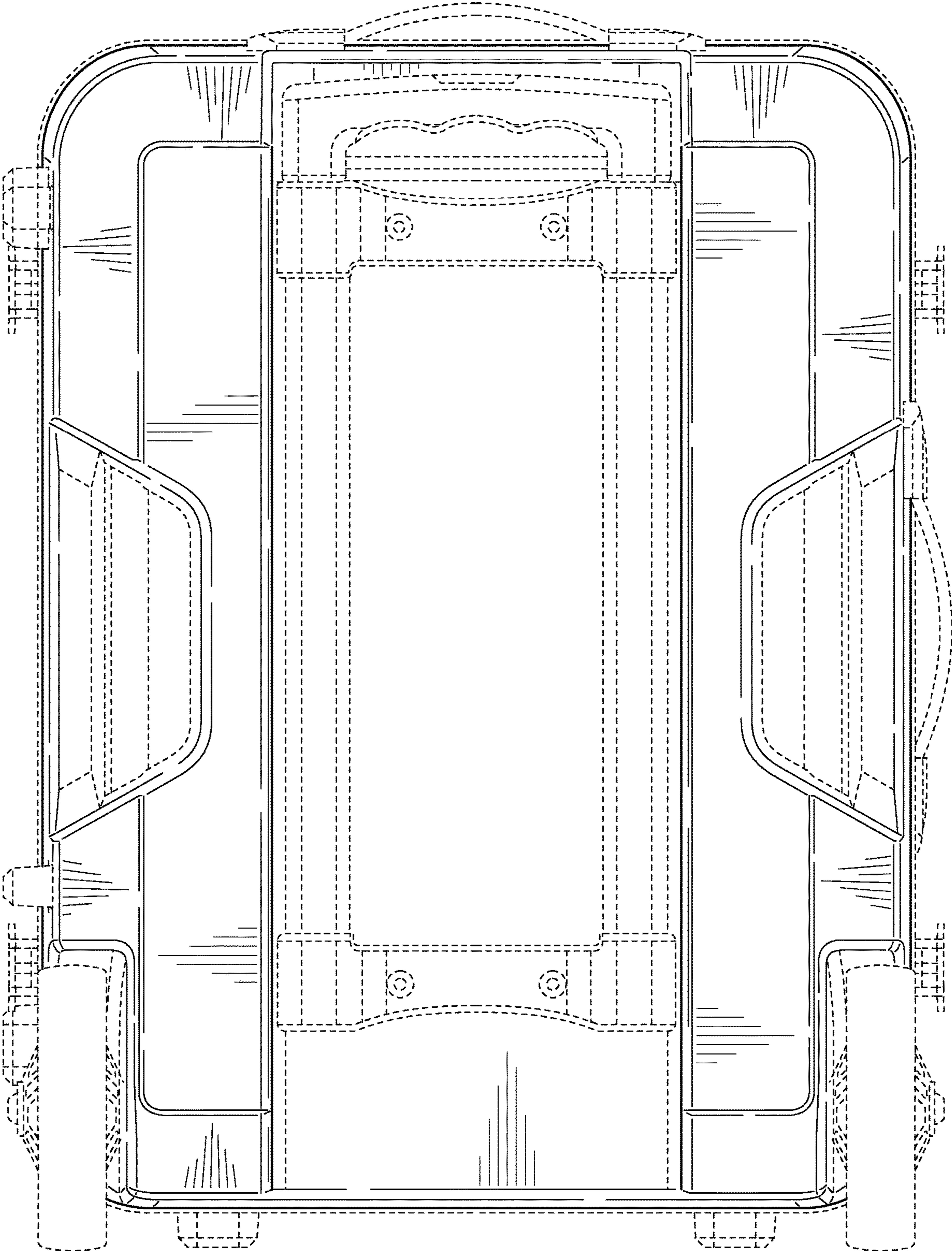


FIG. 4

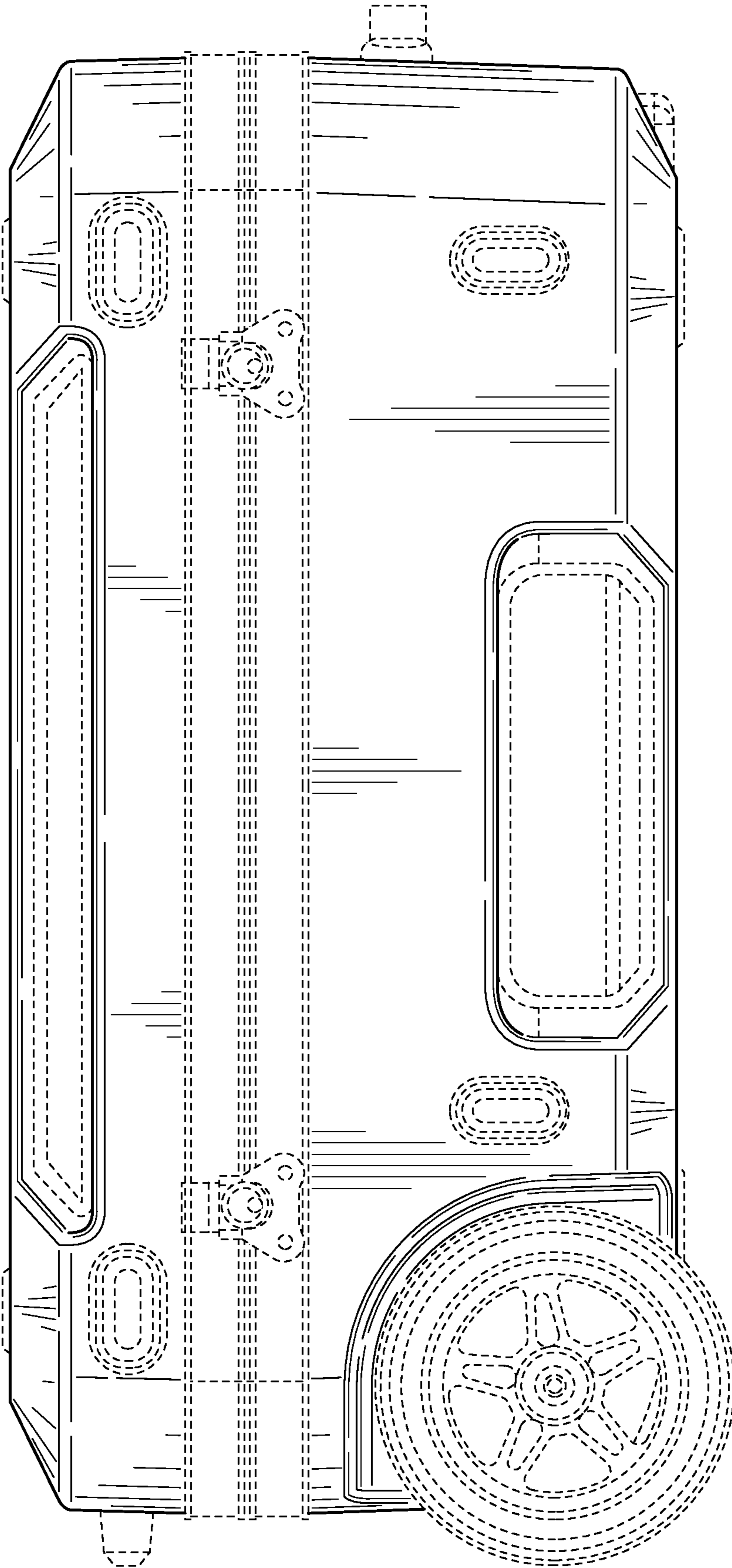


FIG. 5

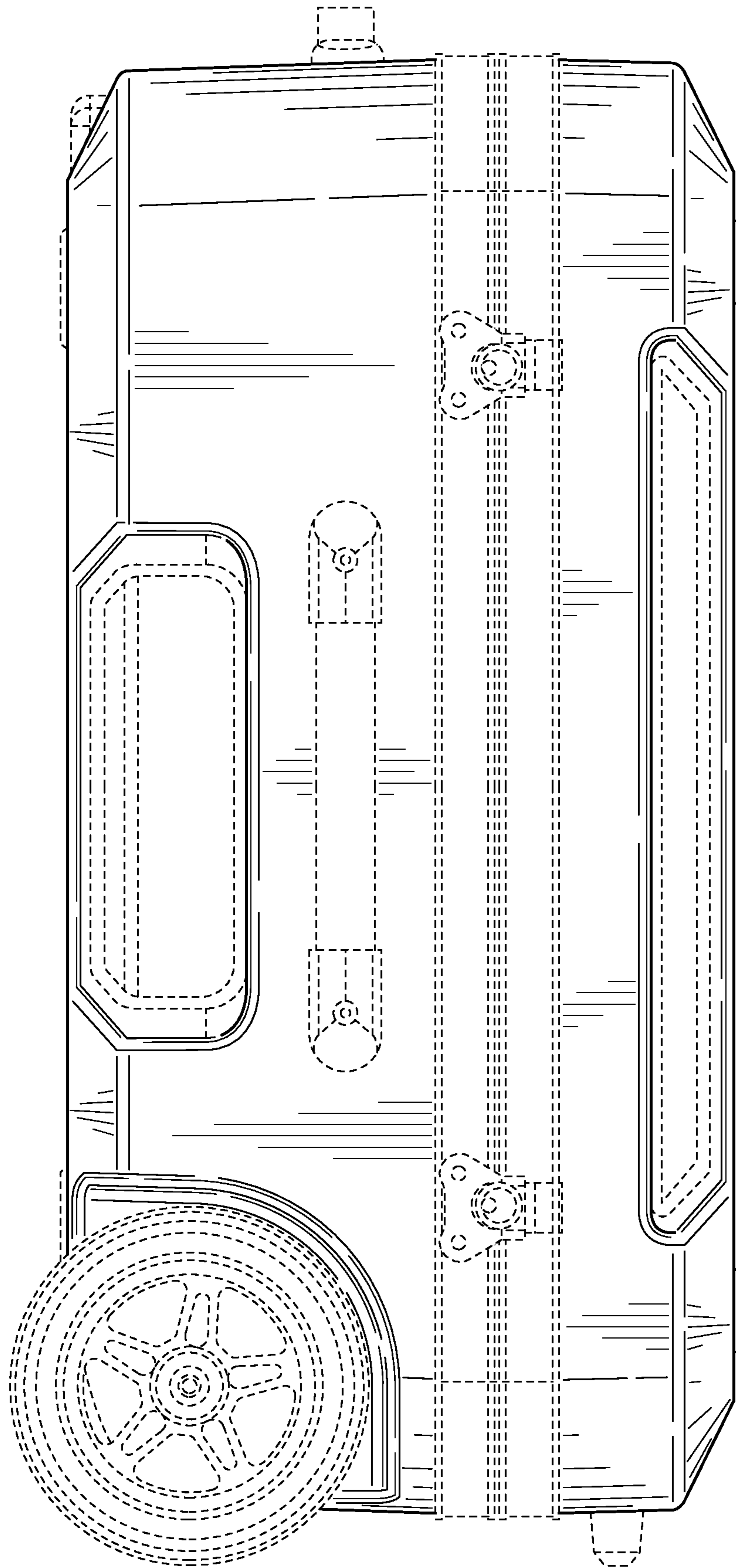


FIG. 6

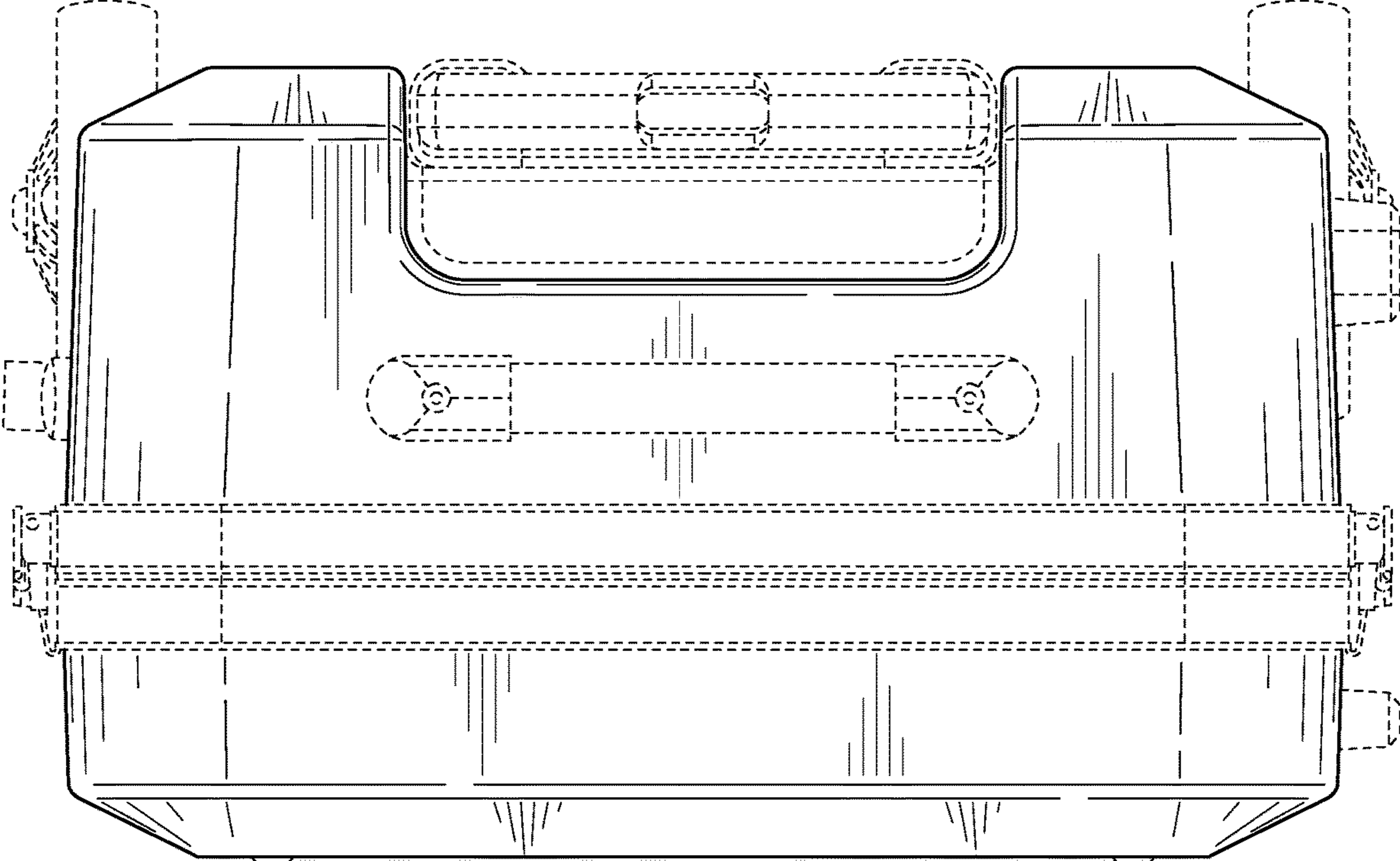


FIG. 7

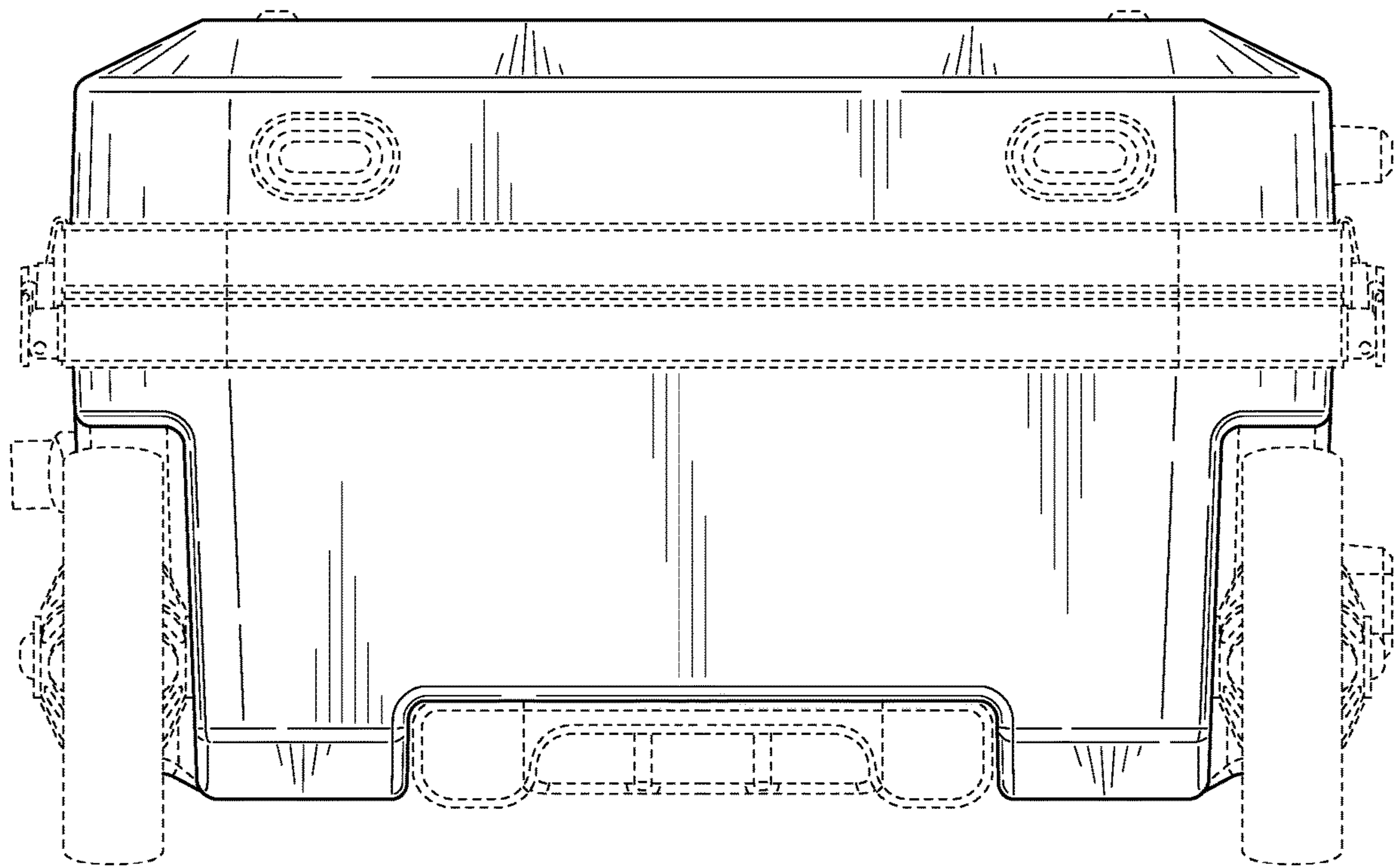


FIG. 8