



US00D961255S

(12) **United States Design Patent** (10) **Patent No.:** **US D961,255 S**  
**Yu** (45) **Date of Patent:** **\*\* Aug. 23, 2022**

(54) **GOLF STAND BAG**  
(71) Applicant: **Dongguan Grand Dragon Sports Co., Ltd., Guangdong (CN)**

D872,995 S \* 1/2020 Smith ..... D3/255  
D887,713 S \* 6/2020 Marshall ..... D3/255  
D938,721 S \* 12/2021 Burgess ..... D3/255

(Continued)

(72) Inventor: **Rui Yu, Guangdong (CN)**  
(73) Assignee: **Dongguan Grand Dragon Sports Co., Ltd., Guangdong (CN)**

**OTHER PUBLICATIONS**

Golf Stand Bag for Men Navy 14 Way Divider by Longchao, first available Sep. 26, 2020, amazon.com [online], [site visited Apr. 19, 2022], Available at URL: <https://www.amazon.com/dp/B08CS9BCXZ/> (Year: 2020).\*

(Continued)

(\*\*) Term: **15 Years**

(21) Appl. No.: **29/758,833**

*Primary Examiner* — Jeffrey D Asch  
*Assistant Examiner* — Caitlin A Laverty  
(74) *Attorney, Agent, or Firm* — ScienBiziP, P.C.

(22) Filed: **Nov. 18, 2020**

(51) **LOC (13) Cl.** ..... **03-01**

(52) **U.S. Cl.**  
USPC ..... **D3/255**

(57) **CLAIM**

The ornamental design for a golf stand bag, as shown and described.

(58) **Field of Classification Search**  
USPC ..... D3/254–255, 259, 319–321, 328–328.1, D3/904; D21/789, 796  
CPC ..... A63B 2055/402; A63B 2055/403; A63B 2055/002; A63B 55/00; A63B 55/008; A63B 55/30; A63B 55/40; A63B 55/57; A63B 55/60; A63B 55/10; A63B 55/404; A63B 55/406; A63B 55/408  
See application file for complete search history.

**DESCRIPTION**

FIG. 1 is a top perspective view of a golf stand bag, showing my design.  
FIG. 2 is a bottom perspective view thereof.  
FIG. 3 is a front elevation view thereof.  
FIG. 4 is a rear elevation view thereof.  
FIG. 5 is a left side elevation thereof.  
FIG. 6 is a right side elevation thereof.  
FIG. 7 is a top plan view thereof.  
FIG. 8 is a bottom plan view thereof.  
FIG. 9 is a perspective view of the golf stand bag of FIG. 1 wherein the stand of the golf stand bag in an open position; and,  
FIG. 10 is an enlarged view of an area labeled 10 in FIG. 1. The broken lines that are immediately adjacent to the surfaces included in the claim indicate boundaries of the claim, while all other broken lines show portions of the bag, including zipper teeth. The broken lines form no part of the claimed design.

(56) **References Cited**

**U.S. PATENT DOCUMENTS**

D382,397 S \* 8/1997 Wu ..... D3/255  
D411,666 S \* 6/1999 Reimers ..... D3/327  
D412,060 S \* 7/1999 Reimers ..... D3/255  
D419,295 S \* 1/2000 Reimers ..... D3/255  
D453,875 S \* 2/2002 Schmitt, Jr. .... D3/255  
D488,619 S \* 4/2004 Klock ..... D3/255  
D814,795 S \* 4/2018 Burgess ..... D3/321  
D848,734 S \* 5/2019 Maki ..... D3/255  
D858,104 S \* 9/2019 Maki ..... D3/255  
D872,466 S \* 1/2020 Smith ..... D3/255  
D872,467 S \* 1/2020 Smith ..... D3/255

**1 Claim, 10 Drawing Sheets**



(56)

**References Cited**

U.S. PATENT DOCUMENTS

2020/0215400 A1\* 7/2020 Martell ..... A45C 7/0077  
2020/0353329 A1\* 11/2020 Martell ..... A63B 55/40  
2022/0023727 A1\* 1/2022 Pacha ..... A63B 55/57

OTHER PUBLICATIONS

Ask Echo Lightweight Golf Stand Bag with 14 Way Full Length Dividers 9 Pockets, first available Apr. 1, 2021, amazon.com [online], [site visited Apr. 19, 2022], Available at URL: <https://www.amazon.com/ASK-ECHO-Lightweight-Dividers-Including/dp/B0923615NS/> (Year: 2021).\*

\* cited by examiner

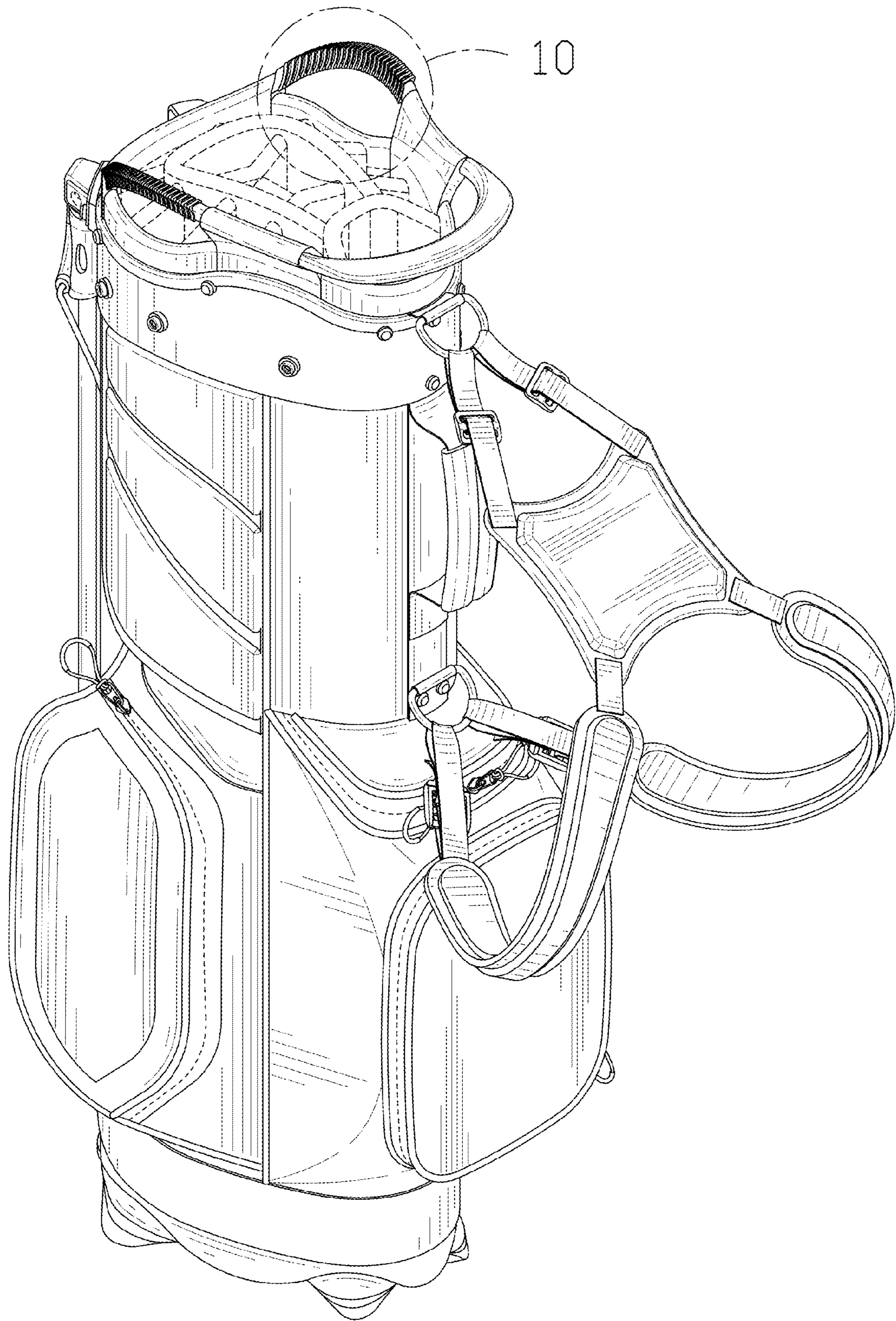


FIG. 1

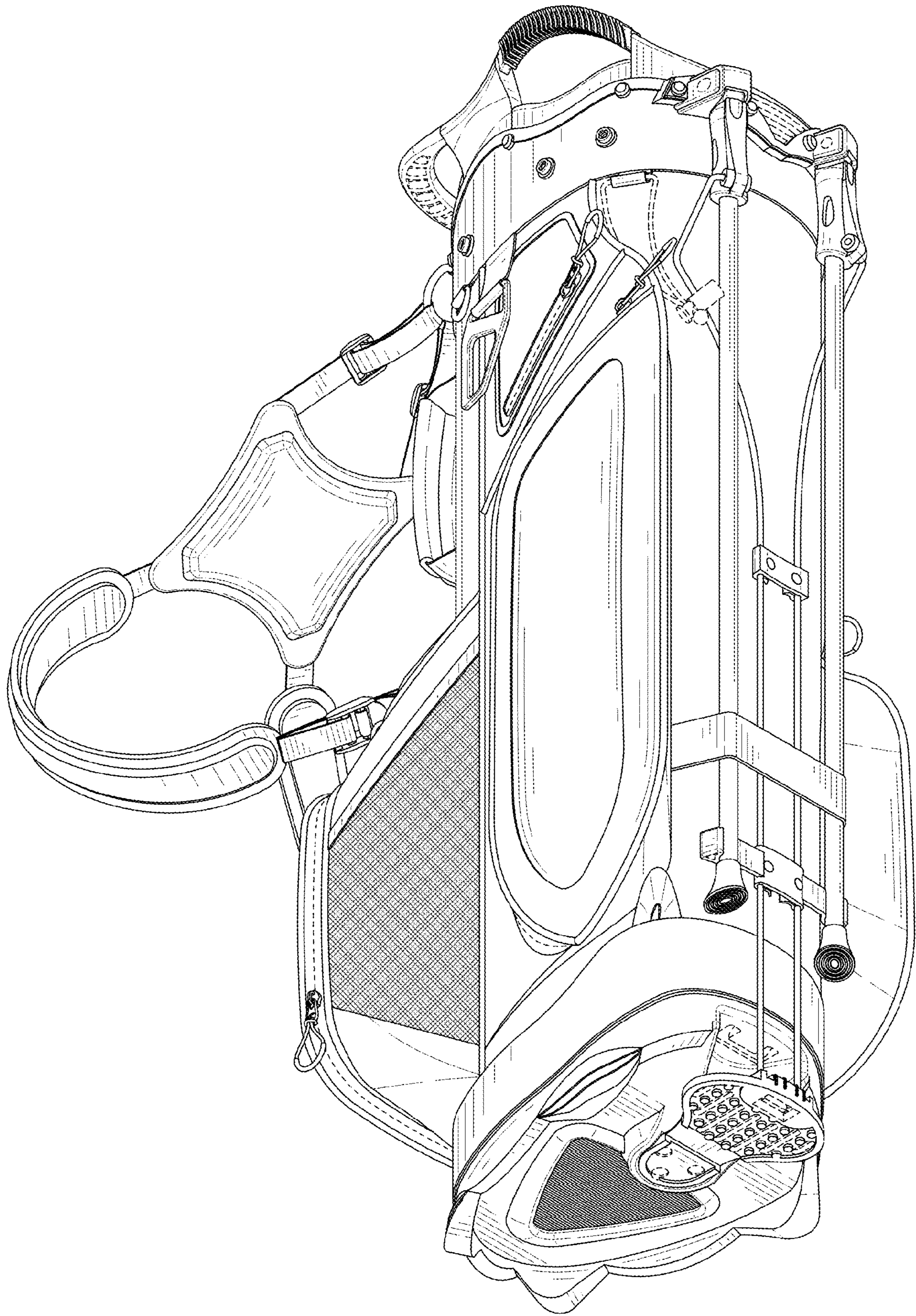


FIG. 2

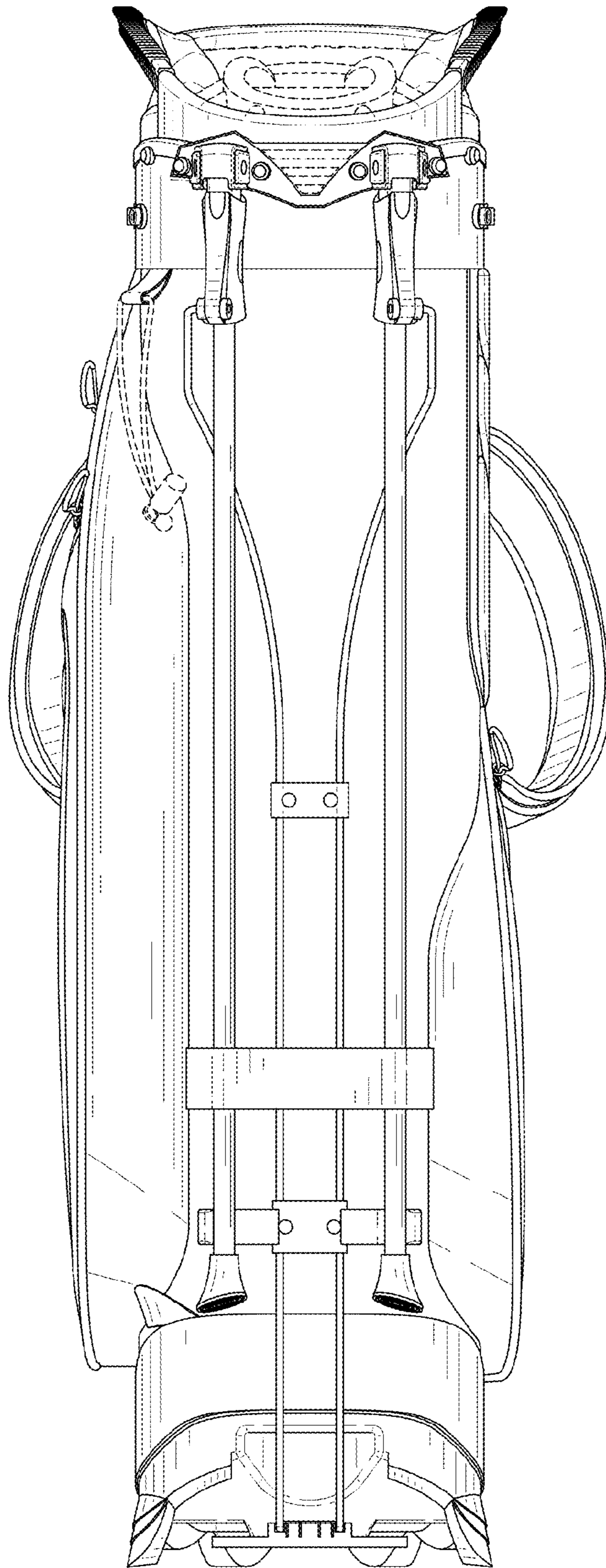


FIG. 3

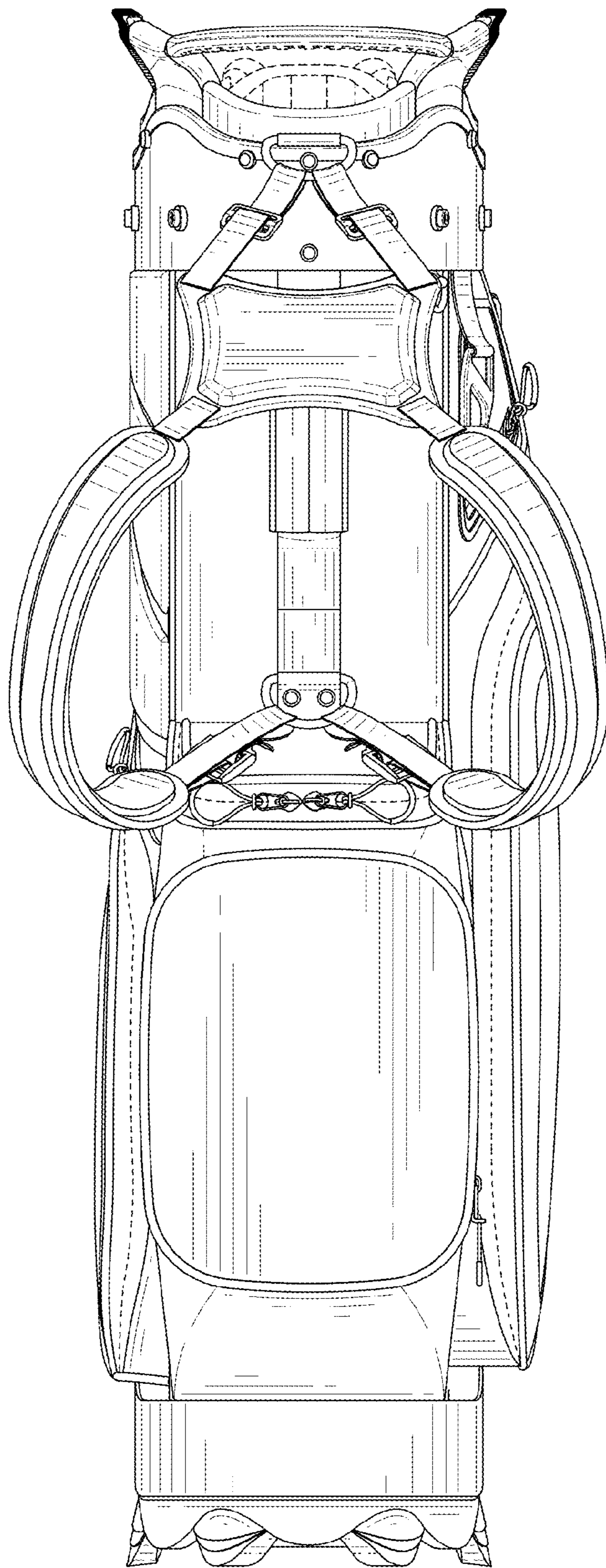


FIG. 4

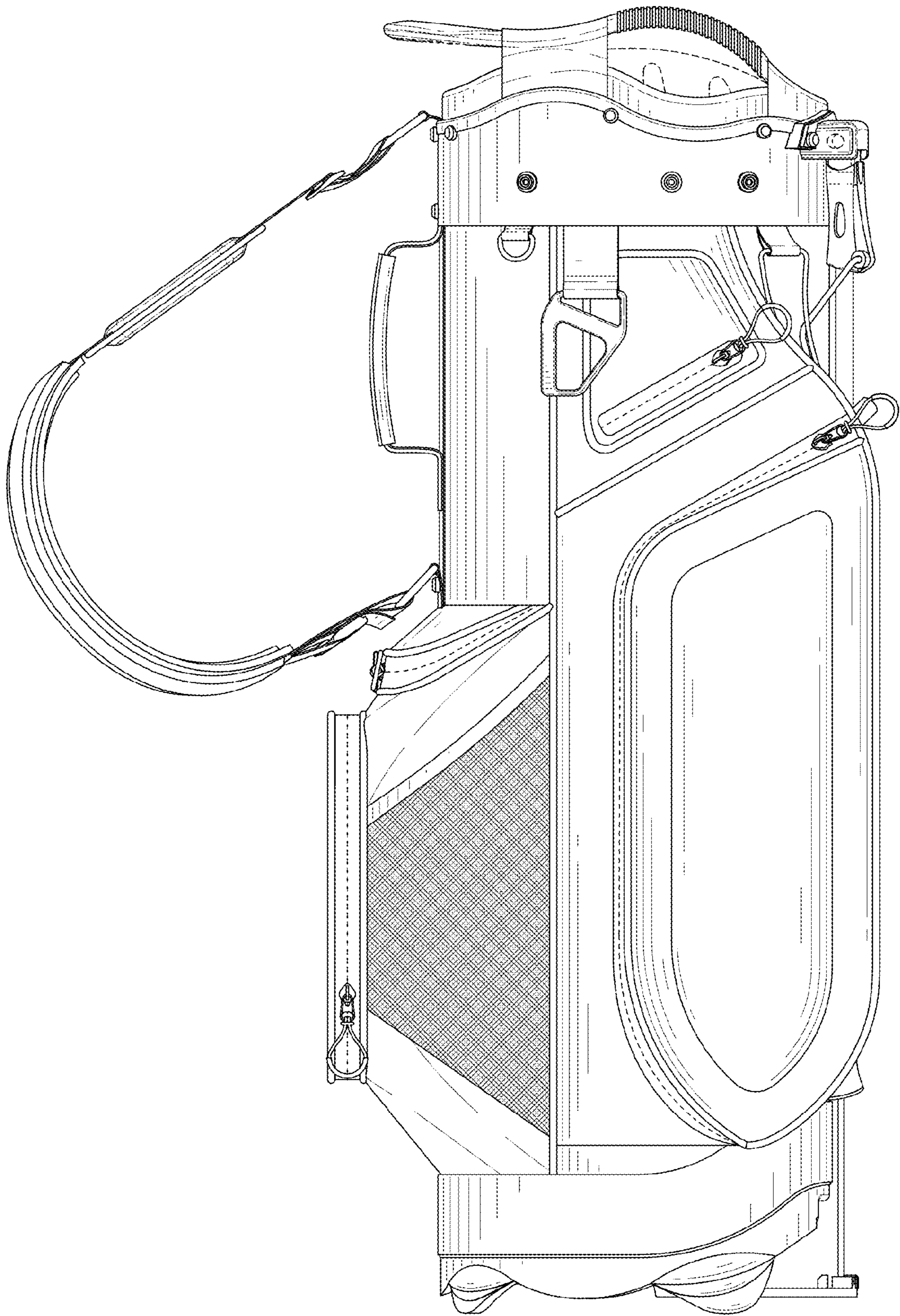


FIG. 5

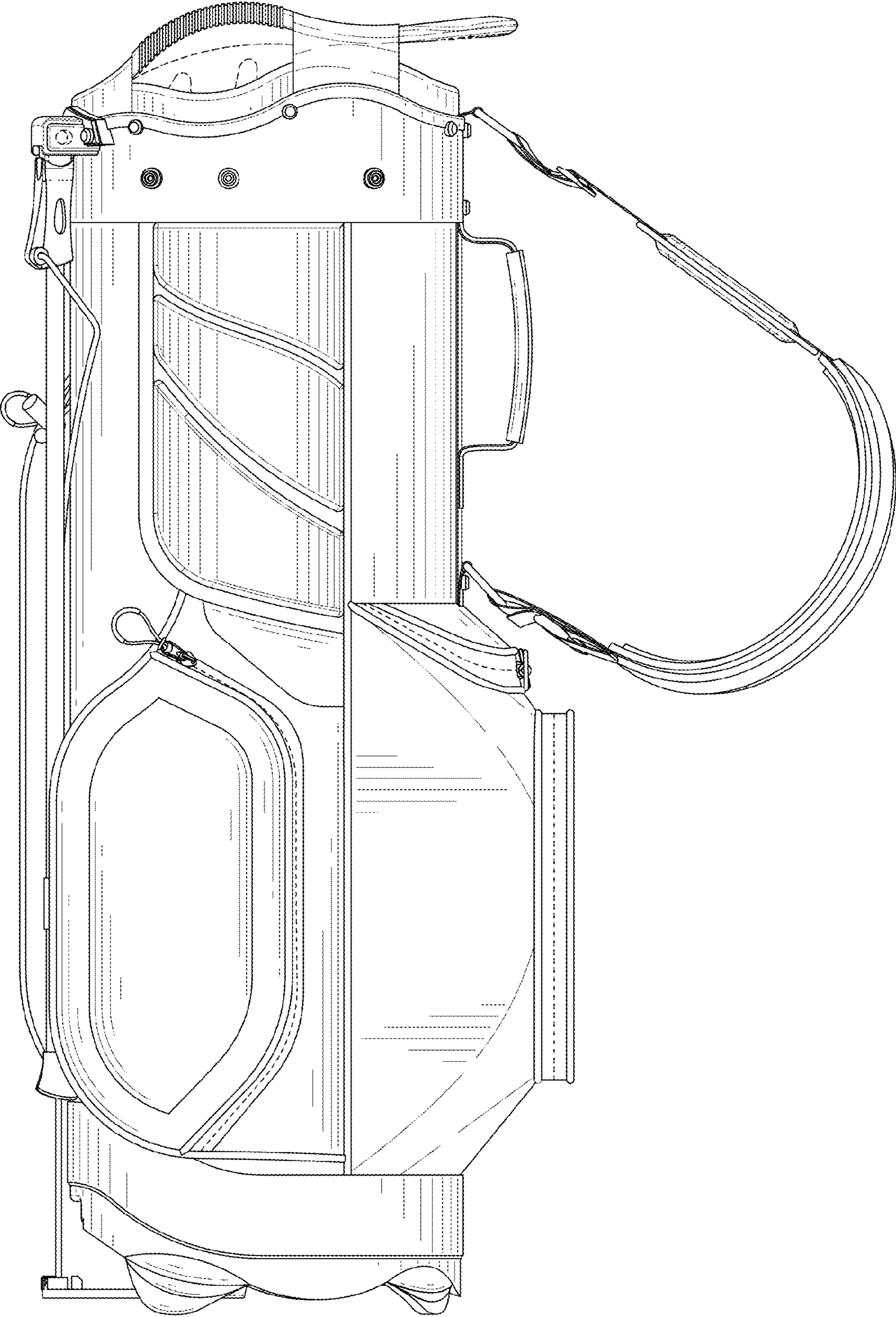


FIG. 6



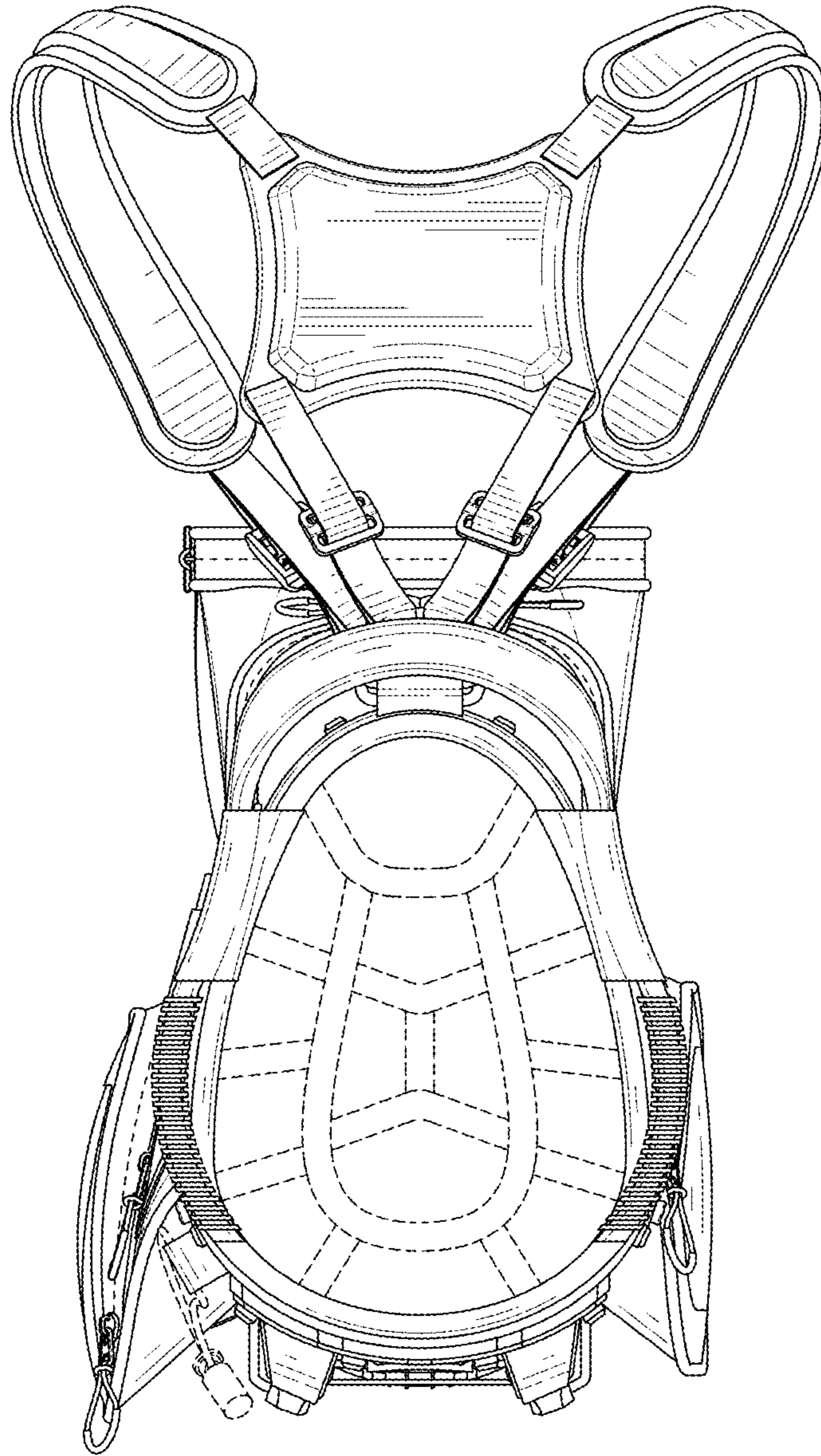


FIG. 7

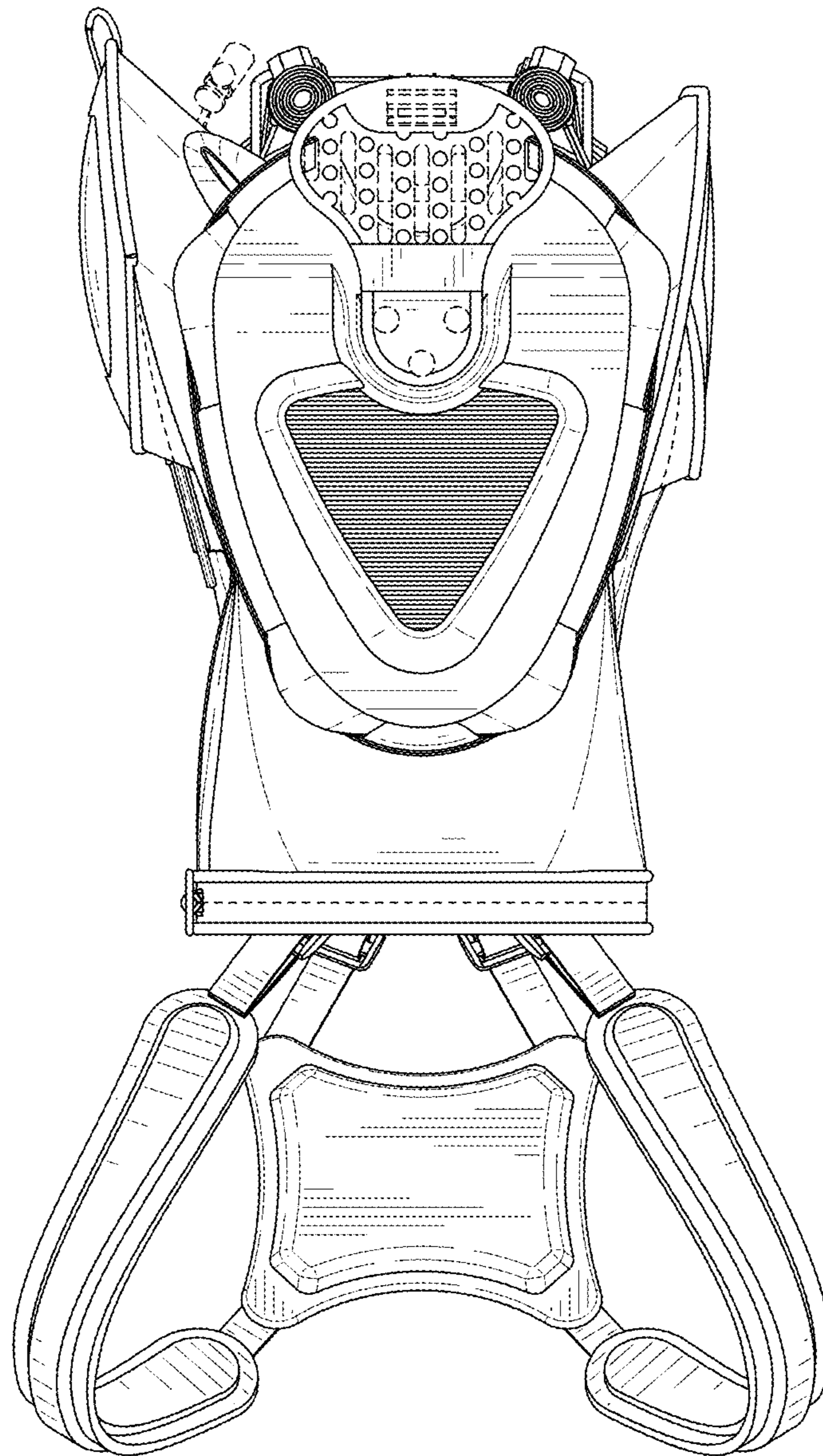


FIG. 8

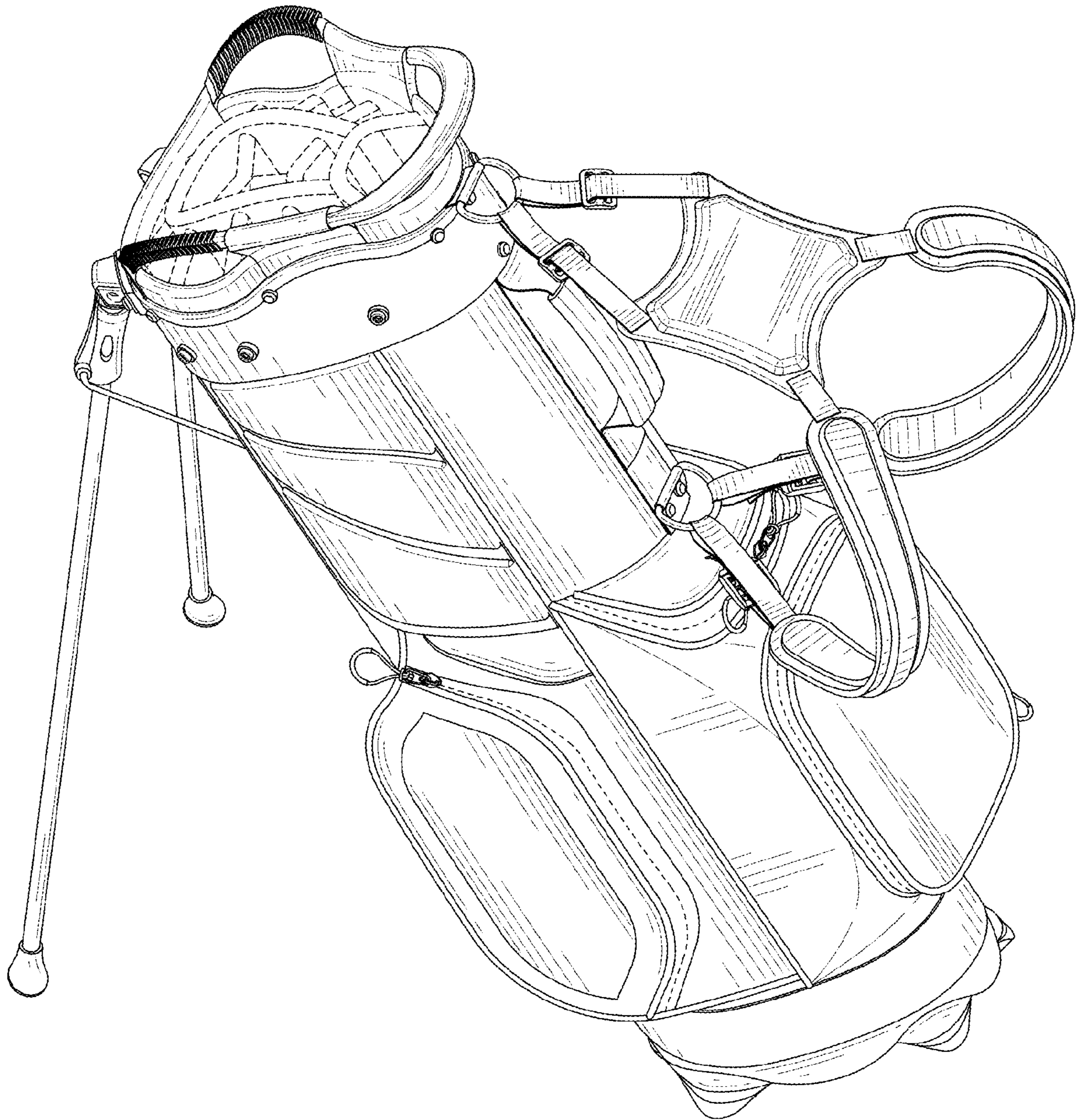


FIG. 9

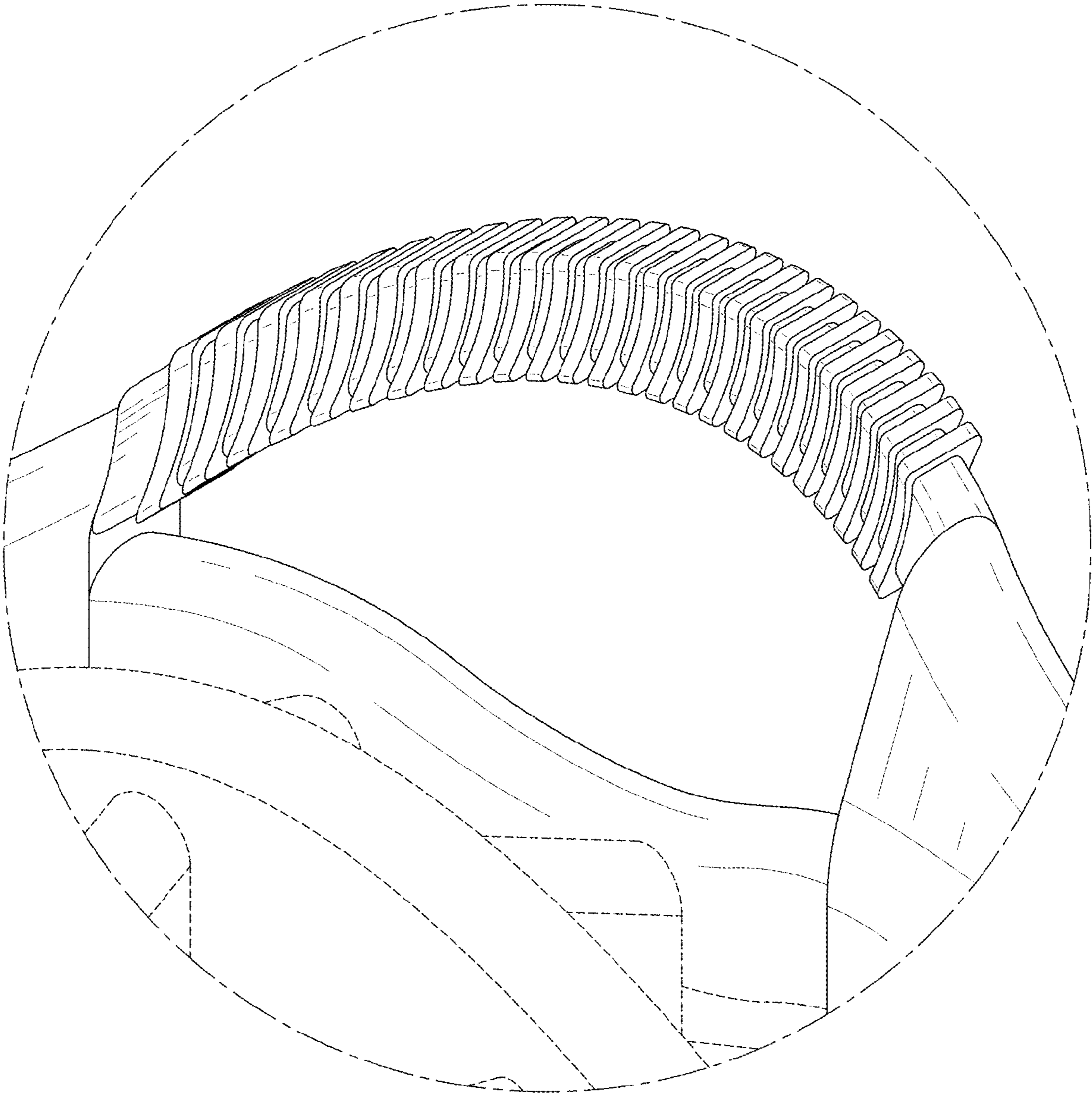


FIG. 10