



US00D961253S

(12) **United States Design Patent**
Alicusic

(10) **Patent No.:** **US D961,253 S**

(45) **Date of Patent:** **** Aug. 23, 2022**

(54) **SPORTS BAG**

(71) Applicant: **Adnan Alicusic**, Frankfurt (DE)

(72) Inventor: **Adnan Alicusic**, Frankfurt (DE)

(**) Term: **15 Years**

(21) Appl. No.: **29/721,878**

(22) Filed: **Jan. 23, 2020**

(30) **Foreign Application Priority Data**

Jul. 24, 2019 (EM) 006643458

(51) **LOC (13) Cl.** **03-01**

(52) **U.S. Cl.**

USPC **D3/254**; D3/289

(58) **Field of Classification Search**

USPC D3/216, 217, 254, 260, 262, 273, 276,
D3/283-290, 293-294, 299, 301, 315,
D3/904; D7/605, 607

CPC A45C 3/00; A45C 2003/007; A45C
2003/008; A45C 5/00; A45C 5/03; A45C
5/06; A45C 2005/032; A45C 2005/035;
A45C 2005/037; A45C 7/00; A45C
7/0059; A45C 7/0063; A45F 3/02; A45F
2200/05; A45F 2200/0591

See application file for complete search history.

(56) **References Cited**

U.S. PATENT DOCUMENTS

3,019,952 A * 2/1962 Brewster A45F 3/04
294/142
D235,384 S * 6/1975 Theilkas D3/286
4,273,274 A * 6/1981 Freistadt A45F 3/04
150/108
D281,121 S * 10/1985 Cunliffe D3/208
D349,404 S * 8/1994 Poisson D3/276
D356,888 S * 4/1995 Myers D3/254
D402,809 S * 12/1998 Bauman D3/276

6,286,461 B1 * 9/2001 Martz A01K 1/0254
119/497
8,413,776 B1 * 4/2013 Huff A45C 15/00
190/109
D689,283 S * 9/2013 Berkowitz A45C 13/103
D3/294
D740,550 S * 10/2015 Shabou D3/229
(Continued)

OTHER PUBLICATIONS

Introducing Notabag Duffel, article dated Oct. 30, 2019, Notabag.com [online], [site visited Nov. 30, 2020], Available at internet URL: <https://www.notabag.com/blogs/news/introducing-notabag-duffel> (Year: 2019).*

(Continued)

Primary Examiner — Jeffrey D Asch

Assistant Examiner — Caitlin A Lavery

(74) *Attorney, Agent, or Firm* — McCoy Russell LLP

(57)

CLAIM

The ornamental design for a sports bag, as shown and described.

DESCRIPTION

FIG. 1 is a front perspective view of a sports bag according to the claimed design.

FIG. 2 is a rear perspective view of the sports bag.

FIG. 3 is another front perspective view of the sports bag.

FIG. 4 is another front perspective view of the sports bag.

FIG. 5 is a front view of the sports bag.

FIG. 6 is a rear view of the sports bag.

FIG. 7 is a top view of the sports bag.

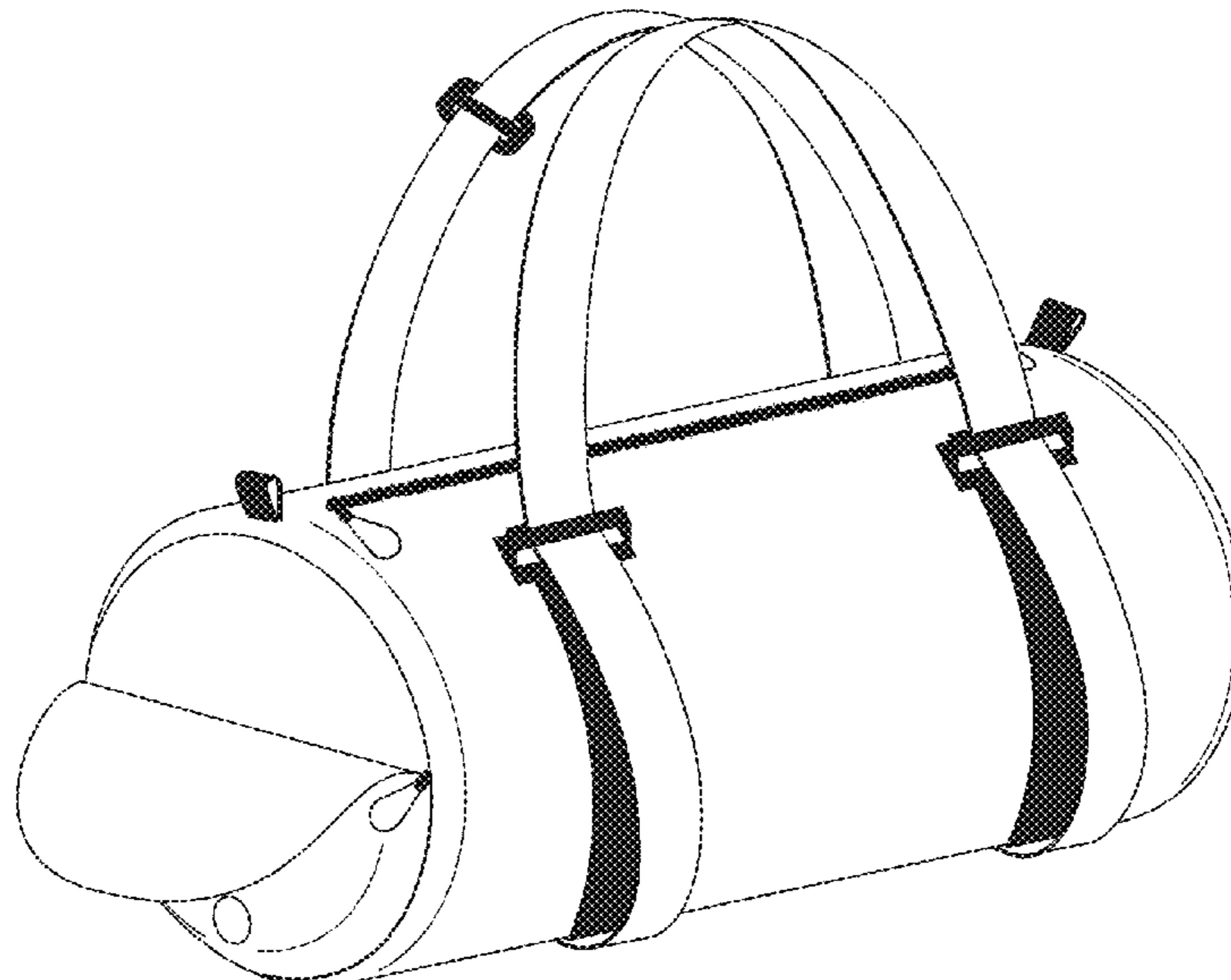
FIG. 8 is a bottom view of the sports bag.

FIG. 9 is a left side view of the sports bag; and,

FIG. 10 is a right side view of the sports bag.

The strap of the sports bag is adjustable to different positions and is shown in different positions throughout the drawings.

1 Claim, 10 Drawing Sheets



(56)

References Cited

U.S. PATENT DOCUMENTS

D740,551 S * 10/2015 Shabou D3/229
D740,552 S * 10/2015 Shabou D3/229
D745,778 S * 12/2015 Shabou D3/229
D873,557 S * 1/2020 Pompliano D3/217
D895,284 S * 9/2020 Sun A45F 3/04
D3/287
D901,176 S * 11/2020 Jusic A01K 1/0254
D3/289
2012/0255658 A1 * 10/2012 Andreasson A45C 13/103
150/108
2021/0169188 A1 * 6/2021 Hawkes E04H 15/32

OTHER PUBLICATIONS

Facebook user "Notabag" photo, posted on Nov. 6, 2019, facebook.com [online], [site visited Nov. 30, 2020], Available at internet URL: <https://m.facebook.com/notabag/photos/a.521328474564817/2806841292680179/?type=3&theater> (Year: 2019).*

* cited by examiner

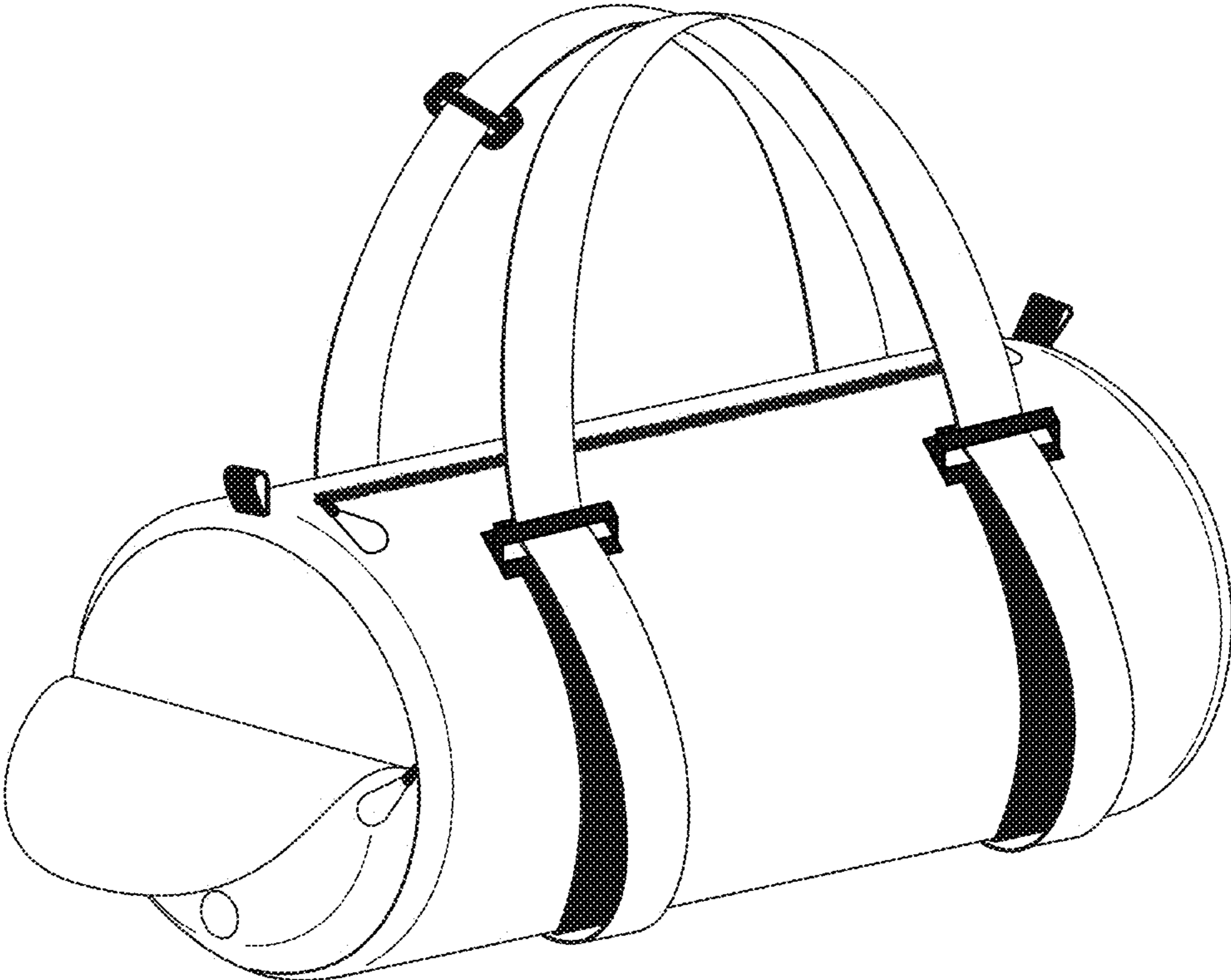


FIG. 1

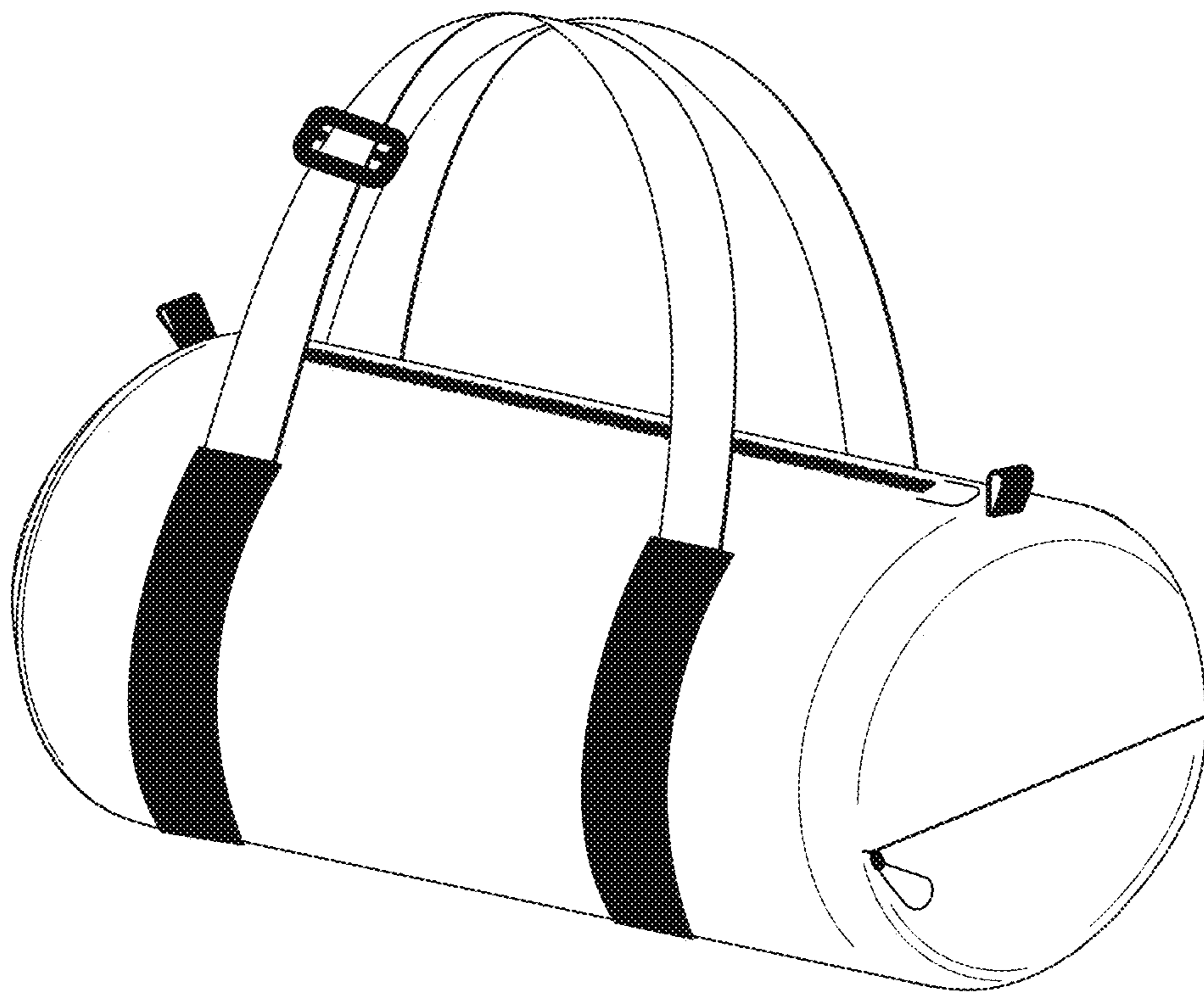


FIG. 2

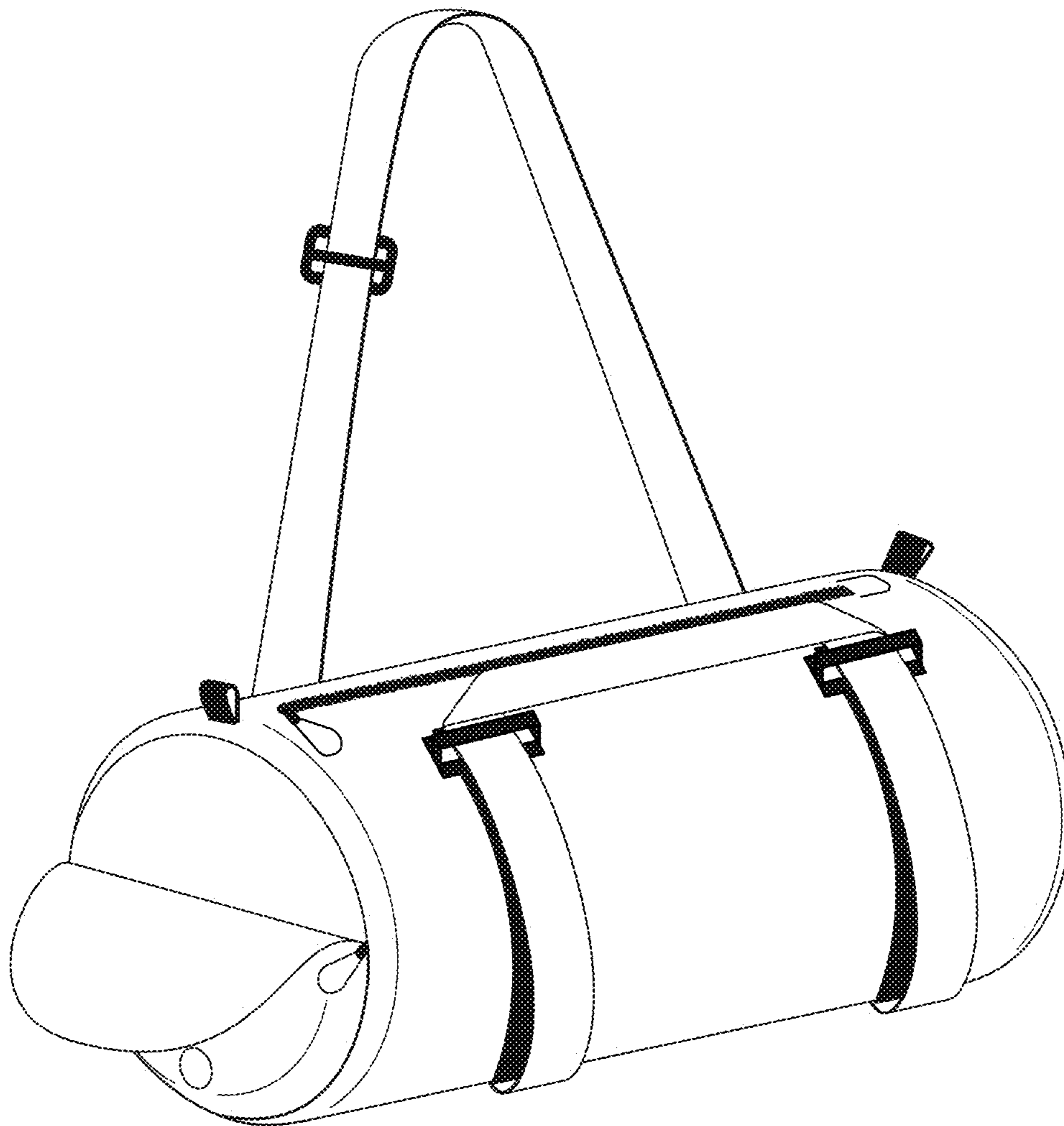


FIG. 3

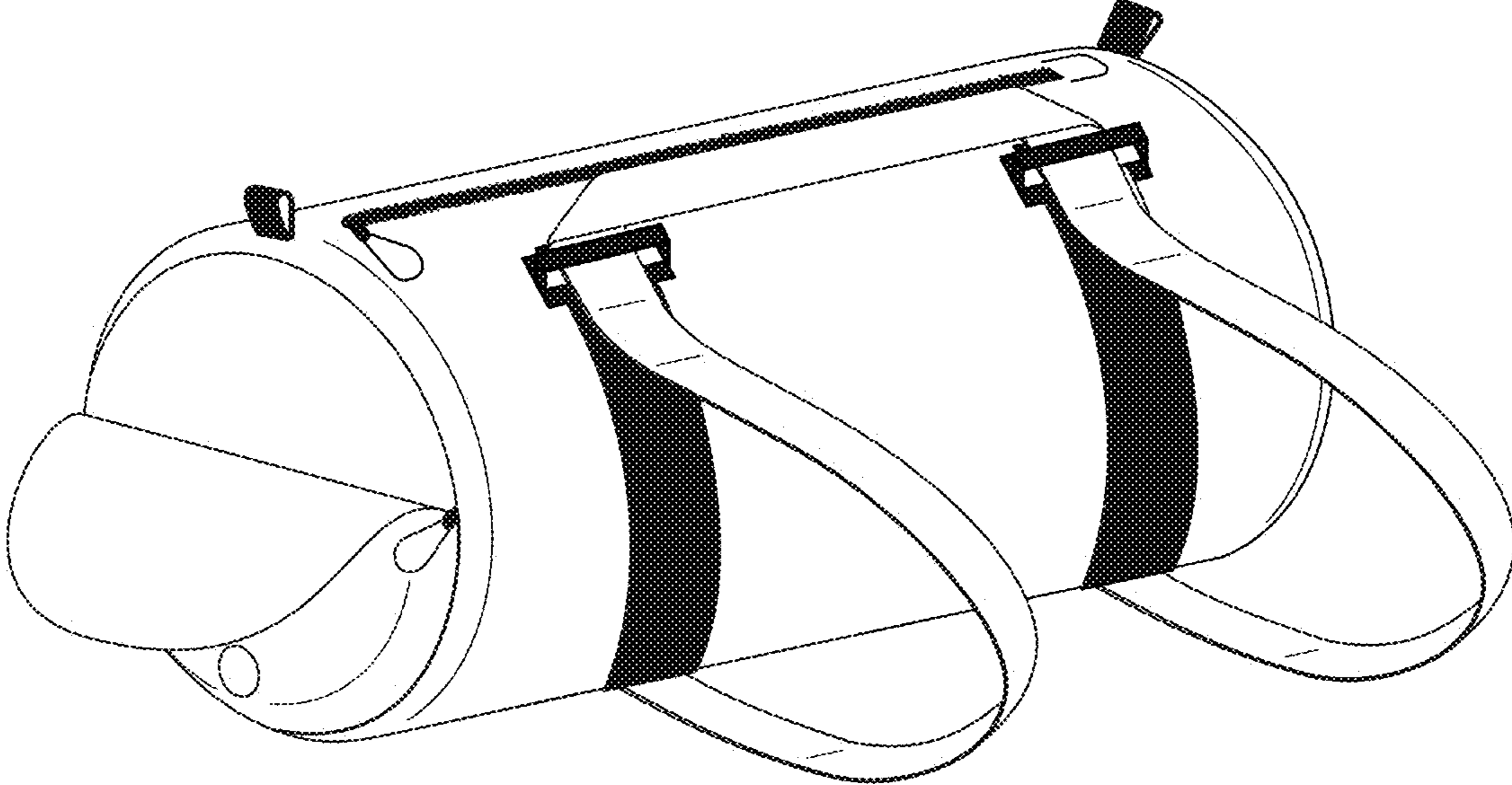


FIG. 4

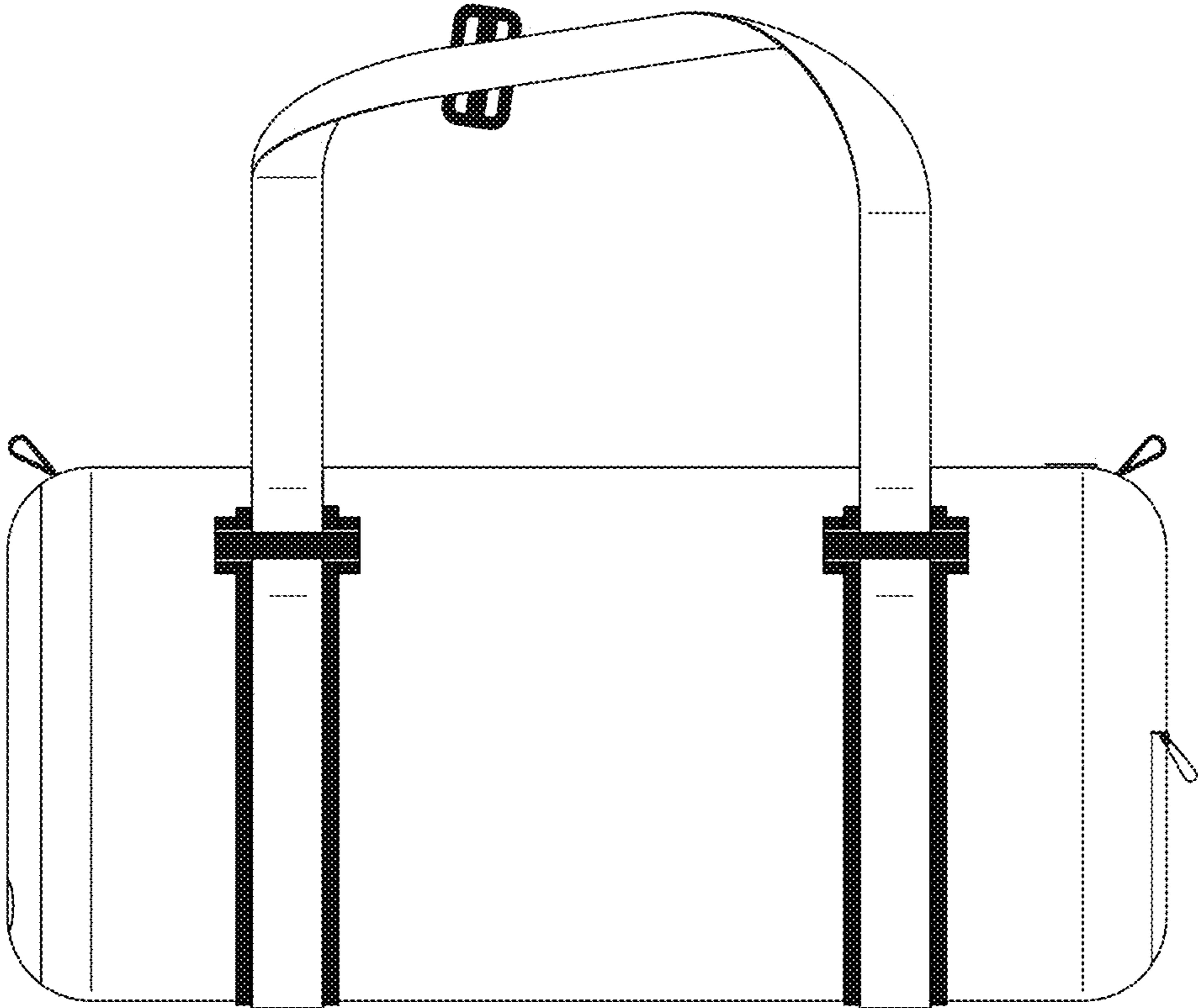


FIG. 5

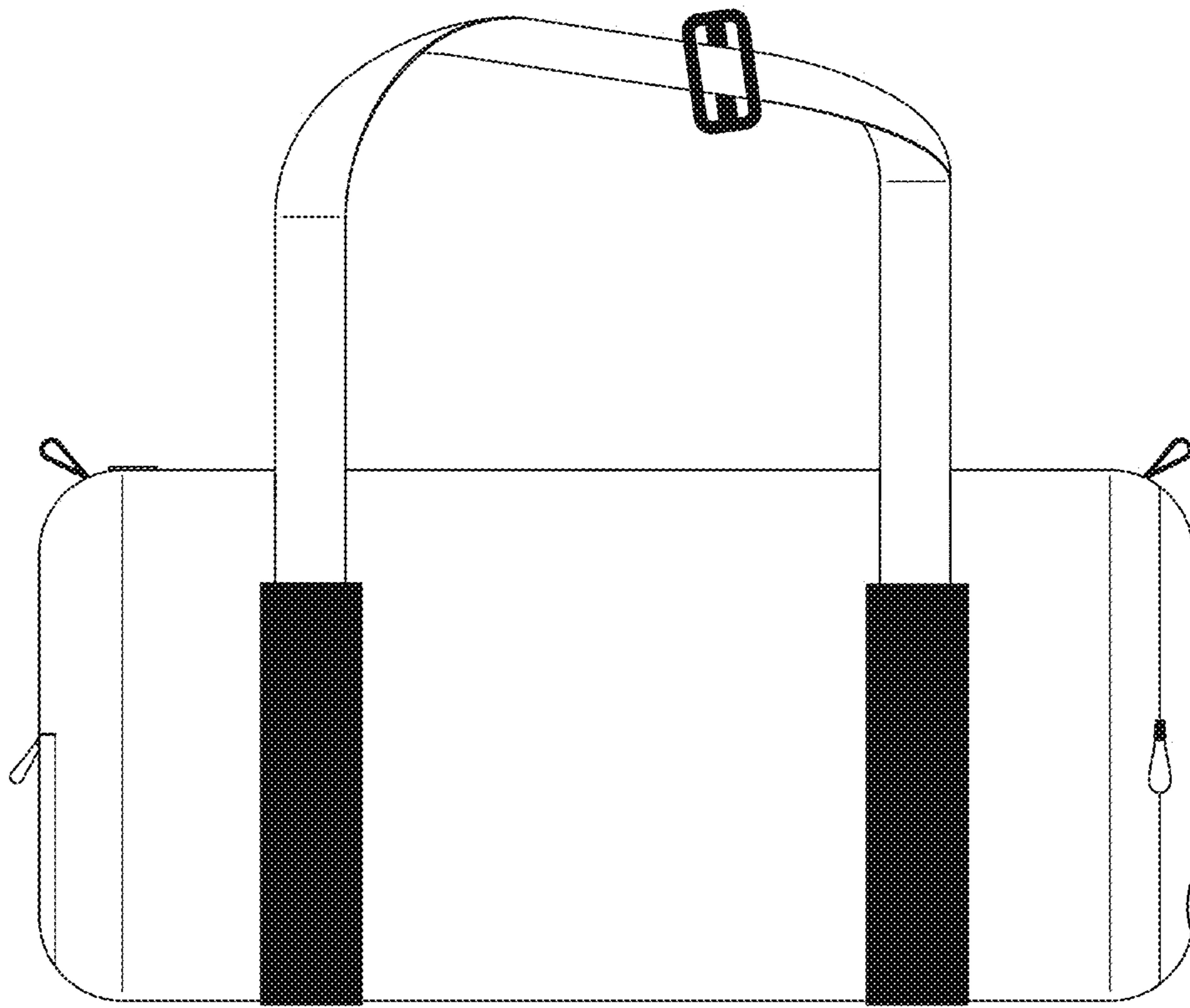


FIG. 6

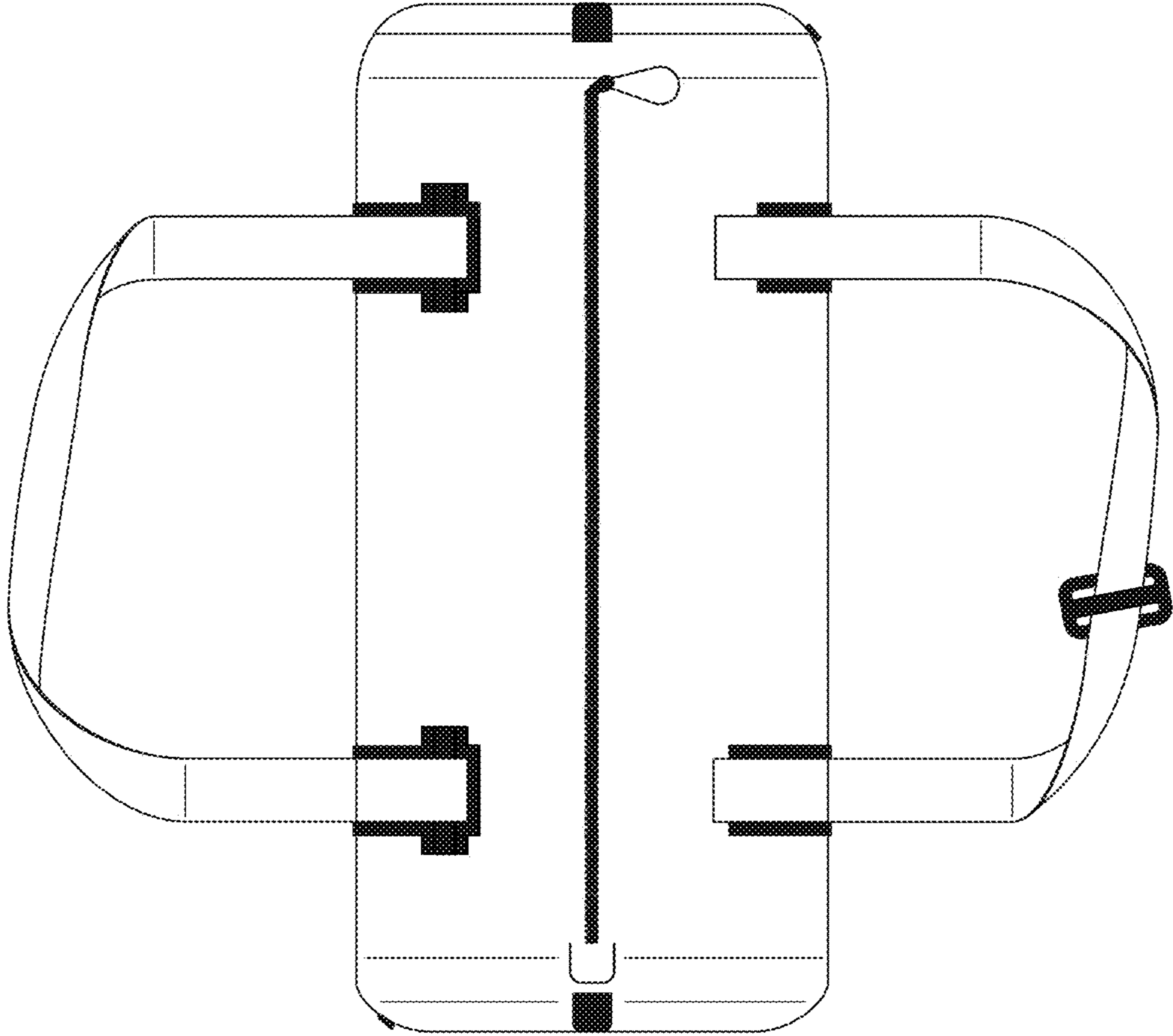


FIG. 7

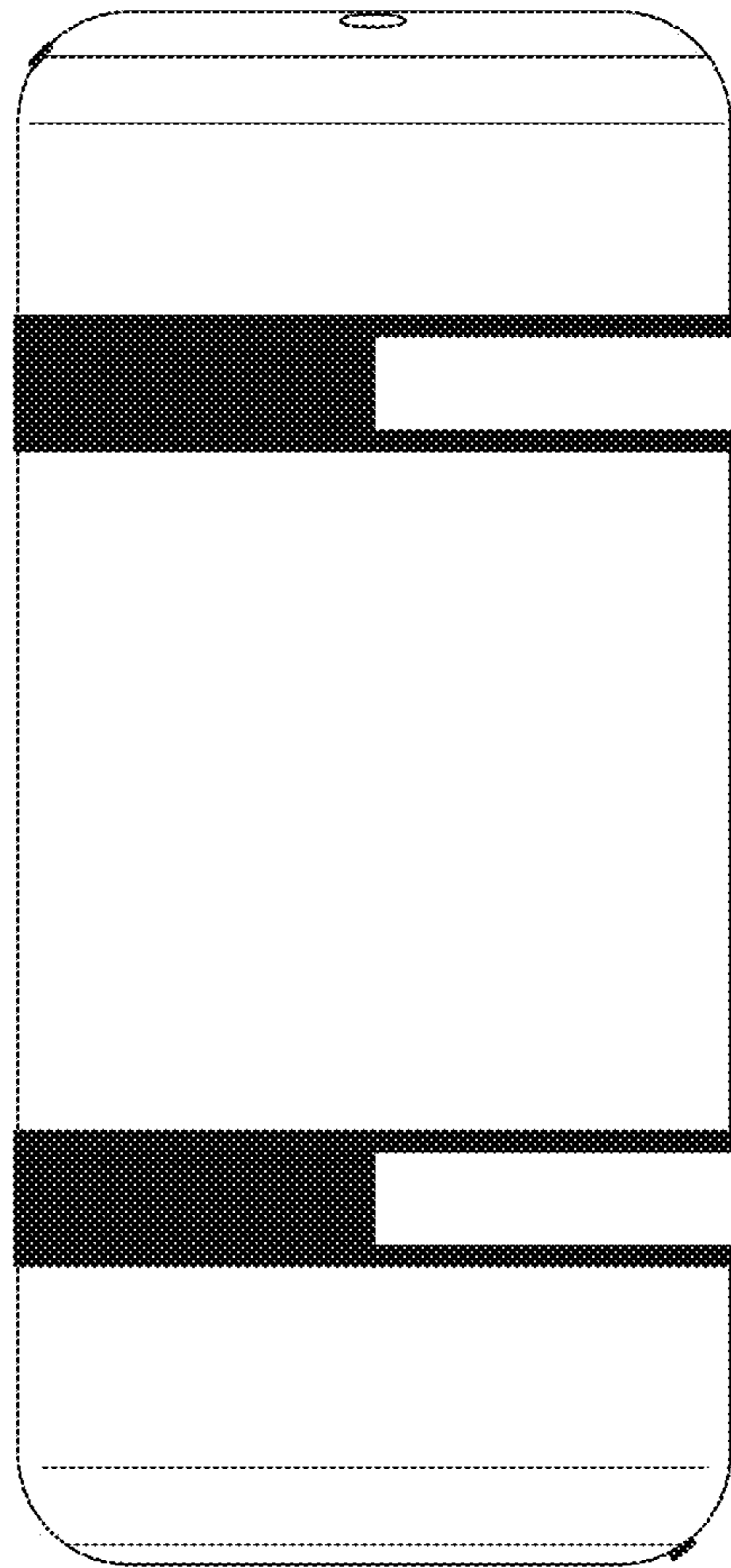


FIG. 8

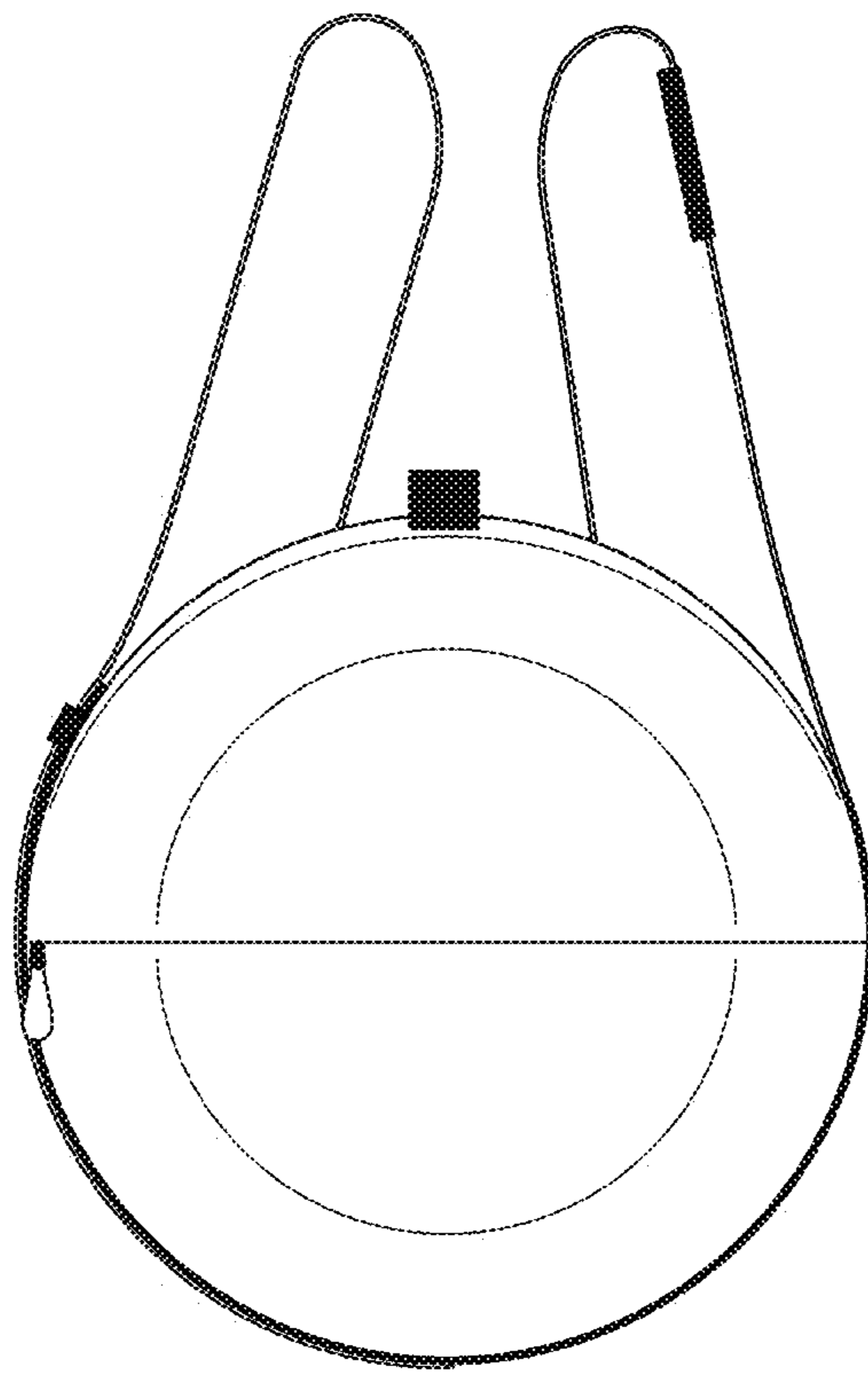


FIG. 9

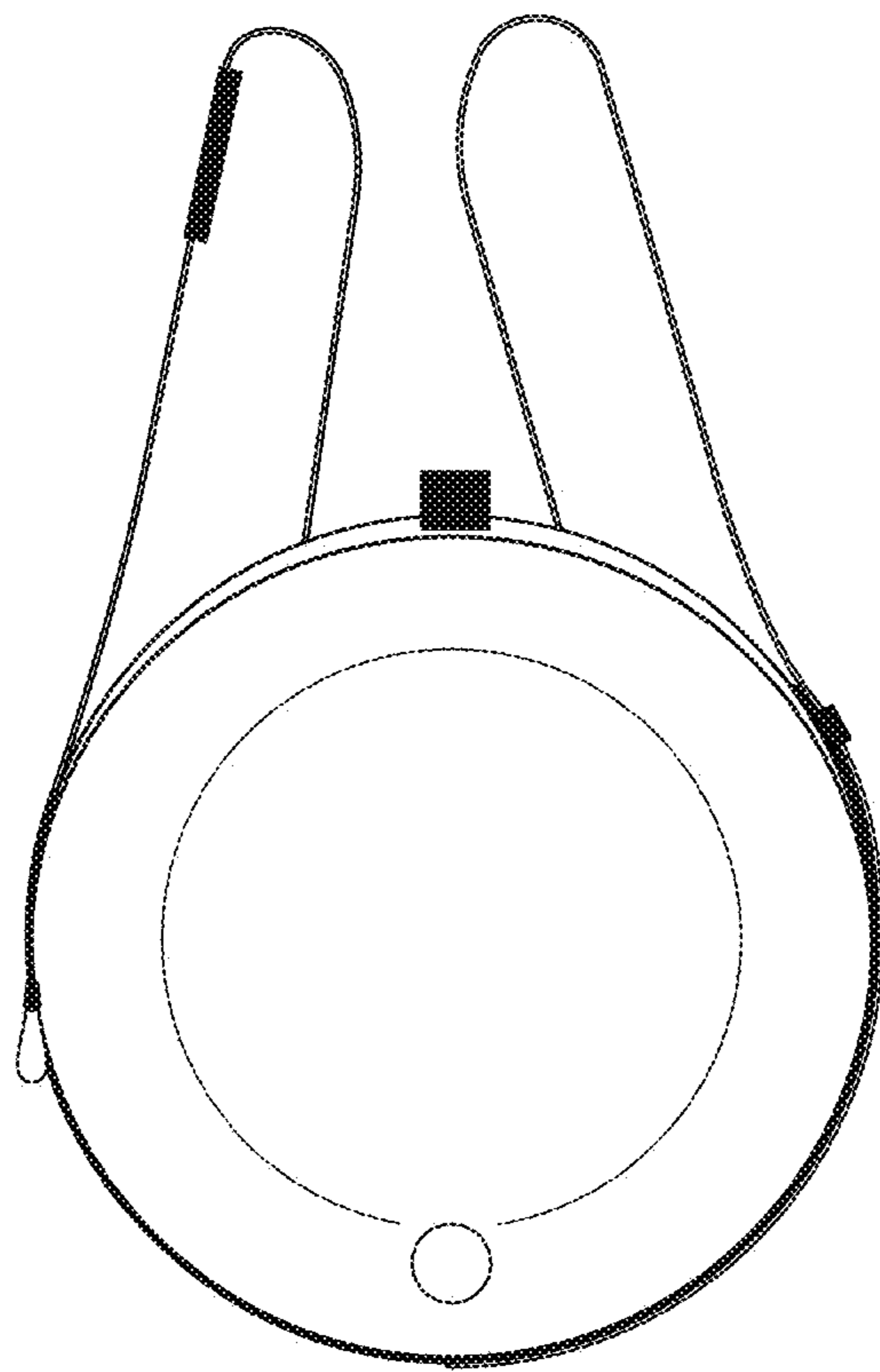


FIG. 10