



US00D961249S

(12) **United States Design Patent** (10) **Patent No.:** **US D961,249 S**
Abloh et al. (45) **Date of Patent:** **** Aug. 23, 2022**

(54) **BAG**
(71) Applicant: **OFF-WHITE, LLC**, New York, NY (US)
(72) Inventors: **Virgil Abloh**, New York, NY (US); **Wayne Fitzell**, Milan (IT)
(73) Assignee: **OFF-WHITE, LLC**, New York, NY (US)
(**) Term: **15 Years**
(21) Appl. No.: **29/752,149**
(22) Filed: **Sep. 25, 2020**
(51) **LOC (13) Cl.** **03-01**
(52) **U.S. Cl.**
USPC **D3/243**
(58) **Field of Classification Search**
USPC D3/218, 232-234, 238, 243-249, 303; D14/250-253
CPC ... A45C 11/00; A45C 13/02; A45C 2011/002; A45C 3/06
See application file for complete search history.

D762,060 S * 7/2016 Adio D3/243
D764,166 S * 8/2016 Kuwakubo D3/246
D767,883 S * 10/2016 Sherman D3/243
D772,563 S * 11/2016 Carol-Libman D3/232
(Continued)

FOREIGN PATENT DOCUMENTS

EM 008281679-0001 * 11/2020
GB 9008281679-0001 * 11/2020

OTHER PUBLICATIONS

“OFF-WHITE Meteor Pocket Bag In Black”, first seen Jul. 2021, modesens.com, site visited Oct. 13, 2021: <https://modesens.com/product/off-white-meteor-pocket-bag-black-33723658/> (Year: 2021).*

Primary Examiner — Jennifer L Watkins
Assistant Examiner — Samantha Lynne Brodowski
(74) *Attorney, Agent, or Firm* — Epstein Drangel LLP; Robert L. Epstein

(57) **CLAIM**

The ornamental design for a bag, substantially as shown and described.

DESCRIPTION

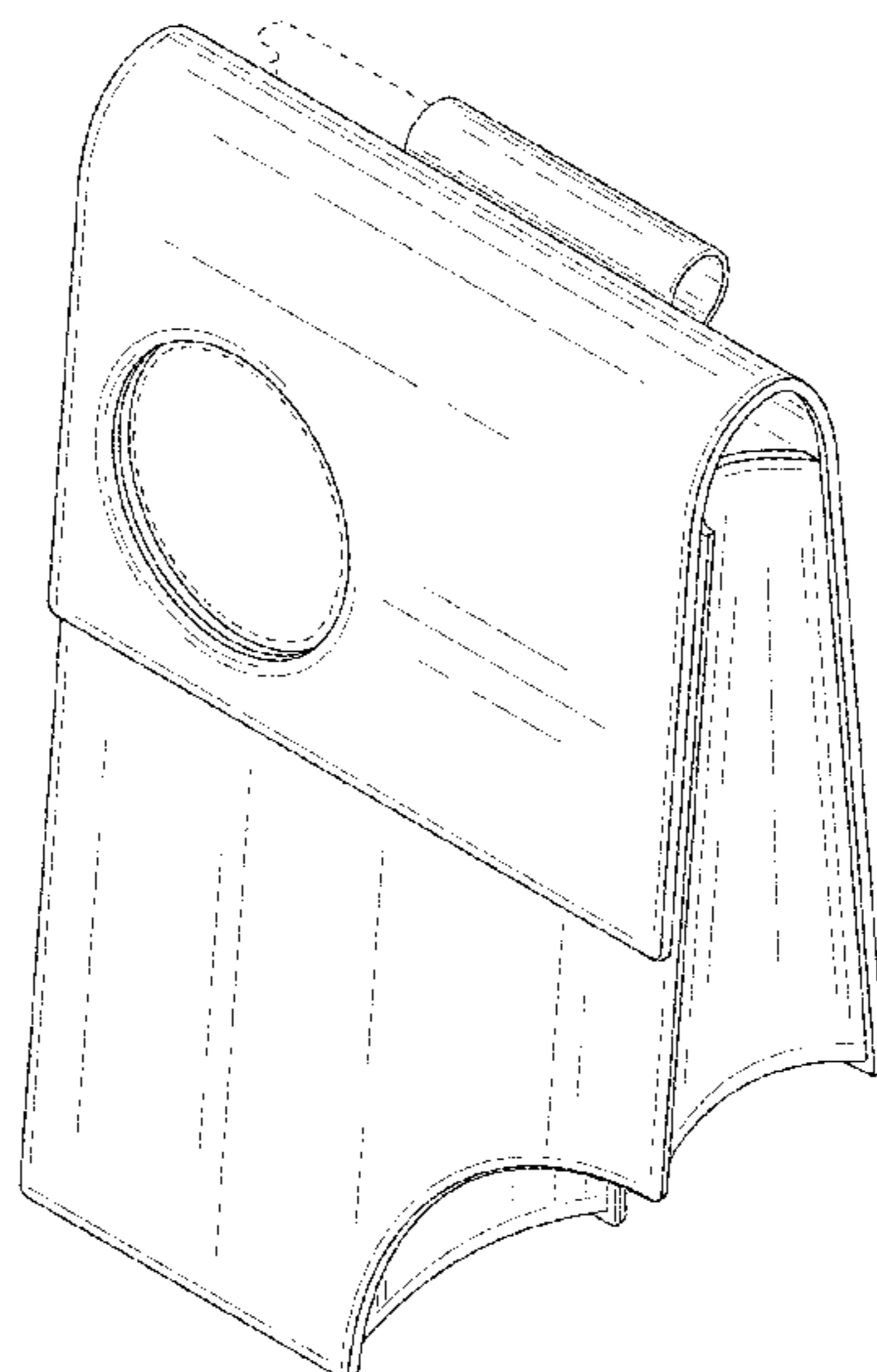
FIG. 1 is an isometric view of a bag showing the top, front and right side thereof;
FIG. 2 is an isometric view showing the bottom, rear and left side thereof,
FIG. 3 is a front elevation view thereof;
FIG. 4 is a rear elevation view thereof,
FIG. 5 is an elevation view of the left side thereof,
FIG. 6 is an elevation view of the right side thereof;
FIG. 7 is a top plan view thereof; and,
FIG. 8 is a bottom plan view thereof.
The portions in the figures which are shown in broken lines are intended to show the environment in which the bag is used and do not form a part of the claimed design

1 Claim, 6 Drawing Sheets

(56) **References Cited**

U.S. PATENT DOCUMENTS

1,532,030 A * 3/1925 Bonime A45C 15/04 150/106
D266,203 S * 9/1982 Berman 224/240
D304,907 S * 12/1989 Tamsen D9/418
D307,673 S * 5/1990 Brown 224/240
D349,052 S * 7/1994 Goldstein D9/418
D396,554 S * 8/1998 Roeder D3/232
D403,151 S * 12/1998 Heredos-Formby D3/246
D429,881 S * 8/2000 Gray D3/215
D496,158 S * 9/2004 Gilad D3/232
D504,230 S * 4/2005 Thomas D3/243
D619,358 S * 7/2010 Dillard D3/243
D658,872 S * 5/2012 Schiffman D3/243
D669,265 S * 10/2012 Pent D3/243
D723,022 S * 2/2015 Miles D14/253



(56)

References Cited

U.S. PATENT DOCUMENTS

D806,384 S *	1/2018	Lopez Montoya	D3/243
D855,981 S *	8/2019	Vickery	D3/243
D856,666 S *	8/2019	Marzin	D3/232
D880,159 S *	4/2020	Fenton	D3/303
D904,014 S *	12/2020	Gvasalia	D3/243
D923,931 S *	7/2021	Yang	D3/218
D925,218 S *	7/2021	Abloh	D3/243
D933,953 S *	10/2021	Lu	D3/243
D935,170 S *	11/2021	Yang	D3/218
D935,174 S *	11/2021	Dumas	A45C 1/00 D3/243
D942,144 S *	2/2022	Abloh	D3/218
2012/0186709 A1 *	7/2012	Mulaw	A45C 11/32 150/106

* cited by examiner

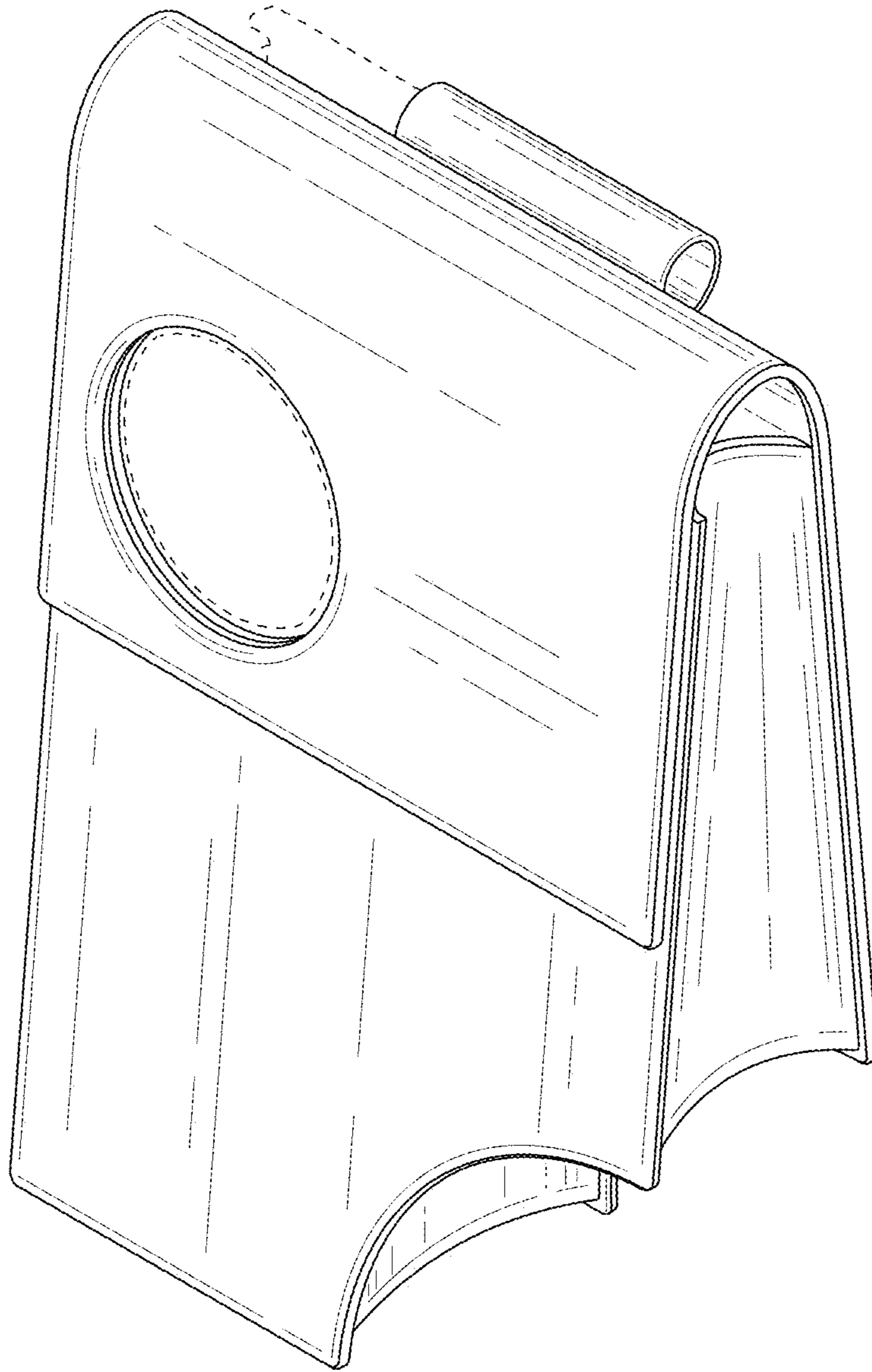


FIG. 1

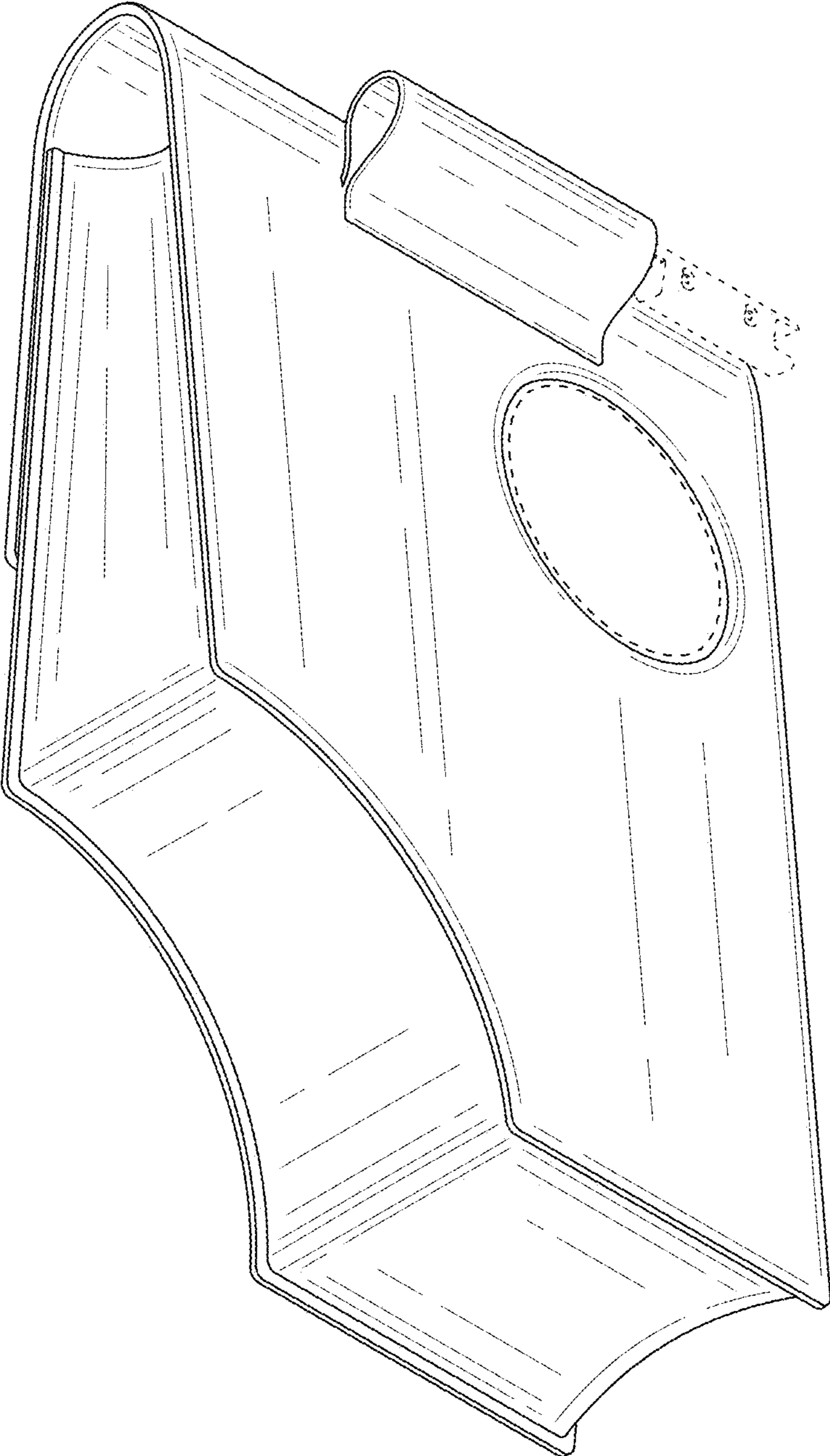


FIG. 2

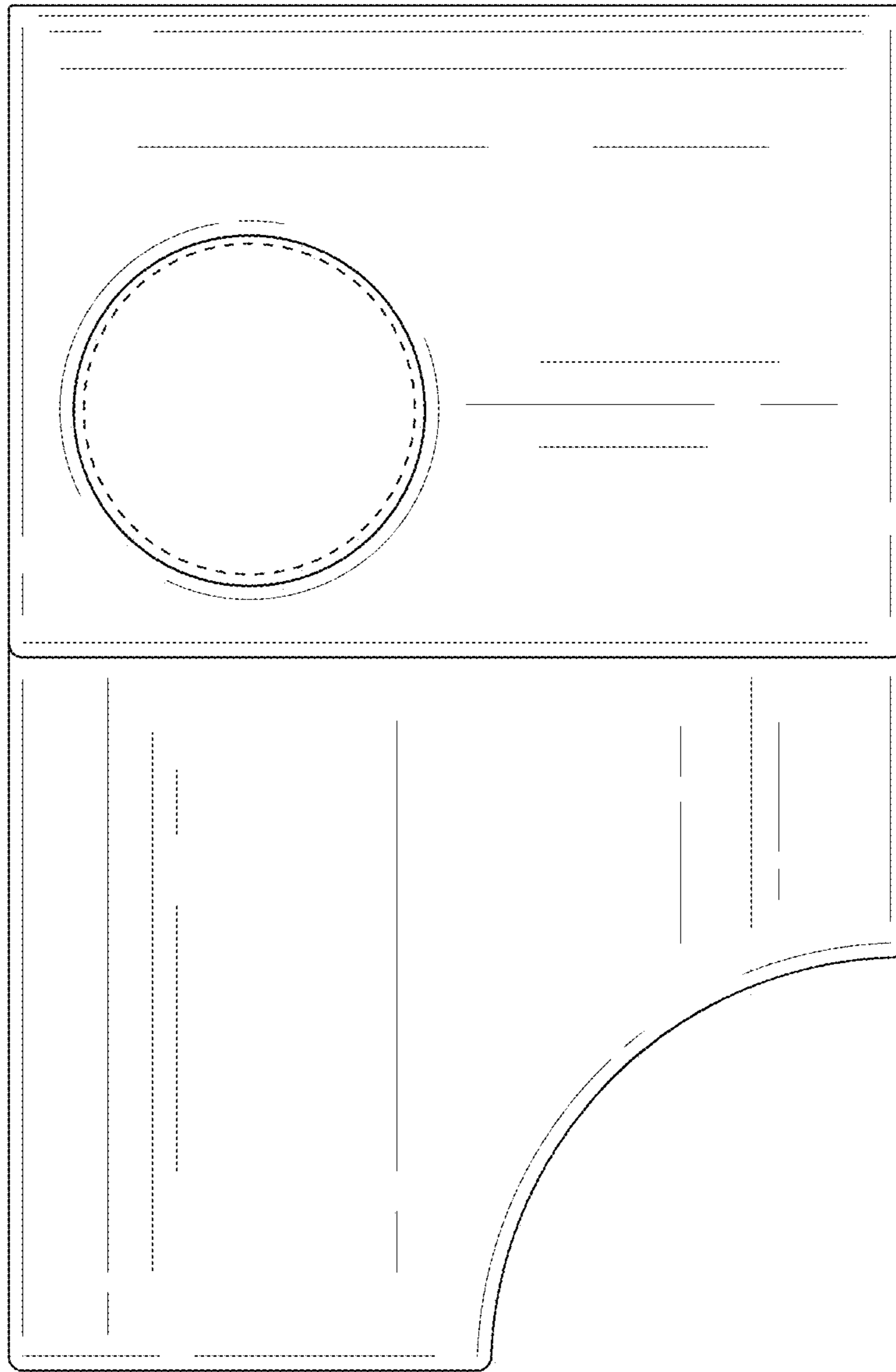


FIG. 3

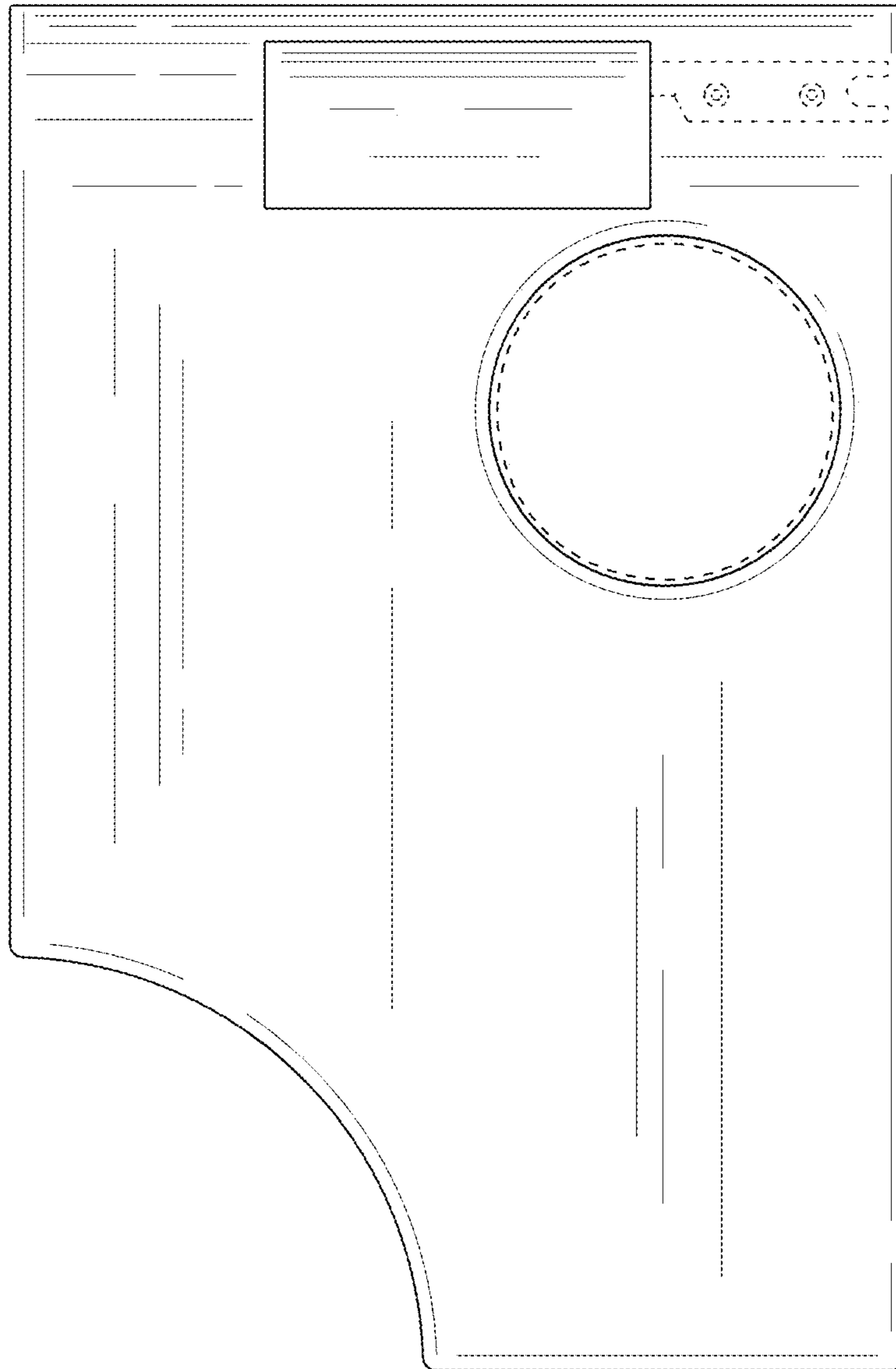


FIG. 4

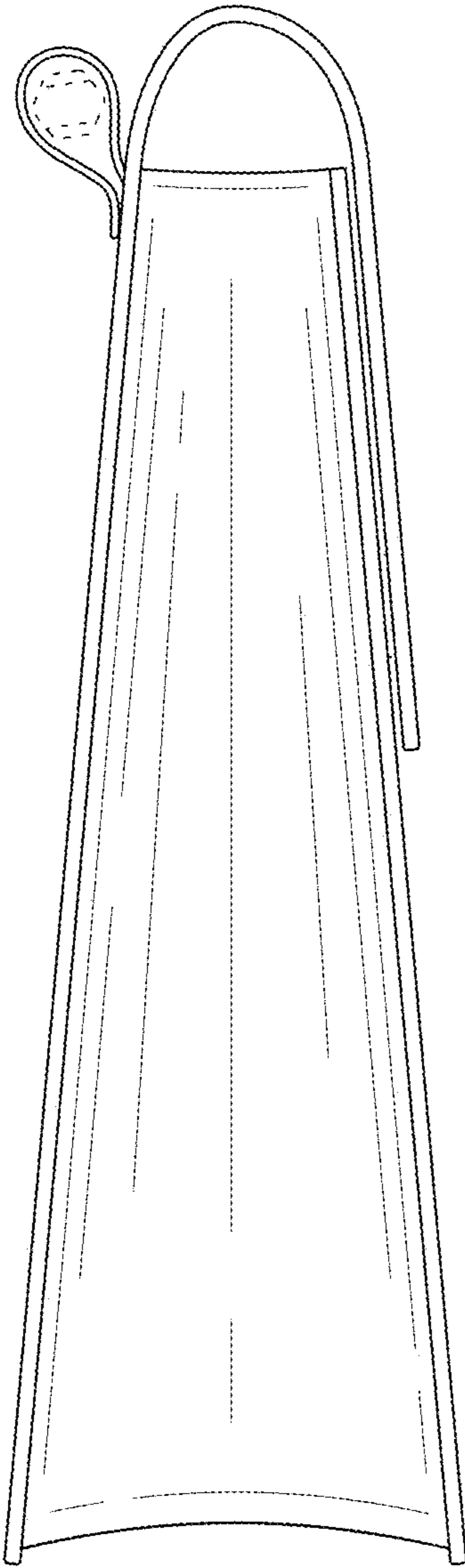


FIG. 5

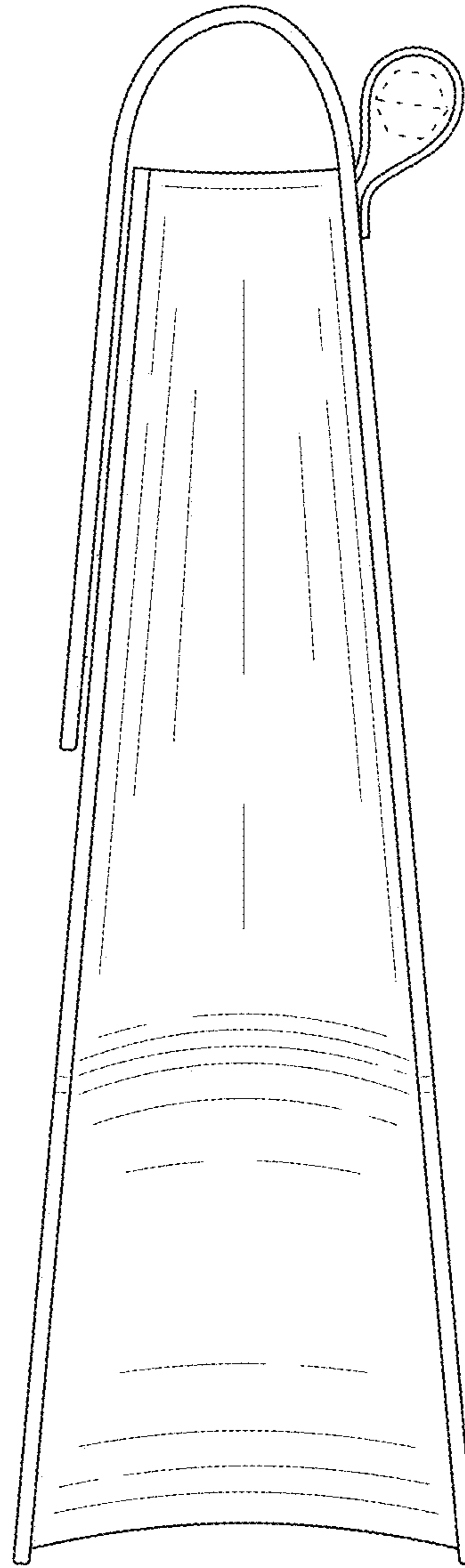


FIG. 6

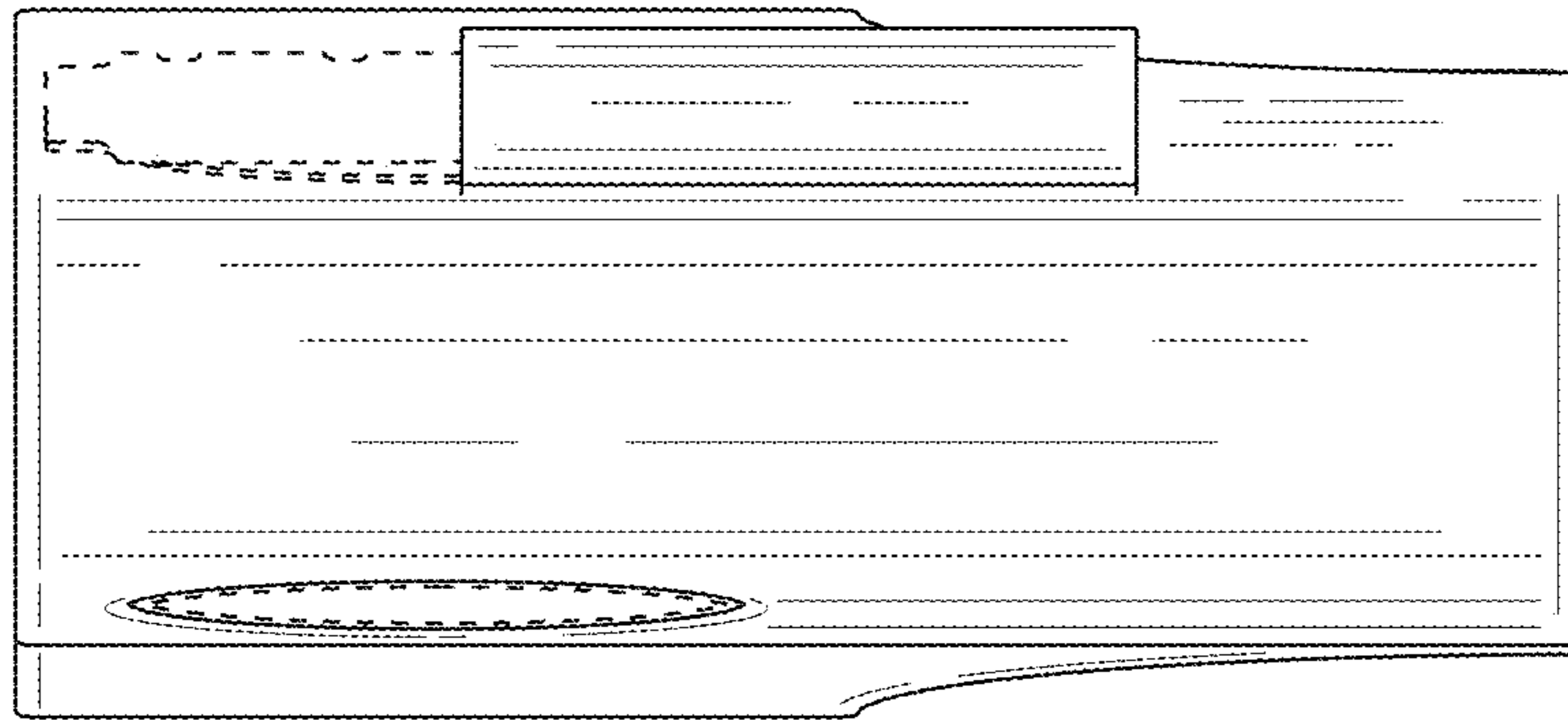


FIG. 7

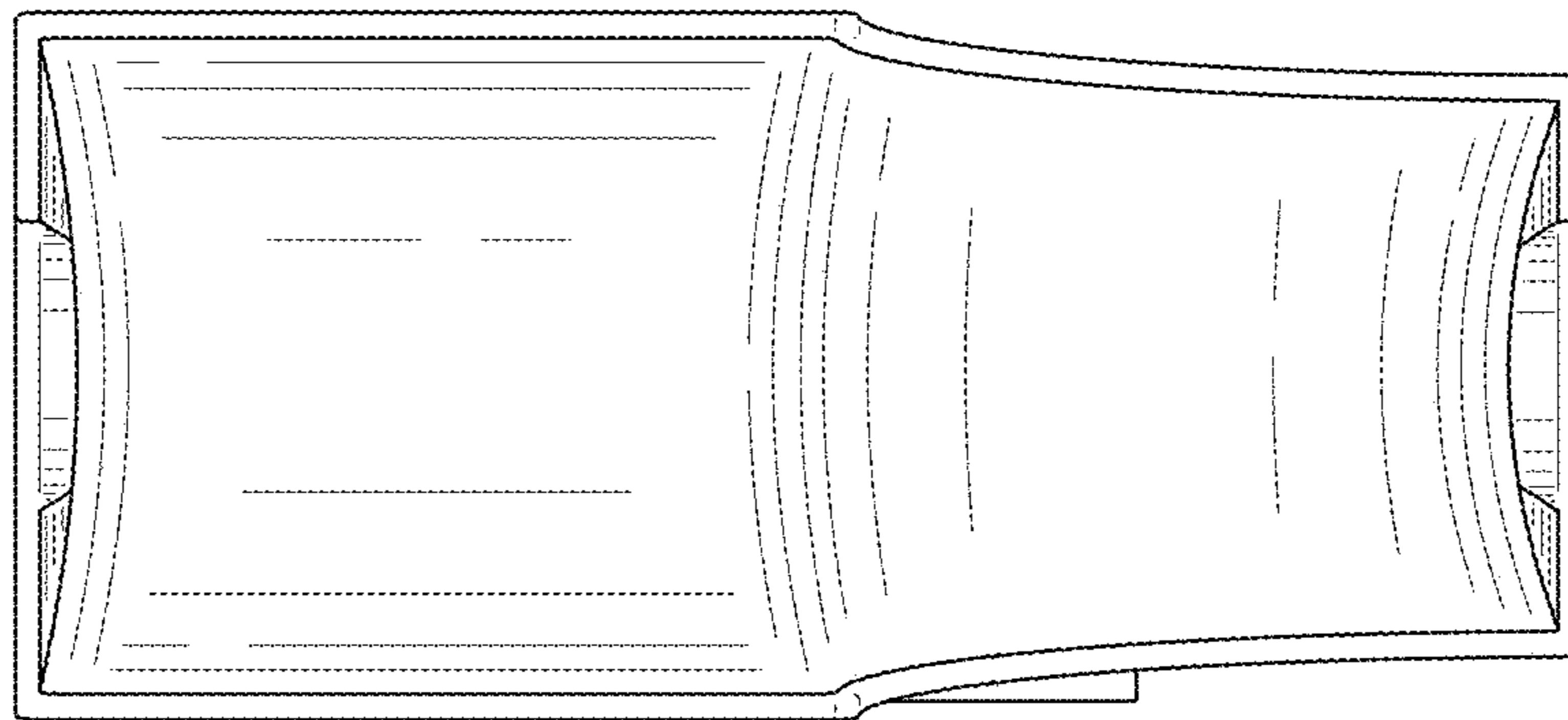


FIG. 8