



US00D961247S

(12) **United States Design Patent**
Mims

(10) **Patent No.:** **US D961,247 S**

(45) **Date of Patent:** **** Aug. 23, 2022**

(54) **BACKPACK**

(71) Applicant: **Myrtle Mims**, Albany, NY (US)

(72) Inventor: **Myrtle Mims**, Albany, NY (US)

(**) Term: **15 Years**

(21) Appl. No.: **29/702,998**

(22) Filed: **Aug. 23, 2019**

(51) **LOC (13) Cl.** **03-01**

(52) **U.S. Cl.**
USPC **D3/217**

(58) **Field of Classification Search**

USPC D3/201, 213–219, 221, 224, 225, 229,
D3/230, 232, 243–246, 254, 318

CPC .. A45C 3/08; A45C 3/06; A45C 13/08; A45C
13/02; A45C 7/0086; A45C 3/00; A45C
13/26; A45F 3/04; A45F 3/02

See application file for complete search history.

(56) **References Cited**

U.S. PATENT DOCUMENTS

D805,761 S * 12/2017 Garcia D3/216
D857,377 S * 8/2019 Hong D3/217

D887,705 S * 6/2020 Feng D3/217
D919,287 S * 5/2021 He D3/217
2005/0258294 A1* 11/2005 Dickson A45F 4/04
242/388.3

* cited by examiner

Primary Examiner — Jennifer L Watkins

(74) *Attorney, Agent, or Firm* — Schmeiser, Olsen &
Watts LLP

(57) **CLAIM**

The ornamental design for a backpack, as shown and
described.

DESCRIPTION

FIG. 1 is a front perspective view of the design for a first
embodiment of a backpack;

FIG. 2 is a front view thereof;

FIG. 3 is a rear view thereof;

FIG. 4 is a left side view thereof;

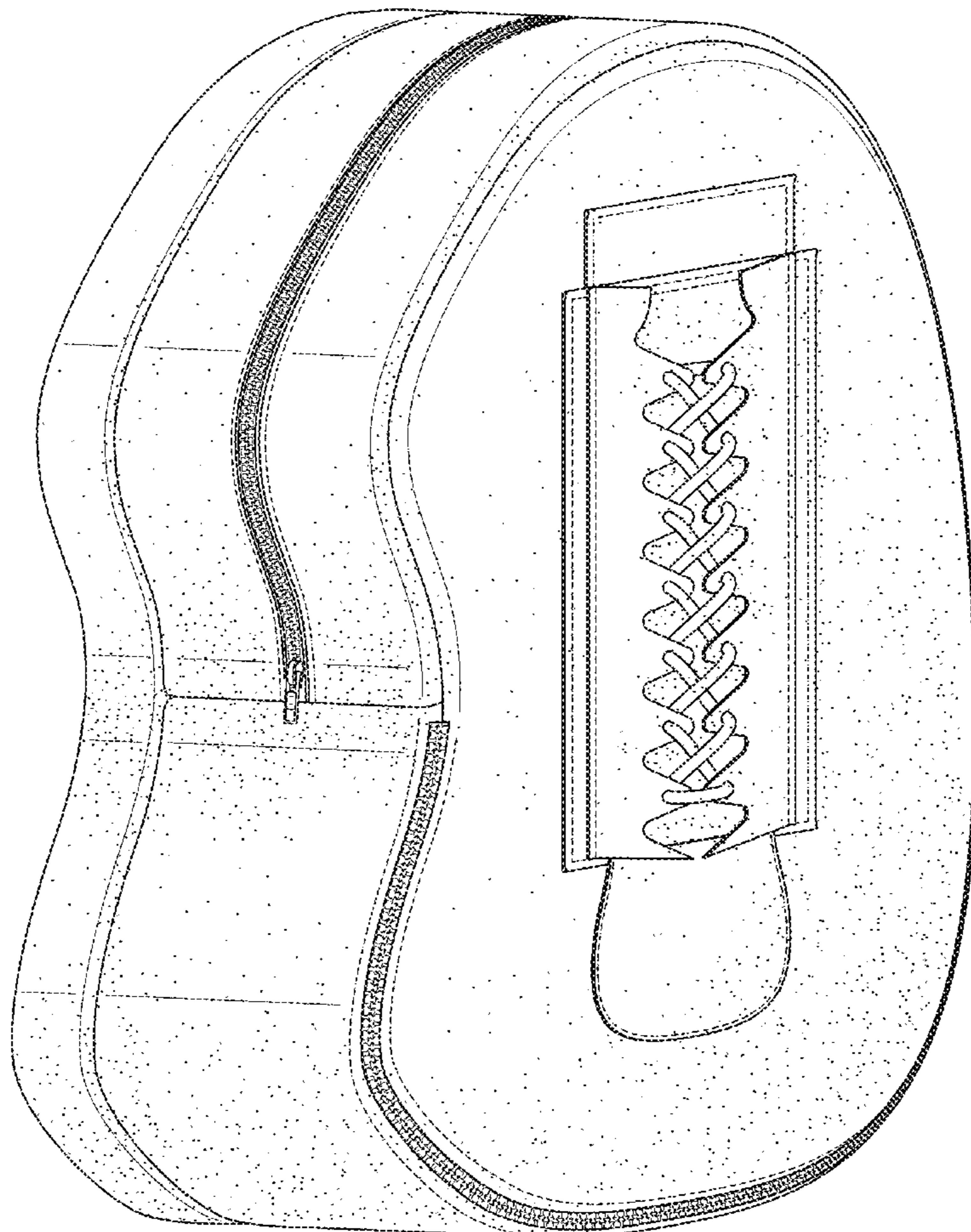
FIG. 5 is a right side view thereof;

FIG. 6 is a top view thereof; and,

FIG. 7 is a bottom view thereof.

The evenly dashed lines shown on the backpack depict
stitching and form no part of the claim.

1 Claim, 7 Drawing Sheets



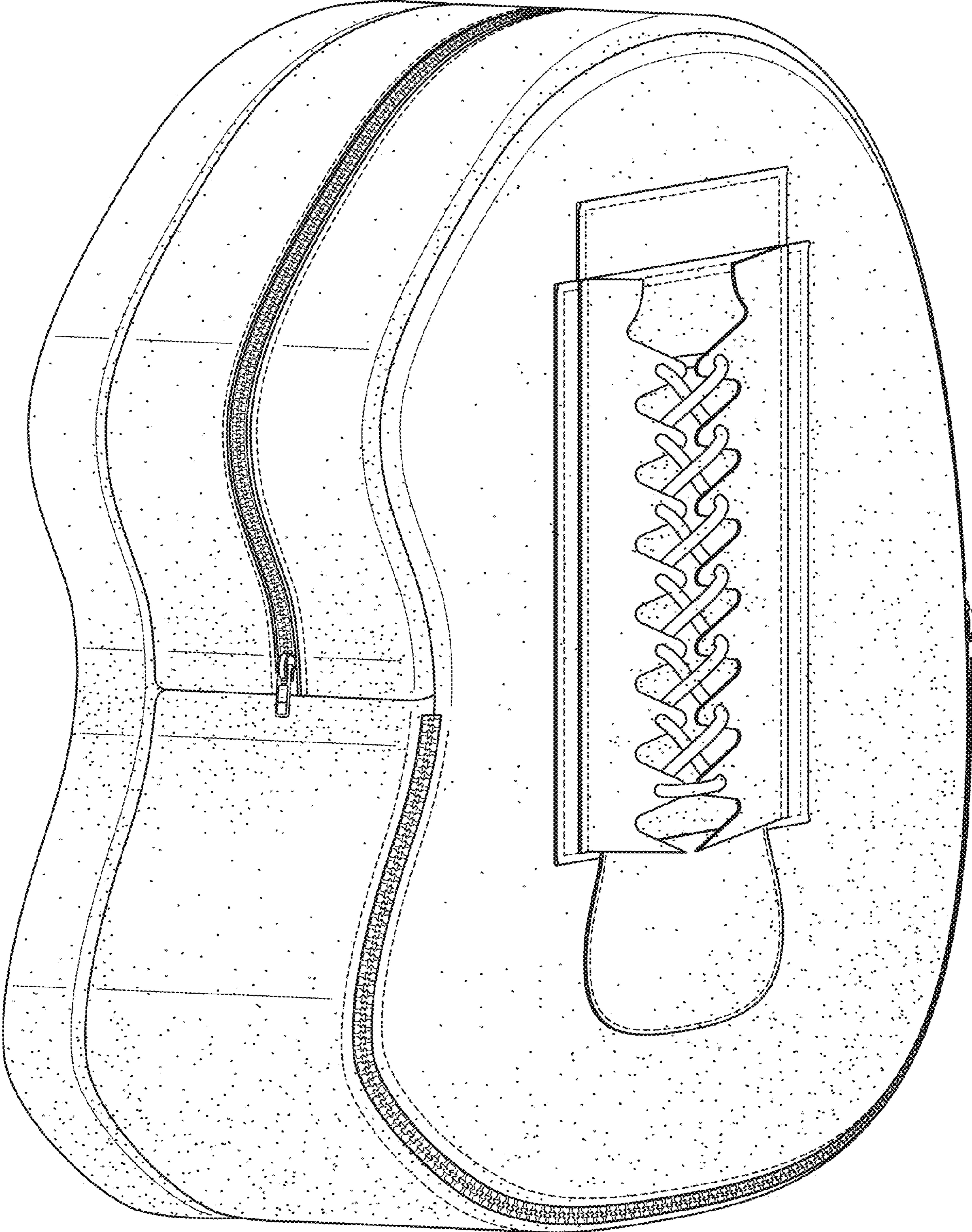


FIG. 1

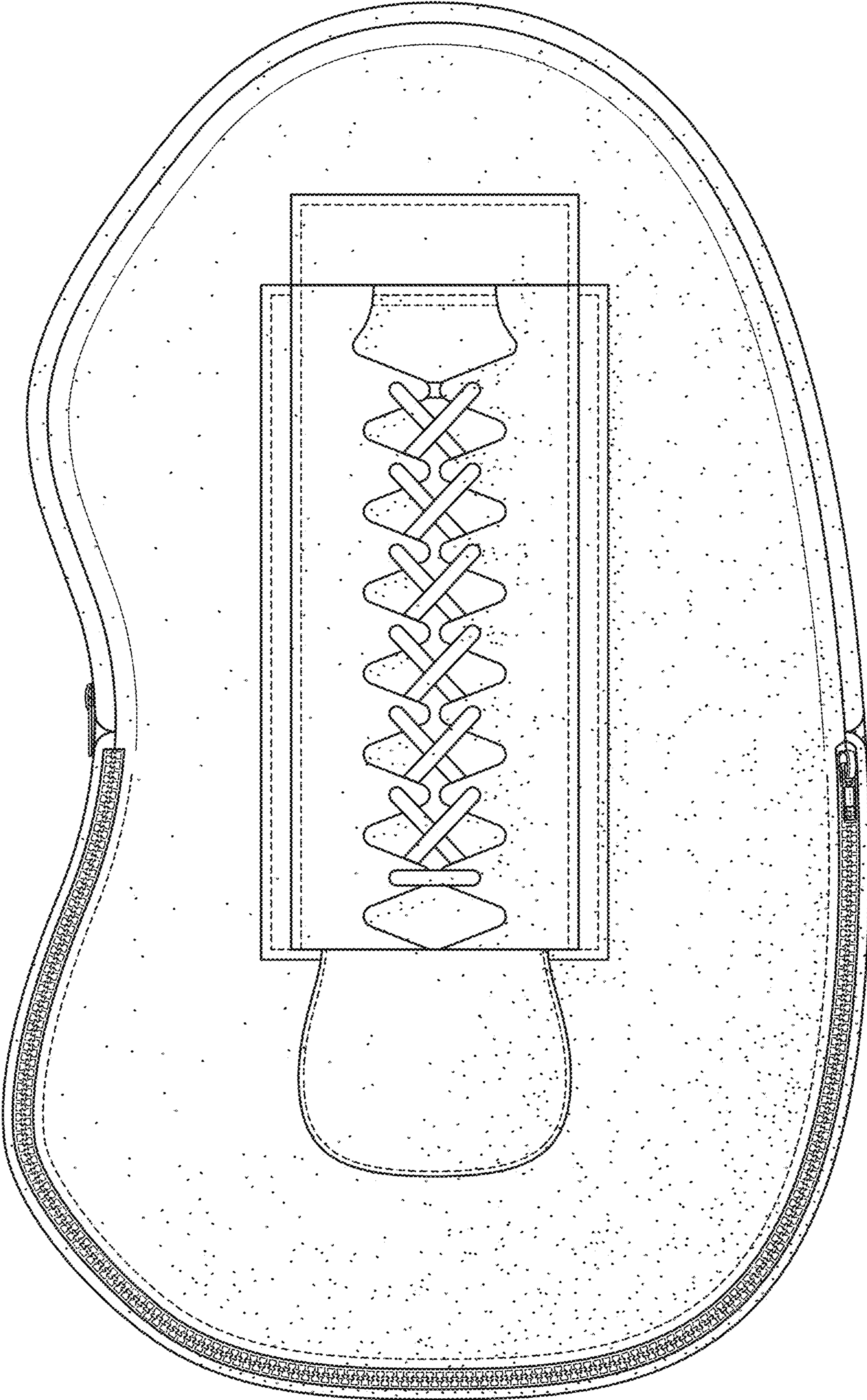


FIG. 2

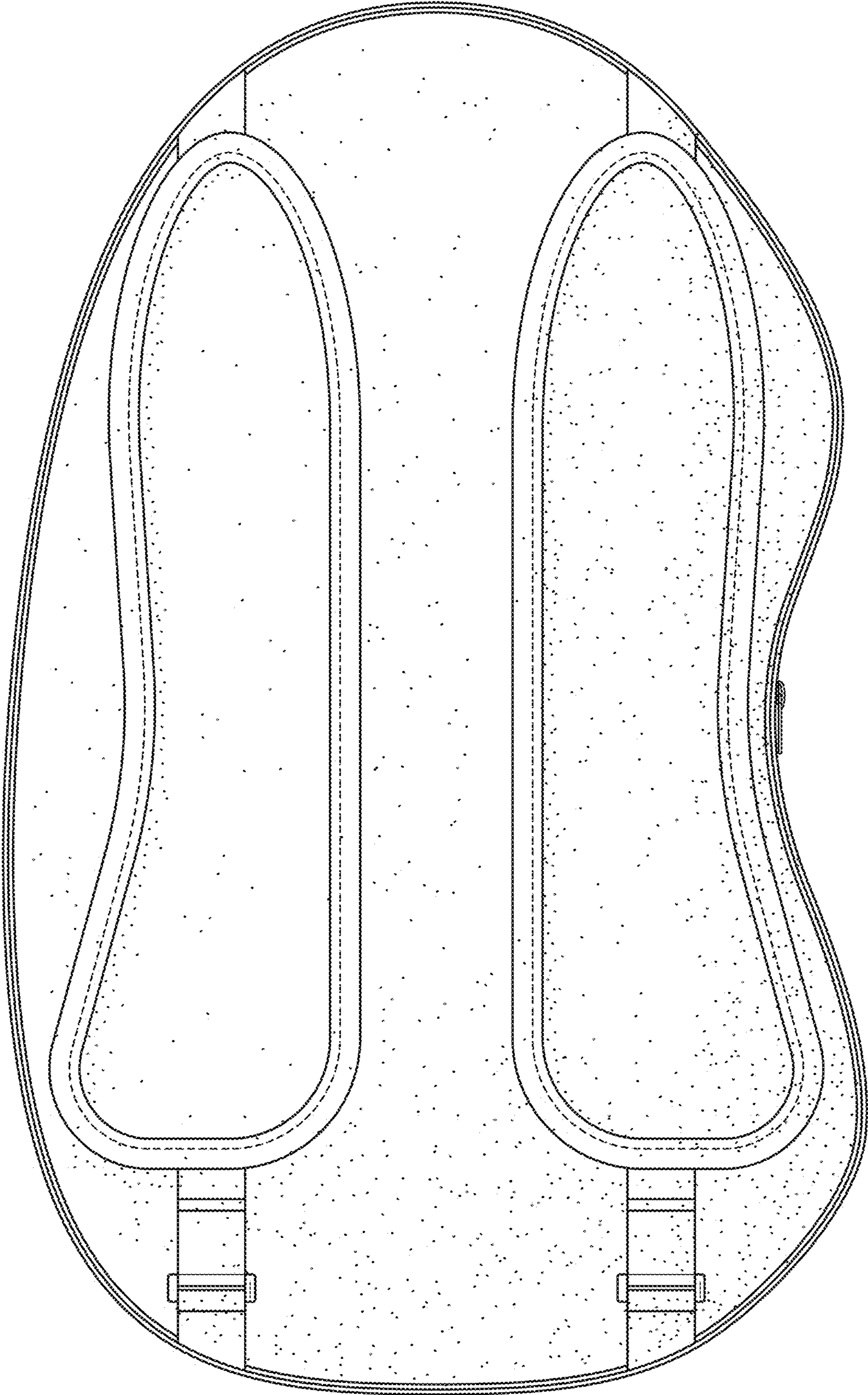


FIG. 3

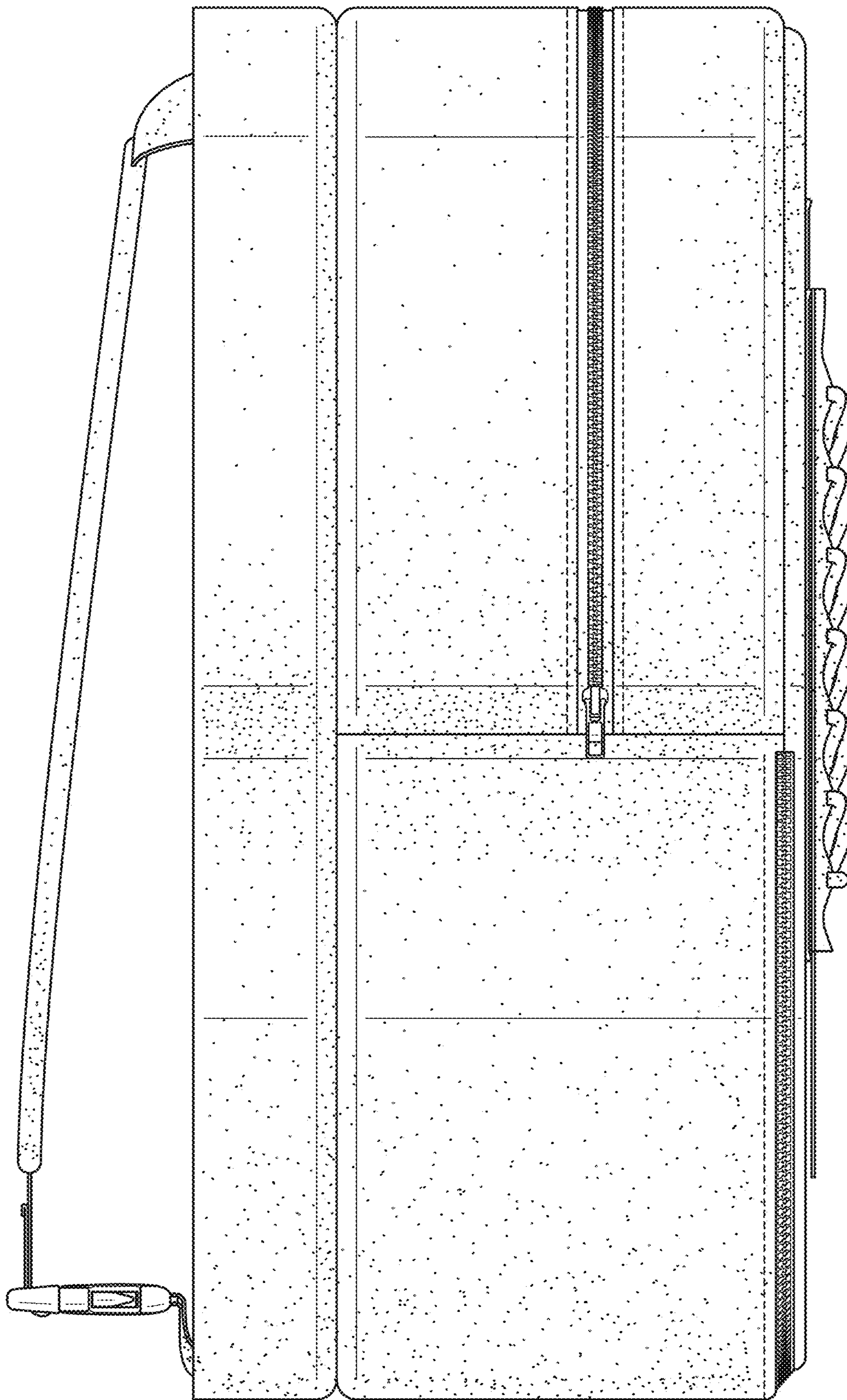


FIG. 4

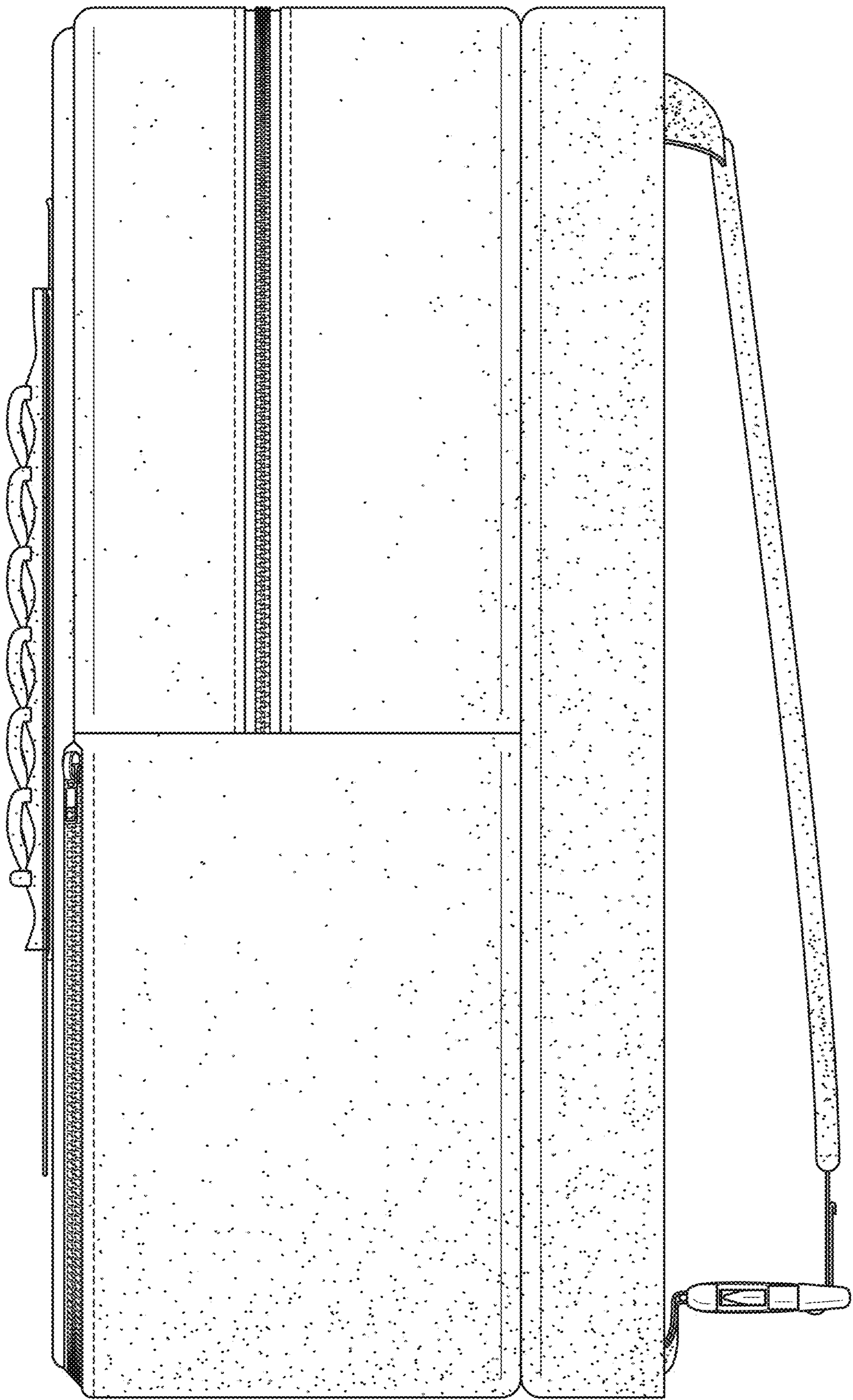


FIG. 5

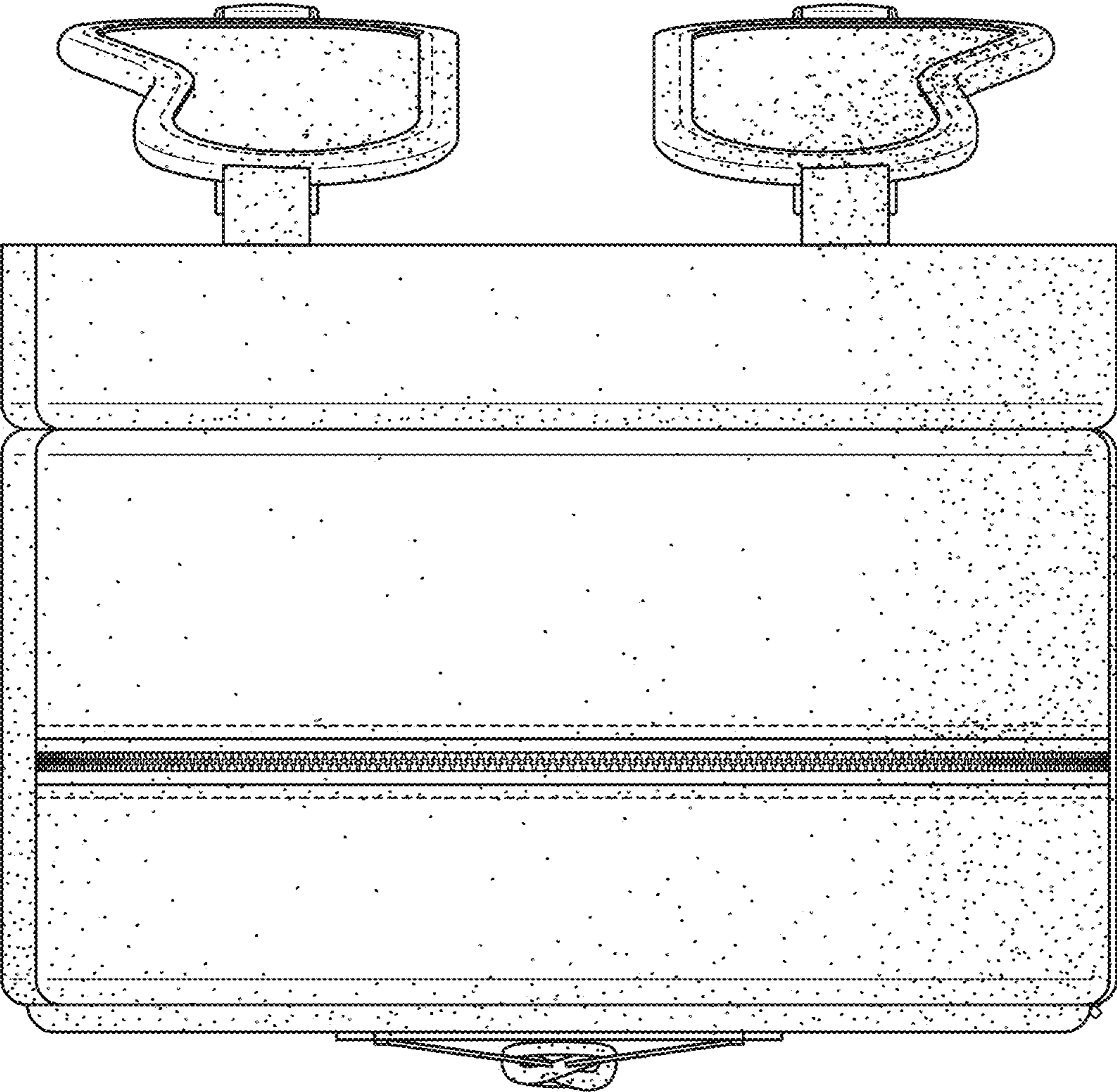


FIG. 6

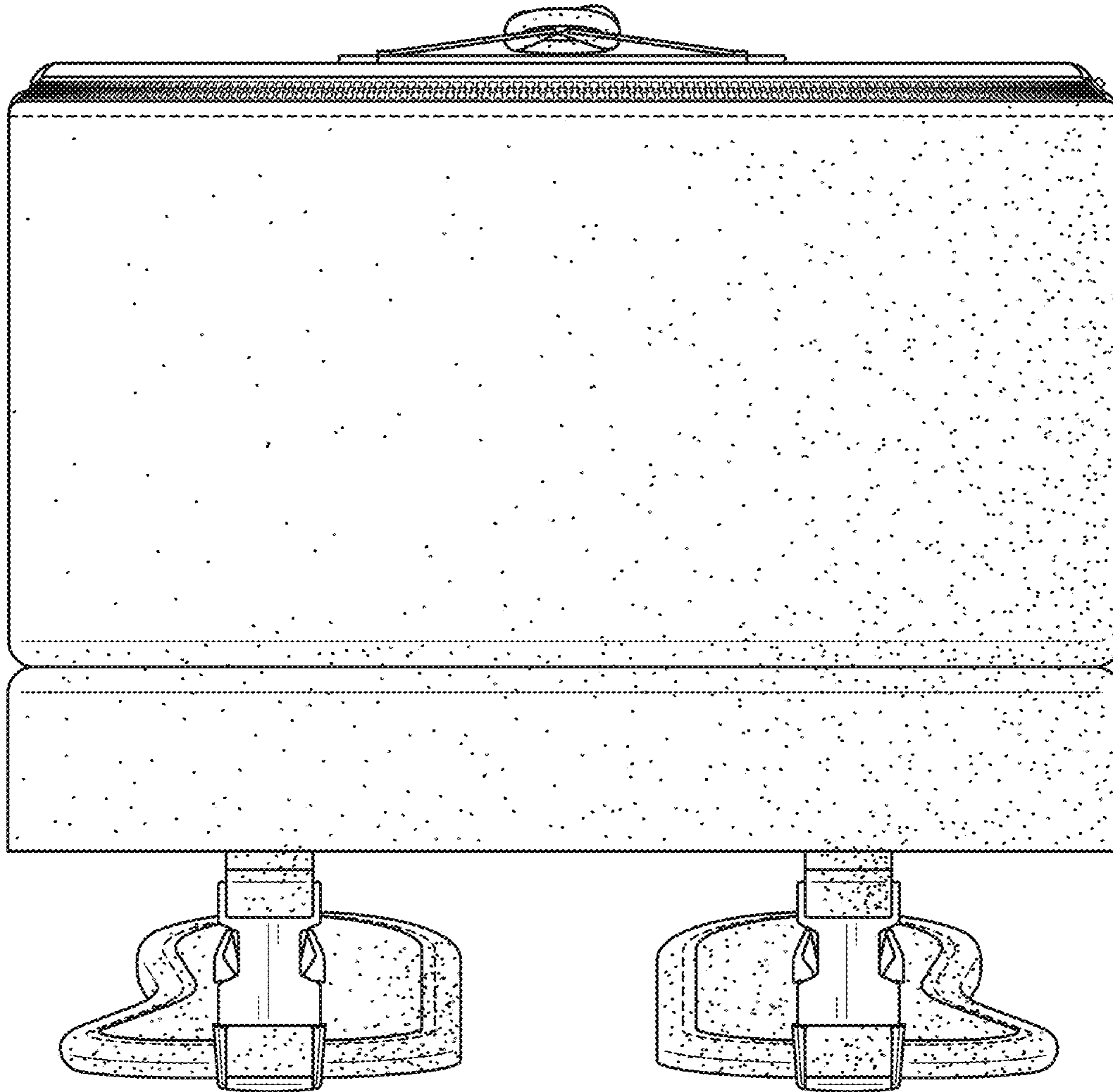


FIG. 7