



US00D961243S

(12) **United States Design Patent**  
**Savioli**

(10) **Patent No.:** **US D961,243 S**

(45) **Date of Patent:** **\*\* Aug. 23, 2022**

(54) **BED RAIL CANE**

(71) Applicant: **Vive Health LLC**, Naples, FL (US)

(72) Inventor: **Guy Savioli**, Naples, FL (US)

(73) Assignee: **Vive Health LLC**, Naples, FL (US)

(\*\*) Term: **15 Years**

(21) Appl. No.: **29/772,742**

(22) Filed: **Mar. 3, 2021**

(51) **LOC (13) Cl.** ..... **03-03**

(52) **U.S. Cl.**  
USPC ..... **D3/7**

(58) **Field of Classification Search**  
USPC ..... D3/7, 5-6, 8-17; D12/129, 130, 133,  
D12/131; D34/12, 19-20, 25, 29;  
D6/406.1, 406.2; D24/231  
CPC .... A61H 3/00; A45B 1/04; A45B 9/02; A45B  
3/04; A45B 9/00; A61G 7/053  
See application file for complete search history.

(56) **References Cited**

U.S. PATENT DOCUMENTS

D208,607 S *	9/1967	Williams	.....	D3/7
3,387,618 A *	6/1968	Swann	.....	A61H 3/02 135/67
3,474,993 A *	10/1969	Murcott	.....	A61H 3/00 135/73
4,932,090 A *	6/1990	Johansson	.....	A61G 7/053 5/662
5,295,498 A *	3/1994	Van Meter	.....	A61G 5/14 135/65
5,471,689 A *	12/1995	Shaw	.....	A61G 7/0536 5/426
5,481,772 A	1/1996	Glynn et al.		
5,781,945 A	7/1998	Scherer et al.		

6,240,583 B1 *	6/2001	Brooke	.....	A61G 7/0522 5/430
6,332,232 B1 *	12/2001	Neal	.....	A61G 7/053 5/84.1
6,401,280 B1 *	6/2002	Baker	.....	A61G 7/0507 5/426

(Continued)

FOREIGN PATENT DOCUMENTS

JP	D1079363	*	7/2000
JP	D1302429	*	6/2007

OTHER PUBLICATIONS

Amazon.com, site visited Apr. 19, 2022, OasisSpace Bed Rail, first available Dec. 16, 2019, <https://www.amazon.com/OasisSpace-Bed-Rail-Prevention-Adjustable/dp/B0836DFY1J> (Year: 2019).\*

(Continued)

*Primary Examiner* — Brett Miller  
*Assistant Examiner* — Jessica M Gebhart

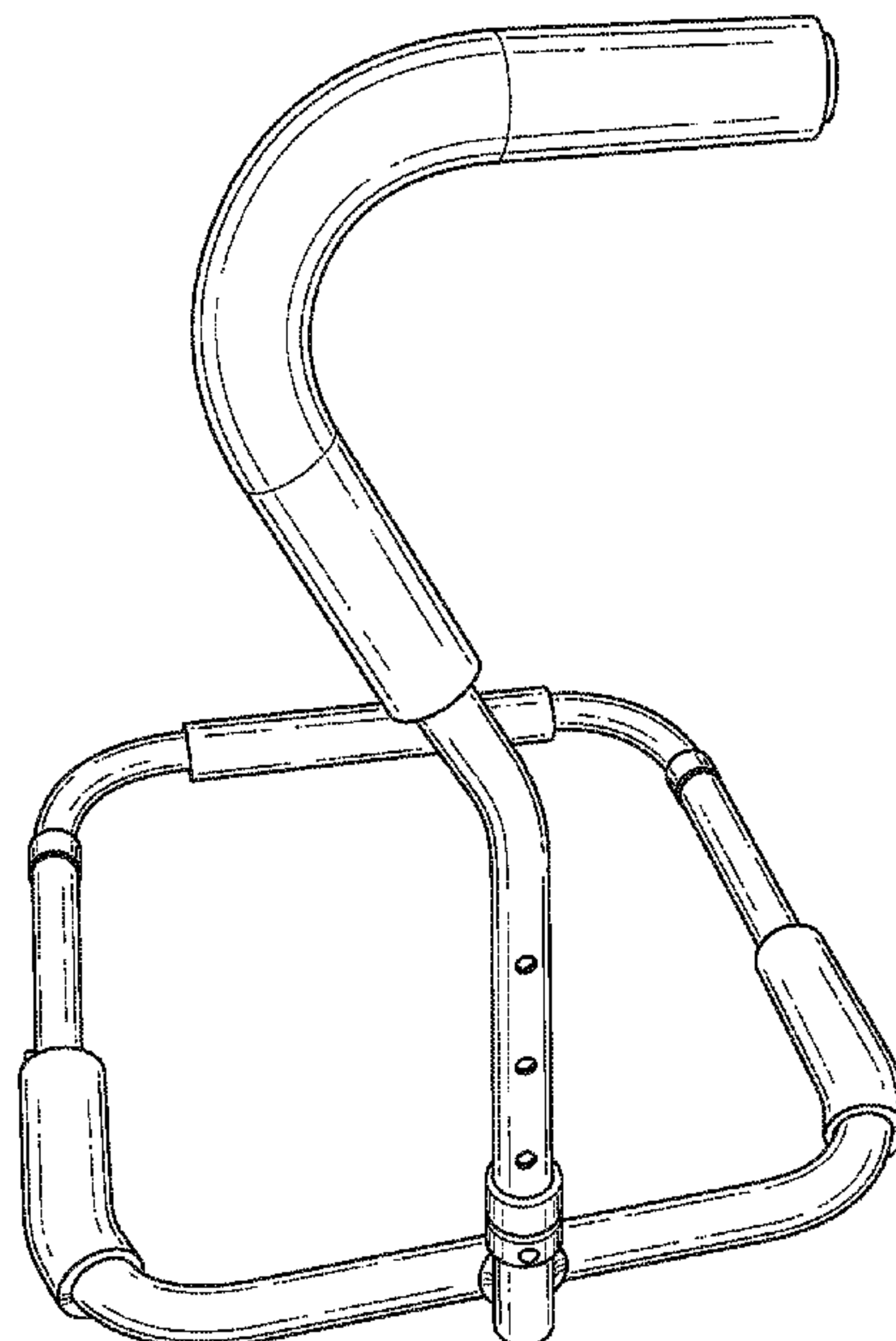
(57) **CLAIM**

The ornamental design for a bed rail cane, as shown and described.

**DESCRIPTION**

FIG. 1 is a perspective view of a bed rail cane with foam padding.  
FIG. 2 is a left-side view of a bed rail cane with foam padding.  
FIG. 3 is a right-side view of a bed rail cane with foam padding.  
FIG. 4 is a back view of a bed rail cane with foam padding.  
FIG. 5 is a front view of a bed rail cane with foam padding.  
FIG. 6 is a top view of a bed rail cane with foam padding; and,  
FIG. 7 is a bottom view of a bed rail cane with foam padding.

**1 Claim, 7 Drawing Sheets**



(56)

**References Cited**

U.S. PATENT DOCUMENTS

6,557,188 B1 \* 5/2003 Peterson ..... A61G 7/053  
5/81.1 R  
6,961,972 B2 \* 11/2005 Pendell ..... A61G 7/053  
5/425  
7,039,971 B2 \* 5/2006 Sebastien ..... A61G 7/053  
5/430  
D544,201 S 6/2007 Berl  
7,775,228 B2 \* 8/2010 Clark ..... A61H 3/02  
5/81.1 R  
D701,069 S 3/2014 Miller  
D718,968 S 12/2014 Zakel  
8,925,563 B2 1/2015 Ota et al.  
D798,641 S 10/2017 Miller  
D811,720 S 3/2018 Crowhurst  
D876,810 S 3/2020 AlGhazi et al.  
10,617,222 B1 4/2020 Flannery  
10,827,849 B1 11/2020 Flannery et al.  
D906,749 S 1/2021 Teng  
2004/0181877 A1 \* 9/2004 Miller ..... A47C 31/00  
5/622  
2004/0194216 A1 \* 10/2004 Pendell ..... A47C 21/08  
5/662

2005/0120485 A1 \* 6/2005 Sebastien ..... A61G 7/053  
5/662  
2007/0186348 A1 \* 8/2007 Banks ..... A61G 7/0533  
5/662  
2009/0126114 A1 \* 5/2009 Kral ..... A61G 7/053  
5/611  
2010/0078052 A1 \* 4/2010 Clark ..... A61G 7/1038  
135/65  
2014/0205979 A1 \* 7/2014 Carlson ..... A61H 3/00  
135/65  
2018/0318159 A1 \* 11/2018 Woolway ..... A63B 21/00

OTHER PUBLICATIONS

Amazon.com, site visited Apr. 19, 2022, Kavil Bed Rail, first available Aug. 13, 2020, <https://www.amazon.com/Elderly-Assist-Seniors-Devices-Mobility/dp/B08CVDP2DZ> (Year: 2020).\*  
Healthproductsforyou.com, site visited Apr. 18, 2022, BedCane Bed Rail, oldest review Feb. 28, 2021, <https://www.healthproductsforyou.com/p-bedcane-bed-rail.html> (Year: 2021).\*  
Web page <<https://www.rehabmart.com/product/pt-bed-cane-46823.html>>, Date of Retrieval Feb. 20, 2021.

\* cited by examiner

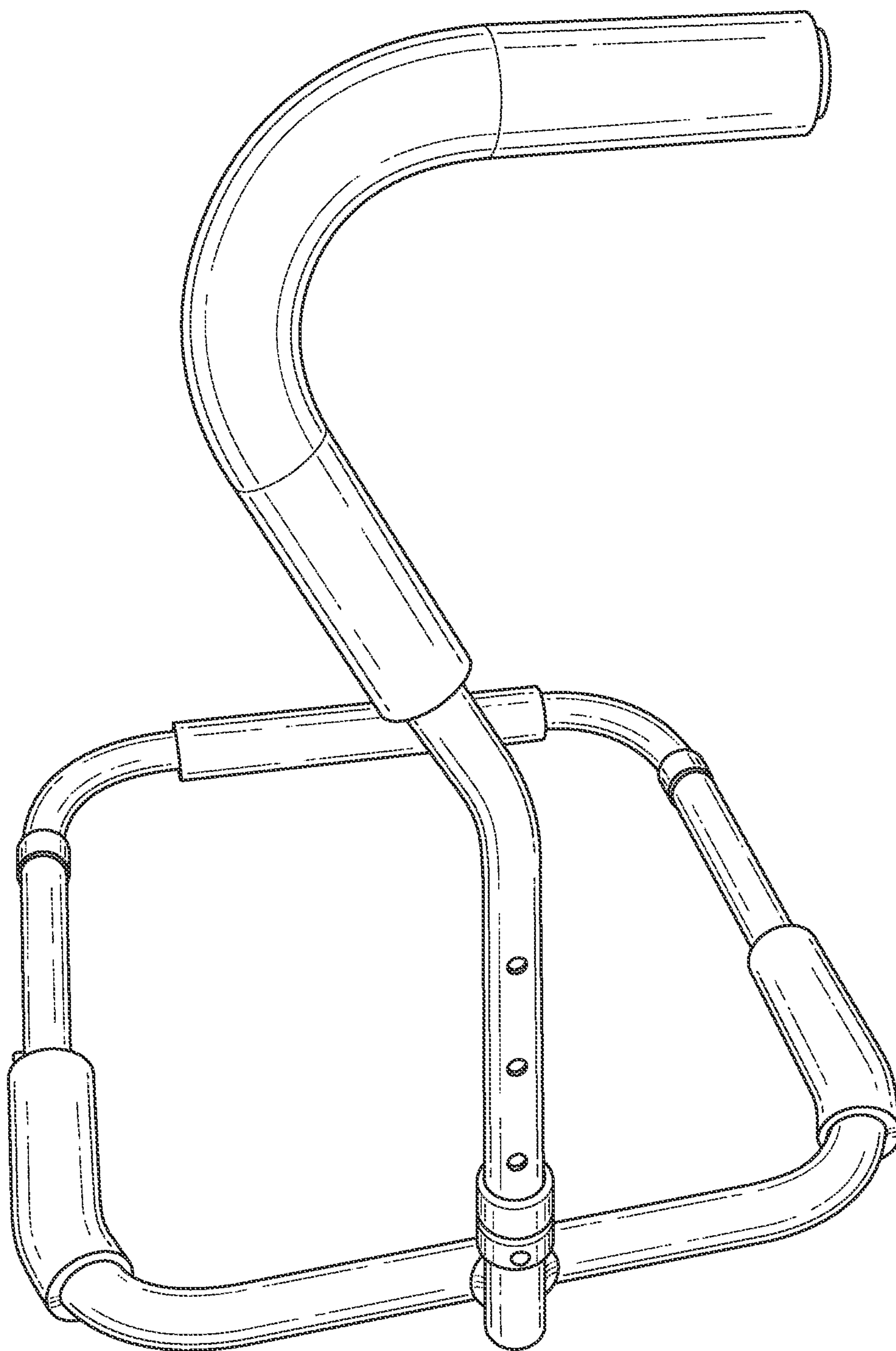


FIG. 1

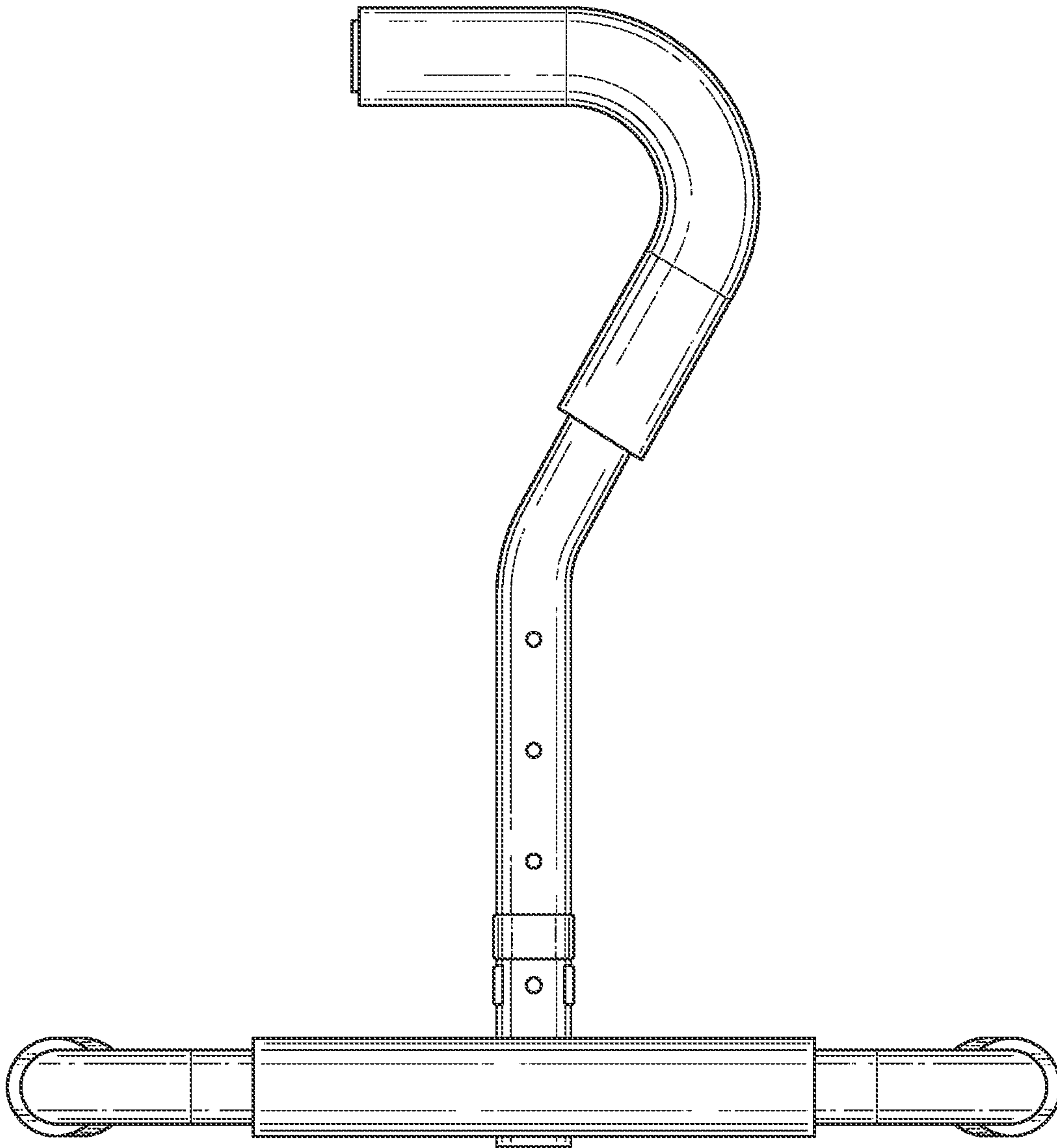


FIG. 2



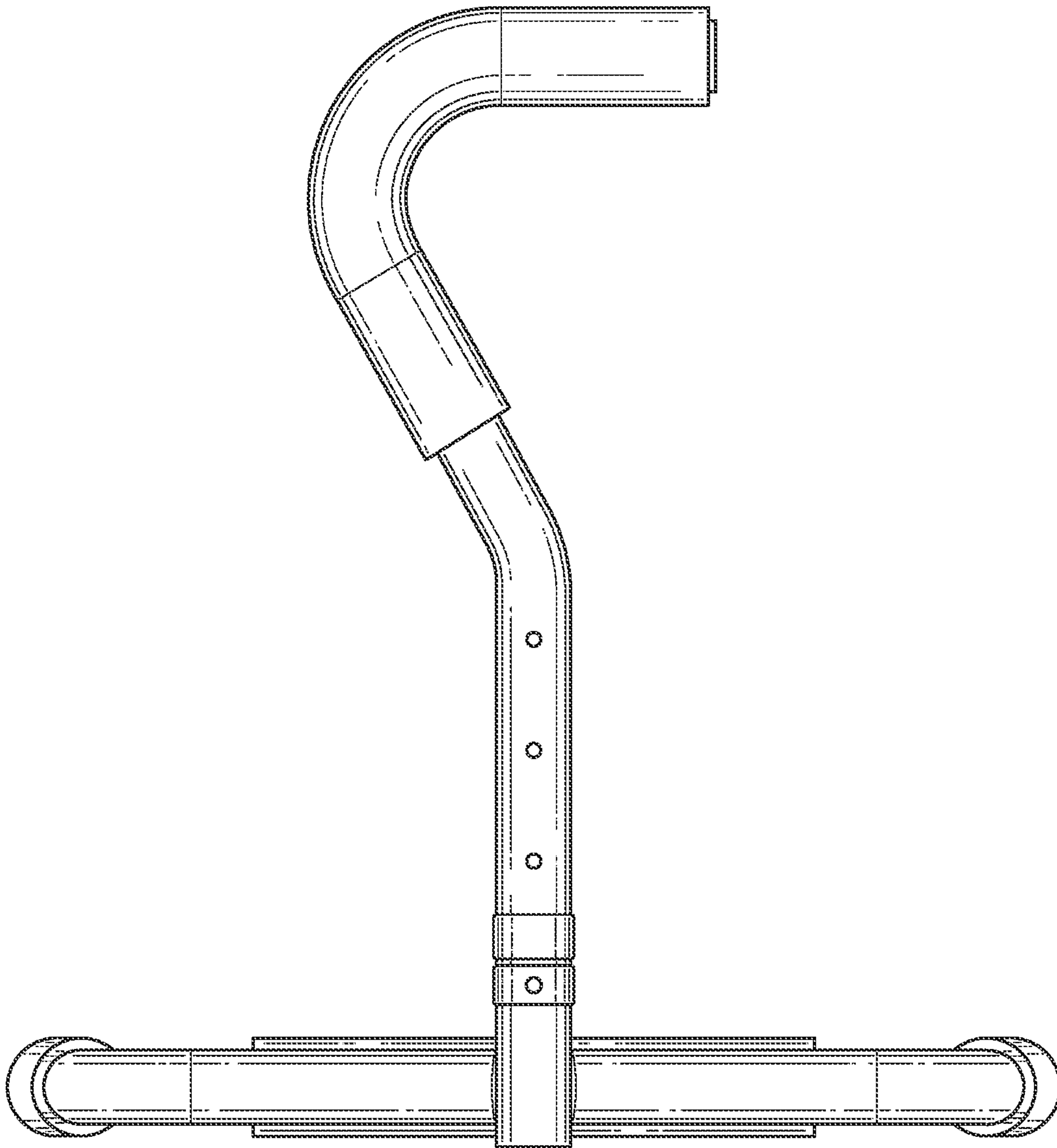


FIG. 3

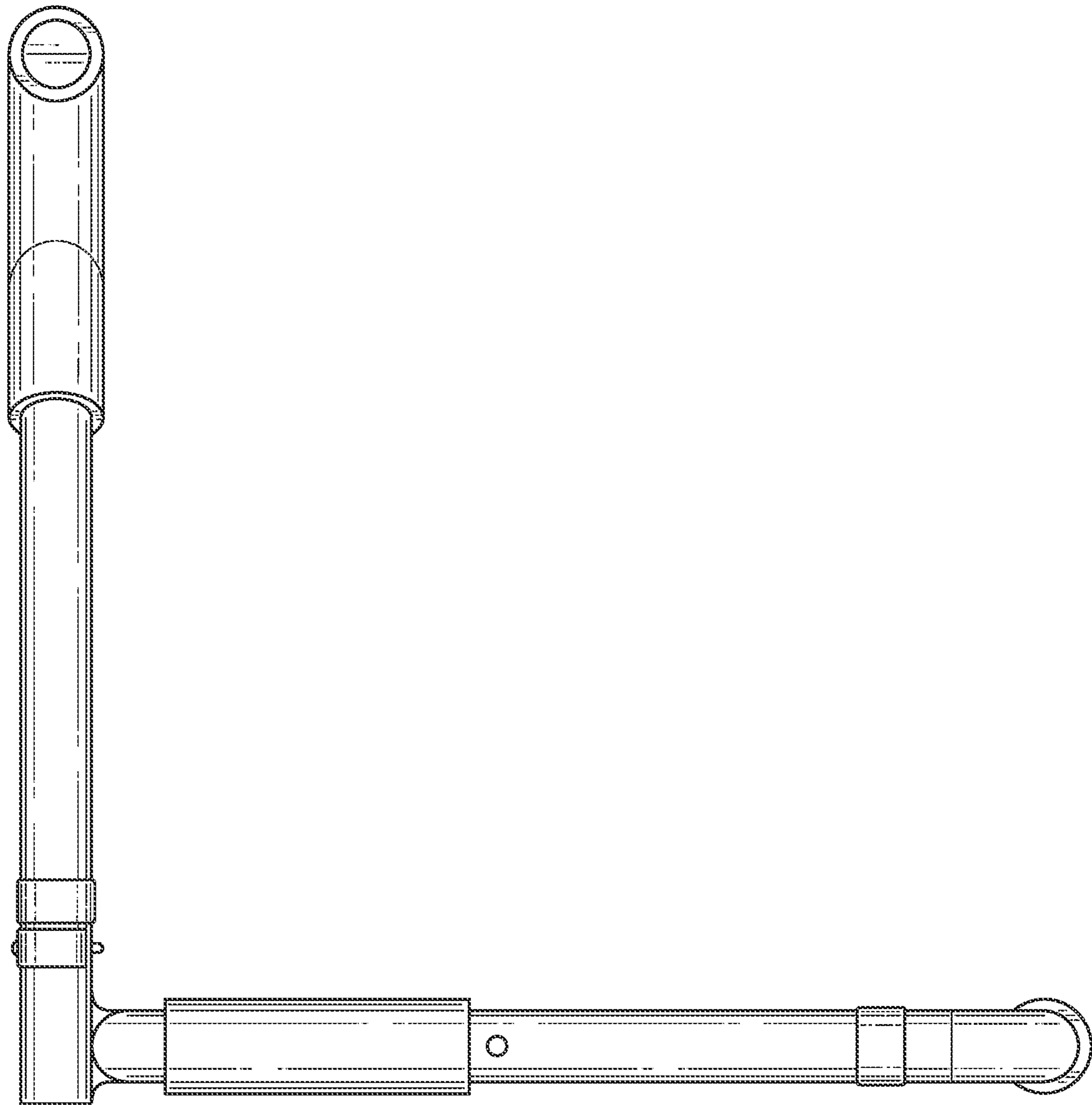


FIG. 4

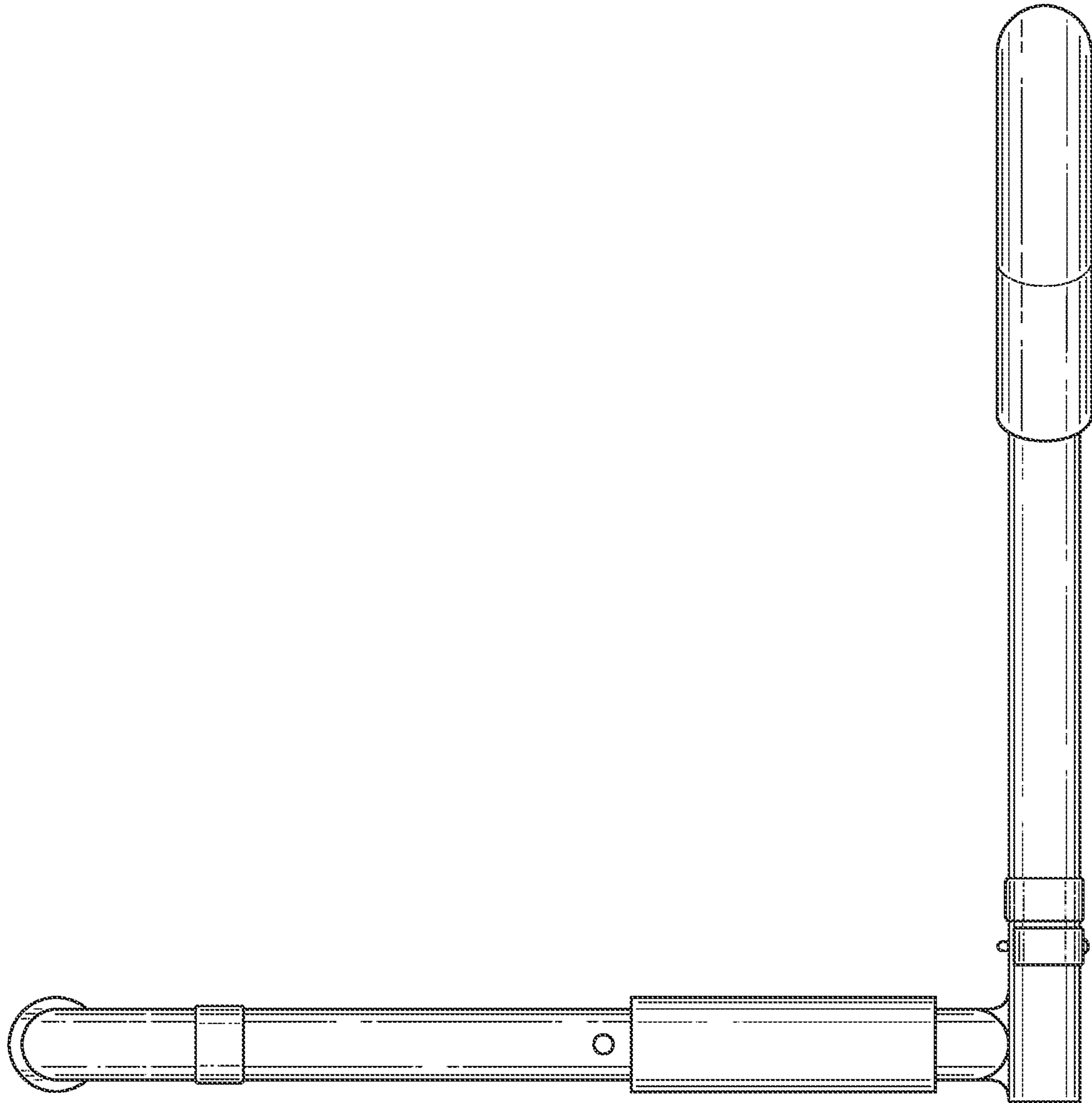


FIG. 5

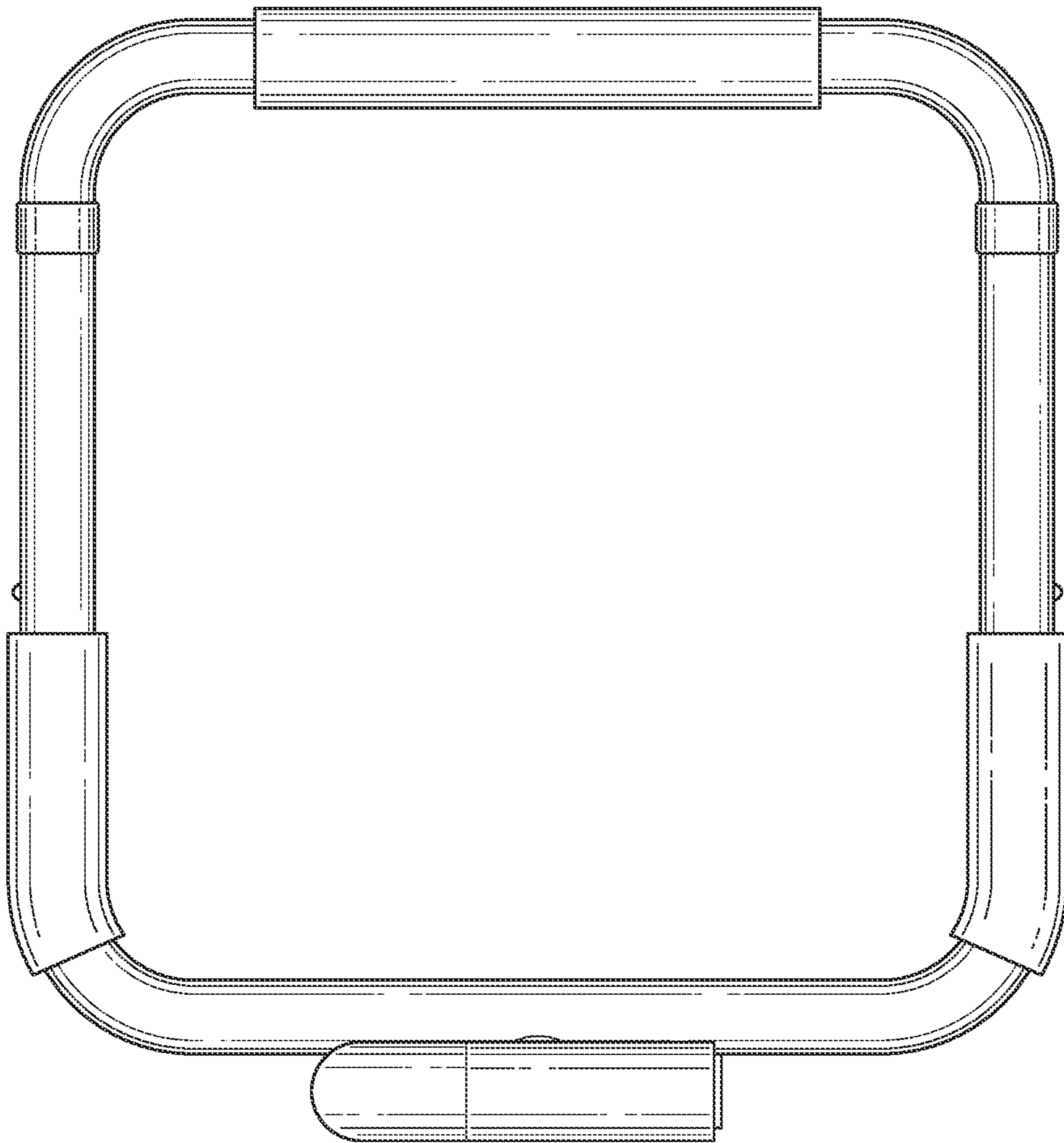


FIG. 6



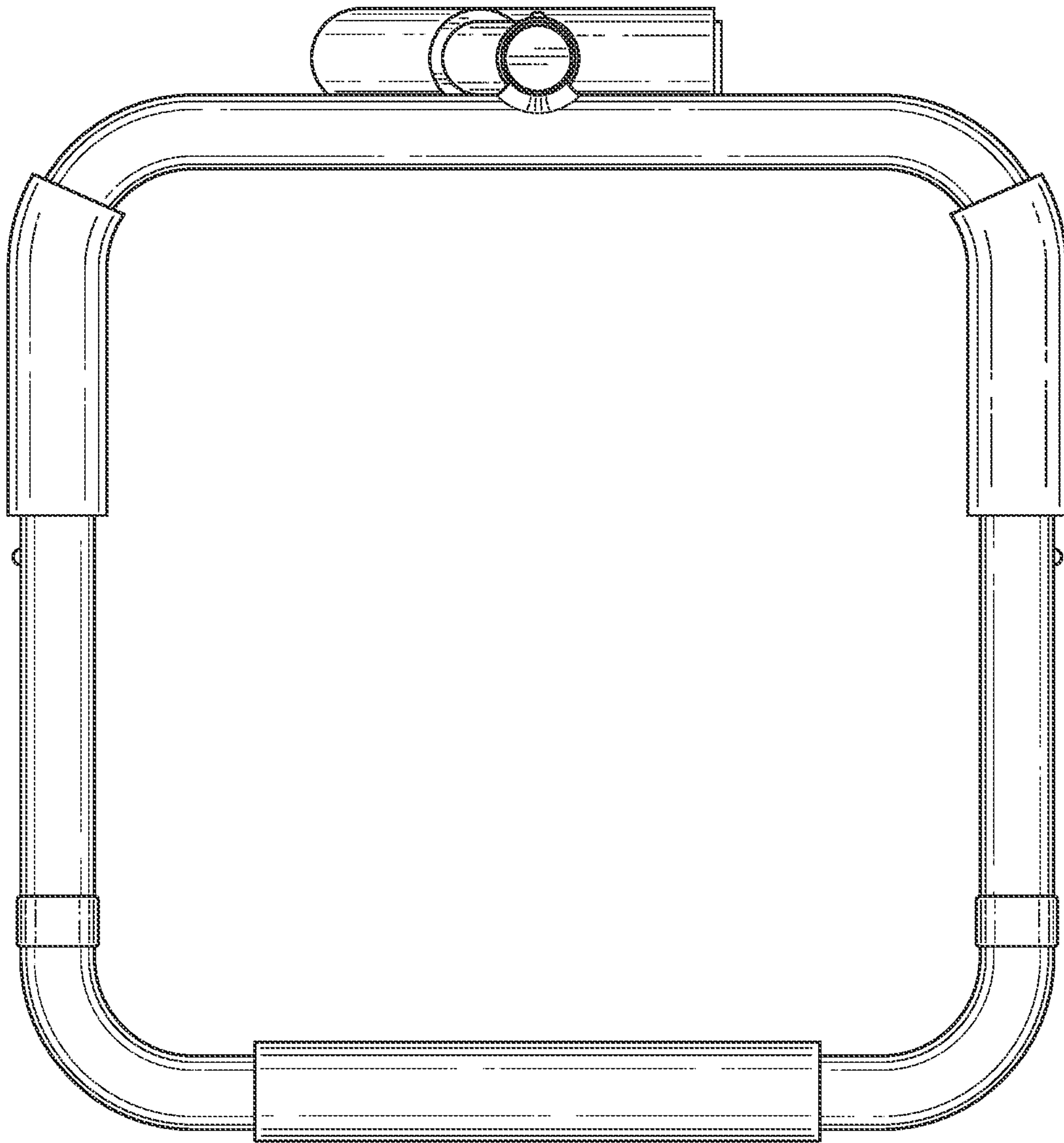


FIG. 7