



US00D961242S

(12) **United States Design Patent**  
**Hsu**

(10) **Patent No.:** **US D961,242 S**  
(45) **Date of Patent:** **\*\* Aug. 23, 2022**

(54) **UMBRELLA WITH A HANDLE HAVING A LAMP AND SOUND CAPABILITIES**

D668,860 S \* 10/2012 Halkias ..... D3/5  
D674,179 S \* 1/2013 Joo ..... D3/5  
D695,002 S \* 12/2013 Kato ..... D3/5

(71) Applicant: **Dong Guan Jia Sheng Lighting Technology Co., Ltd. China, Dong-Guna (CN)**

(Continued)

**FOREIGN PATENT DOCUMENTS**

(72) Inventor: **Kevin Hsu, Taichung (TW)**

CN 305916558 \* 7/2020

(73) Assignee: **Dong Guan Jia Sheng Lighting Technology Co., Ltd. China, Guang-Dong (CN)**

**OTHER PUBLICATIONS**

(\*\*) Term: **15 Years**

7TECH Bluetooth Music Umbrella Automatic Open and Close . . . , first available Jul. 6, 2018, amazon.com [online], [site visited Nov. 15, 2021], Available at URL: <https://www.amazon.com/7TECH-Bluetooth-Umbrella-Automatic-Folding/dp/B07C5HCK7T> (Year: 2018).\*

(21) Appl. No.: **29/735,598**

(Continued)

(22) Filed: **May 22, 2020**

(51) **LOC (13) Cl.** ..... **03-03**

*Primary Examiner* — Michelle E. Wilson

(52) **U.S. Cl.**

*Assistant Examiner* — Caitlin A Laverty

USPC ..... **D3/5**

(74) *Attorney, Agent, or Firm* — Alan D. Kamrath; Karin L. Williams; Mayer & Williams PC

(58) **Field of Classification Search**

USPC ..... D3/5-17; D8/303; D22/137-142  
CPC .... A45B 3/02; A45B 3/04; A45B 9/02; A45B 11/00; A45B 15/00; A45B 17/00; A45B 19/00; A45B 19/04; A45B 19/08; A45B 19/10; A45B 21/00; A45B 2200/1081; A45B 23/00; A45B 2023/0012; A45B 2023/0005; A45B 2023/0037; A45B 2023/0043; A45B 2023/0056; A45B 2023/0068; A45B 2023/0075; A45B 25/00; A45B 25/02; A45B 25/06; A45B 25/08; A45B 25/10; A45B 25/14; A45B 25/18; A45B 25/20; A45B 25/22; A45B 25/143; A45B 2025/003

See application file for complete search history.

(56) **References Cited**

**U.S. PATENT DOCUMENTS**

D439,400 S \* 3/2001 Gobel ..... D3/5  
D467,066 S \* 12/2002 You ..... D3/5  
D668,859 S \* 10/2012 Halkias ..... D3/5

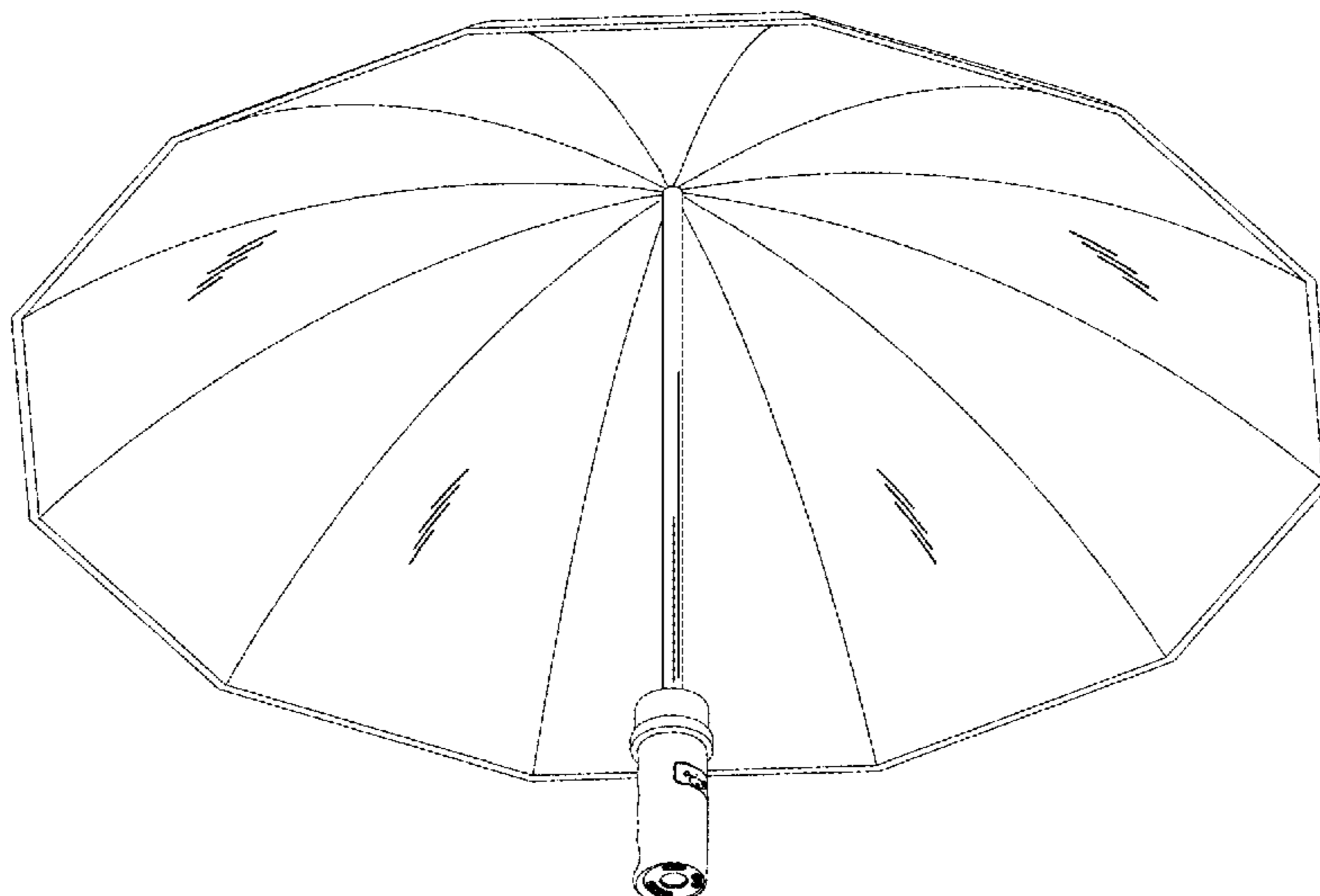
**CLAIM**

(57) The ornamental design for an umbrella with a handle having a lamp and sound capabilities, as shown and described.

**DESCRIPTION**

FIG. 1 is a perspective view of an umbrella with a handle having a lamp and sound capabilities showing my design. FIG. 2 is a front elevational view thereof. FIG. 3 is a rear elevational view thereof. FIG. 4 is a left side elevational view thereof. FIG. 5 is a right side elevational view thereof. FIG. 6 is a top plan view thereof. FIG. 7 is a bottom plan view thereof, including a partially enlarged view; and, FIG. 8 is another perspective view thereof. The broken lines in the drawings show portions of the article that form no part of the claimed design.

**1 Claim, 8 Drawing Sheets**



(56)

**References Cited**

U.S. PATENT DOCUMENTS

9,989,242 B1 \* 6/2018 Pradas ..... F21V 33/0004  
D870,449 S \* 12/2019 Zhou ..... D3/5  
11,137,136 B1 \* 10/2021 Hsu ..... F21V 33/0056  
2005/0172986 A1 \* 8/2005 Lu ..... A45B 3/04  
135/33.2  
2006/0032523 A1 \* 2/2006 Chou ..... A45B 19/04  
135/24  
2006/0039133 A1 \* 2/2006 Wu ..... A45B 3/04  
362/102  
2018/0064219 A1 \* 3/2018 Cho ..... A45B 25/02

OTHER PUBLICATIONS

54 inches 12 panels waterproof full automatic Folding umbrella, unknown first available date, alibaba.com [online], [site visited Nov. 15, 2021], Available at URL: [https://www.alibaba.com/product-detail/54-inches-12-panels-waterproof-full\\_1600234644116.html](https://www.alibaba.com/product-detail/54-inches-12-panels-waterproof-full_1600234644116.html) (Year: 2021).\*

Stromberg 42" Auto Open/Close Bluetooth Audio Tech Umbrella, unknown first available date, promotique.com [online], [site visited Nov. 15, 2021], Available at URL: <https://www.promotique.com/product/stromberg-42-auto-open-close-bluetooth-audio-tech-umbrella/P2Y11764W> (Year: 2021).\*

\* cited by examiner

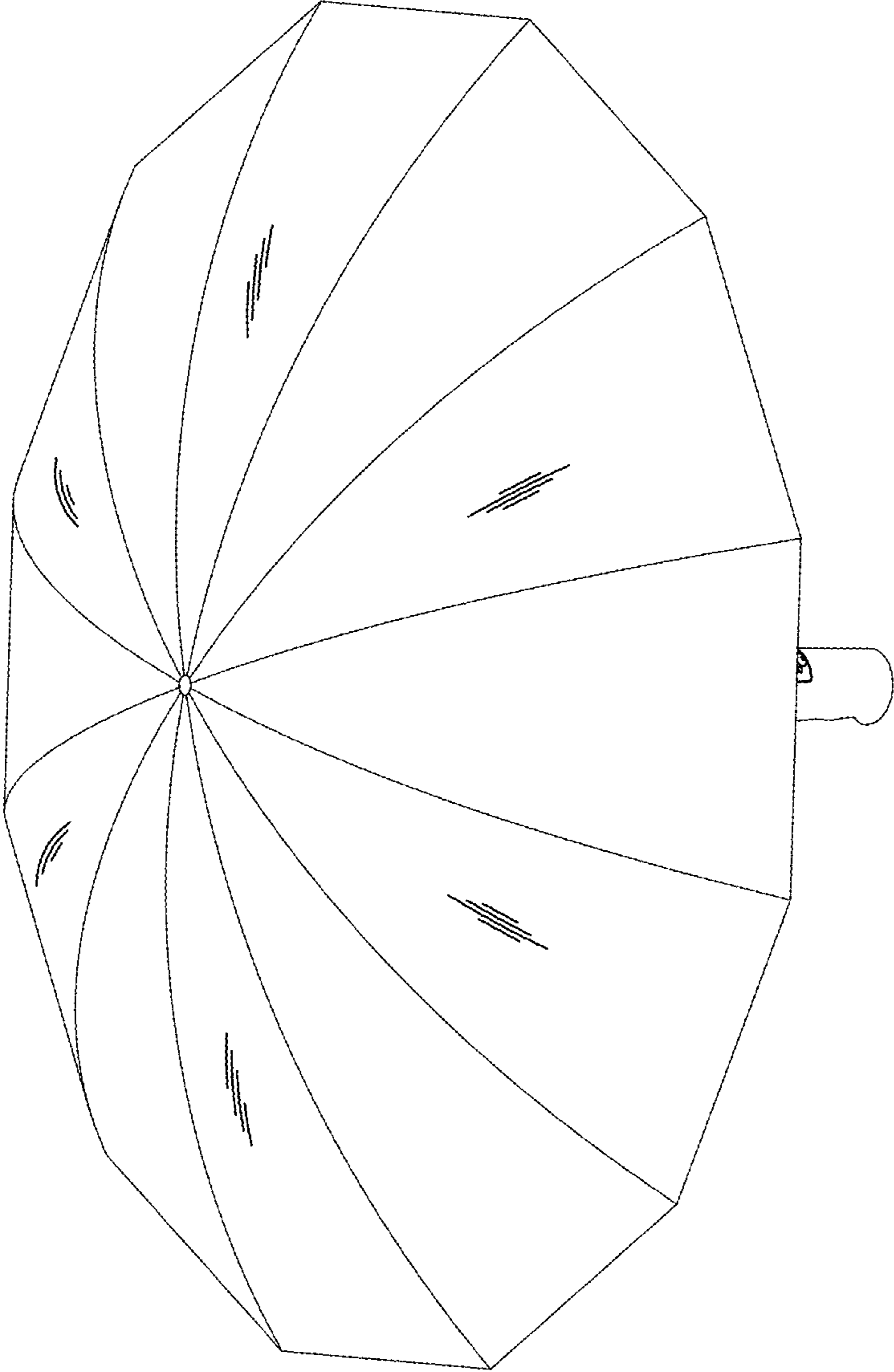


FIG. 1

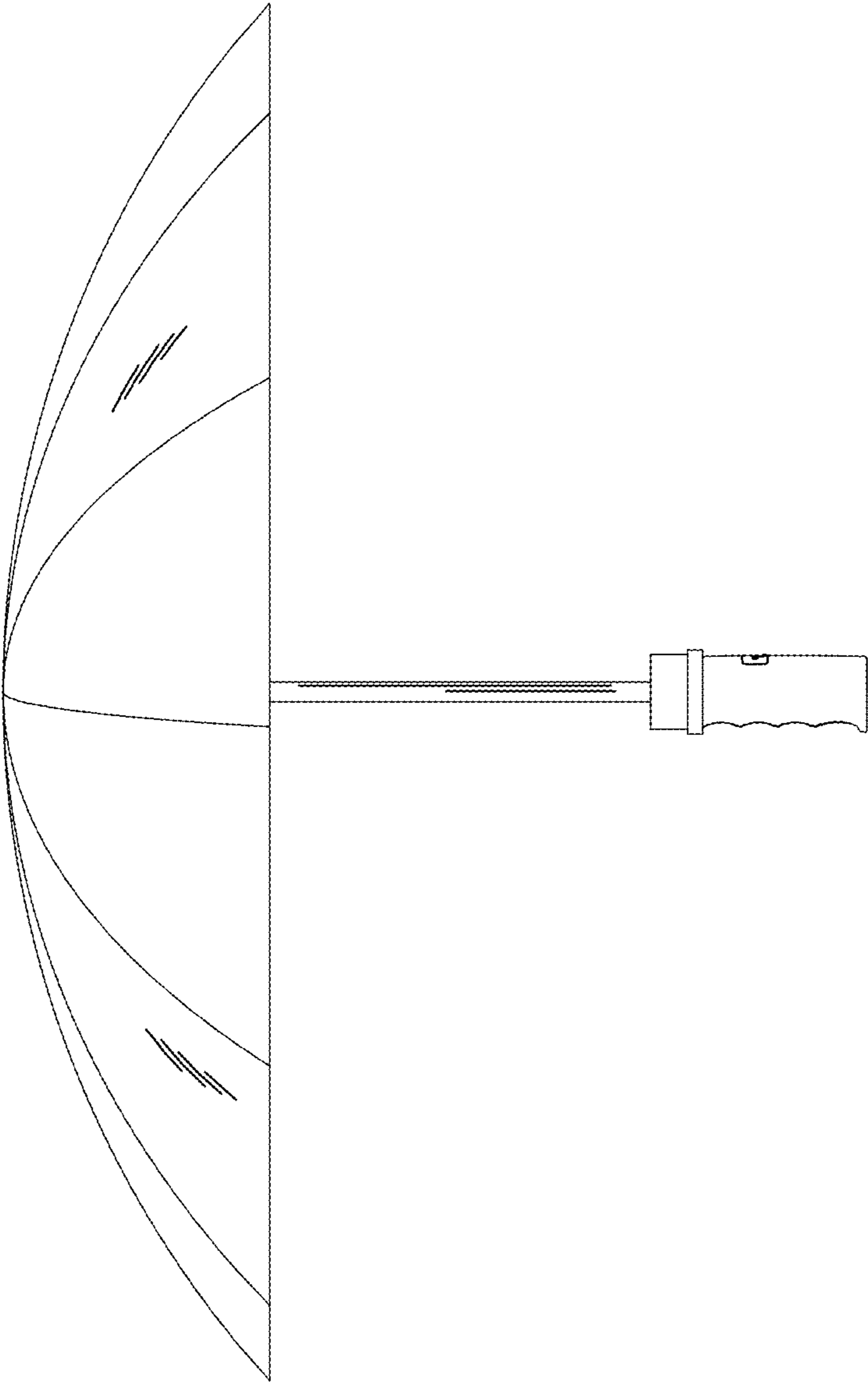


FIG. 2

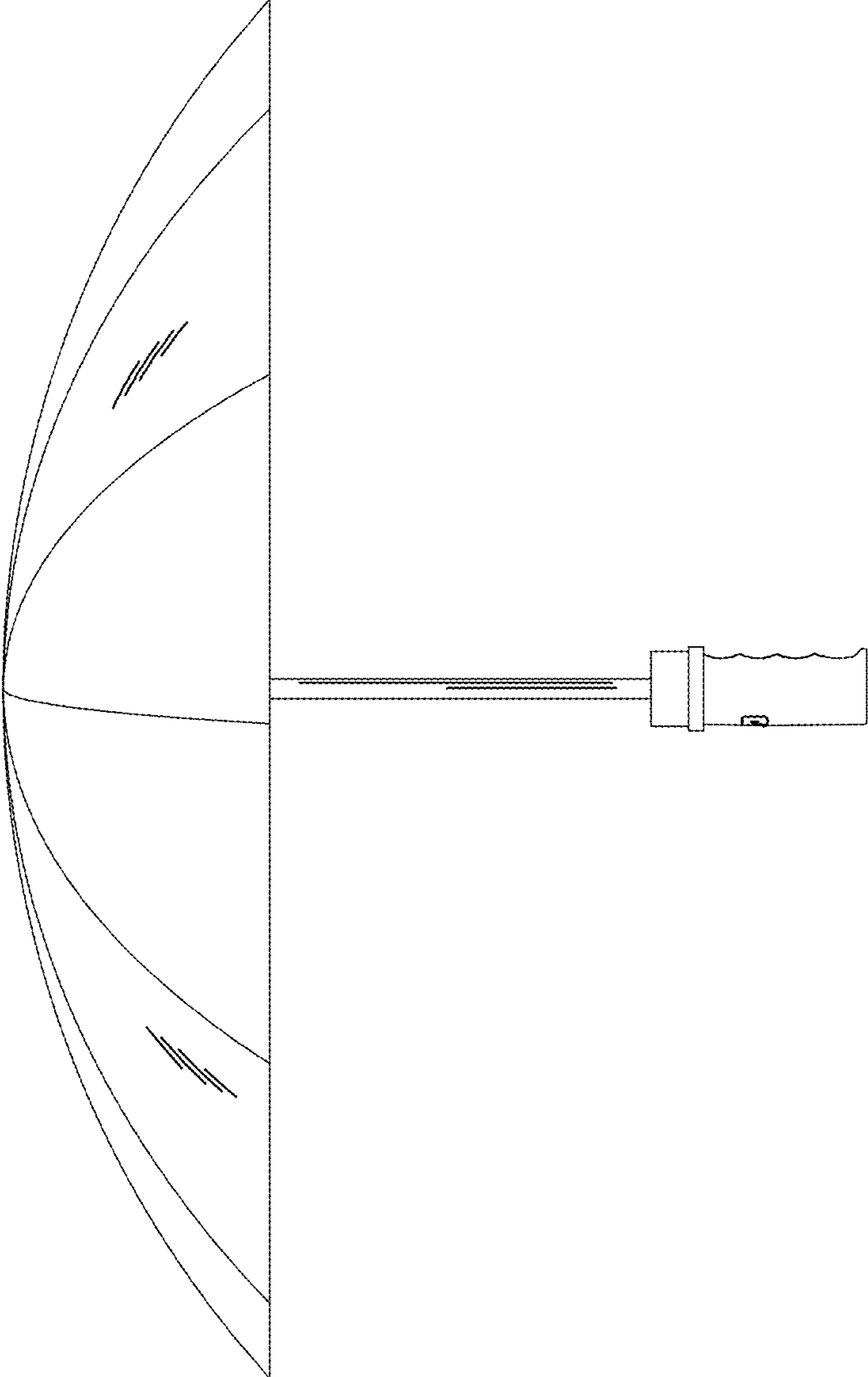


FIG. 3

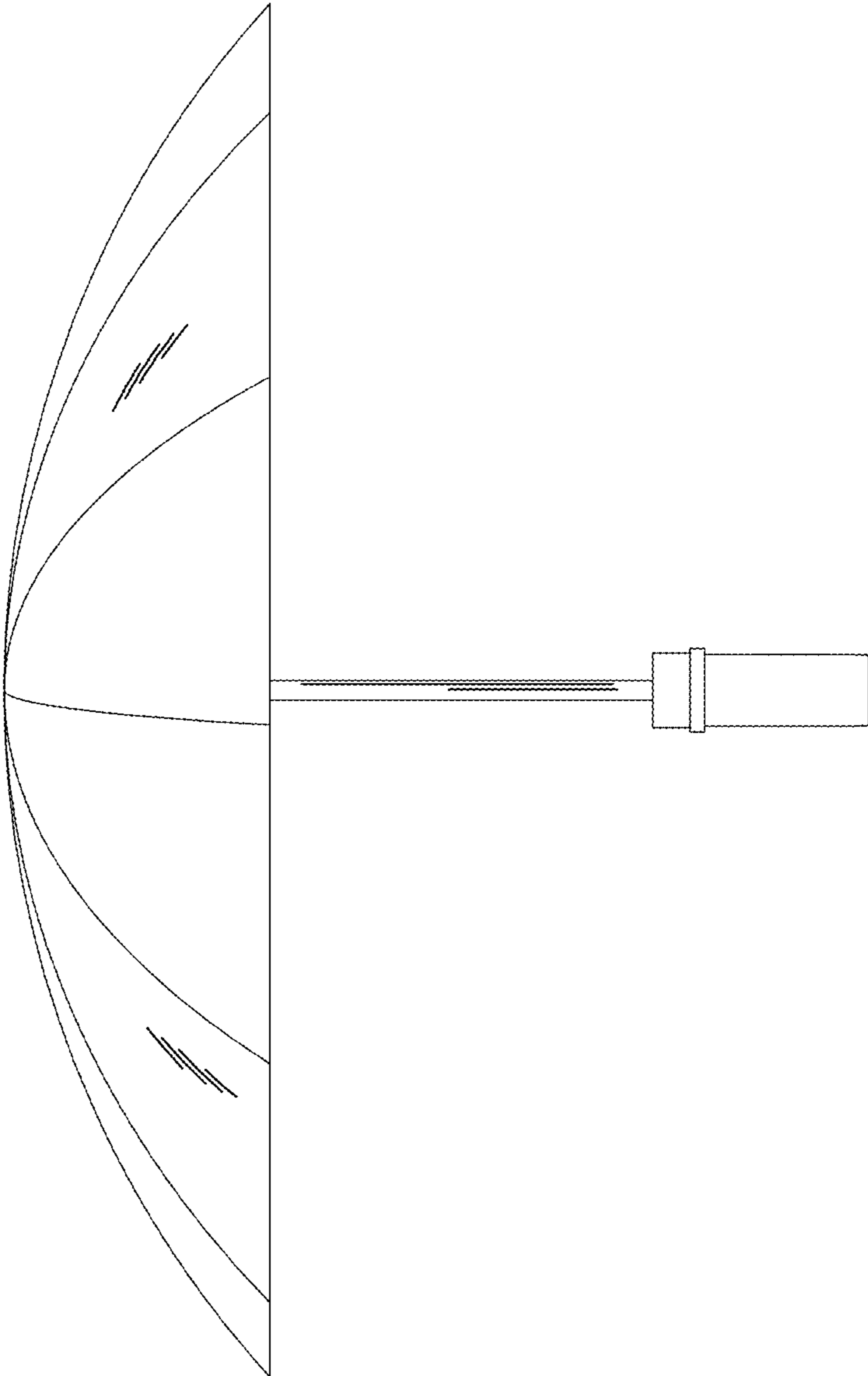


FIG.4

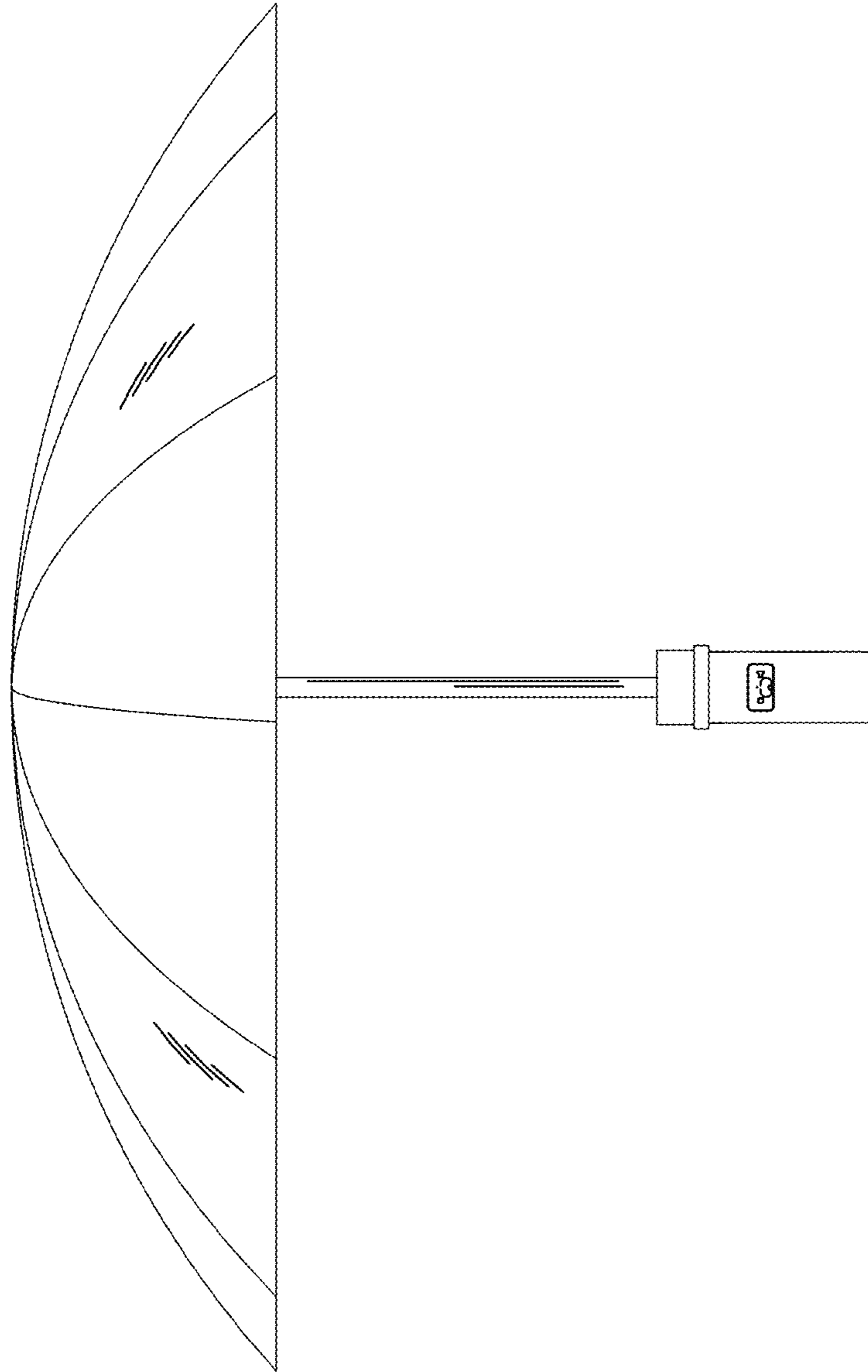


FIG. 5

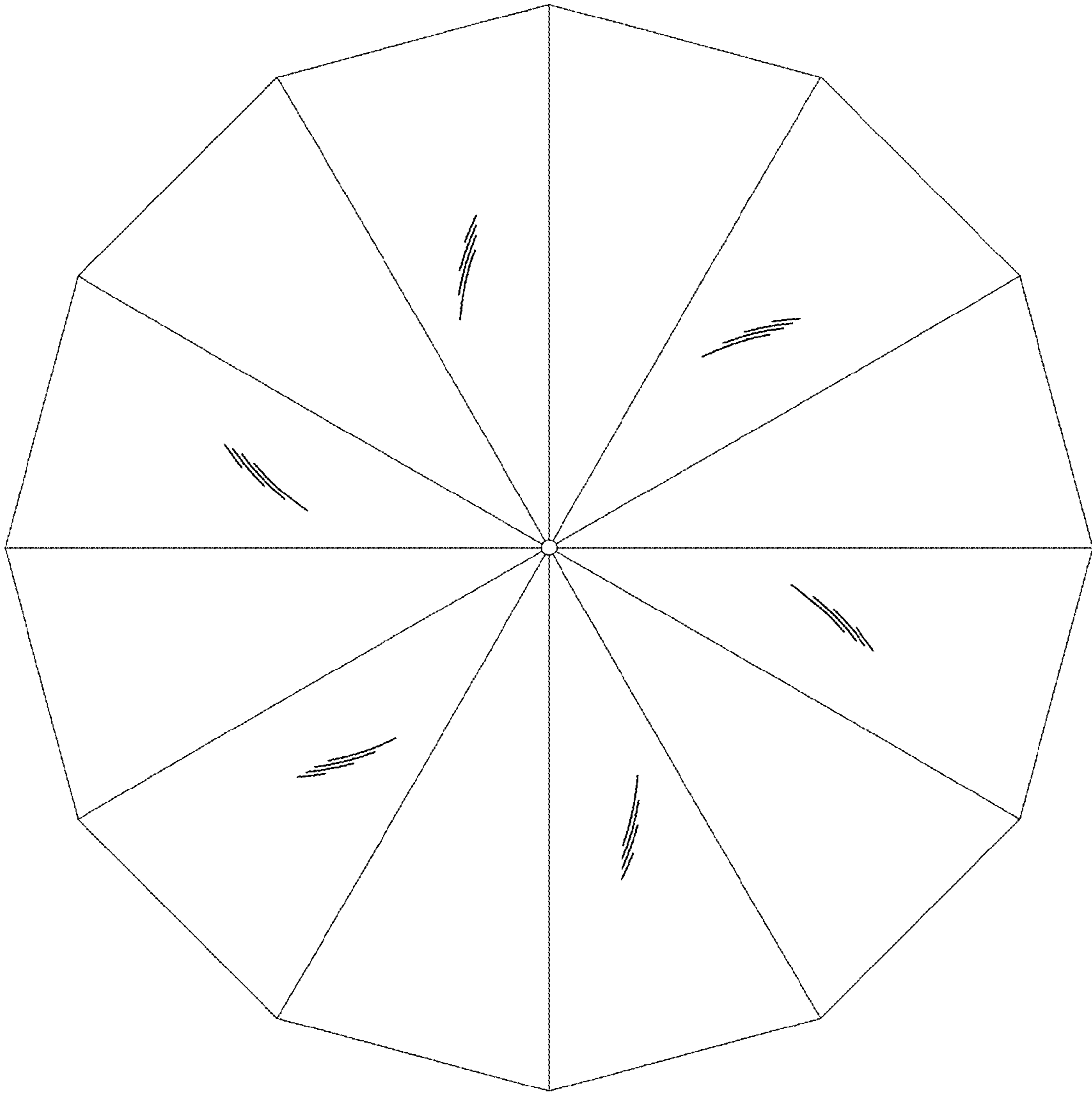


FIG.6



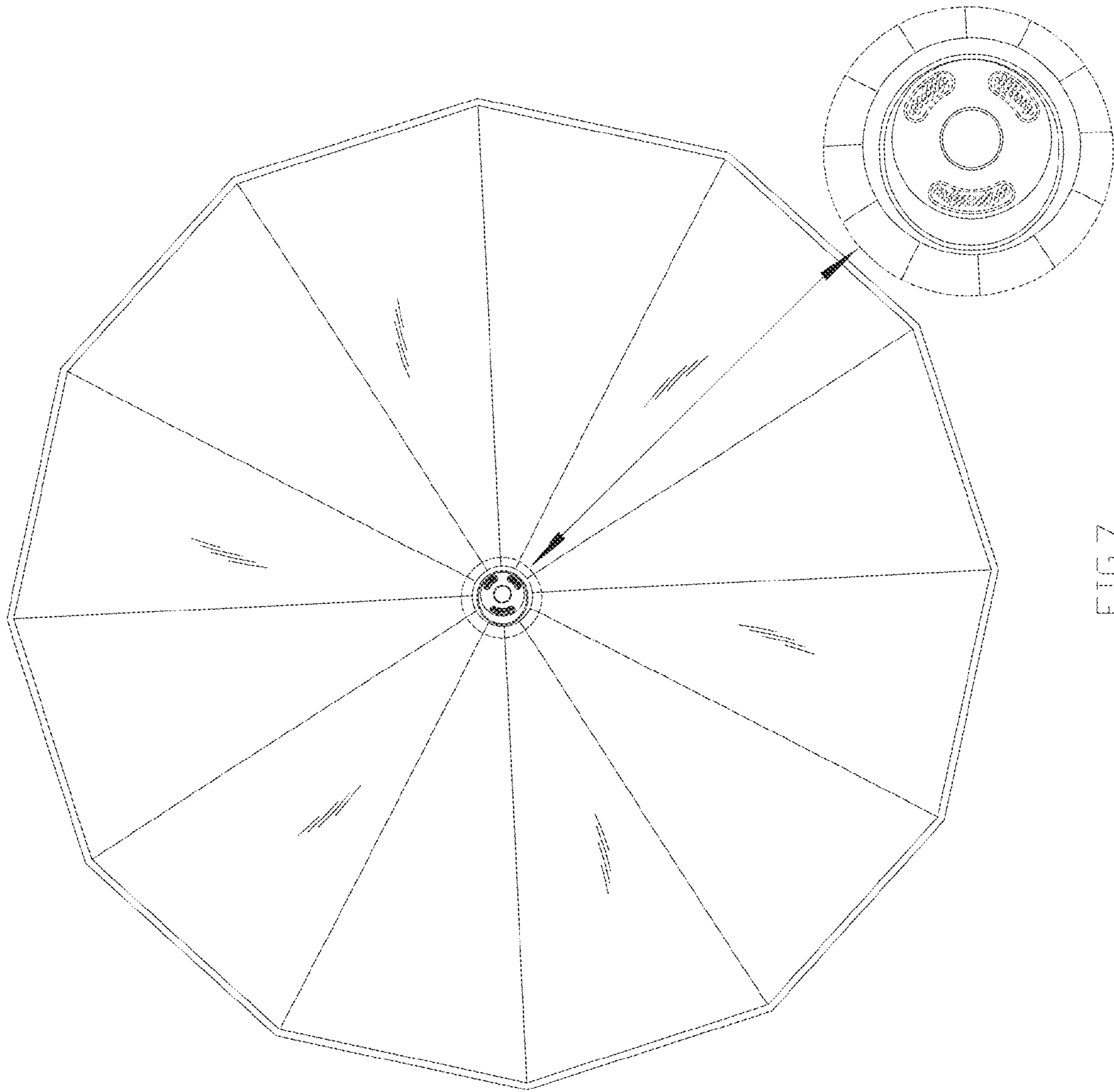


FIG. 7

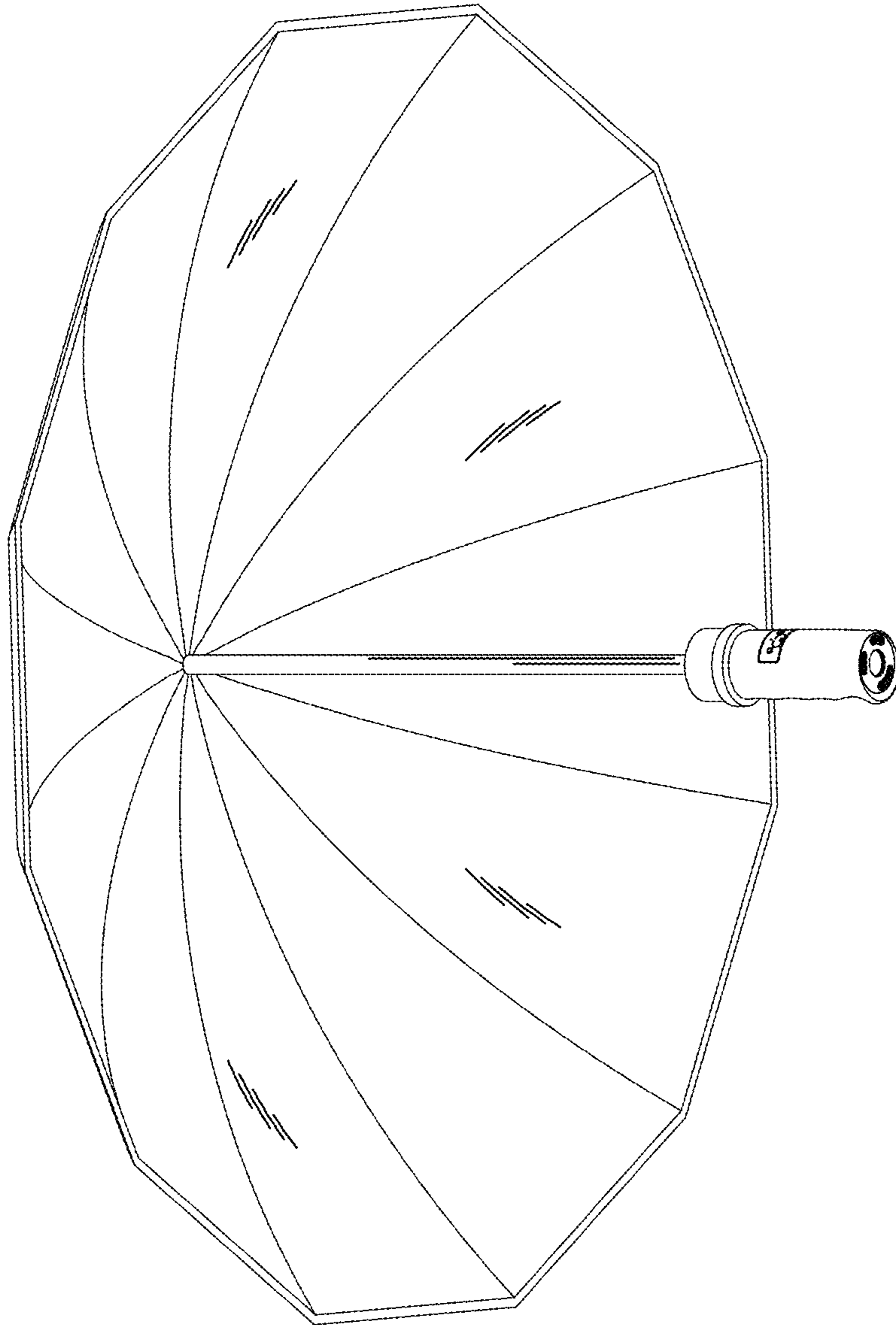


FIG.8