



US00D961224S

(12) **United States Design Patent**
Han

(10) **Patent No.:** **US D961,224 S**

(45) **Date of Patent:** **** Aug. 23, 2022**

(54) **SHOE**

(71) Applicant: **NIKE, Inc.**, Beaverton, OR (US)

(72) Inventor: **Charles S. Han**, Portland, OR (US)

(73) Assignee: **NIKE, Inc.**, Beaverton, OR (US)

(**) Term: **15 Years**

(21) Appl. No.: **29/795,333**

(22) Filed: **Jun. 17, 2021**

(51) **LOC (13) Cl.** **02-04**

(52) **U.S. Cl.**

USPC **D2/972**; D2/947

(58) **Field of Classification Search**

USPC D2/896, 900, 902, 904, 906–908,

D2/916–924, 925–945, 946–962, 969–979

CPC A43B 1/00; A43B 1/02; A43B 1/04; A43B

3/00; A43B 3/02; A43B 3/06; A43B 3/10;

A43B 3/12; A43B 3/14; A43B 5/00;

A43B 5/001; A43B 5/002; A43B 5/008;

A43B 5/06; A43B 5/10; A43B 5/12;

A43B 23/00; A43B 23/02; A43B 23/04

See application file for complete search history.

(56) **References Cited**

U.S. PATENT DOCUMENTS

D327,161 S	6/1992	Hatfield	
D329,732 S	9/1992	Molet et al.	
D355,527 S	2/1995	Yoshikawa et al.	
D441,175 S *	5/2001	Ritter	D2/907
D568,602 S *	5/2008	Henderson	D2/972
D605,396 S *	12/2009	Henderson	D2/972
D609,450 S *	2/2010	Dombrow	D2/972
D609,451 S *	2/2010	Dombrow	D2/972
D625,097 S *	10/2010	Portzline	D2/972
D746,035 S *	12/2015	Bell	D2/972
D752,330 S *	3/2016	O'Connor	D2/972
D770,752 S *	11/2016	McMillan	D2/972

D788,431 S *	6/2017	Chang	D2/969
D789,672 S *	6/2017	Lee	D2/972
D790,833 S *	7/2017	DeAlmeida	D2/972
D790,834 S *	7/2017	Roulo	D2/972
D794,287 S *	8/2017	Raasch	D2/947
D796,826 S *	9/2017	Hardman	D2/972
D799,187 S *	10/2017	Miner	D2/972

(Continued)

OTHER PUBLICATIONS

Nike React Phantom Run Flyknit, Nike.com, [online], [site visited May 12, 2022]. <URL: <https://www.nike.com/t/react-phantom-run-flyknit-2-mens-running-shoes-7s5XTG/DQ7647-001>> (Year: 2022).*

(Continued)

Primary Examiner — Jonathan J Han

(74) *Attorney, Agent, or Firm* — Banner & Witcoff, Ltd.

(57) **CLAIM**

The ornamental design for a shoe, as shown and described.

DESCRIPTION

FIG. 1 is a side view of a shoe showing my new design;

FIG. 2 is a rear perspective view thereof;

FIG. 3 is a rear view thereof;

FIG. 4 is an opposite side rear perspective view thereof;

FIG. 5 is an opposite side view thereof;

FIG. 6 is a side view of a shoe showing an alternate embodiment of my new design;

FIG. 7 is a rear perspective view thereof;

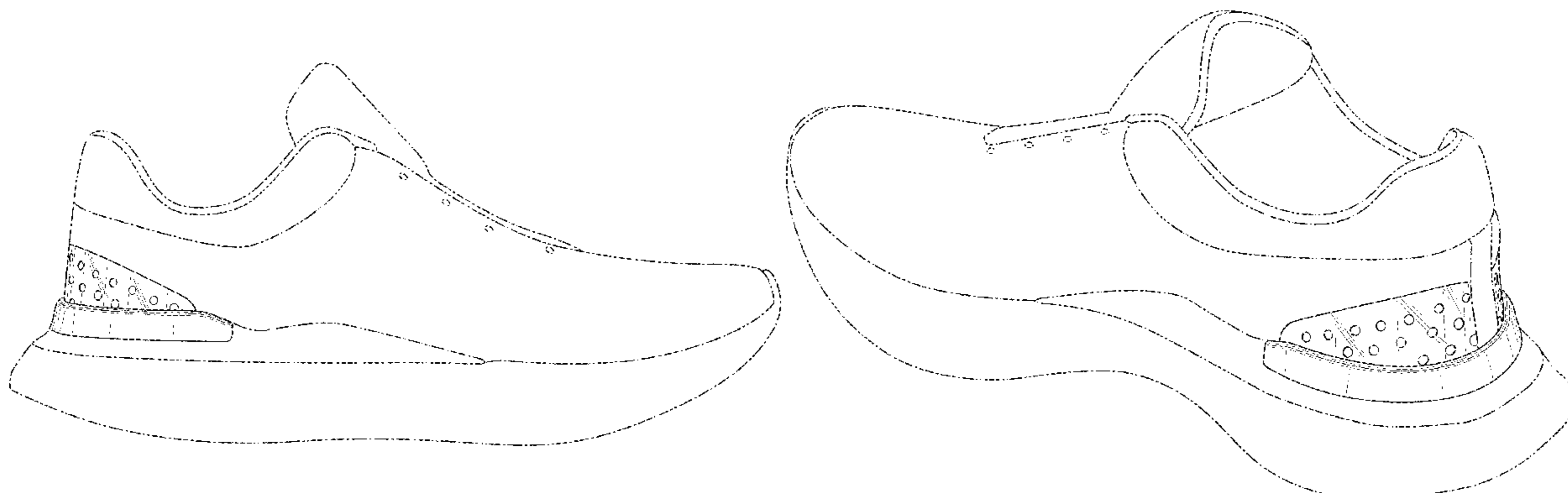
FIG. 8 is a rear view thereof;

FIG. 9 is an opposite side rear perspective view thereof; and,

FIG. 10 is an opposite side view thereof.

The broken lines immediately adjacent to the shaded area define the bounds of the claimed design and form no part thereof. The broken lines depicting the remainder of the shoe form no part of the claimed design.

1 Claim, 10 Drawing Sheets



(56)

References Cited

U.S. PATENT DOCUMENTS

D805,750	S	*	12/2017	Winfield	D2/972
D814,779	S	*	4/2018	Goto	D2/972
D816,972	S		5/2018	Pauk		
D819,311	S		6/2018	Jury et al.		
D838,966	S	*	1/2019	Pauk	D2/972
D851,878	S		6/2019	Pauk		
D851,889	S	*	6/2019	Dobson	D2/972
D853,099	S	*	7/2019	Parrett	D2/958
D858,054	S		9/2019	McMillan		
D858,055	S	*	9/2019	Kasprzak	D2/951
D858,073	S	*	9/2019	McMillan	D2/972
D869,832	S		12/2019	Seamarks		
D874,123	S	*	2/2020	Cin	D2/972
D876,797	S	*	3/2020	Aden	D2/972
D876,798	S	*	3/2020	Aden	D2/947
D879,415	S		3/2020	Sassi		
D888,401	S	*	6/2020	Pauk	D2/972
D891,744	S		8/2020	Han		
D891,745	S		8/2020	Han		
D892,479	S		8/2020	Han		
D894,584	S	*	9/2020	de Montgolfier	D2/972
D895,256	S	*	9/2020	Hernandez	D2/972
D896,496	S	*	9/2020	Hernandez	D2/972
D897,655	S	*	10/2020	Bove	D2/972
D902,541	S		11/2020	Popovic		
D902,542	S		11/2020	Popovic		
D905,394	S		12/2020	Schultze		

D909,022	S	*	2/2021	Patt	D2/907
D910,986	S		2/2021	Durflinger		
D915,055	S	*	4/2021	Herath	D2/972
D918,561	S	*	5/2021	Rasmussen	D2/972
D922,051	S	*	6/2021	McMillan	D2/969
D943,965	S	*	2/2022	Han	D2/972

OTHER PUBLICATIONS

Nike Footwear Catalog, 2009 Fall Sport Performance Footwear, p. 59, published Nov. 2008, Nike, Inc., USA.

Nike Footwear Catalog, 2011 Spring Women's Footwear Nike Sportswear, p. 21, published May 2010, Nike, Inc., USA.

Nike Footwear Catalog, 2014 Fall Sporting Goods Footwear Best, p. 99, published Feb. 2013, Nike, Inc., USA.

Nike Footwear Catalog, 2016 Fall Lacrosse Specialty Footwear Apparel Equipment NA, p. 44, published Nov. 2015, Nike, Inc., USA.

Nike Footwear Catalog, 2016 Spring Strategic Sporting Goods Footwear NA, p. 5, published Nov. 2015, Nike, Inc., USA.

Nike Footwear Catalog, 2018 Summer Running, p. 61, published date unknown, but prior to the filing date of the present application, Nike, Inc., USA.

"Nike React Infinity Run Flyknit 2 Review"; JackRabbit; retrieved Jun. 9, 2021; published Jan. 12, 2021; URL: <<https://www.jackrabbit.com/info/blog/nike-react-infinity-run-flyknit-2-review.html>>.

* cited by examiner

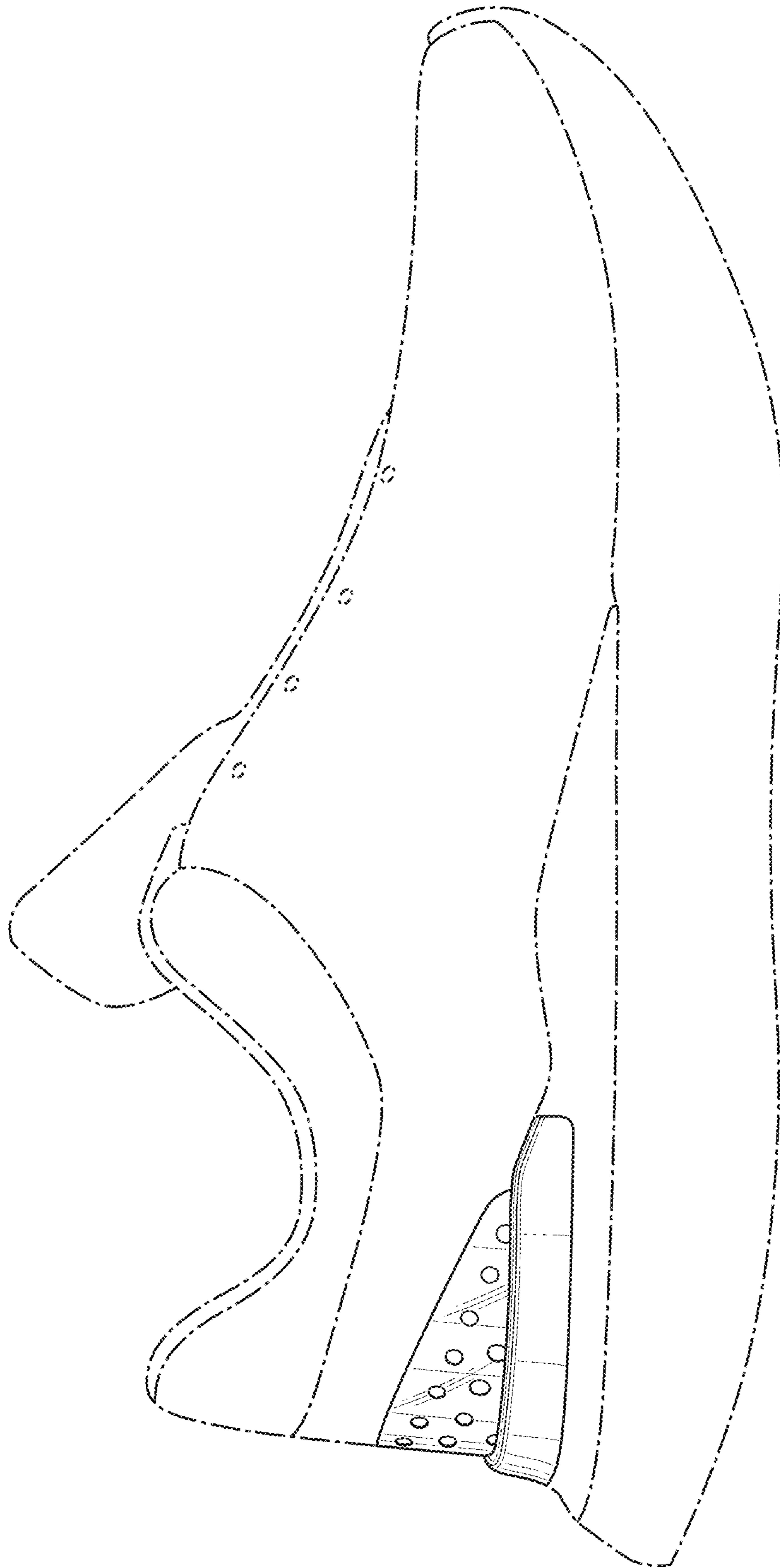


FIG. 1

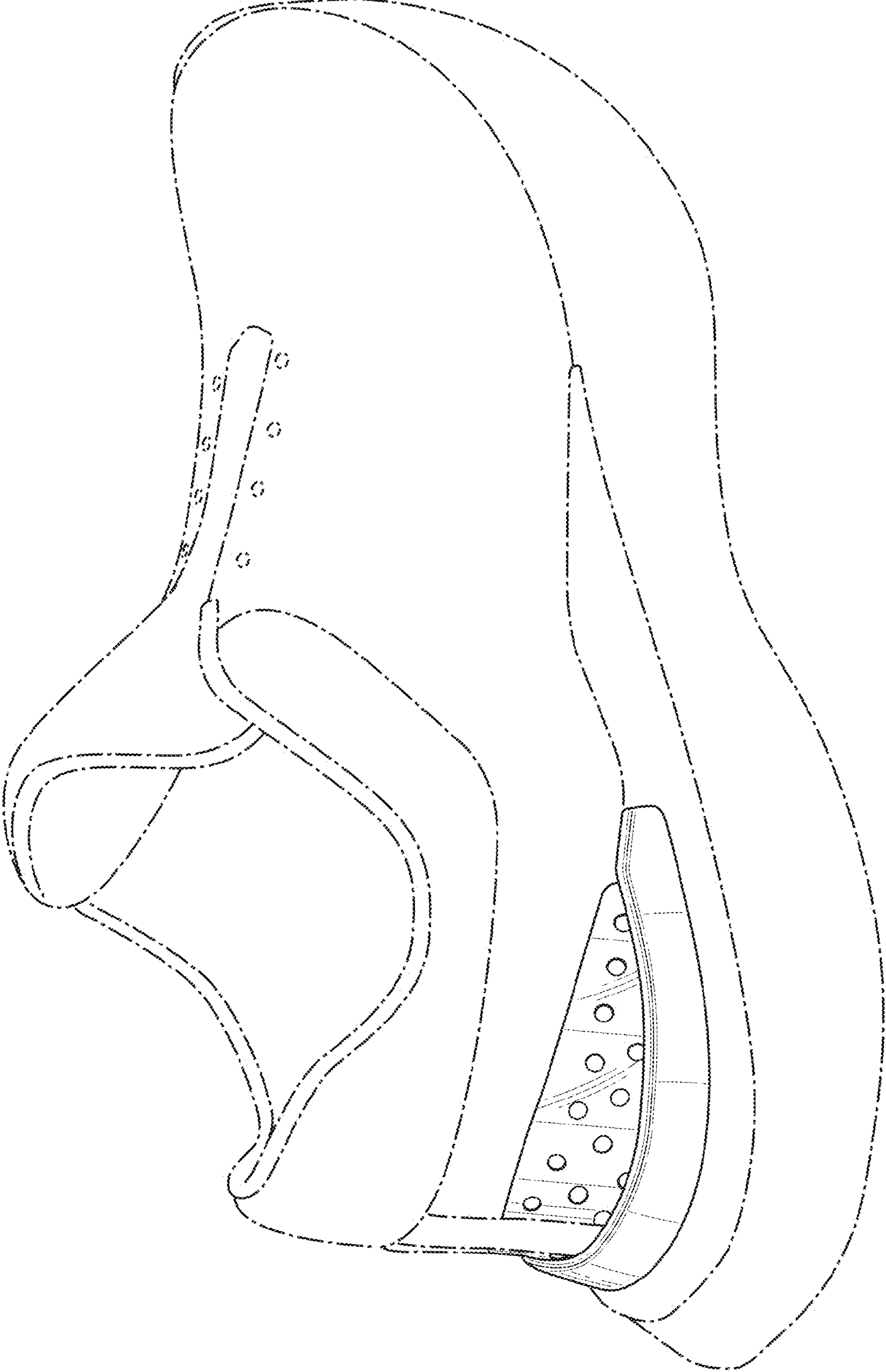


FIG. 2

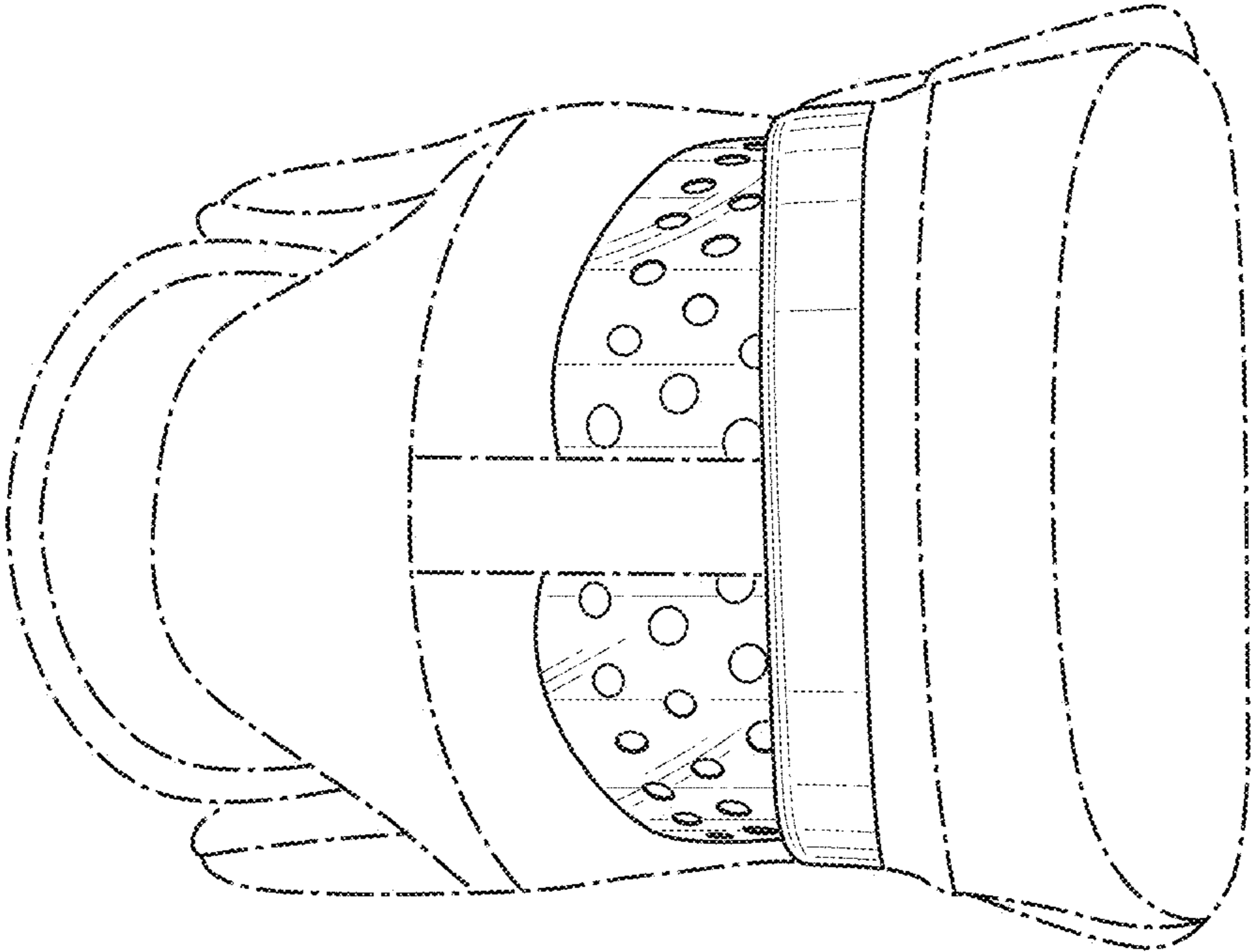


FIG. 3

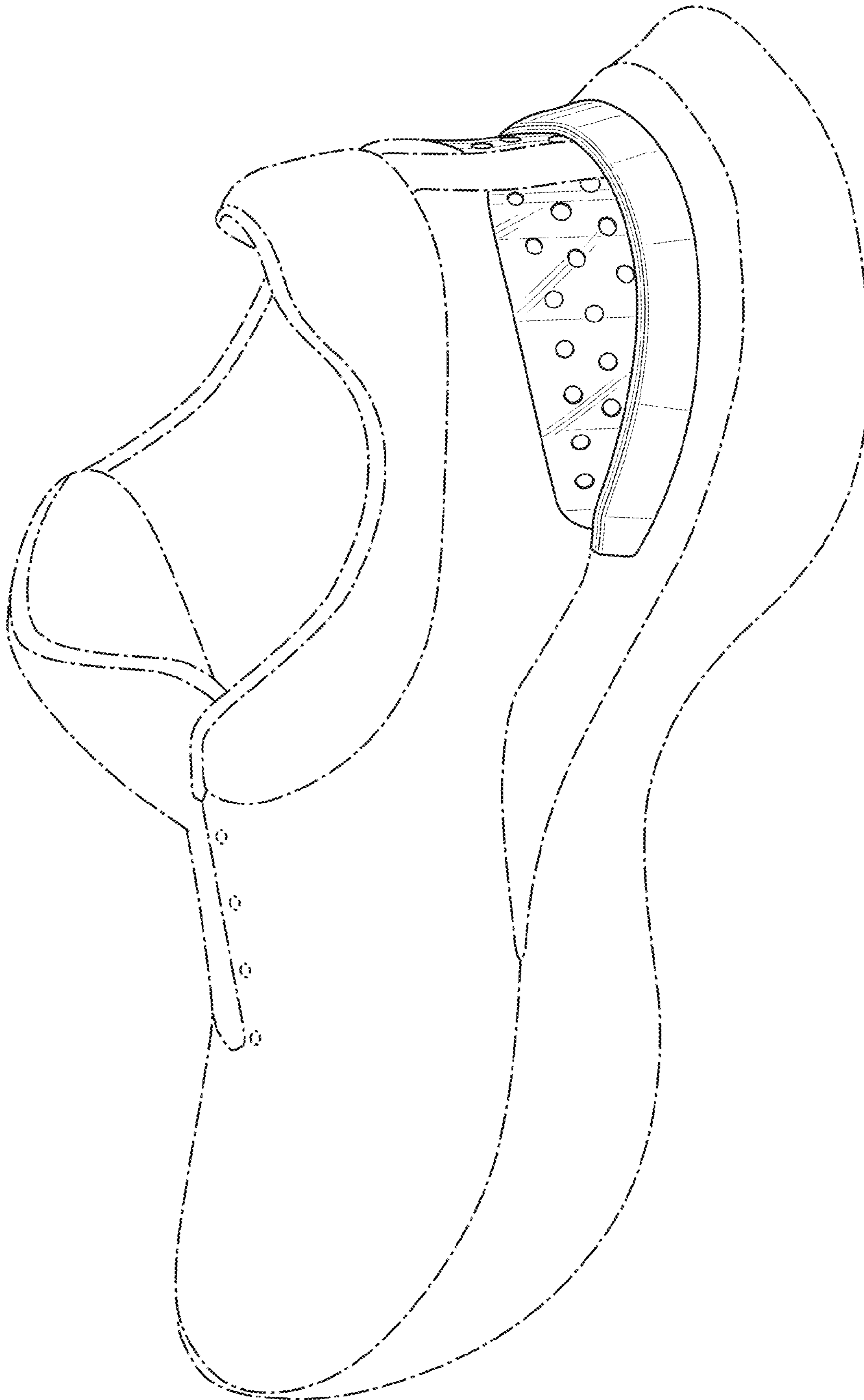


FIG. 4

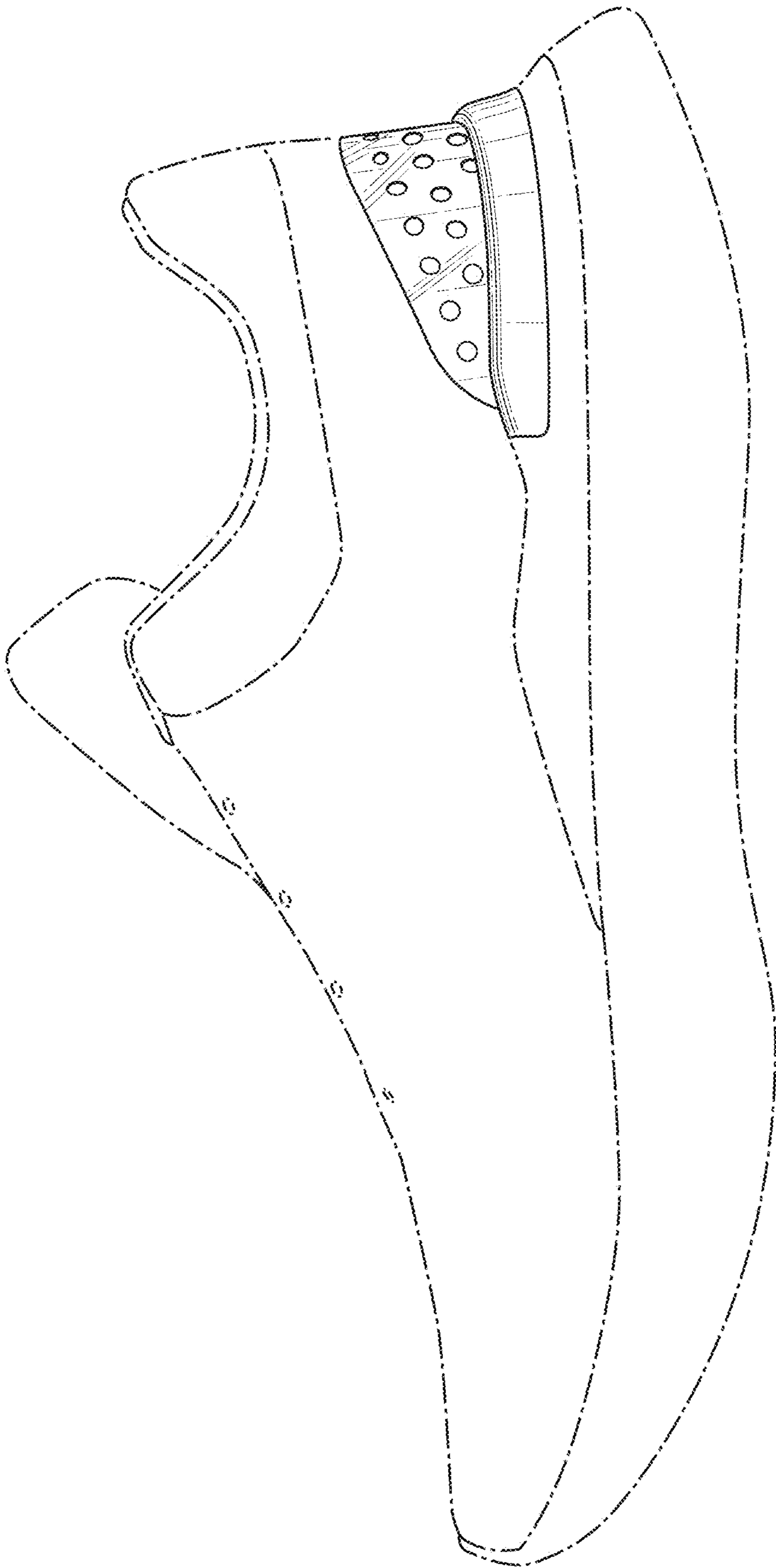


FIG. 5

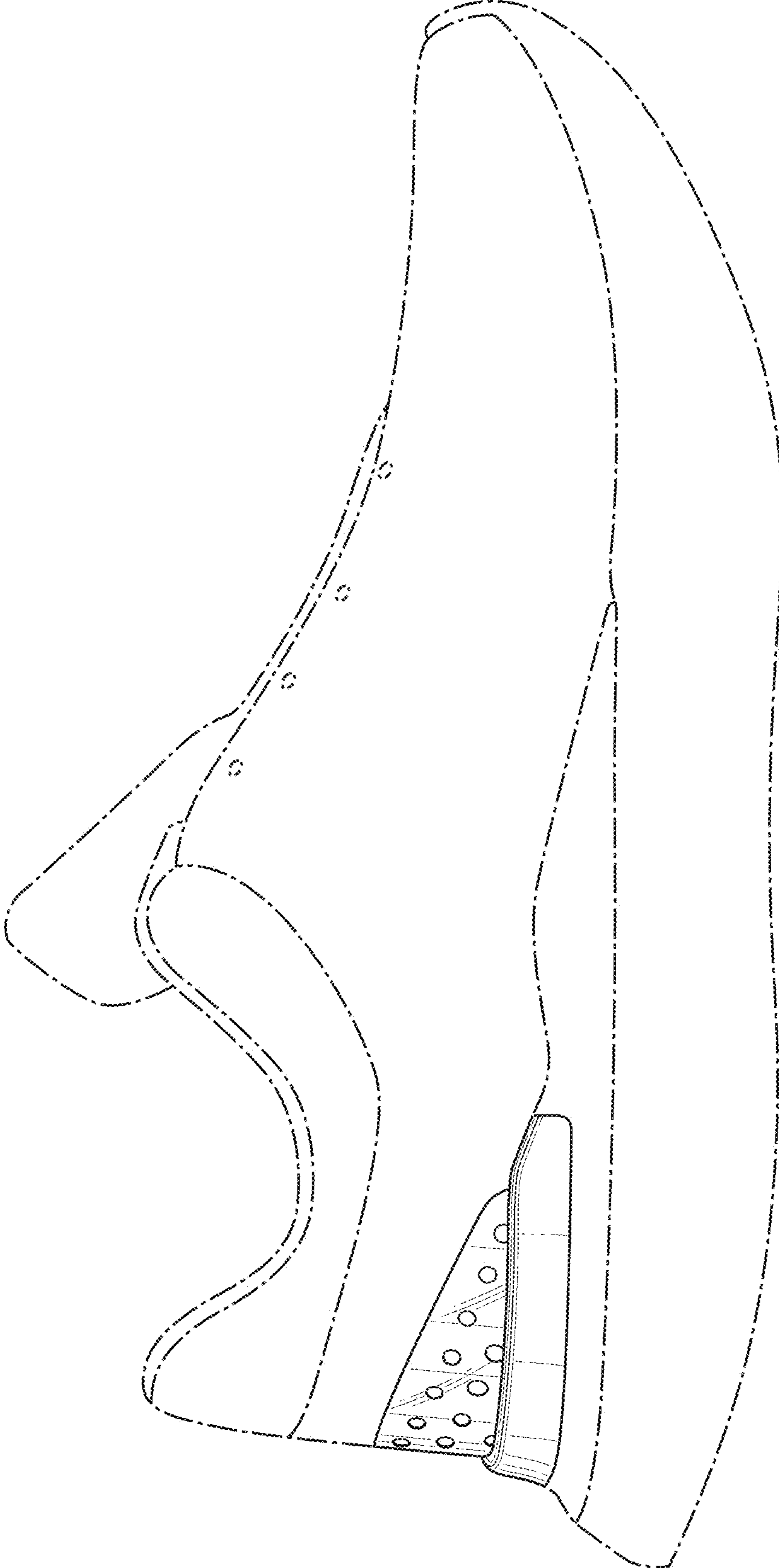


FIG. 6

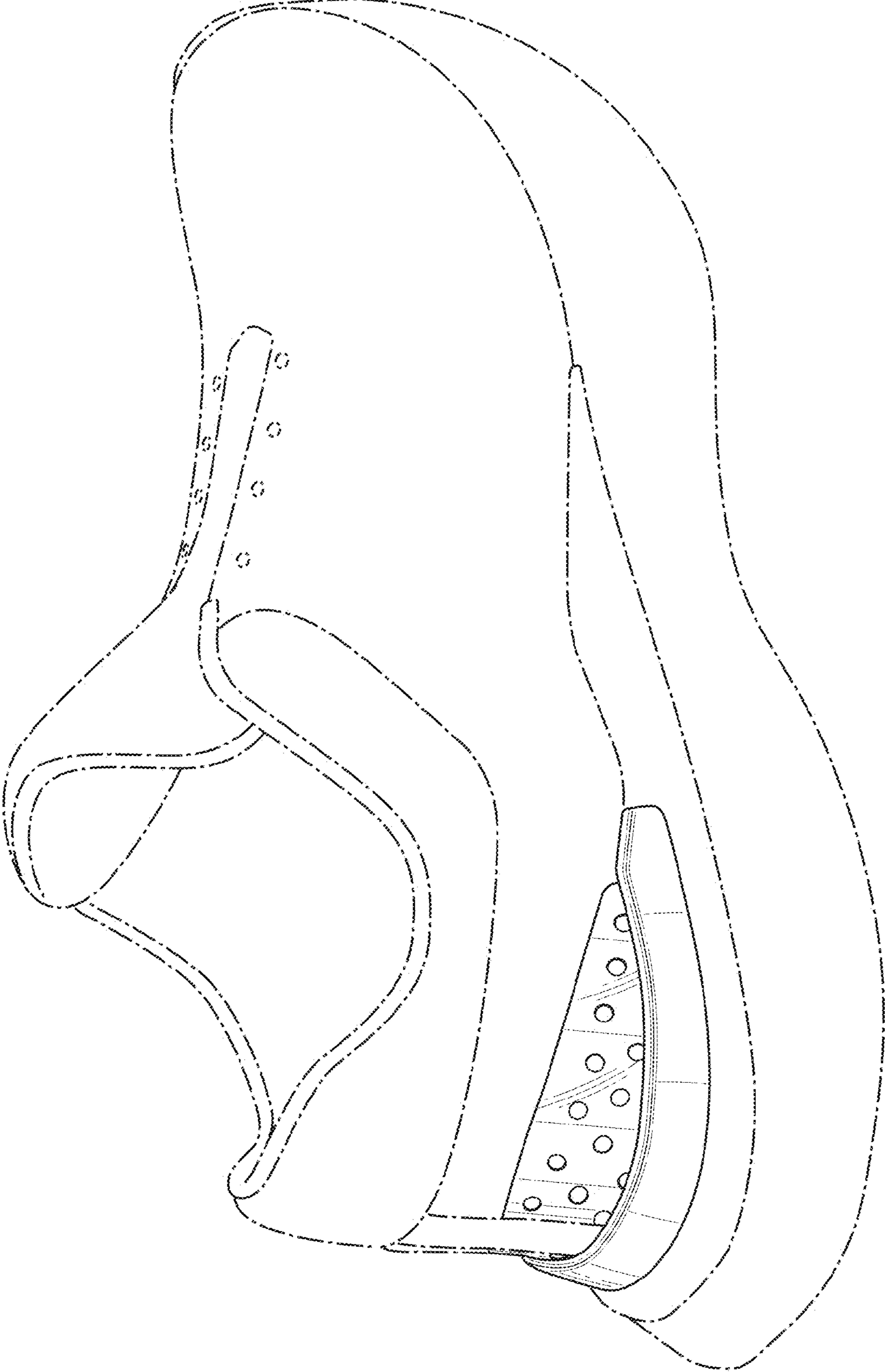


FIG. 7

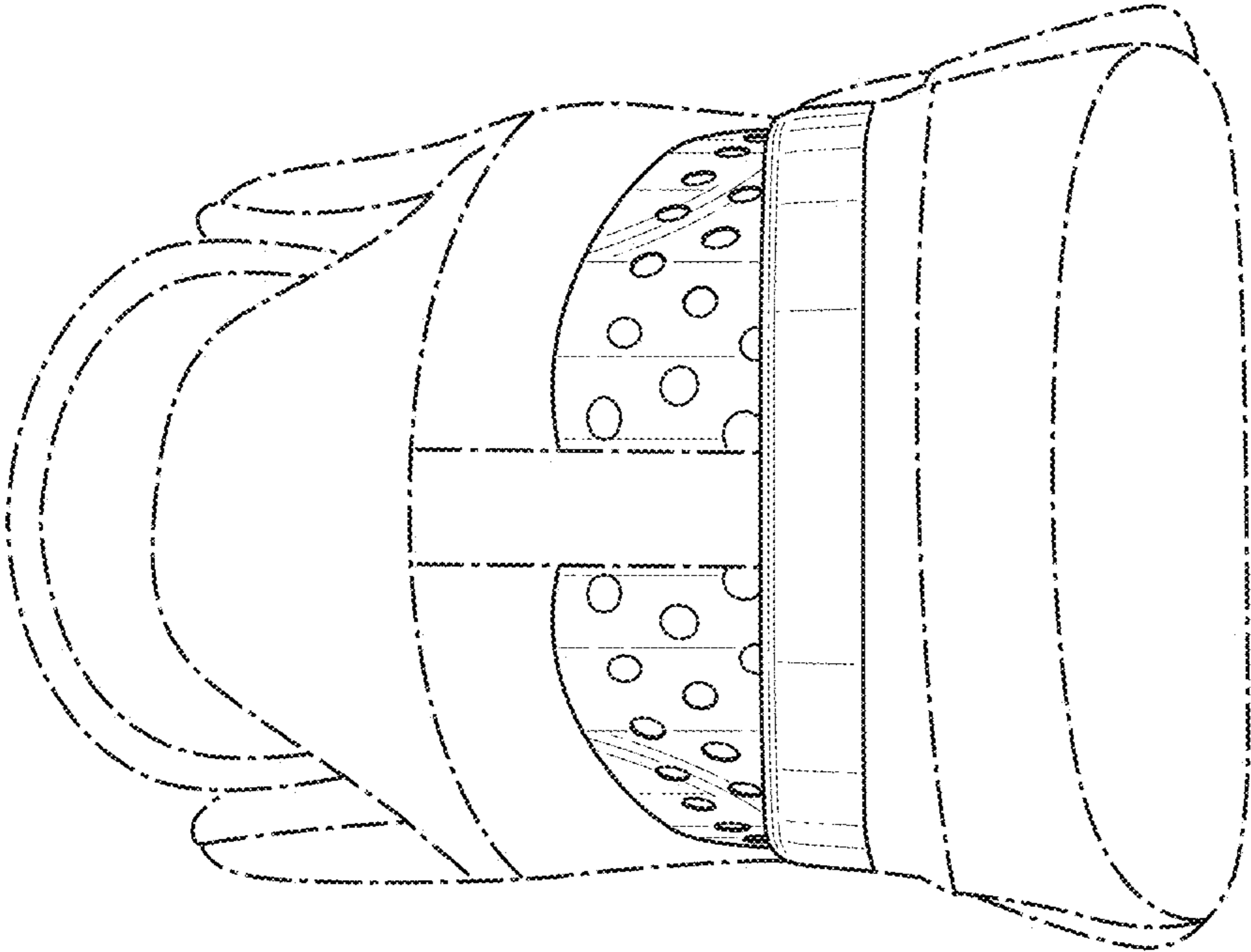


FIG. 8

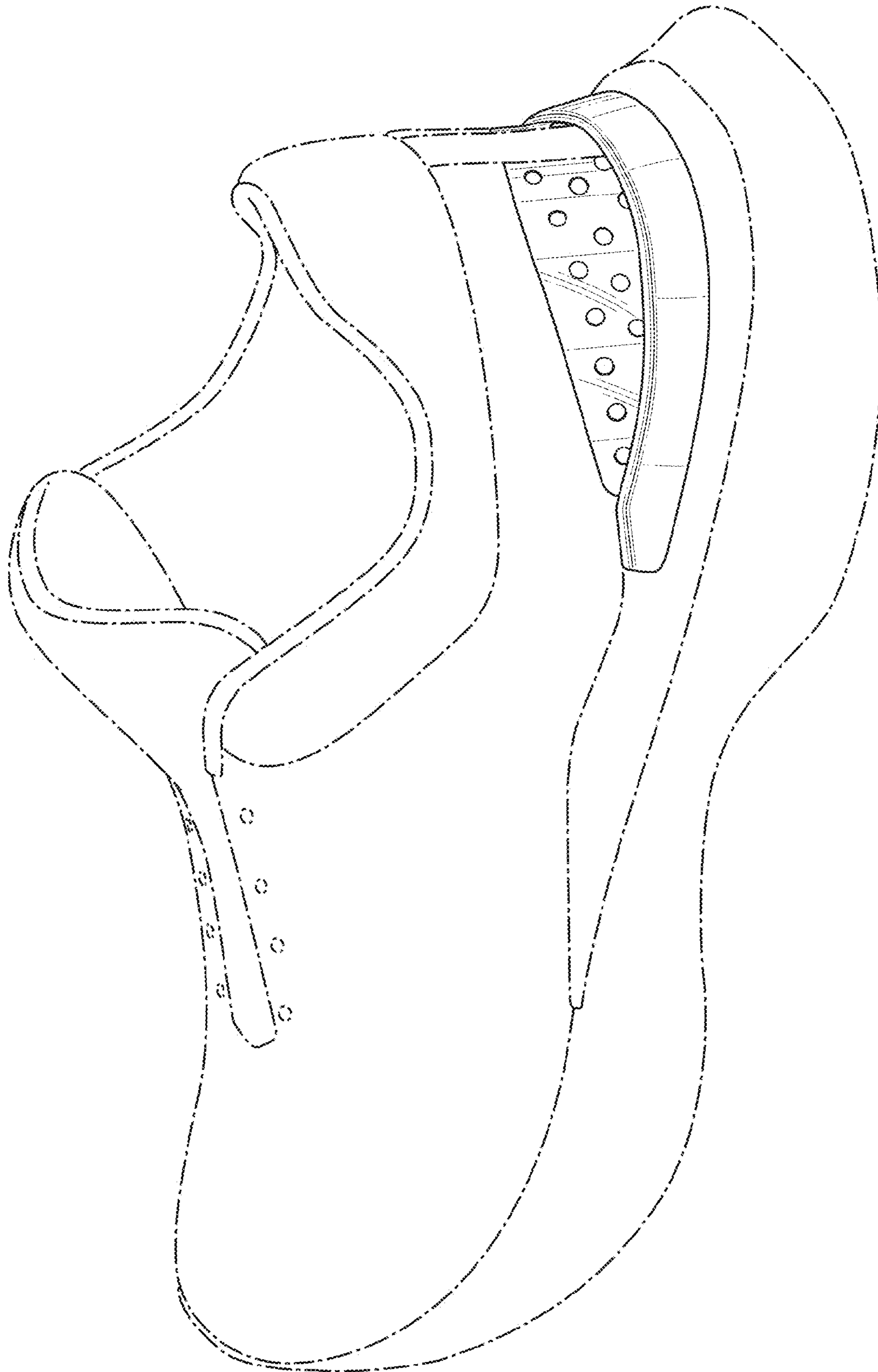


FIG. 9

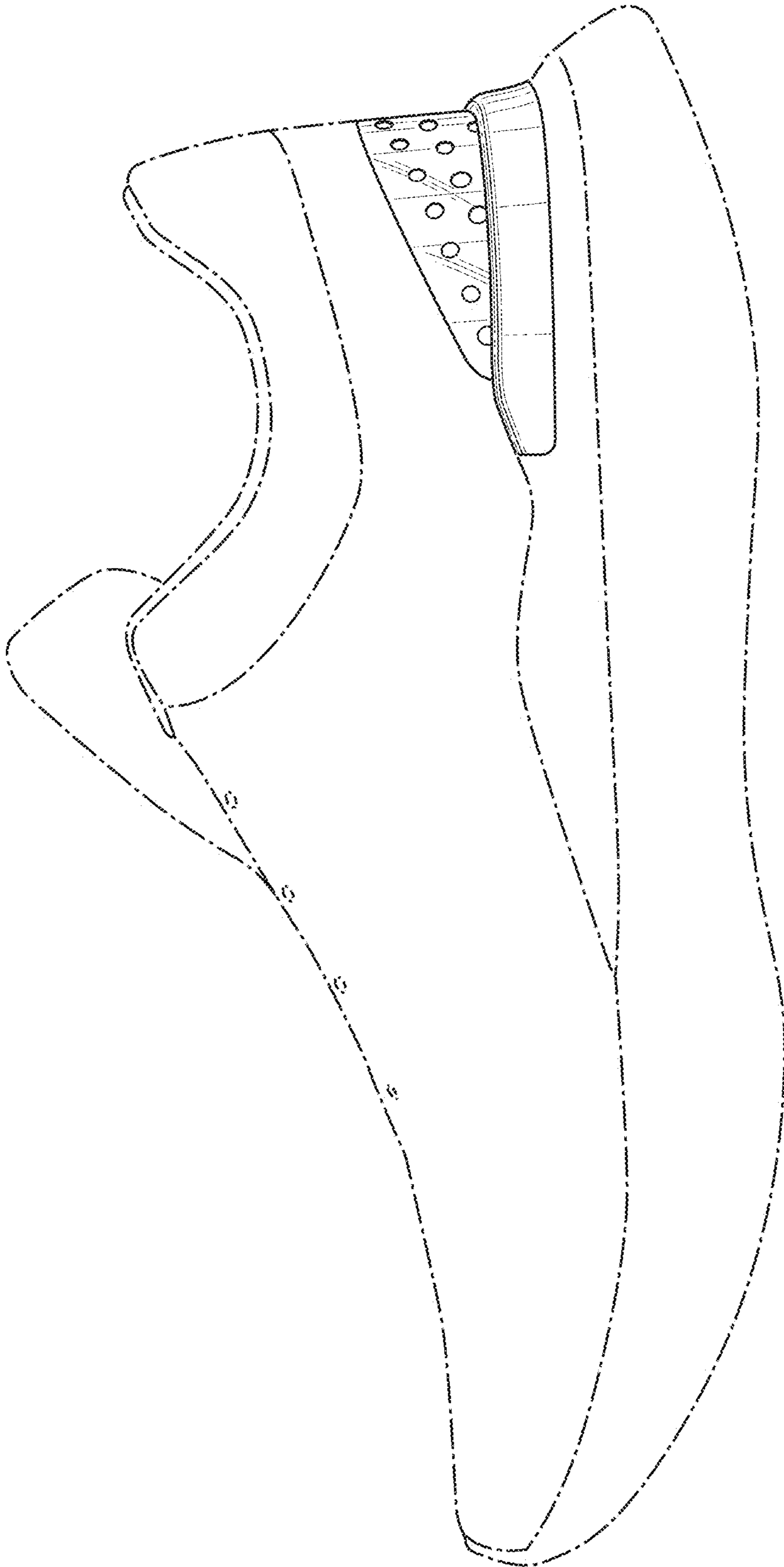


FIG. 10