



US00D961209S

(12) **United States Design Patent** (10) **Patent No.:** **US D961,209 S**
Venturini Fendi (45) **Date of Patent:** **** Aug. 23, 2022**

(54) **FOOTWEAR SOLE**

(71) Applicant: **Fendi S.r.l.**, Rome (IT)

(72) Inventor: **Maria Silvia Venturini Fendi**, Rome (IT)

(73) Assignee: **Fendi S.r.l.**, Rome (IT)

(**) Term: **15 Years**

(21) Appl. No.: **29/766,835**

(22) Filed: **Jan. 19, 2021**

(30) **Foreign Application Priority Data**

Sep. 22, 2020 (CN) 202030564674.0

(51) **LOC (13) Cl.** **02-04**

(52) **U.S. Cl.**
USPC **D2/947**; D2/951; D2/954

(58) **Field of Classification Search**
USPC D2/902, 906, 908, 916, 918, 925,
D2/946-962, 977
CPC A43B 13/00; A43B 13/02; A43B 13/023;
A43B 13/026; A43B 13/04; A43B 13/08;
A43B 13/10; A43B 13/12; A43B 13/14;
A43B 13/141; A43B 13/143; A43B
13/16; A43B 13/18; A43B 13/181; A43B
13/187; A43B 13/189; A43B 13/20; A43B
13/22; A43B 13/223; A43B 13/24; A43B
13/28; A43B 13/30; A43B 13/32; A43B
13/34; A43B 13/36

See application file for complete search history.

(56) **References Cited**

U.S. PATENT DOCUMENTS

2,090,881 A * 8/1937 Wilson A43C 15/168
36/35 B
D248,193 S * 6/1978 Edmonds D2/955
D255,178 S * 6/1980 Fuzita D2/954

D305,829 S * 2/1990 Violi, Jr. D2/950
D315,634 S * 3/1991 Yung-Mao D2/954
D487,837 S * 3/2004 McClaskie D2/954
D591,494 S * 5/2009 Jolicoeur D2/961
D631,646 S * 2/2011 Muller D2/954
D636,156 S * 4/2011 Della Valle D2/907
D656,720 S * 4/2012 Wawrousek D2/954
D659,366 S * 5/2012 Madvin D2/954

(Continued)

OTHER PUBLICATIONS

Fendi FF Leather and Canvas Sneakers Unboxing | Review | On Feet, YouTube.com, JLZ Trenz, Apr. 16, 2021, [online], [site visited Mar. 29, 2022]. <URL: https://www.youtube.com/watch?v=EyYv_QBYOv8> (Year: 2021).*

(Continued)

Primary Examiner — Jonathan J Han

(74) *Attorney, Agent, or Firm* — Barack Ferrazzano
Kirschbaum

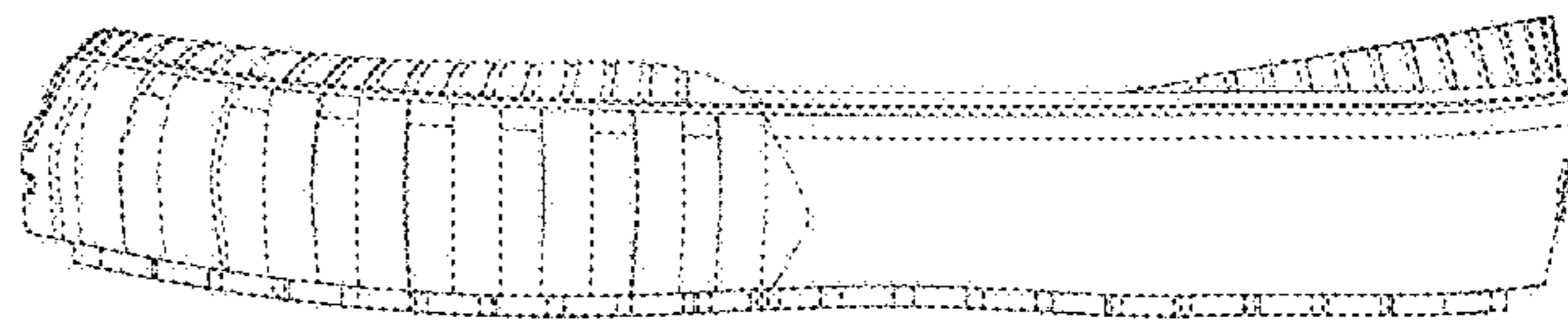
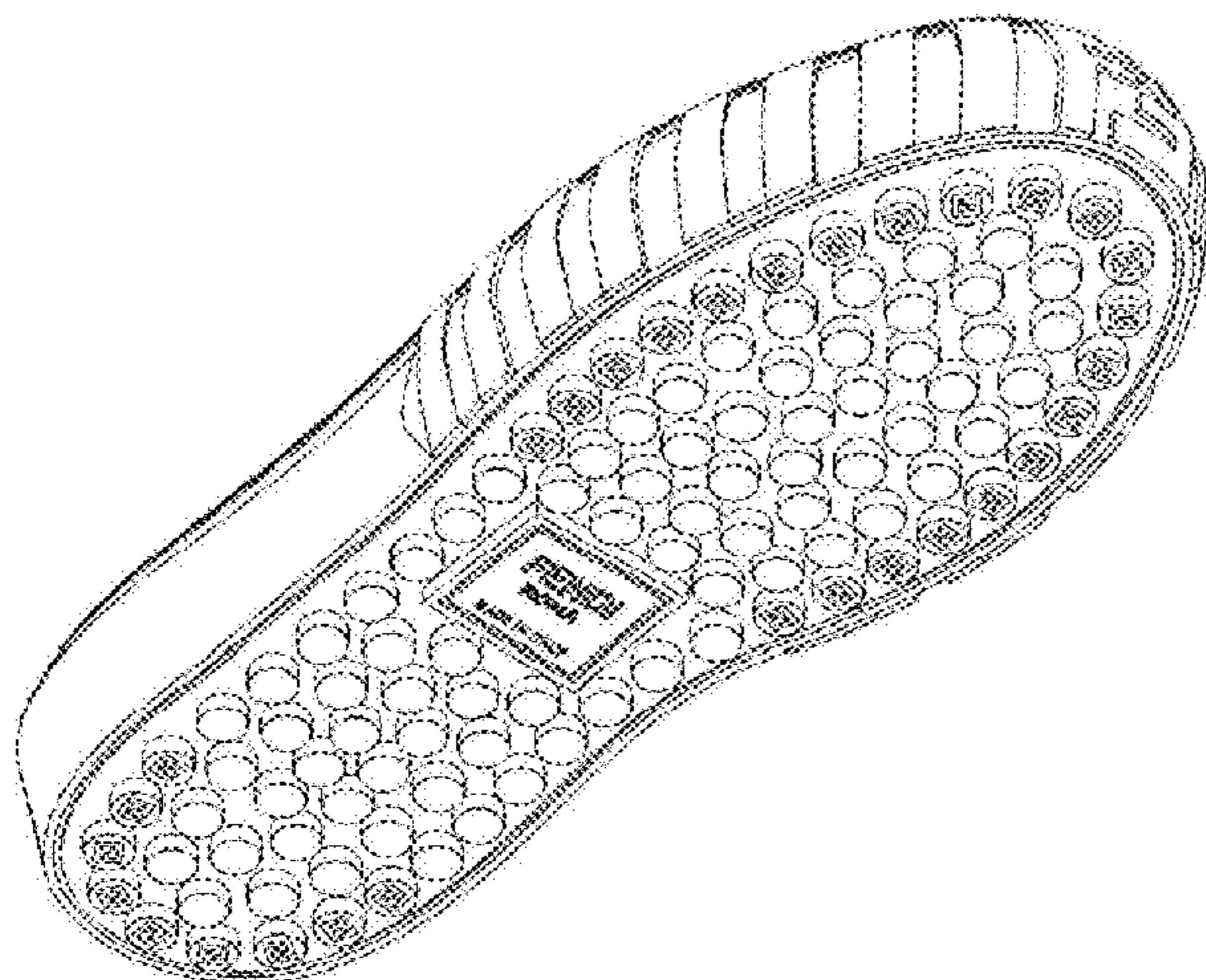
(57) **CLAIM**

The ornamental design for a footwear sole, as shown and described.

DESCRIPTION

FIG. 1 is a perspective view of a footwear sole.
FIG. 2 is another perspective view of the footwear sole of FIG. 1.
FIG. 3 is a front view of the footwear sole of FIG. 1.
FIG. 4 is a back view of the footwear sole of FIG. 1.
FIG. 5 is a side view of the footwear sole of FIG. 1.
FIG. 6 is another side view of the footwear sole of FIG. 1.
FIG. 7 is a top view of the footwear sole of FIG. 1; and,
FIG. 8 is a bottom view of the footwear sole of FIG. 1.
The dash-dot-dash broken lines in the figures surrounding the top opening edge of the sole show the boundary of the claimed design. The boundary line and the area within form no part of the claimed design.

1 Claim, 4 Drawing Sheets



(56)

References Cited

U.S. PATENT DOCUMENTS

D661,073	S	*	6/2012	Della Valle	D2/954
D661,882	S	*	6/2012	Raysse	D2/954
D662,295	S	*	6/2012	Raysse	D2/954
D663,517	S	*	7/2012	Della Valle	D2/954
D663,929	S	*	7/2012	Teng-Lee	D2/954
D671,306	S	*	11/2012	Tzenos	D2/947
D680,312	S	*	4/2013	Raysse	D2/954
D683,941	S	*	6/2013	Raysse	D2/954
D685,984	S	*	7/2013	Raysse	D2/954
D689,678	S	*	9/2013	McClaskie	D2/954
D698,137	S	*	1/2014	Carr	D2/954
D712,124	S	*	9/2014	Truelsen	D2/951
D723,774	S	*	3/2015	Raysse	D2/954
D748,384	S	*	2/2016	Raysse	D2/954
D782,793	S	*	4/2017	Truelsen	D2/954
D794,294	S	*	8/2017	Robusti	D2/954
D817,619	S	*	5/2018	Bressanin	D2/951
D857,361	S	*	8/2019	Della Valle	D2/954
D875,366	S	*	2/2020	Avar	D2/954
D922,045	S	*	6/2021	Goussev	D2/954
D925,174	S	*	7/2021	Della Valle	D2/907
D926,453	S	*	8/2021	Radabaugh	D2/947
D930,342	S	*	9/2021	Kosenick	D2/954
2018/0303197	A1	*	10/2018	Chen	A43B 13/188

OTHER PUBLICATIONS

Fendi Force Low-Tops, Fendi.com, [online], [site visited Mar. 29, 2022]. <URL: <https://www.fendi.com/us-en/private-pre-orders-man-s/fendi-force-low-tops-gray-fabric-low-top-7e1520ad76f1fgu>> (Year: 2022).*

* cited by examiner

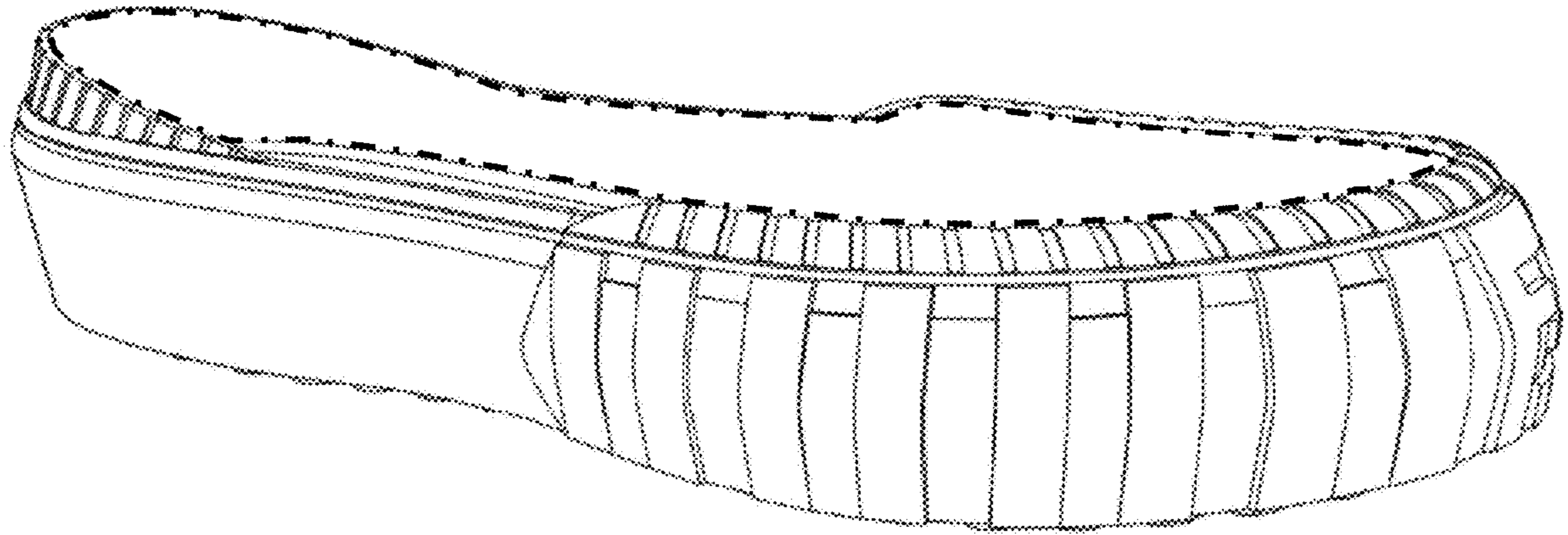


Figure 1

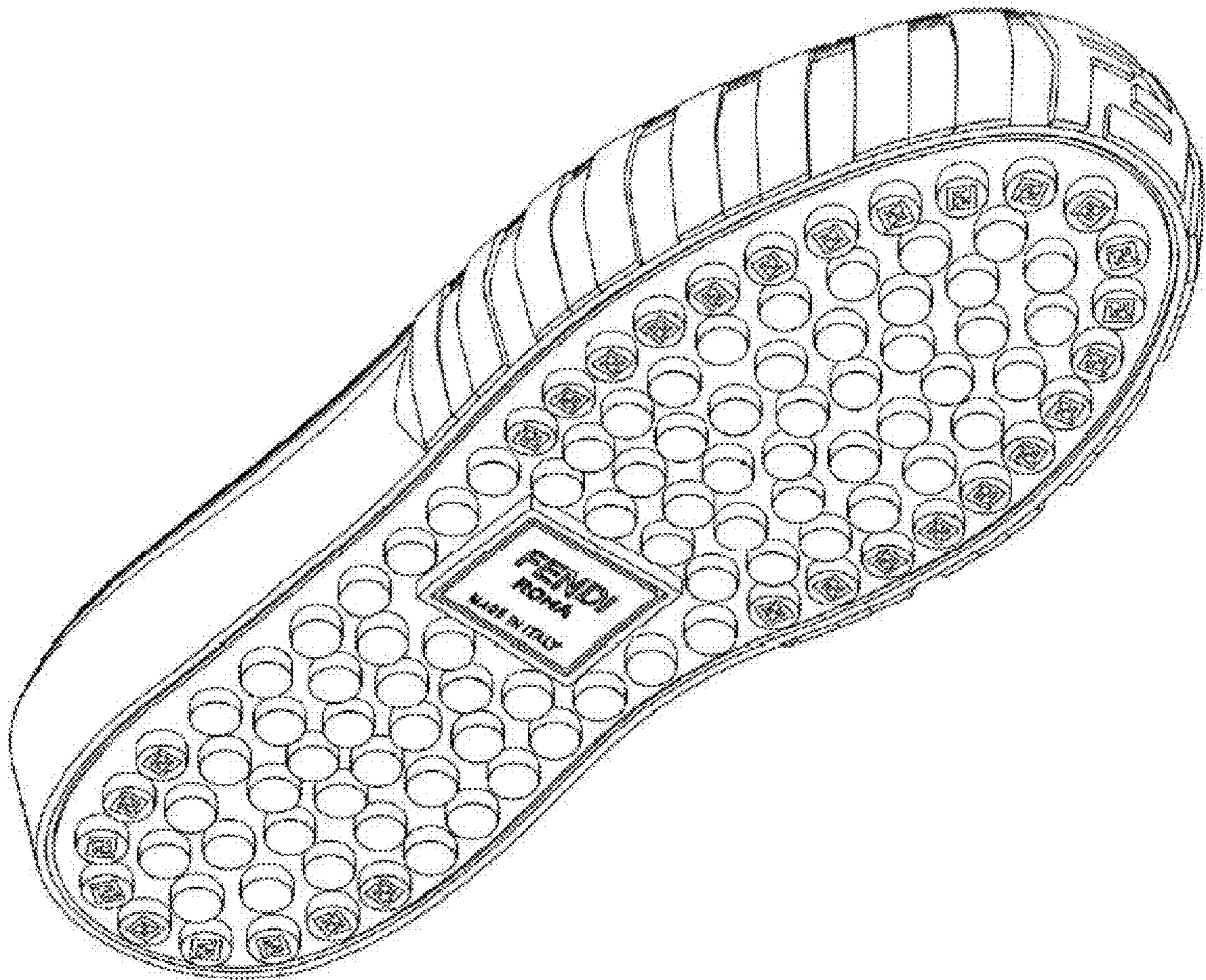


Figure 2

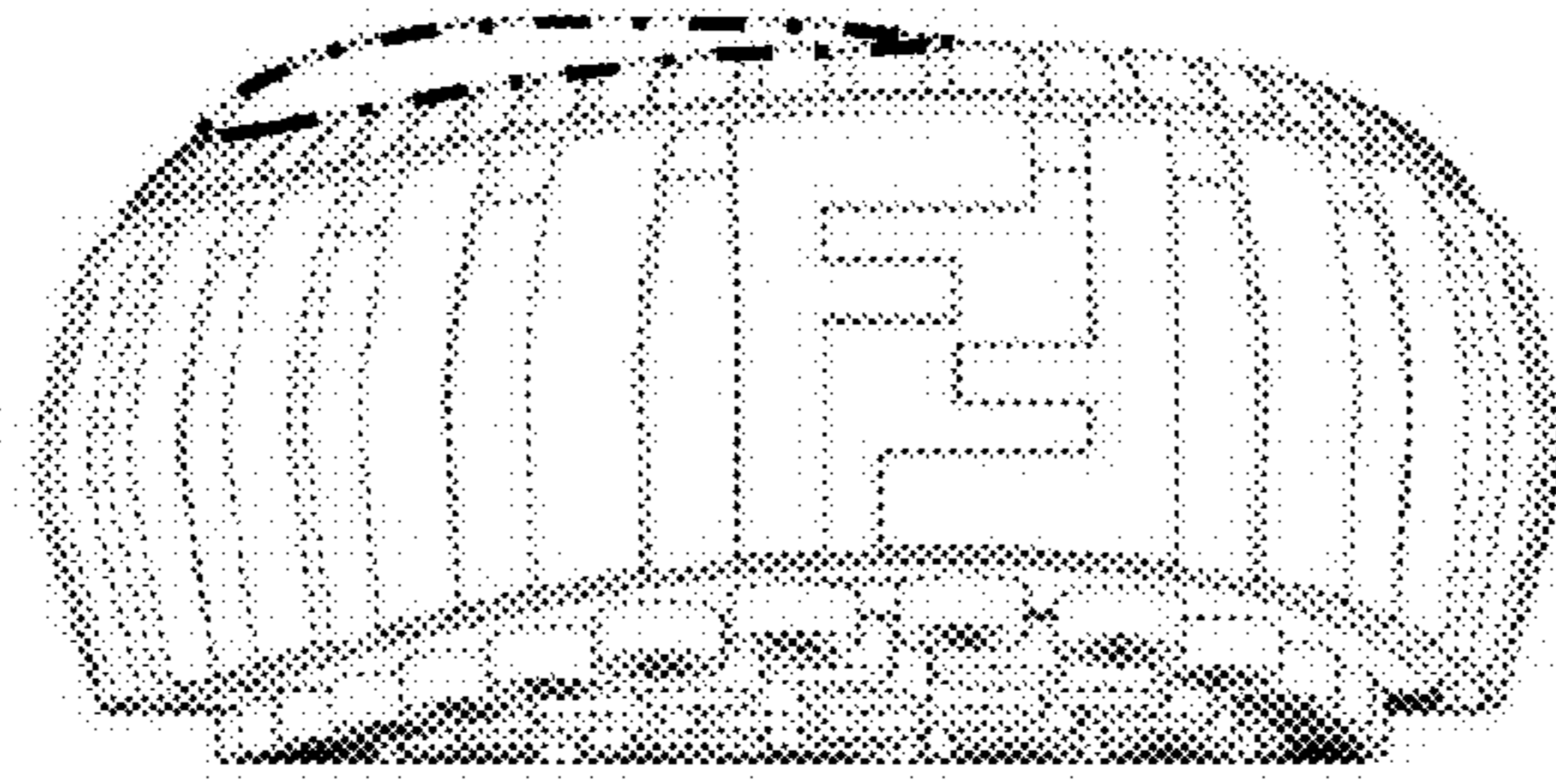


Figure 3

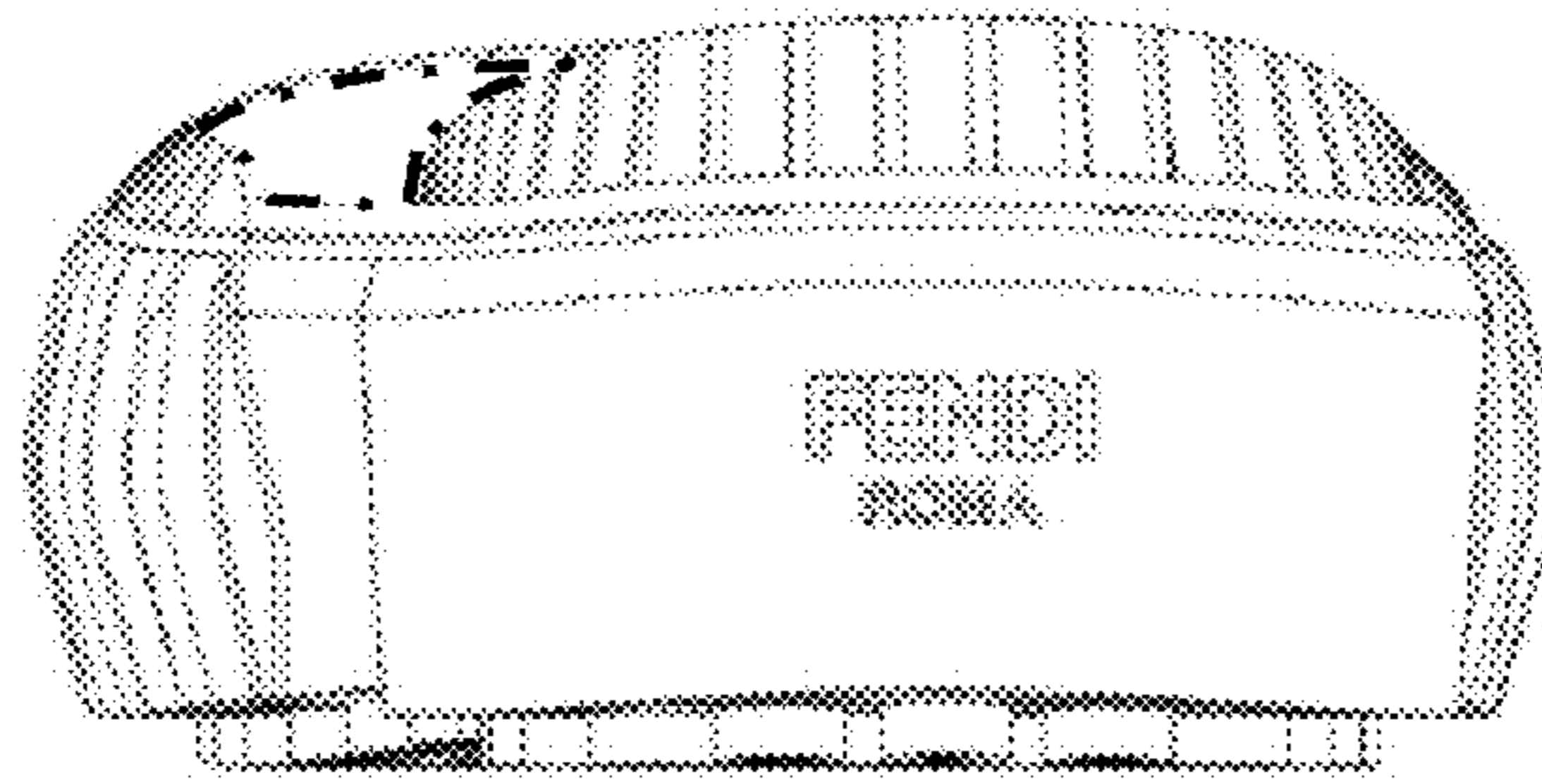


Figure 4

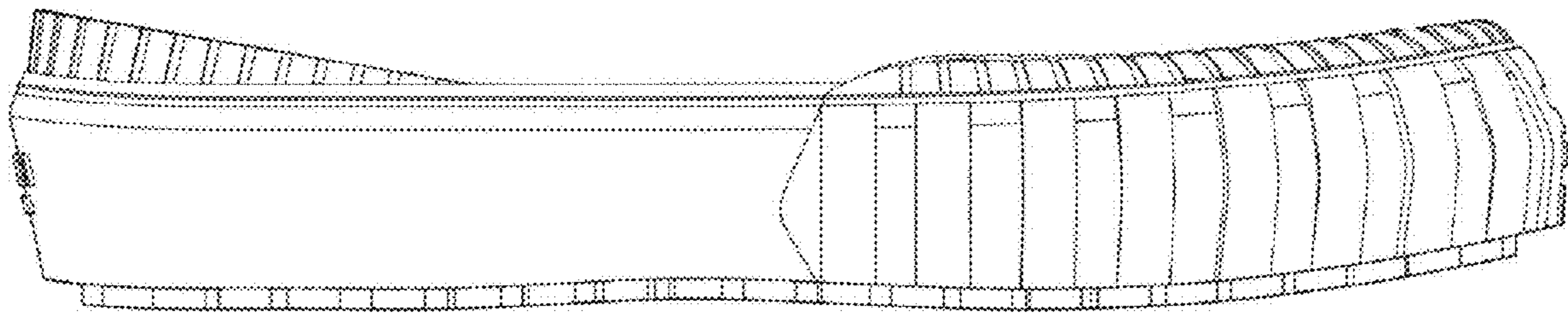


Figure 5

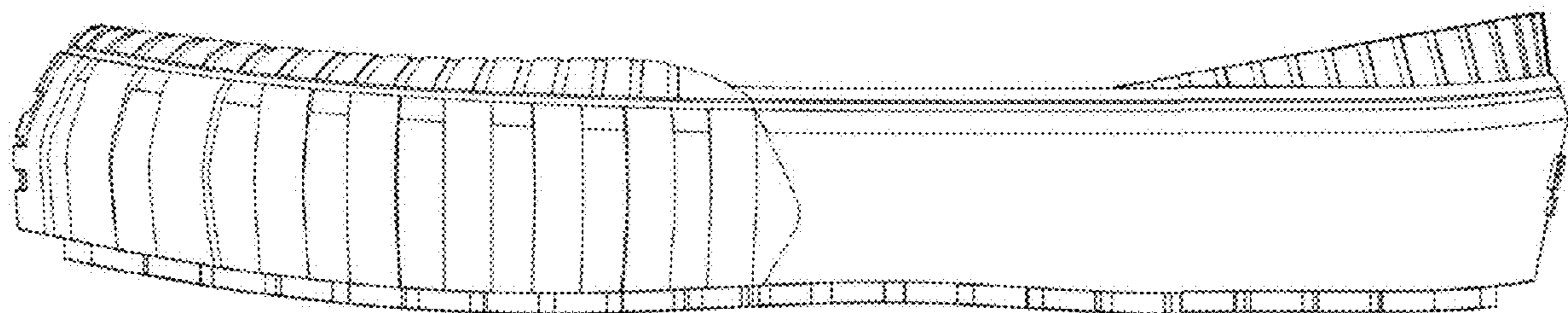


Figure 6

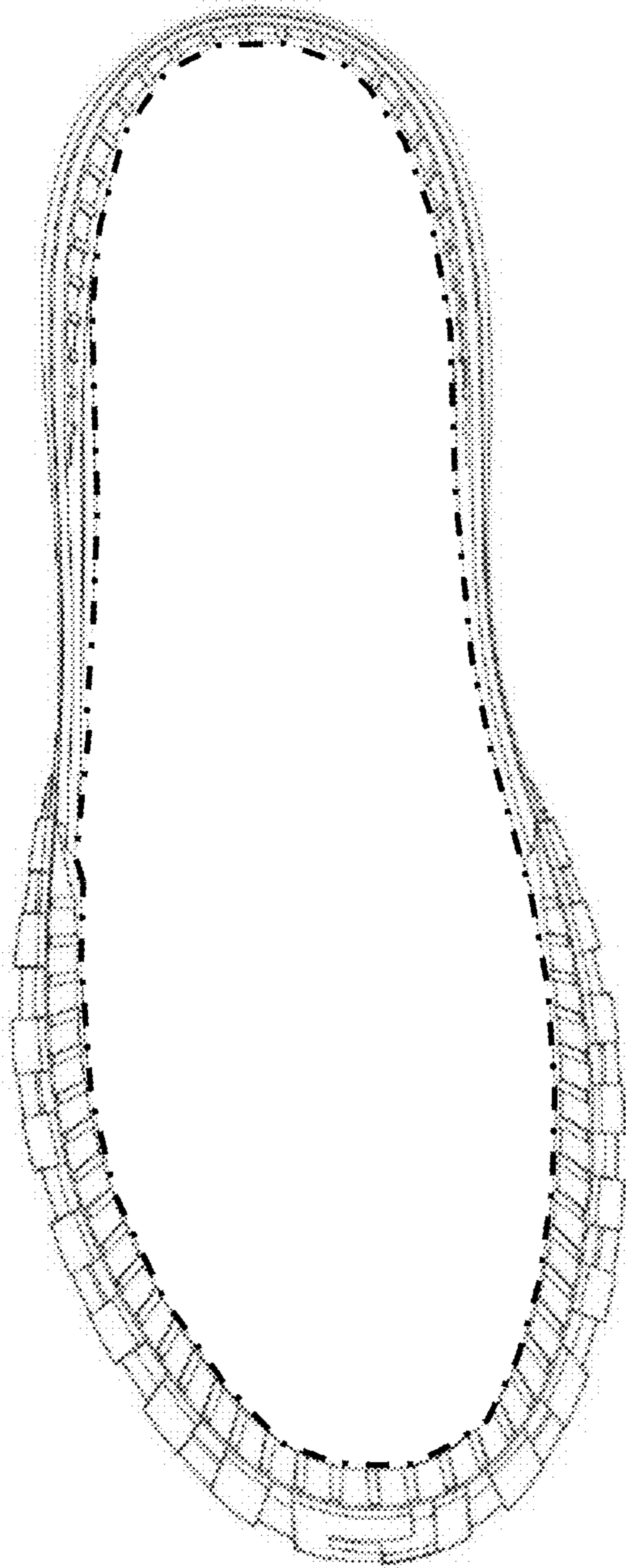


Figure 7

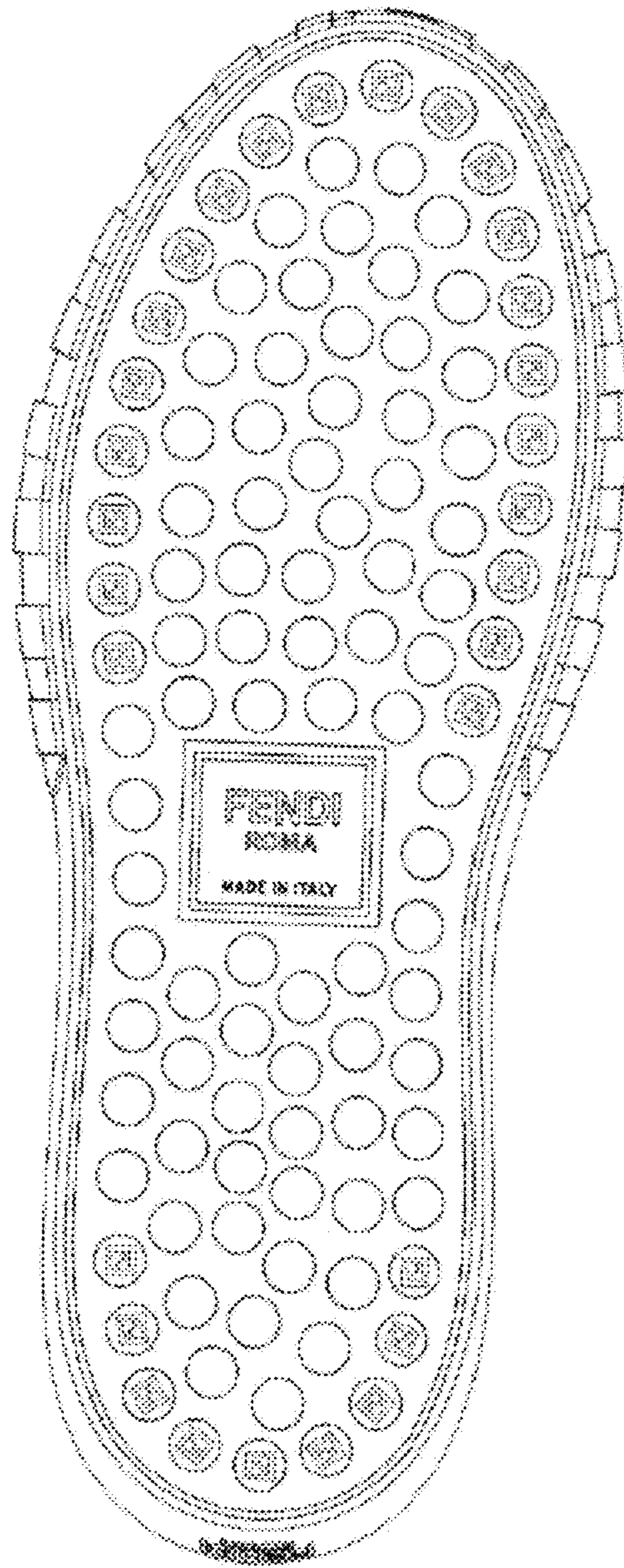


Figure 8