



US00D961208S

(12) **United States Design Patent** (10) **Patent No.:** **US D961,208 S**
Gibson (45) **Date of Patent:** **** Aug. 23, 2022**

(54) **SHOE**
(71) Applicant: **NIKE, Inc.**, Beaverton, OR (US)
(72) Inventor: **Lee Gibson**, Beaverton, OR (US)
(73) Assignee: **NIKE, Inc.**, Beaverton, OR (US)
(**) Term: **15 Years**

D341,478 S 11/1993 Forland et al.
D341,700 S * 11/1993 Avar D2/977
D363,372 S * 10/1995 Hatfield D2/977
D366,756 S 2/1996 Forland et al.
D395,337 S * 6/1998 Greene D2/977
D408,618 S * 4/1999 Wilborn D2/947
D410,964 S * 6/1999 Wilborn D2/947
D624,291 S * 9/2010 Henderson D2/977
D634,536 S * 3/2011 Lee D2/977
D634,537 S * 3/2011 Lee D2/977

(Continued)

(21) Appl. No.: **29/763,102**
(22) Filed: **Dec. 21, 2020**
(51) **LOC (13) Cl.** **02-04**
(52) **U.S. Cl.**
USPC **D2/947**
(58) **Field of Classification Search**
USPC D2/902, 906, 908, 916, 918, 925,
D2/946-962, 977
CPC A43B 13/00; A43B 13/02; A43B 13/023;
A43B 13/026; A43B 13/04; A43B 13/08;
A43B 13/10; A43B 13/12; A43B 13/14;
A43B 13/141; A43B 13/143; A43B
13/16; A43B 13/18; A43B 13/181; A43B
13/187; A43B 13/189; A43B 13/20; A43B
13/22; A43B 13/223; A43B 13/24; A43B
13/28; A43B 13/30; A43B 13/32; A43B
13/34; A43B 13/36
See application file for complete search history.

OTHER PUBLICATIONS

Nike Air Max Dawn, Nike.com, [online], [site visited Apr. 7, 2022].
<URL: <https://www.nike.com/t/air-max-dawn-mens-shoes-Rg69GM/DJ3624-003>> (Year: 2022).*
Nike Air Max 90, Nike.com, [online], [site visited Apr. 7, 2022].
<URL: <https://www.nike.com/t/air-max-90-mens-shoes-6n3vKB/CN8490-100>> (Year: 2022).*
Jordan Point Lane, Nike.com, [online], [site visited Apr. 7, 2022].
<URL: <https://www.nike.com/t/jordan-point-lane-mens-shoes-PPMHdC/CZ4166-002>> (Year: 2022).*

(Continued)

Primary Examiner — Jonathan J Han
(74) *Attorney, Agent, or Firm* — Banner & Witcoff, Ltd.

(57) **CLAIM**

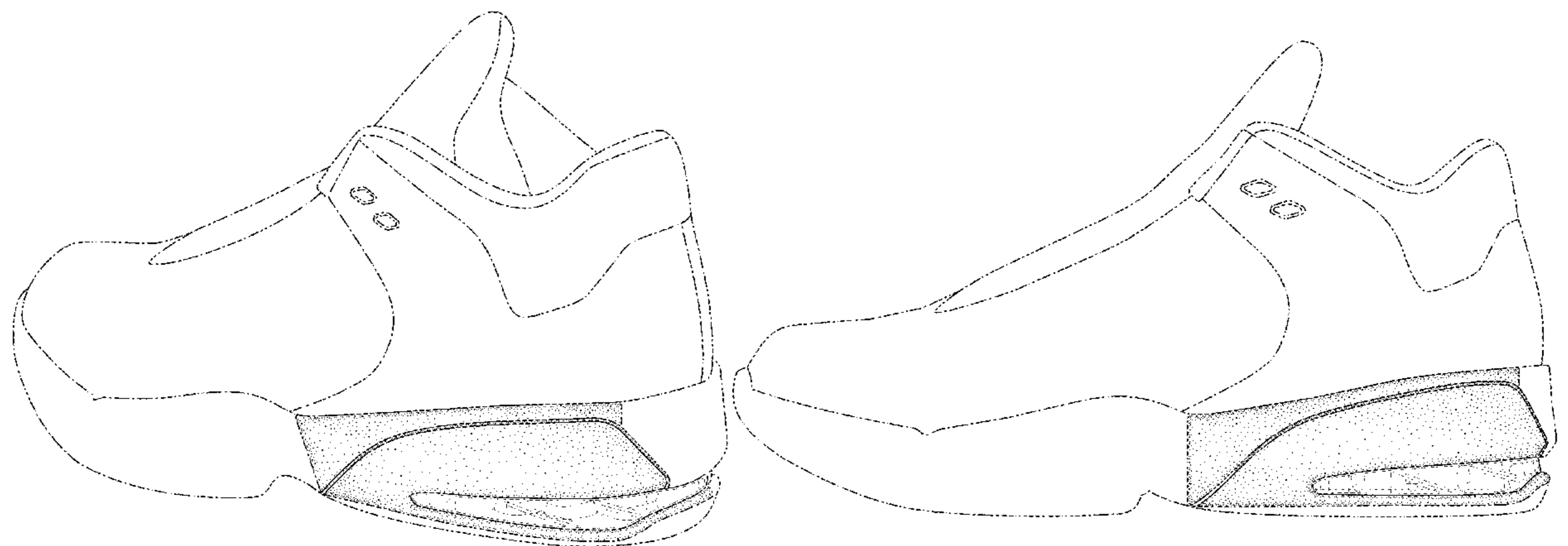
The ornamental design for a shoe, as shown and described.

DESCRIPTION

FIG. 1 is a rear perspective view of a shoe showing my new design;
FIG. 2 is a side view thereof; and,
FIG. 3 is a rear view thereof.
The oblique line shading represents that the surface has a transparent, translucent, highly polished or reflective appearance. The broken lines immediately adjacent to the shaded area define the bounds of the claimed design and form no part thereof. The broken lines depicting the remainder of the shoe form no part of the claimed design.

1 Claim, 3 Drawing Sheets

(56) **References Cited**
U.S. PATENT DOCUMENTS
D310,442 S * 9/1990 Hatfield D2/969
D321,776 S * 11/1991 Hatfield D2/977
D328,968 S * 9/1992 Tinker D2/977
D329,739 S * 9/1992 Hatfield D2/977
D329,941 S * 10/1992 Hatfield D2/953
D330,797 S * 11/1992 Lucas D2/977
D332,861 S 2/1993 Worthington
D334,280 S * 3/1993 Teague D2/977
D335,952 S * 6/1993 Forland D2/977
D336,771 S 6/1993 Hatfield et al.
D339,674 S * 9/1993 Avar D2/977



(56)

References Cited

U.S. PATENT DOCUMENTS

D796,804 S	9/2017	Young	
D810,407 S *	2/2018	DeAlmeida	D2/947
D835,389 S *	12/2018	Durflinger	D2/947
D841,950 S	3/2019	Ikeda et al.	
D866,135 S *	11/2019	Durflinger	D2/947
D870,430 S *	12/2019	Nickless	D2/947
D871,034 S *	12/2019	Amago	D2/947
D878,019 S *	3/2020	McMillan	D2/947
D883,623 S *	5/2020	Kosenick	D2/947
D883,624 S *	5/2020	Kosenick	D2/947
D900,437 S *	11/2020	Mazza	D2/908
D929,087 S *	8/2021	Gerig	D2/947
D929,716 S *	9/2021	Kosenick	D2/947
D936,343 S *	11/2021	Sagat	D2/947
D937,547 S *	12/2021	Street	D2/947
D941,561 S *	1/2022	Fu	D2/908
D941,562 S *	1/2022	Fu	D2/908

OTHER PUBLICATIONS

“The Jordan Max Aura Looks Like An Air Jordan 11 Knock Off”; Sneaker News; retrieved Dec. 17, 2020; published Jul. 1, 2018; URL: <<https://sneakernews.com/2018/07/01/jordan-max-aura-aq9084-001-buy-now/>>.

“The Air Jordan 9 “University Gold” Releases On Jan. 30”; Sneaker News; retrieved Dec. 17, 2020; published Nov. 16, 2020; URL: <<https://sneakernews.com/2020/11/16/air-jordan-9-black-charcoal-university-gold-ct8019-070/>>.

“Jordan Max Aura 2”; Shiekh; retrieved Dec. 17, 2020; published date unknown, but prior to application filing date; URL: <<https://www.shiekh.com/jordan-max-aura-2-black.html>>.

“Air Jordan 23 (XX3 or XXIII)—All-Stars (White / Black—Varsity Red)”; Kicks on Fire; retrieved Dec. 17, 2020; published date unknown, but prior to application filing date; URL: <<https://www.kicksonfire.com/what-are-air-jordans/air-jordan-23-xx3/air-jordan-23-xx3-or-xxiii-all-stars-white-black-varsity-red/>>.

* cited by examiner

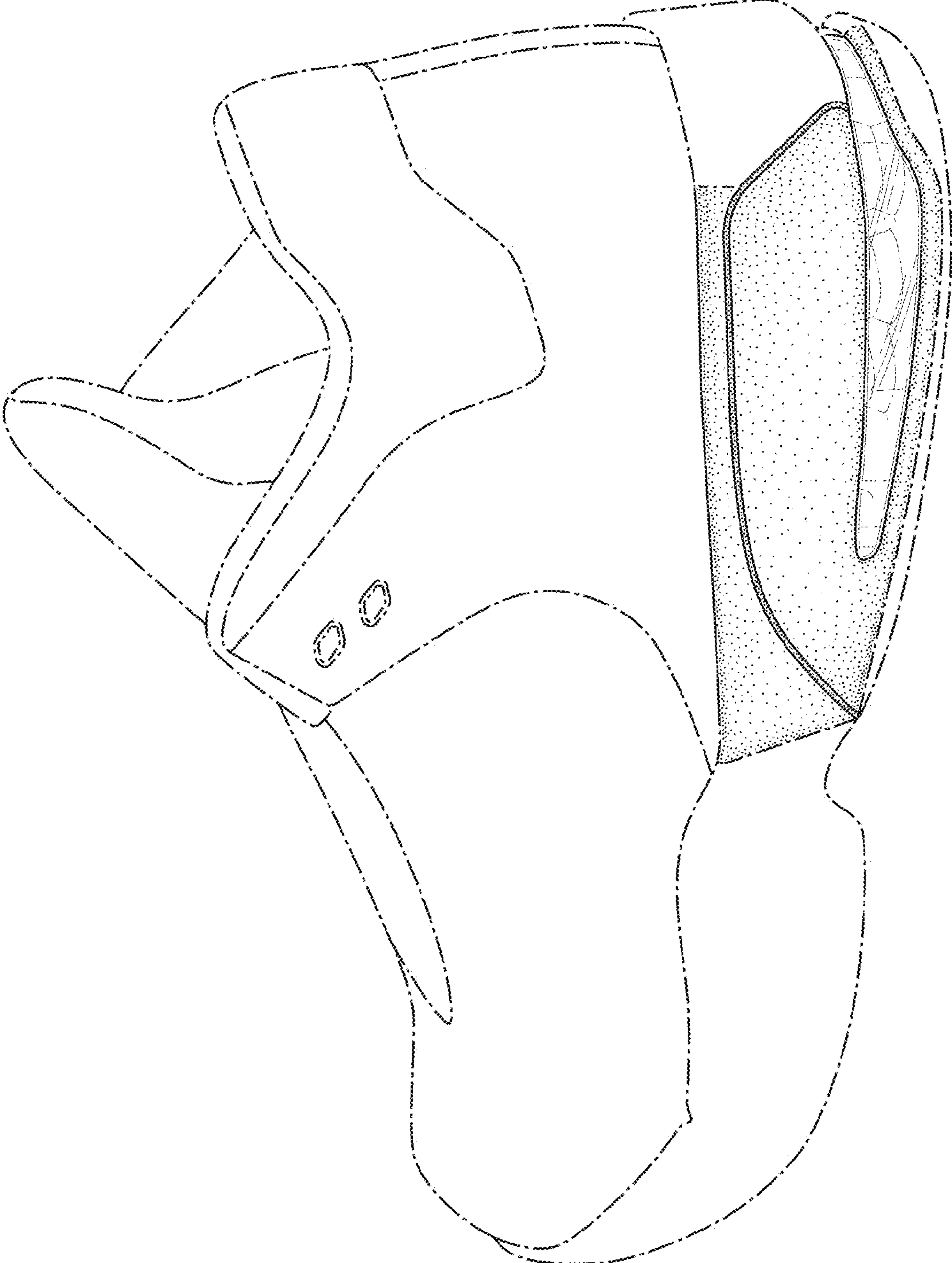


FIG. 1

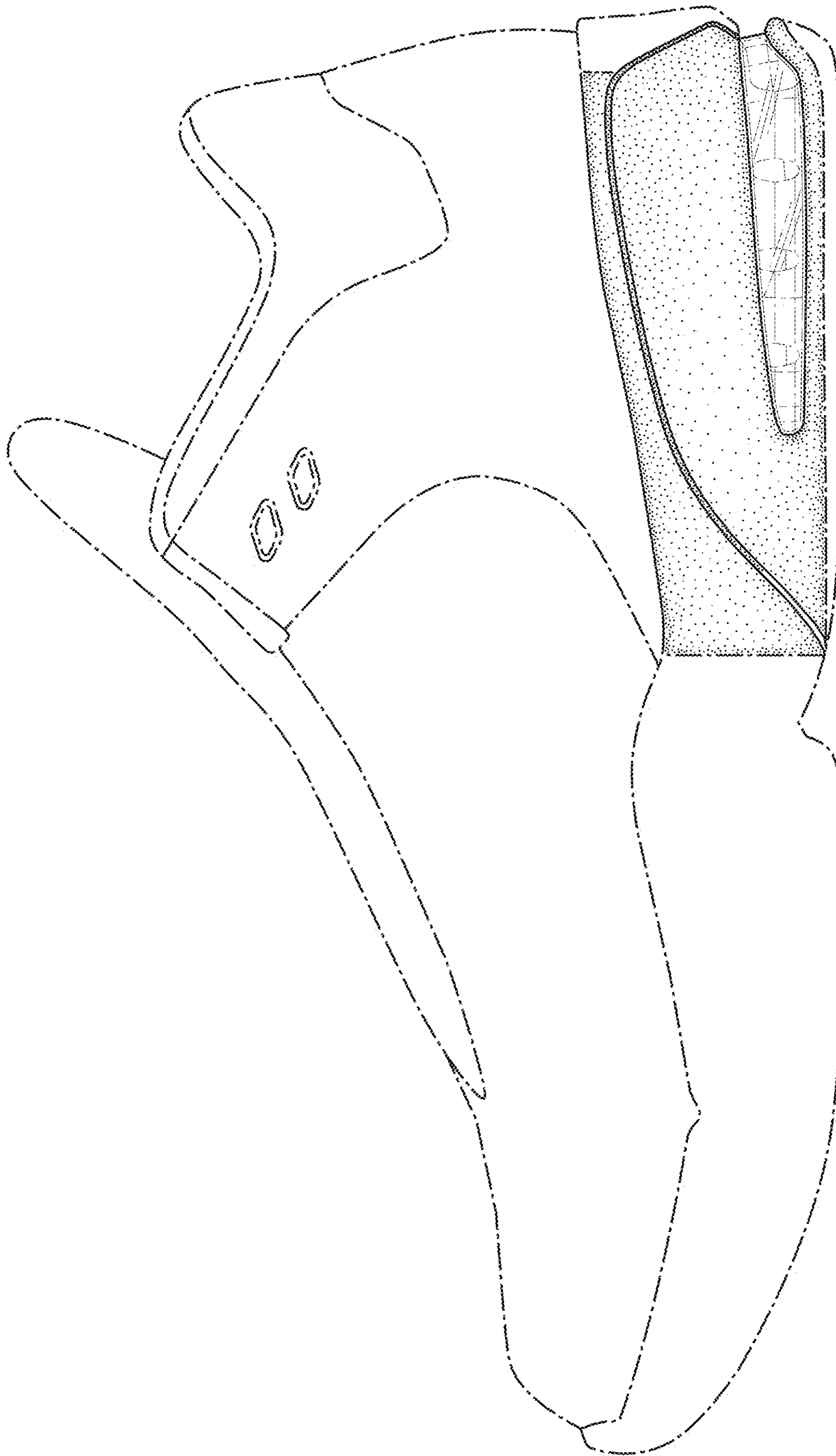


FIG. 2

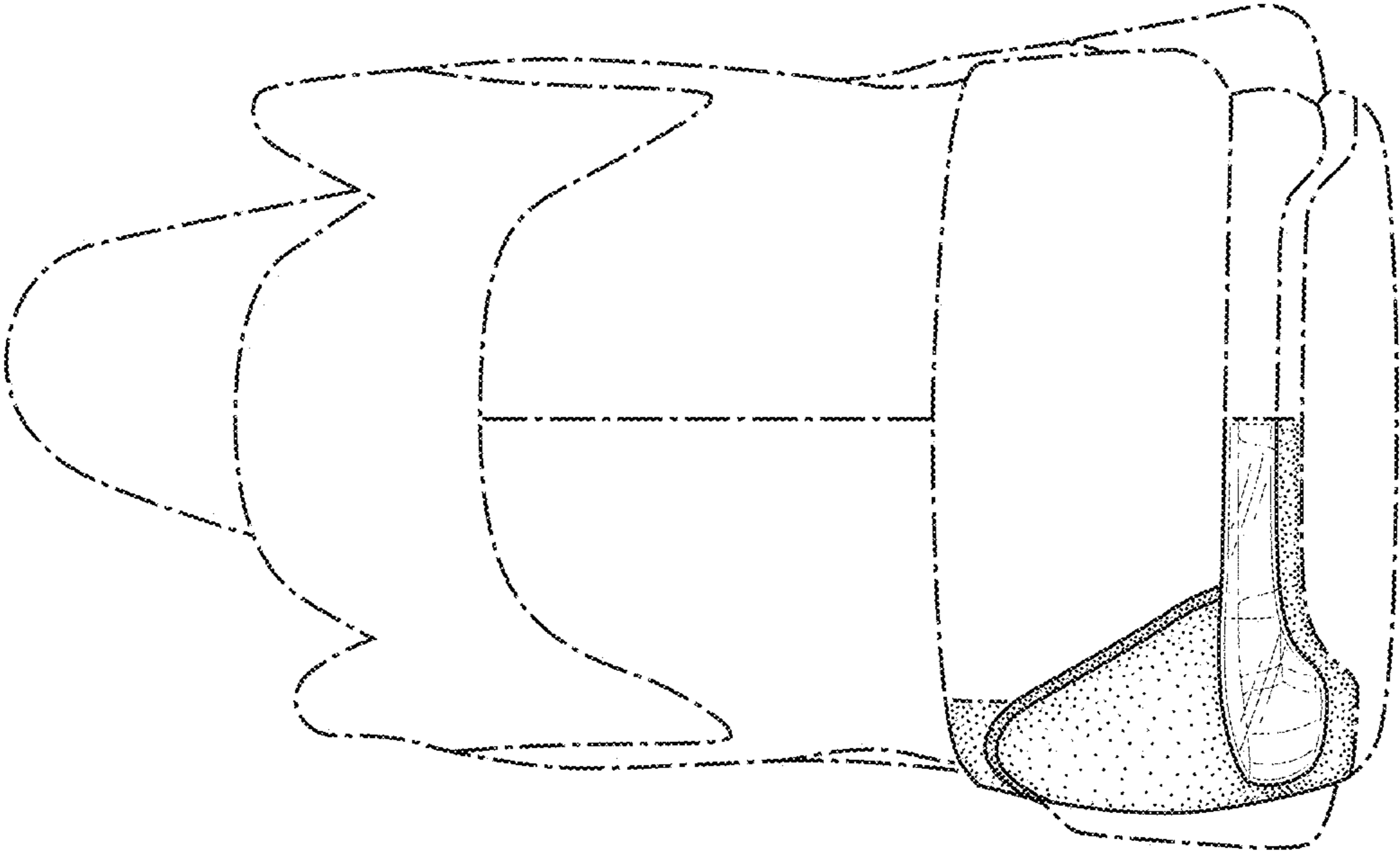


FIG. 3