



US00D961196S

(12) **United States Design Patent** (10) **Patent No.:** **US D961,196 S**
Deng (45) **Date of Patent:** **** Aug. 23, 2022**

(54) **COMBINED HEADBAND AND HEADPHONES**
(71) Applicant: **SHENZHEN XIWXI TECHNOLOGY CO., LTD**, Shenzhen (CN)
(72) Inventor: **Xiuhong Deng**, Shaoyang (CN)
(73) Assignee: **SHENZHEN XIWXI TECHNOLOGY CO., LTD**, Shenzhen (CN)
(**) Term: **15 Years**

(21) Appl. No.: **29/766,791**
(22) Filed: **Jan. 19, 2021**
(51) **LOC (13) Cl.** **02-03**
(52) **U.S. Cl.**
USPC **D2/875**; D14/192
(58) **Field of Classification Search**
USPC D2/865, 866, 867, 869, 871, 874, 875, D2/877, 881, 883, 884, 891, 894; D14/192, 205; D26/39; D28/41
CPC .. A42B 1/00; A42B 1/006; A42B 1/04; A42B 1/041; A42B 1/045; A42B 1/08; A42B 1/22; A42B 1/241; A42B 1/245; A42B 3/00; A42C 5/02; H04R 1/02; H04R 1/105; H04R 5/0335; A45D 8/40
See application file for complete search history.

(56) **References Cited**
U.S. PATENT DOCUMENTS
D262,455 S * 12/1981 Bulmash D2/866
4,727,599 A * 2/1988 Rappaport H04R 5/0335
455/352

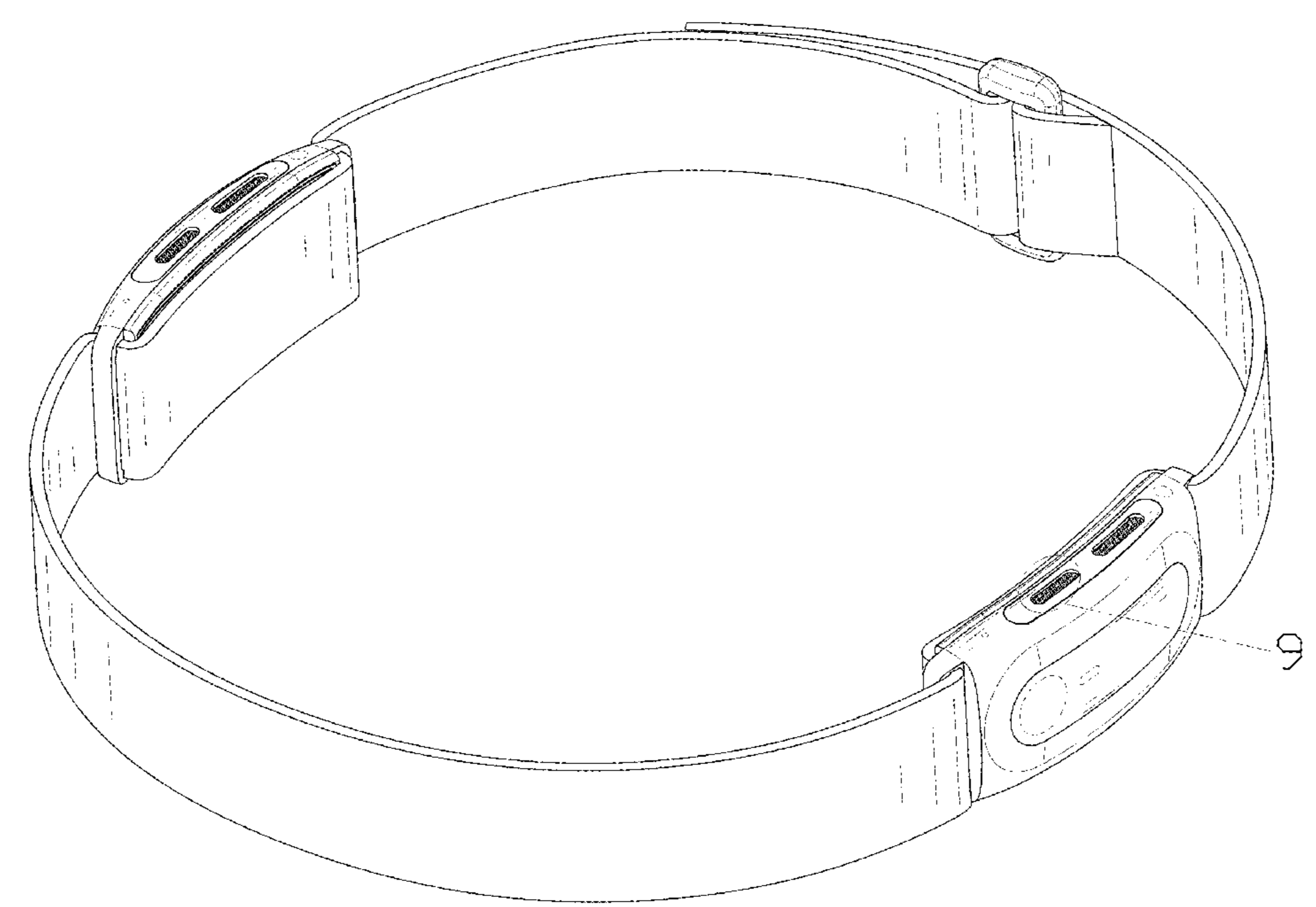
D533,954 S * 12/2006 Opolka D26/39
8,111,859 B2 * 2/2012 Phillips H04R 5/0335
381/376
D693,061 S * 11/2013 Price D28/41
9,143,854 B2 * 9/2015 Alao H04R 5/0335
D747,696 S * 1/2016 Hardi D14/205
D824,059 S * 7/2018 Inskeep D26/39
D939,747 S * 12/2021 Xu F21L 4/00
D26/39
D940,684 S * 1/2022 Snow D14/223
2006/0185062 A1 * 8/2006 Peng H04R 5/0335
2/209.13
2008/0044052 A1 * 2/2008 Whipple H04R 1/105
381/376
2022/0103929 A1 * 3/2022 Deng H04R 1/1066
* cited by examiner

Primary Examiner — Jasmine Mlinarcik

(57) **CLAIM**
The ornamental design for a combined headband and headphones, as shown and described.

DESCRIPTION
FIG. 1 is a perspective view of a combined headband and headphones showing my new design;
FIG. 2 is another perspective view thereof;
FIG. 3 is a front elevational view thereof;
FIG. 4 is a rear elevational view thereof;
FIG. 5 is a left side elevational view thereof;
FIG. 6 is a right side elevational view thereof;
FIG. 7 is a top plan view thereof;
FIG. 8 is a bottom plan view thereof; and,
FIG. 9 is an enlarged view of portion 9 shown in FIG. 1.
The broken lines in the drawings depict portions of the combined headband and headphones that form no part of the claimed design.

1 Claim, 9 Drawing Sheets



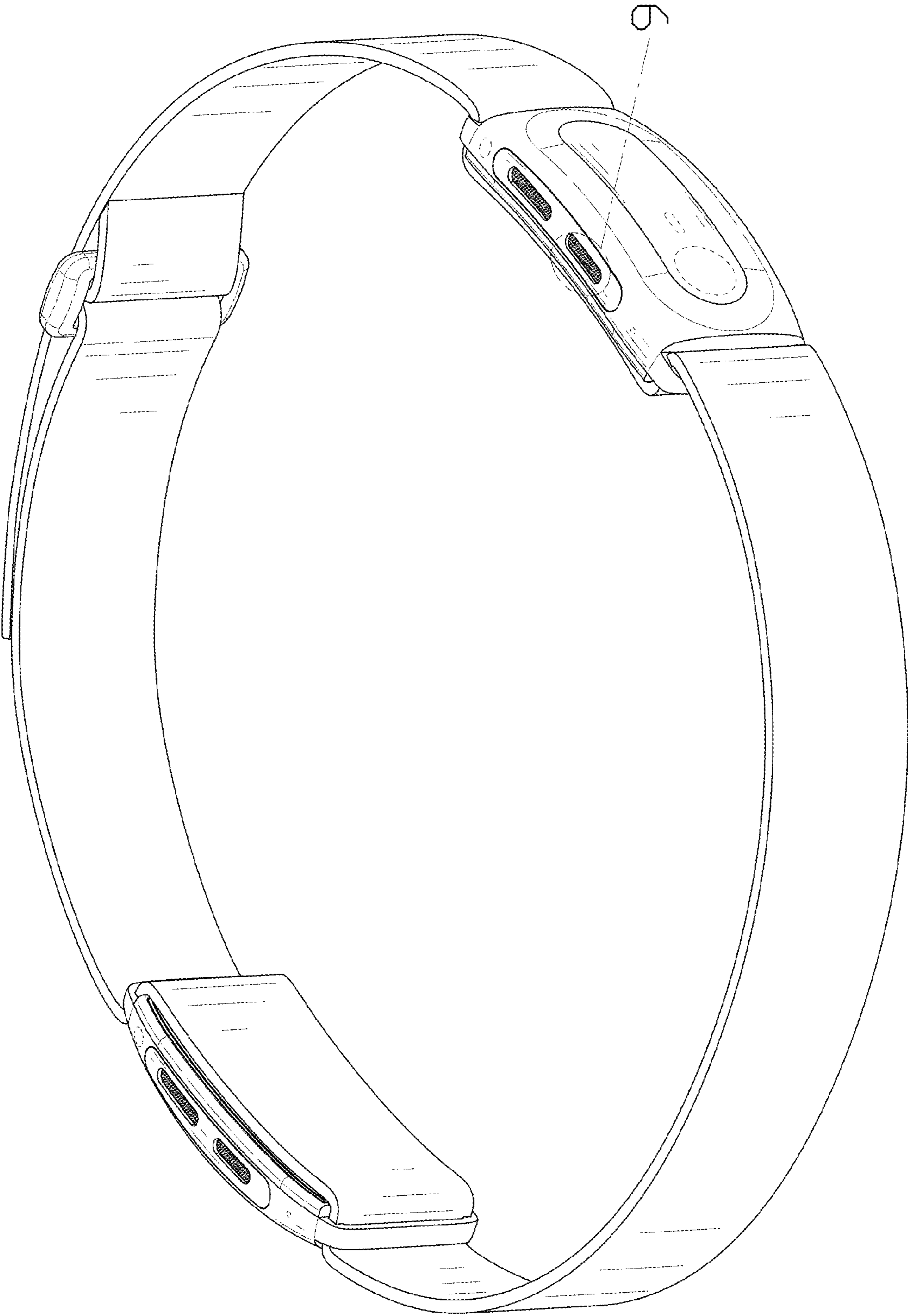


FIG. 1

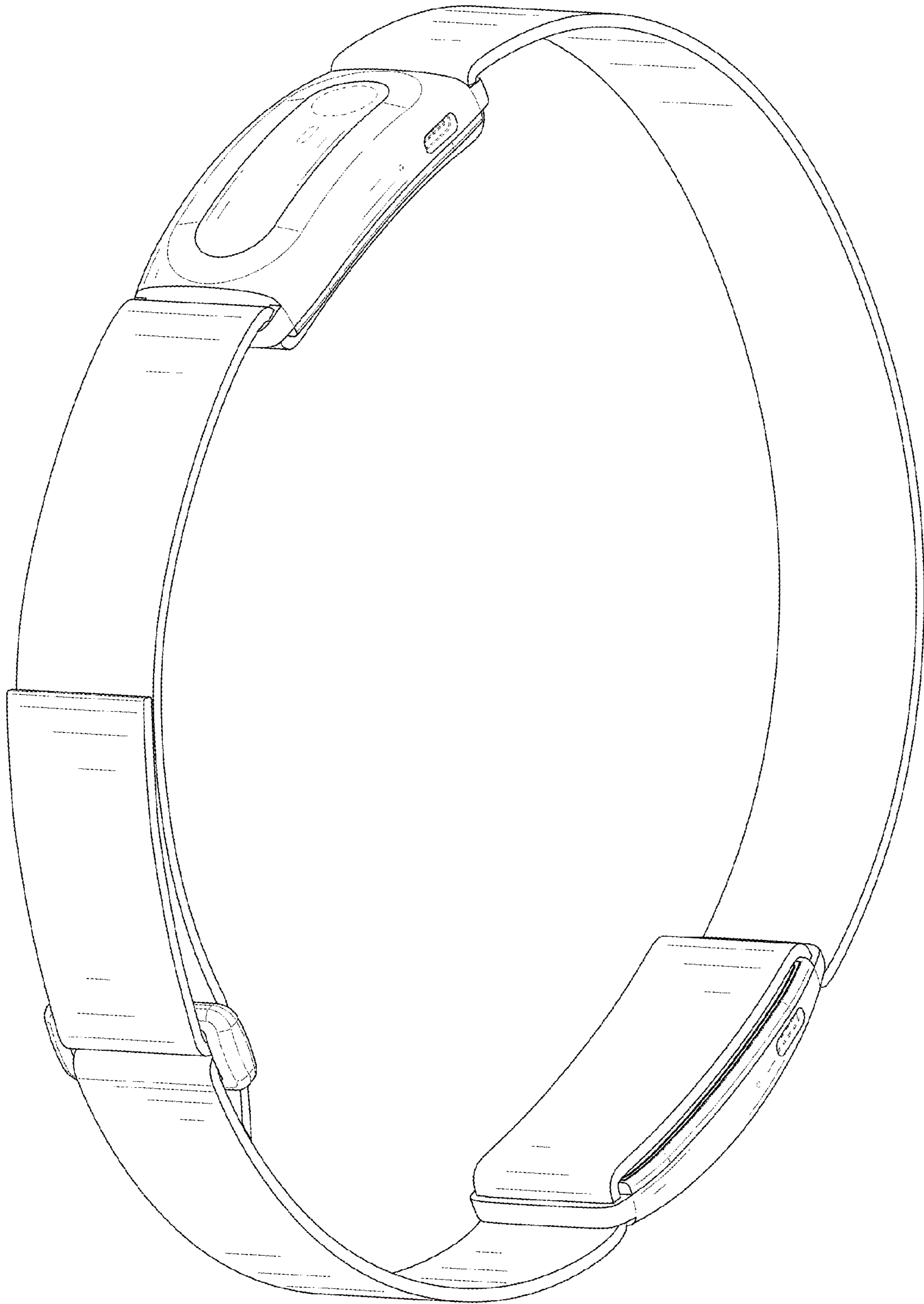


FIG. 2

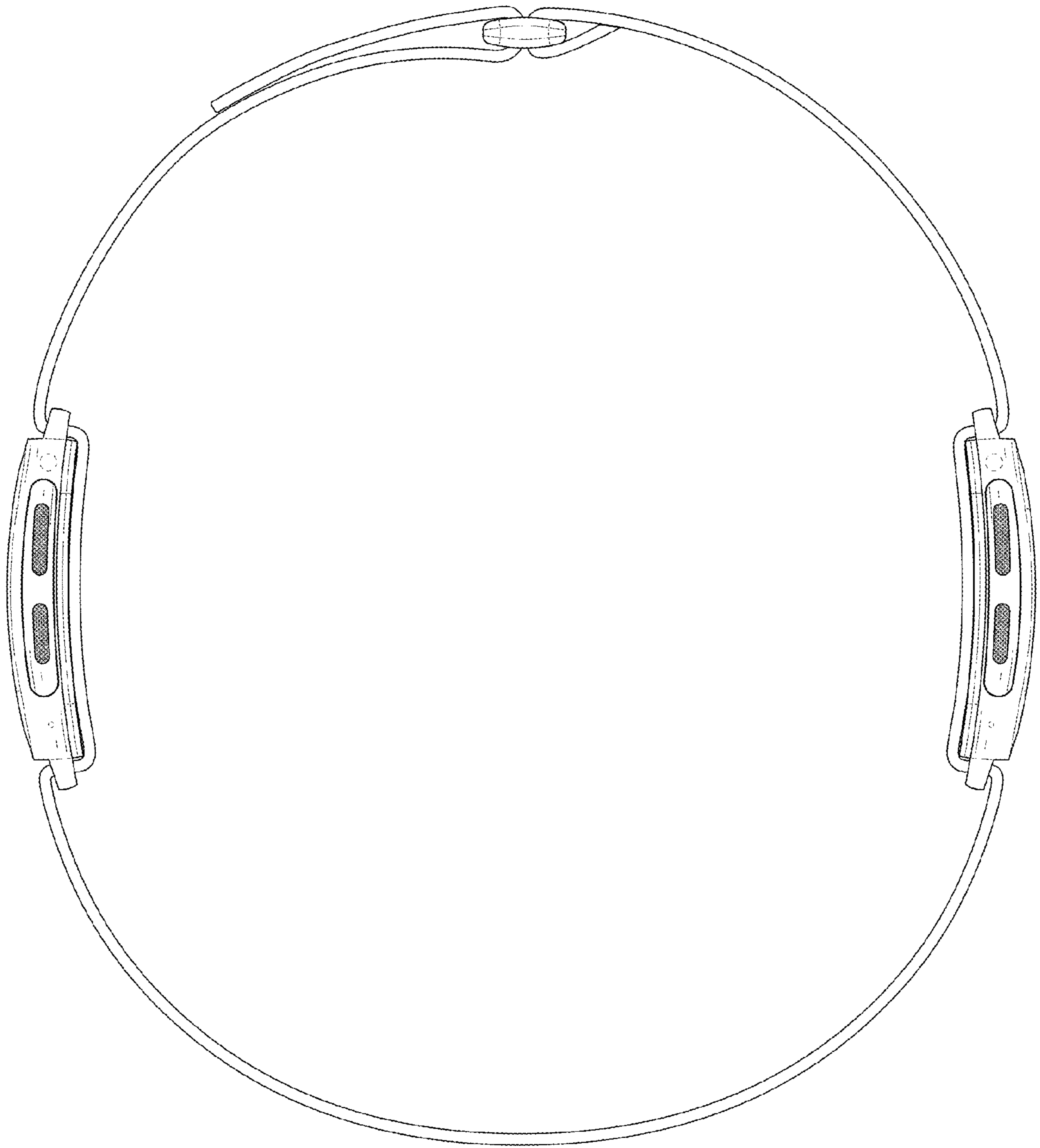


FIG. 3

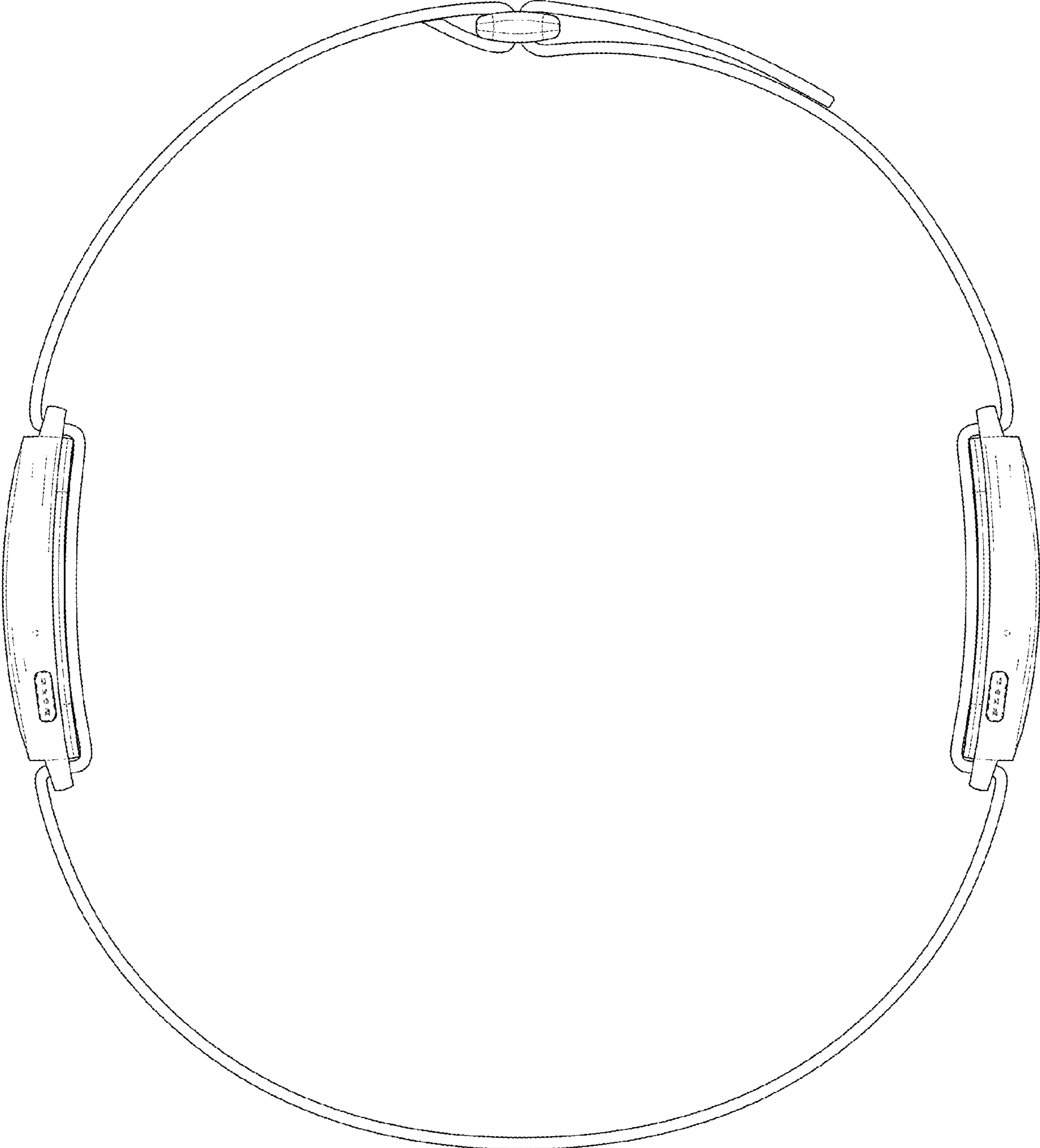


FIG. 4

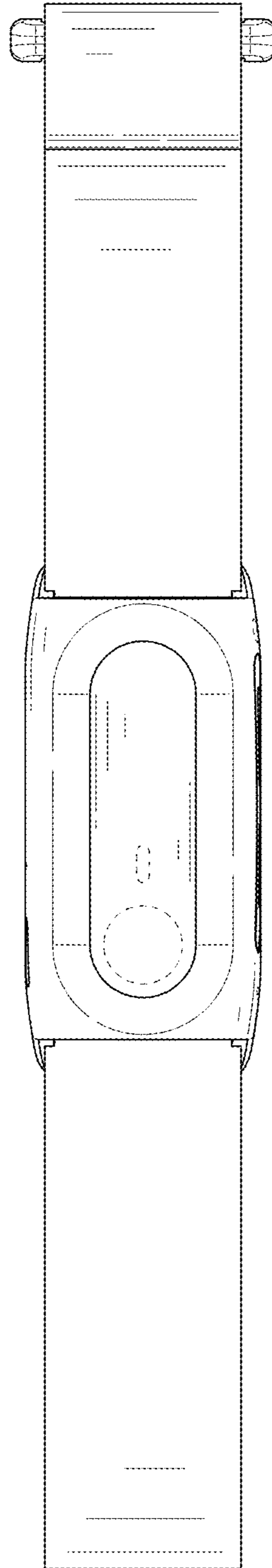


FIG. 5

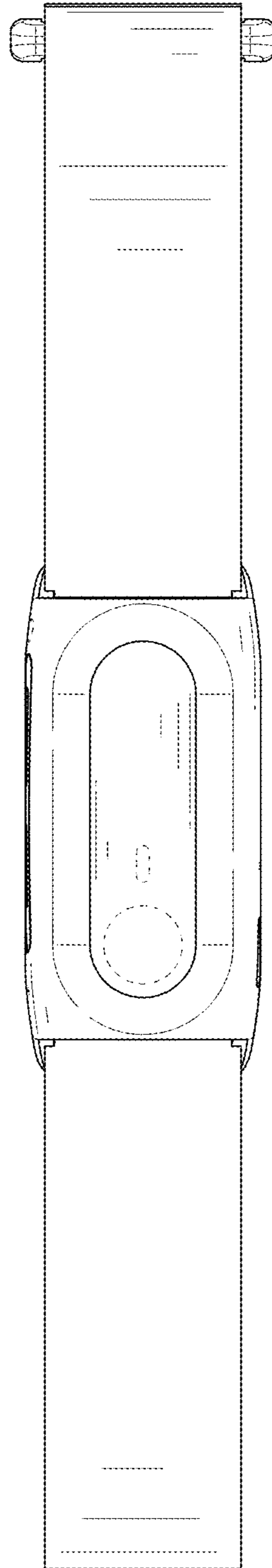


FIG. 6

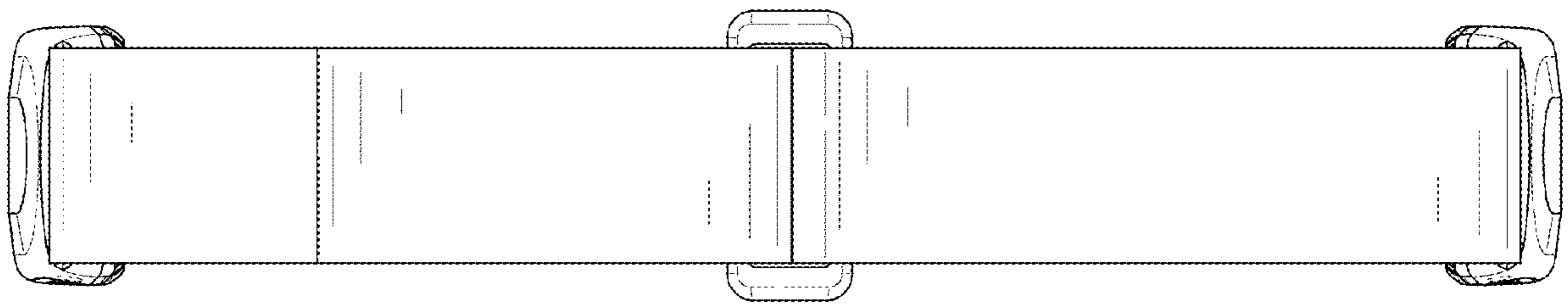


FIG. 7

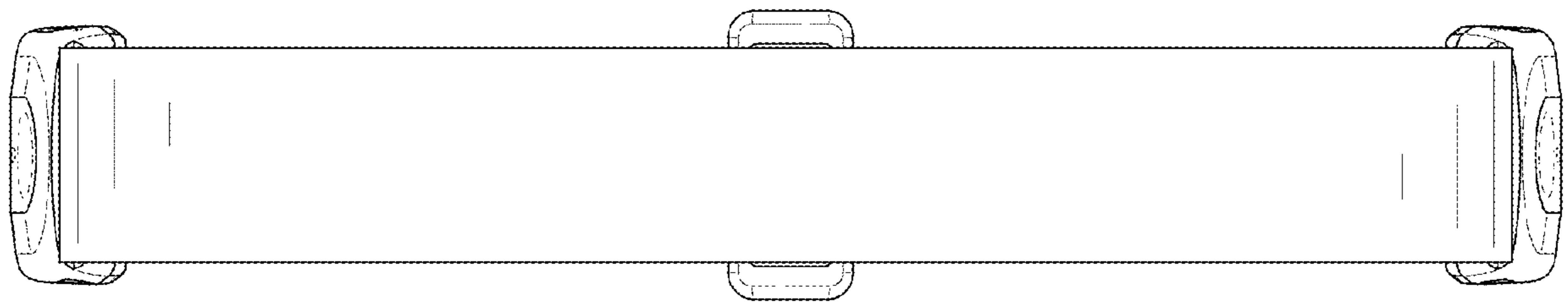


FIG. 8

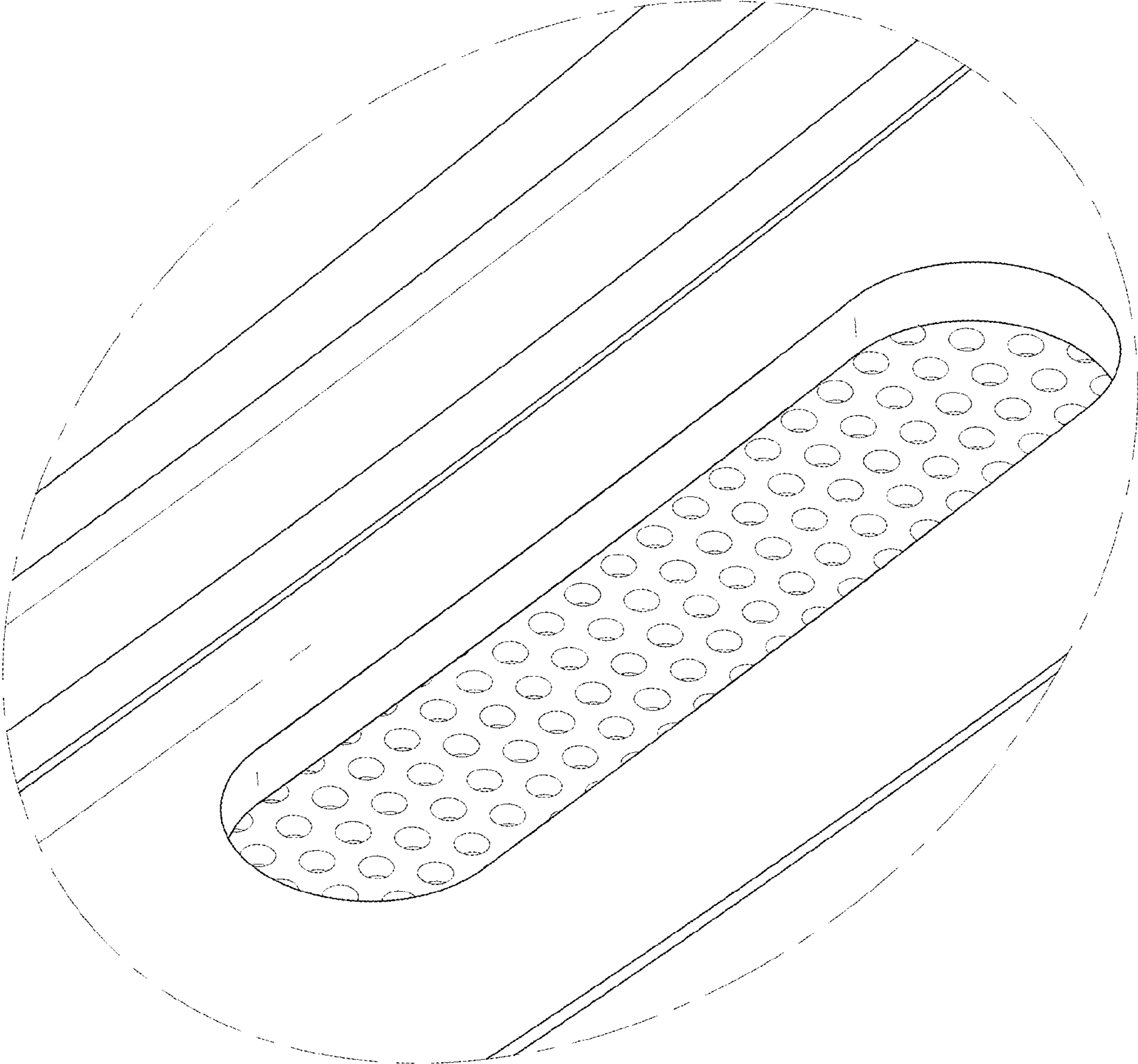


FIG. 9