



US00D961195S

(12) **United States Design Patent** (10) **Patent No.:** **US D961,195 S**
Garcia (45) **Date of Patent:** **** Aug. 23, 2022**

(54) **HAT MASK**
(71) Applicant: **Anthony John Garcia**, Lakewood, CO (US)
(72) Inventor: **Anthony John Garcia**, Lakewood, CO (US)

D453,608 S * 2/2002 Park D2/866
D668,435 S * 10/2012 Smith D2/866
D692,186 S * 10/2013 Phillips D29/108
D734,002 S * 7/2015 Dorsey D2/884
D755,483 S * 5/2016 Arenson D2/886
D815,809 S * 4/2018 Allcock D2/882
2014/0230129 A1* 8/2014 Viviani A42B 1/24
2/209.13

(**) Term: **15 Years**

* cited by examiner

(21) Appl. No.: **29/738,294**

Primary Examiner — Jasmine Mlinarcik

(22) Filed: **Jun. 16, 2020**

(57) **CLAIM**

(51) **LOC (13) Cl.** **02-03**

The ornamental design for a hat mask, as shown and described.

(52) **U.S. Cl.**
USPC **D2/866**

DESCRIPTION

(58) **Field of Classification Search**
USPC D2/865, 866, 867, 868, 869, 870, 872, D2/873, 875, 876, 878, 879, 881, 882, D2/883, 891, 894, 895; D29/109, 110; D30/145
CPC A42B 1/00; A42B 1/004; A42B 1/006; A42B 1/008; A42B 1/012; A42B 1/014; A42B 1/018; A42B 1/0181; A42B 1/0182; A42B 1/0184; A42B 1/0186; A42B 1/0187; A42B 1/0195; A42B 1/02; A42B 1/04; A42B 1/06; A42B 1/205; A42B 1/22; A42B 1/24; A42B 1/248; A42B 3/00; A42B 3/04; A42B 3/0406; A42B 3/18; A42B 3/20; A42B 3/225; A42B 5/00; A61F 9/04; A61F 9/045; A61F 9/06

FIG. 1 is a top perspective view of a hat mask showing my new design;
FIG. 2 is a bottom perspective view thereof;
FIG. 3 is a front elevated view thereof;
FIG. 4 is a rear elevated view thereof;
FIG. 5 is a top plan view thereof;
FIG. 6 is a bottom plan view thereof;
FIG. 7 is a right elevated view thereof;
FIG. 8 is a left elevated view thereof;
FIG. 9 is a cross-sectional view thereof taken along line 9-9 of FIG. 4;
FIG. 10 is a cross-sectional view thereof taken along line 10-10 of FIG. 4; and,
FIG. 11 is a top perspective view thereof, showing the hat mask in a mask configuration.

See application file for complete search history.

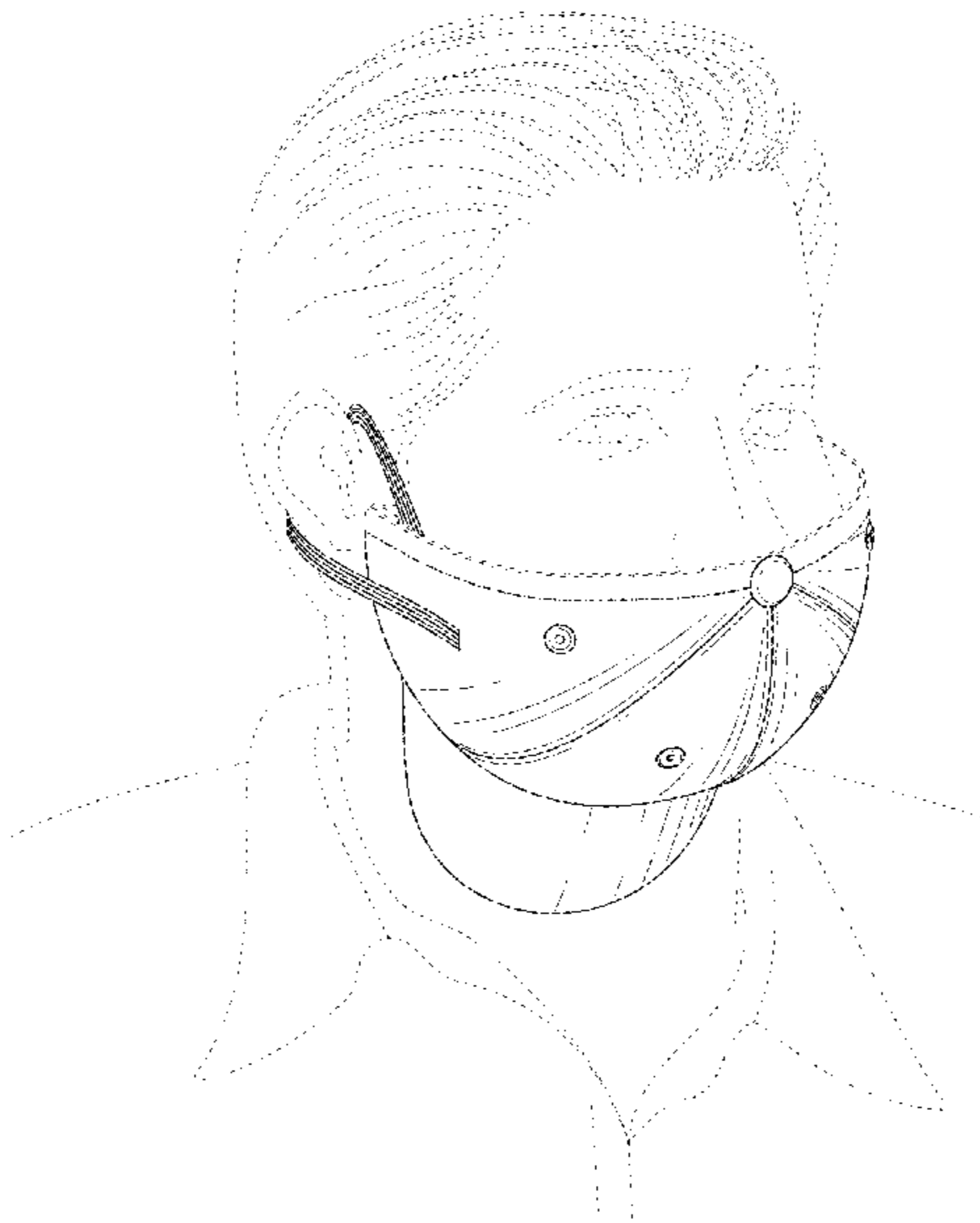
The dash-dash broken line showing of the hat depict the article environment associated with the claimed design and form no part of the claimed design. The dash-dot-dash broken lines illustrate a boundary line to the claimed design and form no part of the claimed design. The person outlined by broken lines assist to illustrate the hat mask in a position of use and form no part of the claimed design.

(56) **References Cited**

U.S. PATENT DOCUMENTS

5,031,388 A * 7/1991 Ode A01K 13/006
54/80.2
D319,116 S * 8/1991 Ode D30/145
D404,846 S * 1/1999 Day D29/106

1 Claim, 11 Drawing Sheets



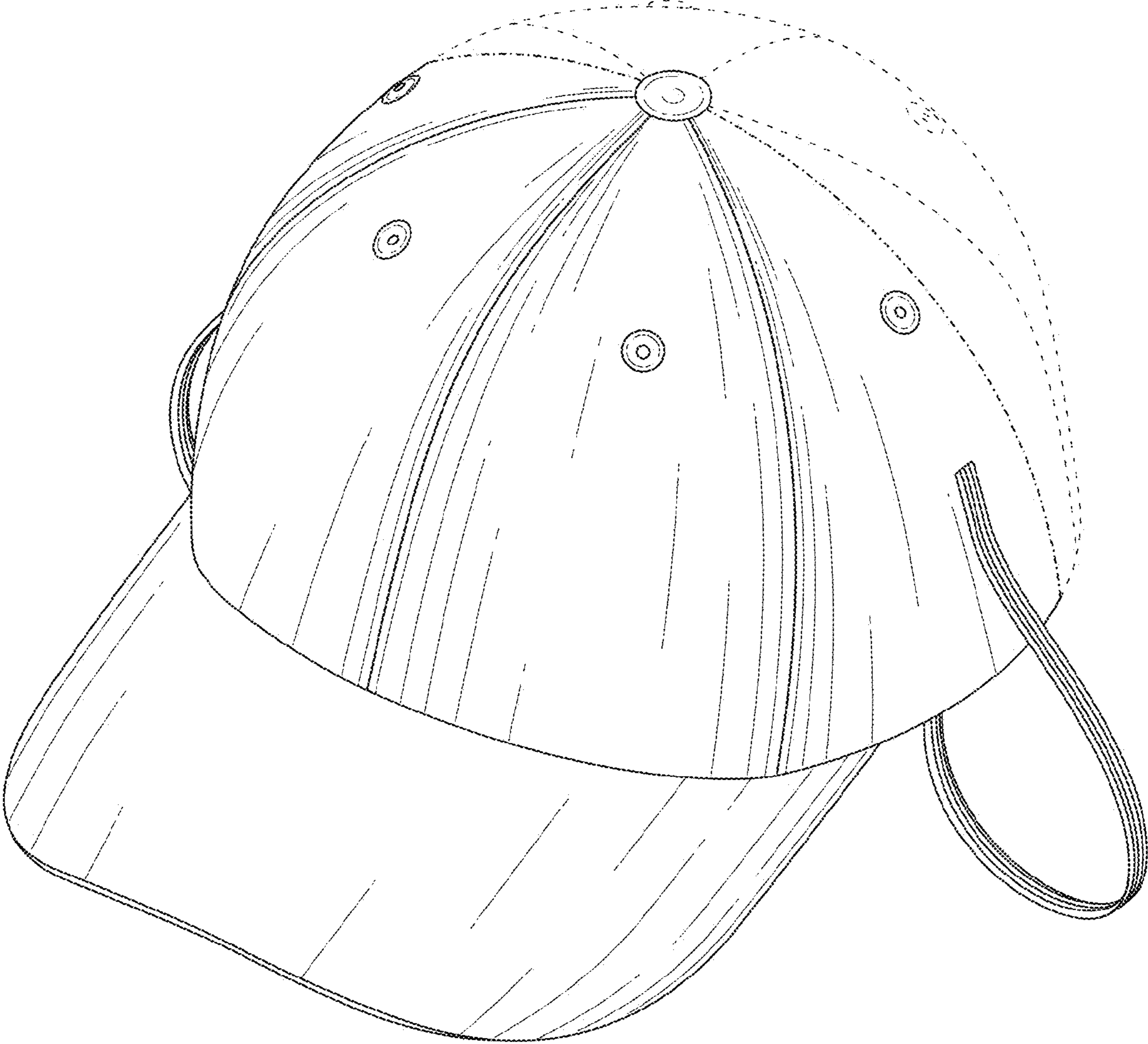


FIG. 1

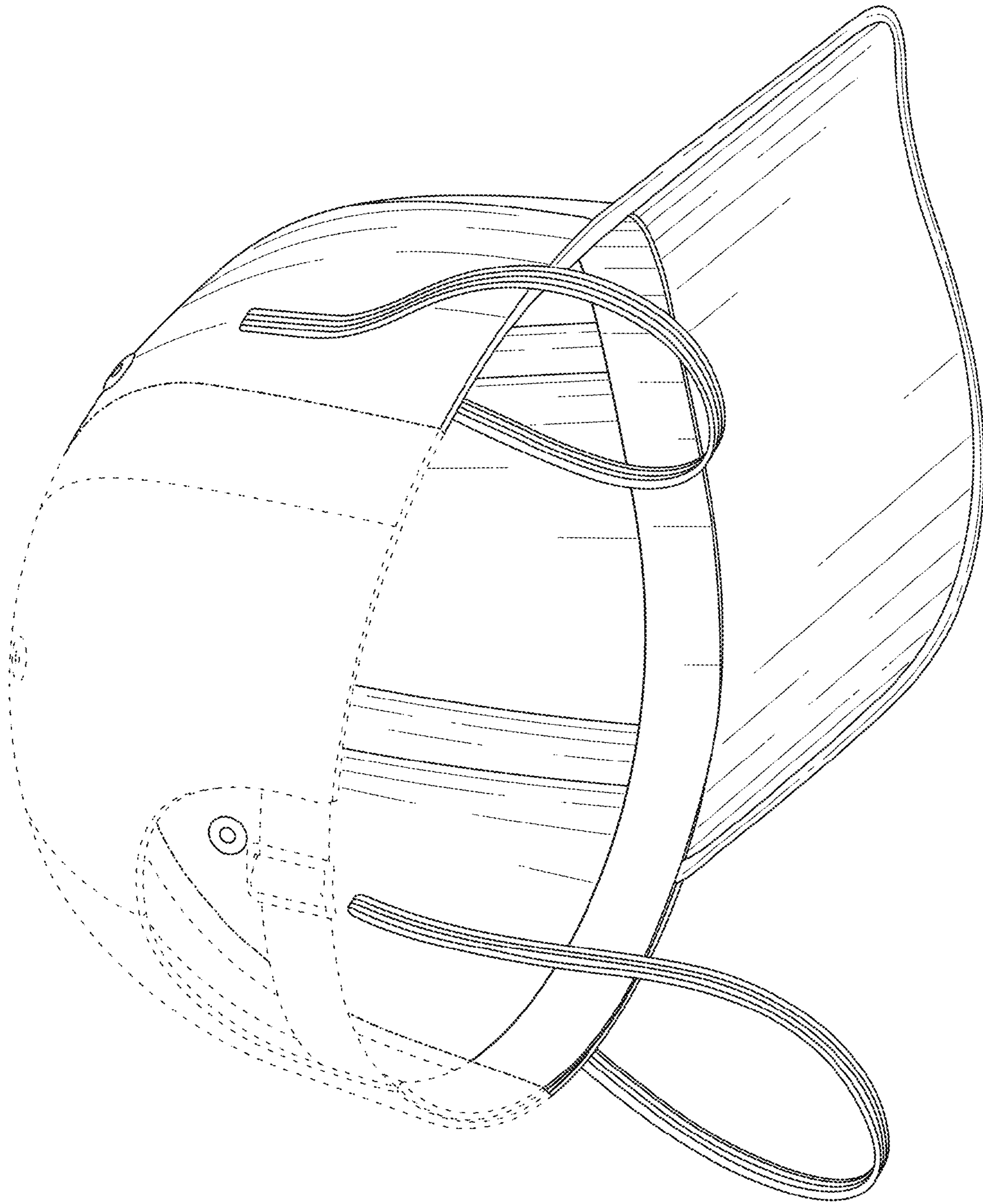


FIG. 2

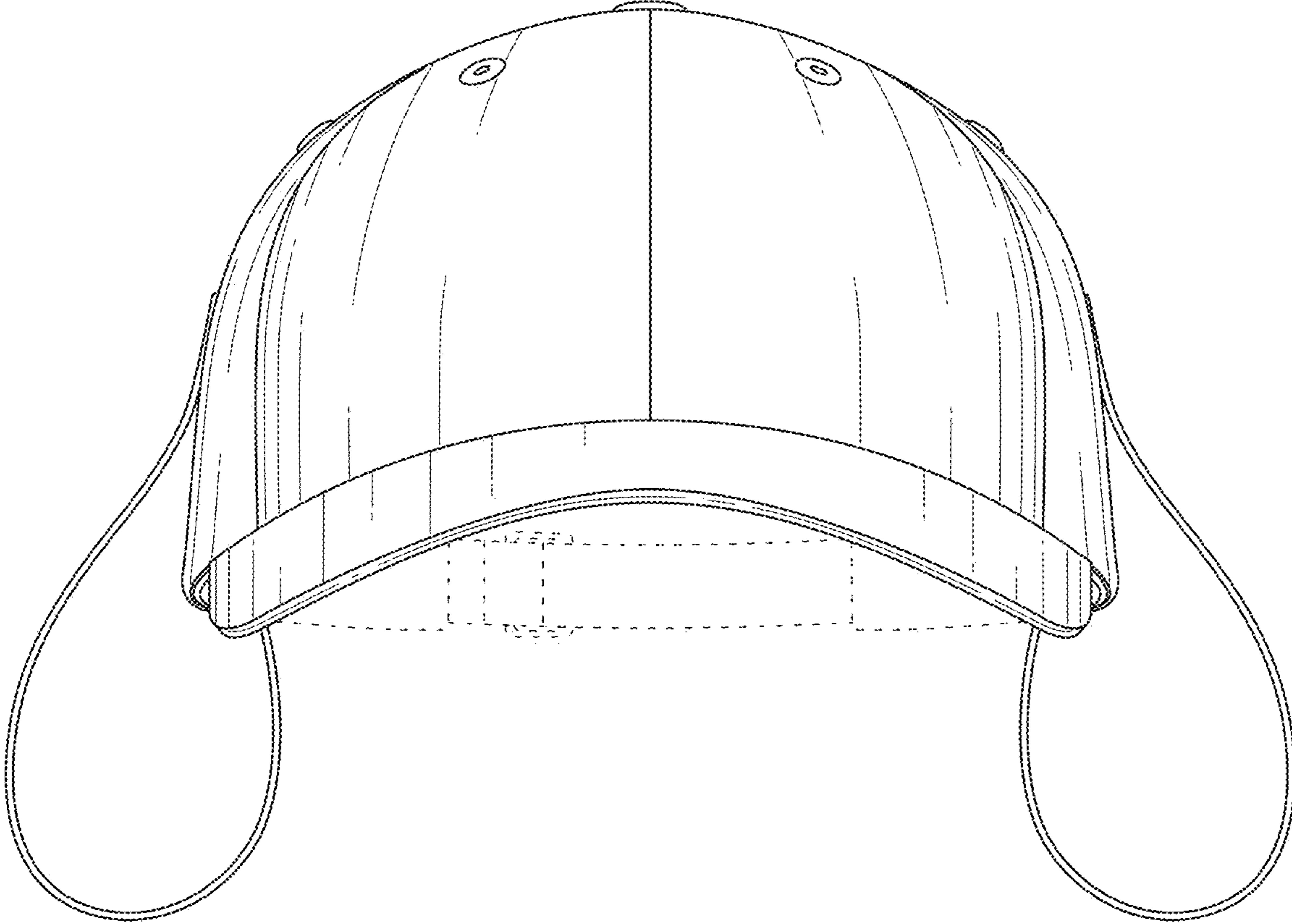


FIG. 3

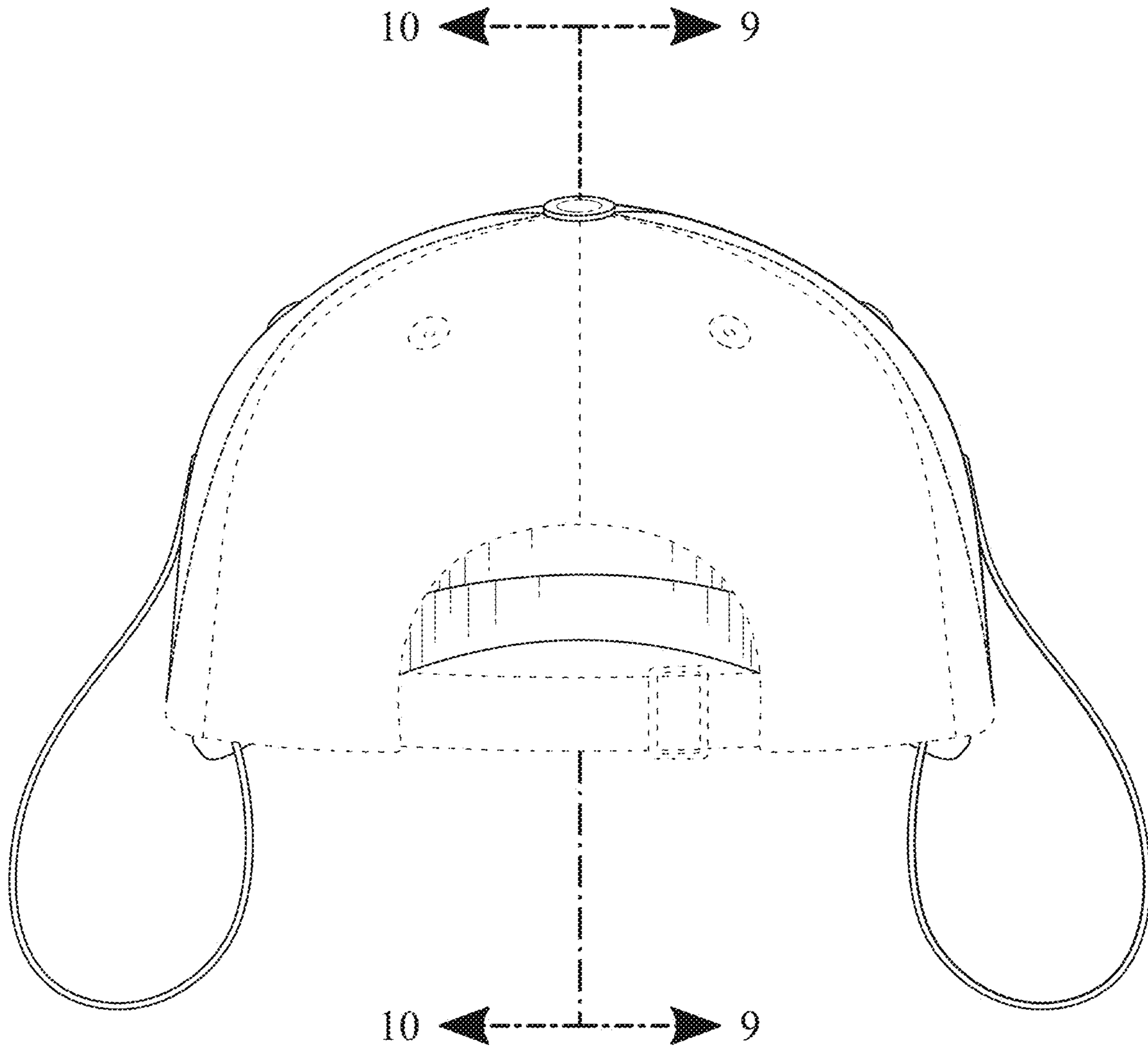


FIG. 4

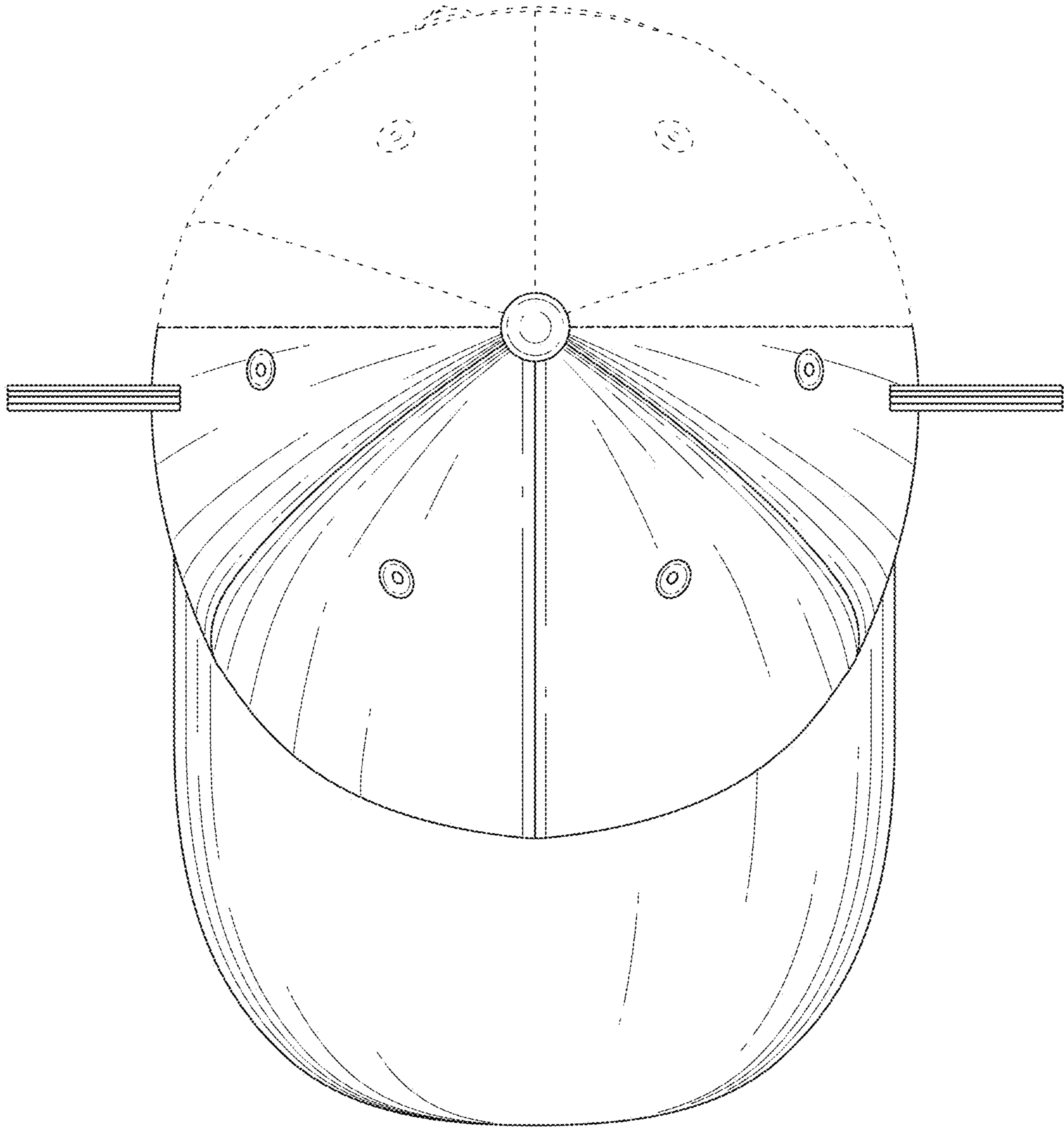


FIG. 5

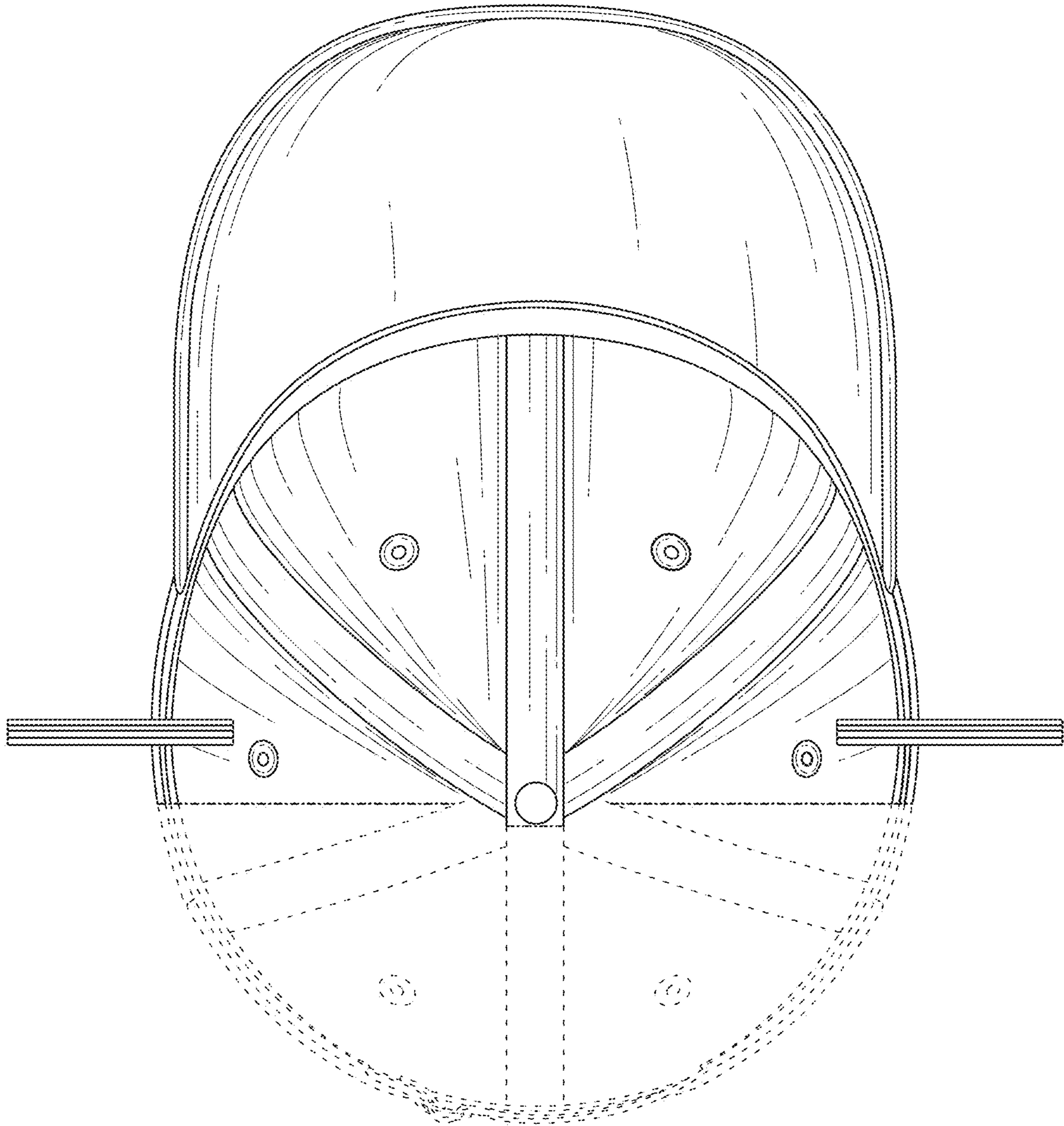


FIG. 6

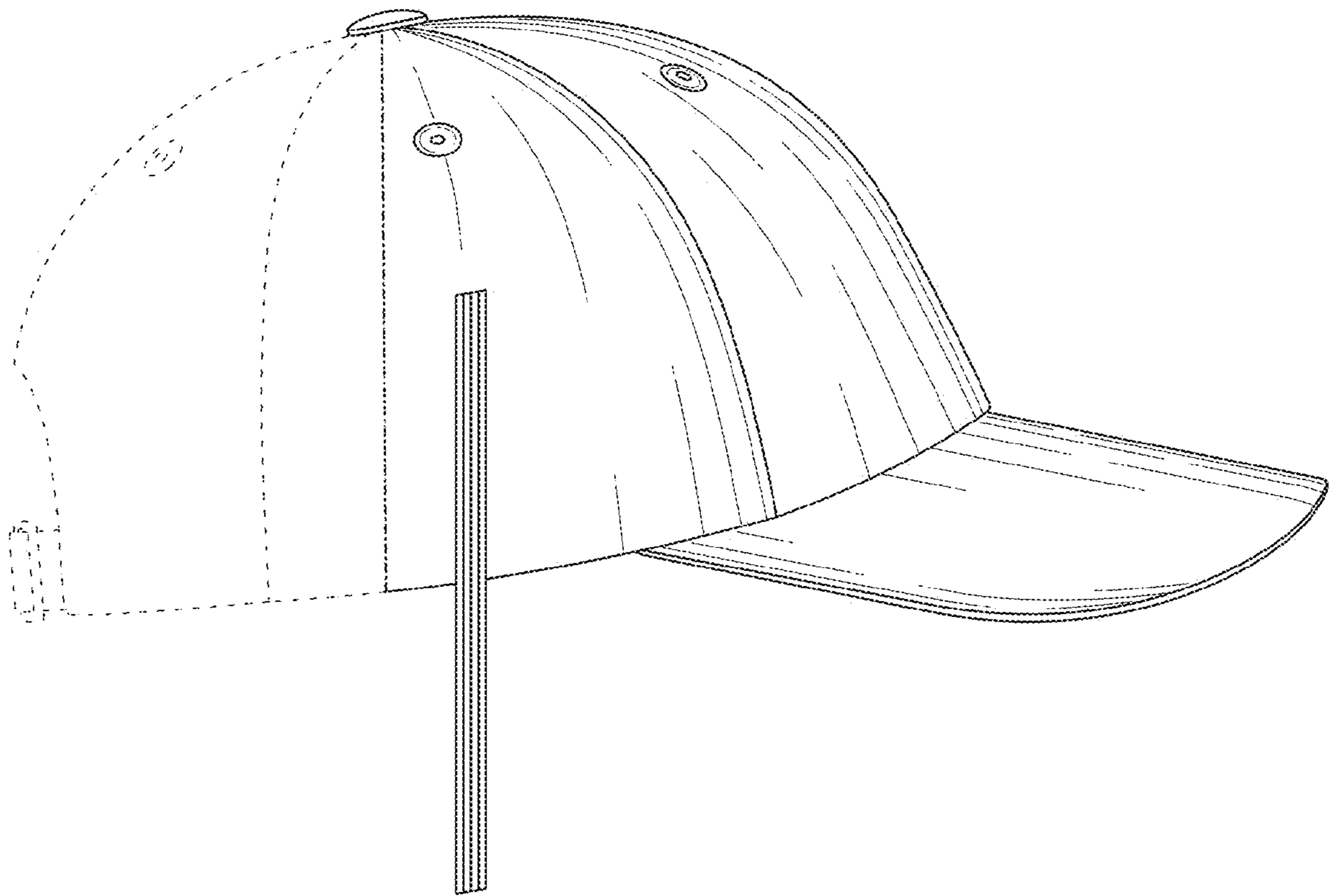


FIG. 7

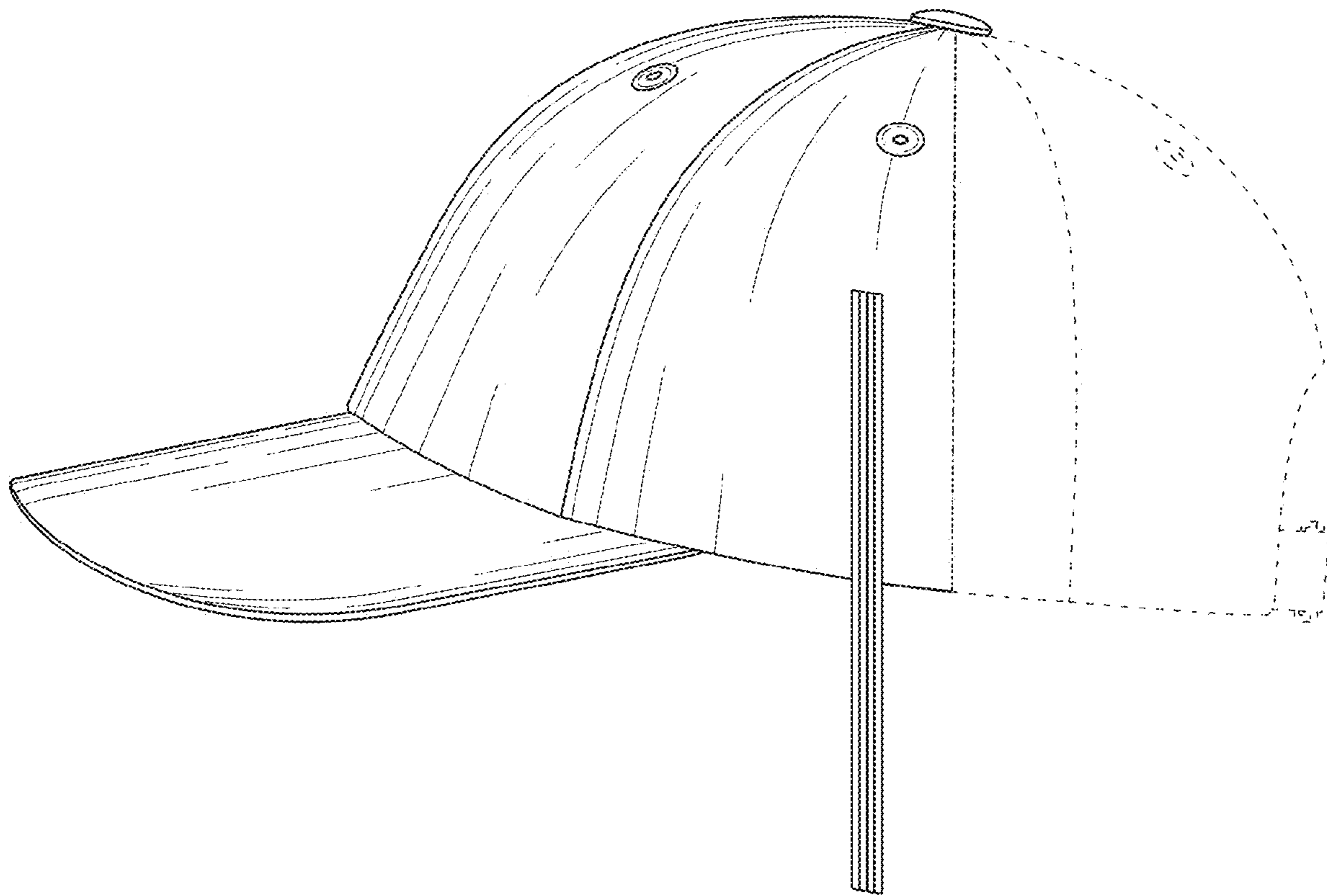


FIG. 8

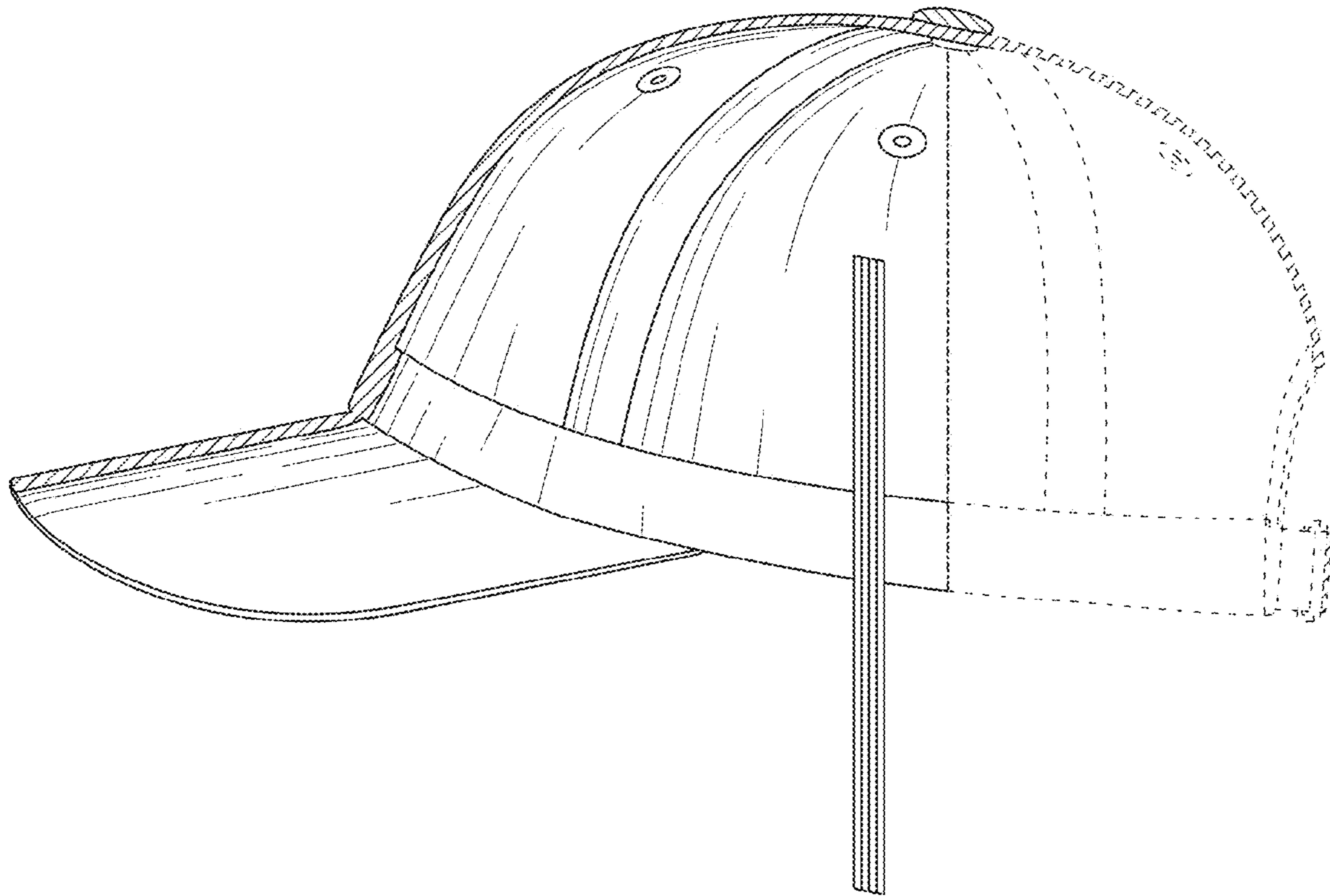


FIG. 9

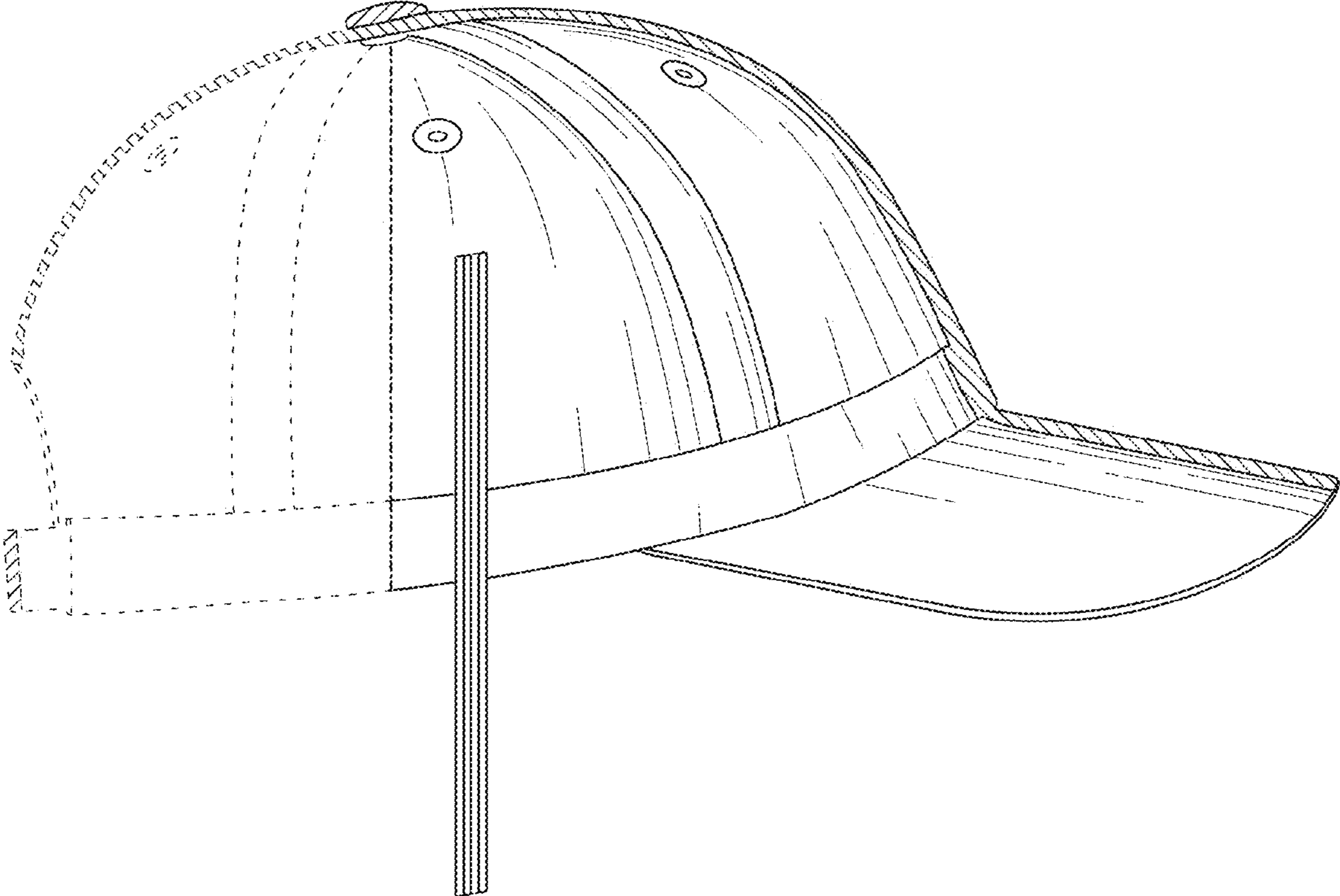


FIG. 10

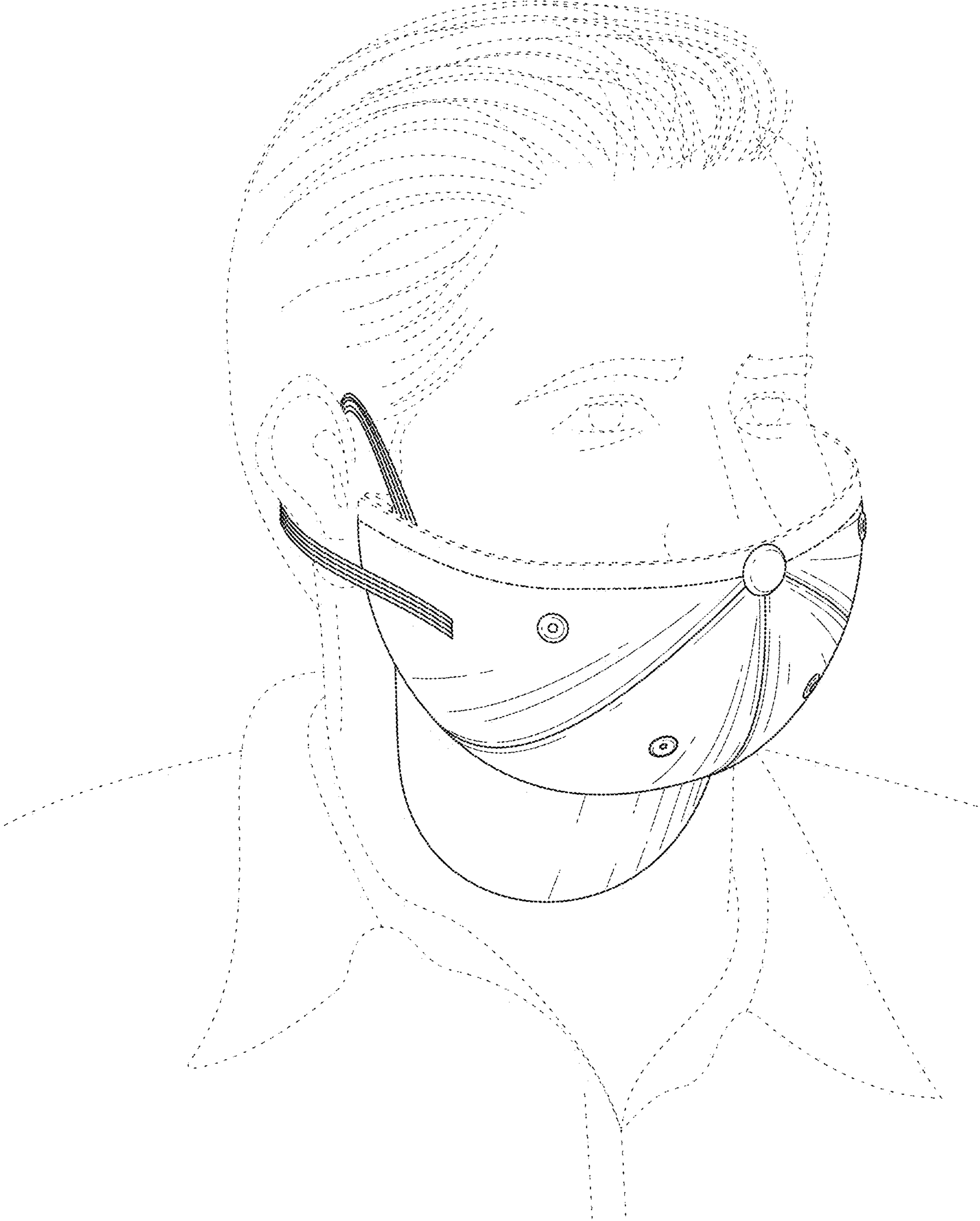


FIG. 11