



US00D961193S

(12) **United States Design Patent** (10) **Patent No.:** **US D961,193 S**  
**Klaking** (45) **Date of Patent:** **\*\* Aug. 23, 2022**

- (54) **NURSING GARMENT**
- (71) Applicant: **Lou Lou and Company**, Provo, UT (US)
- (72) Inventor: **Karen Klaking**, Provo, UT (US)
- (73) Assignee: **Lou Lou and Company**, Provo, UT (US)
- (\*\*) Term: **15 Years**
- (21) Appl. No.: **29/748,227**
- (22) Filed: **Aug. 27, 2020**
- (51) **LOC (13) Cl.** ..... **02-02**
- (52) **U.S. Cl.**  
USPC ..... **D2/853**
- (58) **Field of Classification Search**  
USPC ..... D2/840, 782, 708, 709, 853  
CPC ..... A41C 3/00; A41C 3/02  
See application file for complete search history.

(56) **References Cited**

U.S. PATENT DOCUMENTS

- 6,151,715 A \* 11/2000 Doherty ..... A41D 13/1245  
2/102
- 9,375,037 B1 \* 6/2016 Clark ..... A41D 15/00
- D871,718 S \* 1/2020 Pan ..... D2/706
- 11,096,432 B1 \* 8/2021 Klaking ..... A41D 1/215

FOREIGN PATENT DOCUMENTS

- CN 209017904 \* 6/2019

OTHER PUBLICATIONS

Coolme Maternity Nursing Top posted to attentcture.com. Available date: Sep. 9, 2019 [site visited Dec. 6, 2021] Available: <https://attentcture.com/index.php?main\_page=product\_info&products\_id=807334> (Year: 2019).\*

Ekouaer Women’s Maternity Nursing Tops for Breastfeeding posted to amazon.com. Available date: Dec. 4, 2018 [site visited Dec. 6, 2021] Available: <https://www.amazon.com/Ekouaer-Nursing-Breastfeeding-Maternity-T-Shirts/dp/B07L3VPX71?th=1>(Year: 2018).\*

Breastfeeding Dress for Women by Gaga City Store, posted to amazon.com. Available date: Apr. 9, 2020 [site visited Dec. 6, 2021] Available: <https://www.amazon.co.uk/Breastfeeding-Nursing-Pregnancy-Nightgown-Maternity/dp/B086X37V8Y> (Year: 2020).\*

Ekouaer Women’s Maternity Shirt posted to amazon.com. Available date: Dec. 4, 2018 [site visited Apr. 29, 2022] Available: <https://www.amazon.com/Ekouaer-Nursing-Breastfeeding-Maternity-T-Shirts/dp/B089DDVDNK?language=en\_US> (Year: 2018).\*

Diy Summer Shift Dress posted to bonnieandblithe.com. Available date: Jul. 5, 2017 [site visited Apr. 29, 2022] Available: <https://bonnieandblithe.com/diy-summer-shift-dress/> (Year: 2017).\*

\* cited by examiner

Primary Examiner — Kevin K Rudzinski

(57) **CLAIM**

The ornamental design for the nursing garment, as shown and described.

**DESCRIPTION**

FIG. 1 is a front view of a nursing garment in use, embodying our new design;

FIG. 2 is a front view thereof;

FIG. 3 is a top view thereof;

FIG. 4 is a bottom view thereof;

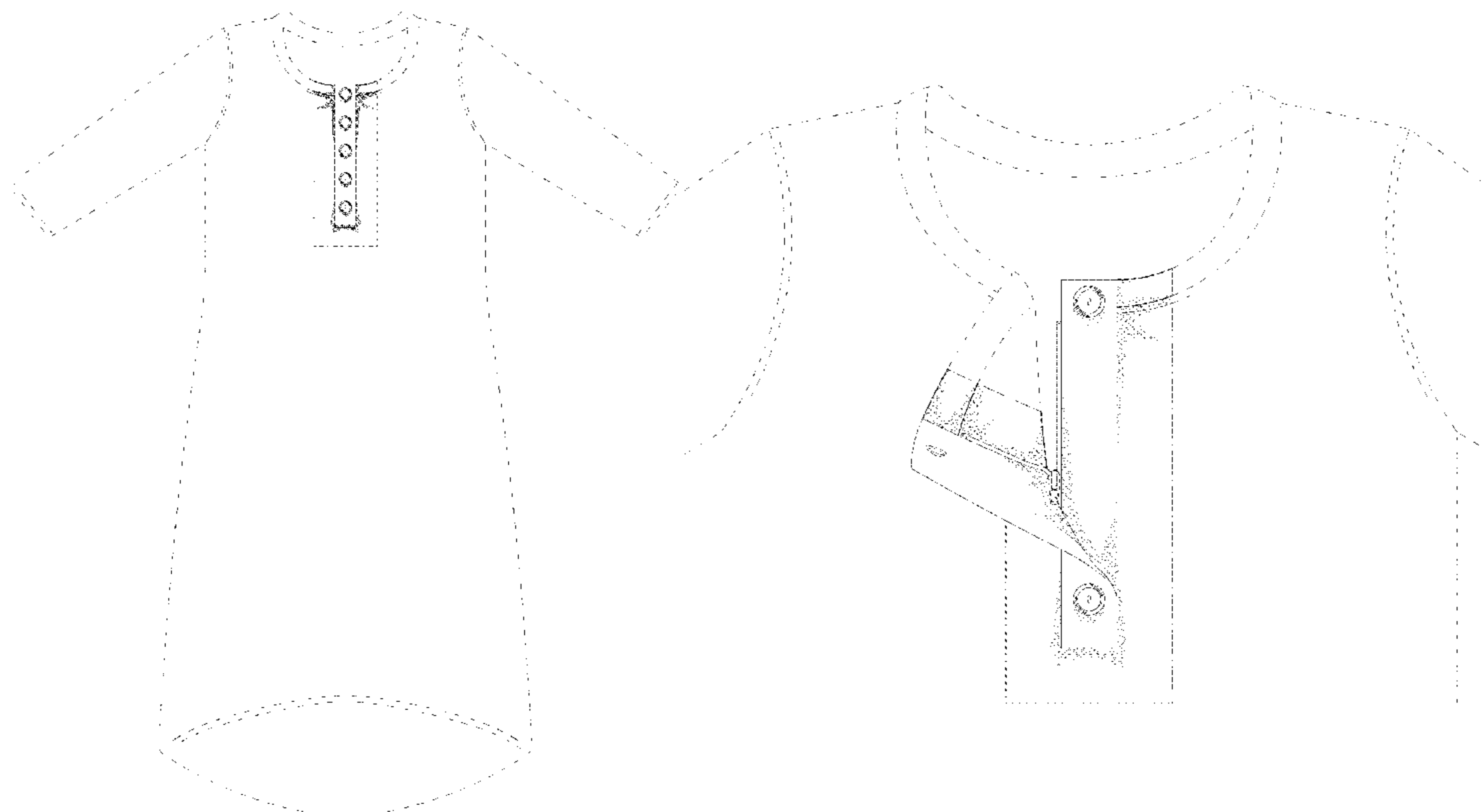
FIG. 5 left side elevational view thereof;

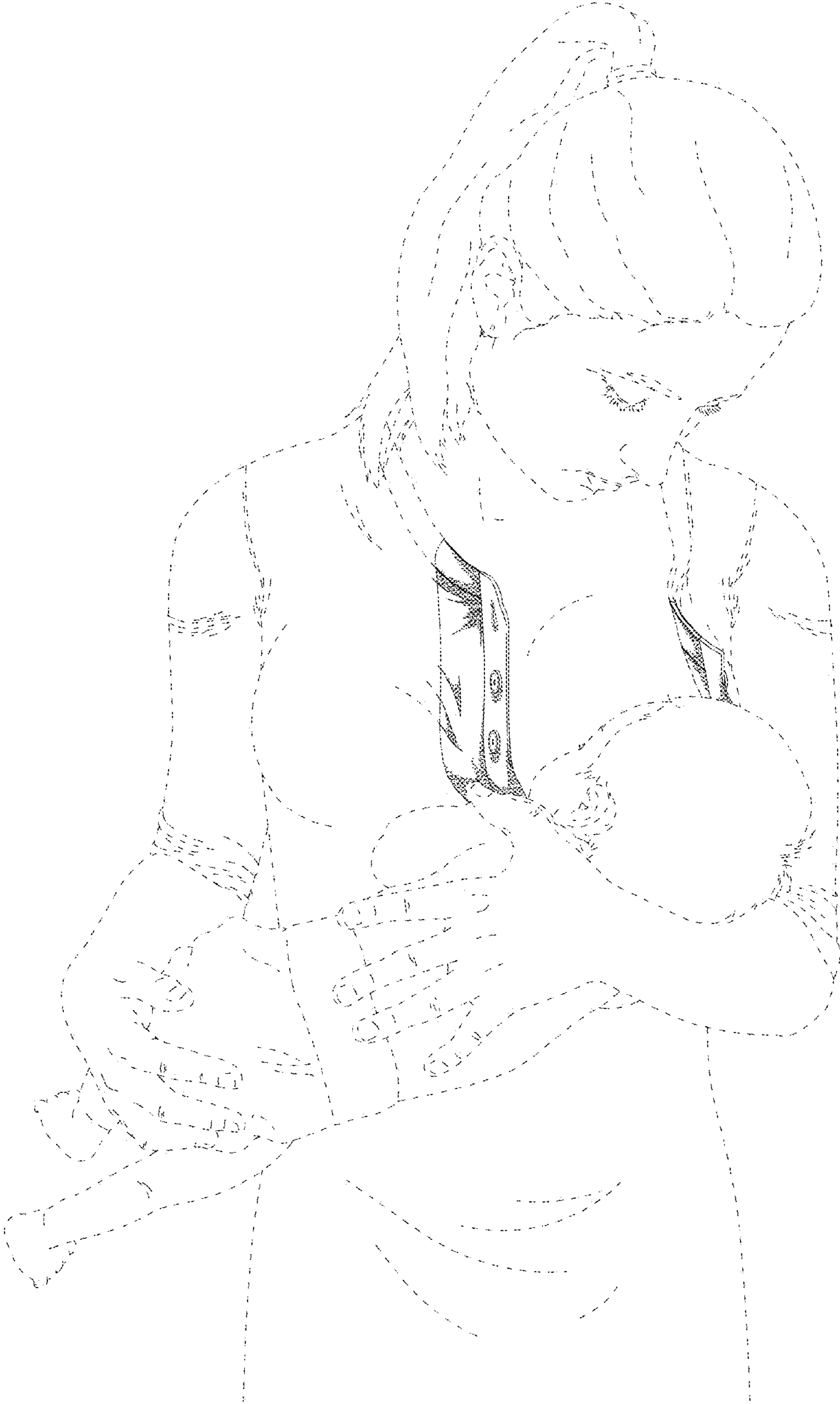
FIG. 6 right side elevational view thereof; and,

FIG. 7 is an additional front view thereof.

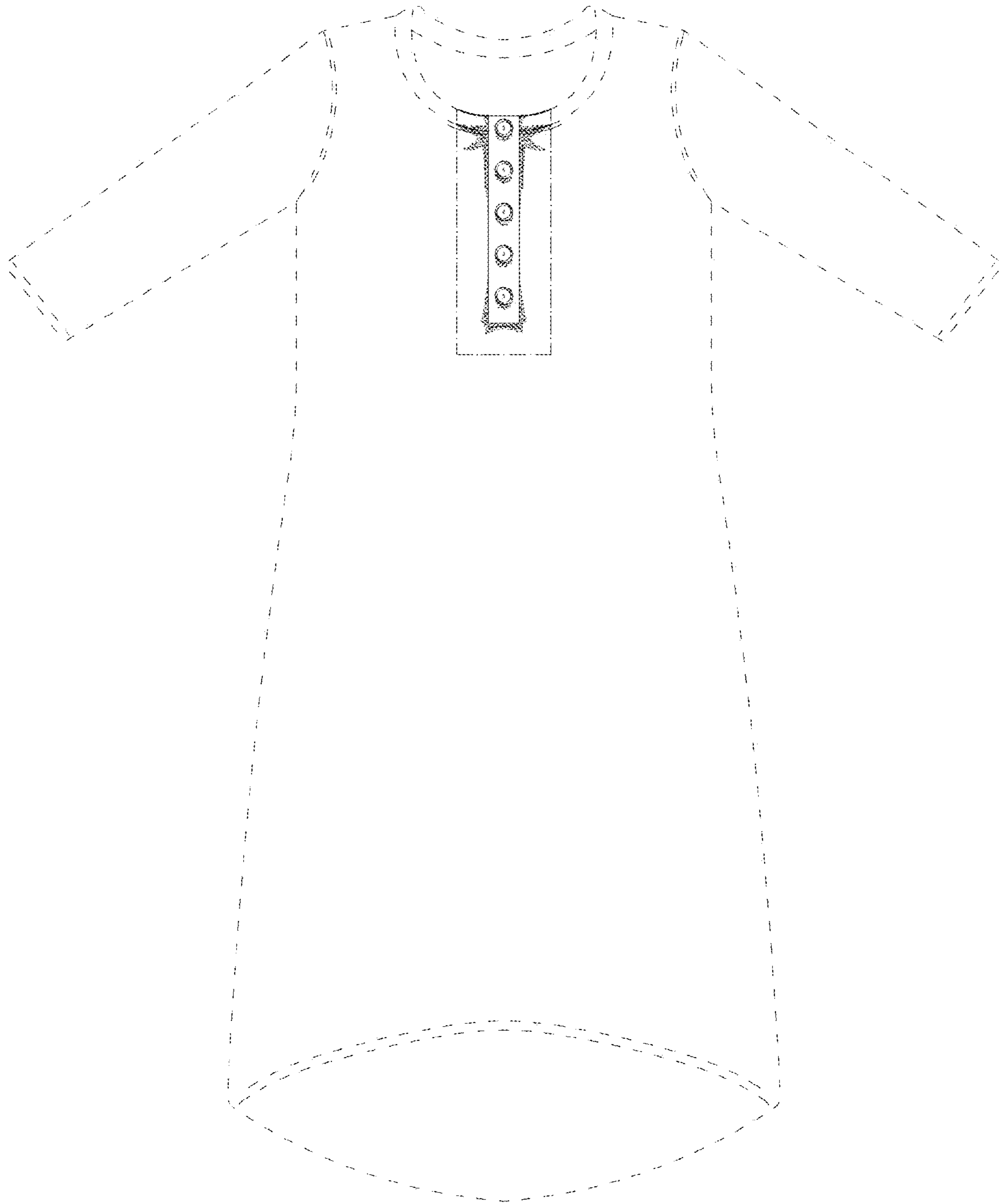
The dot-dash broken lines show the bounds of the claim and form no part of the claimed design. The even broken lines shown in the drawings illustrate portions of the nursing garment and form no part of the claimed design.

**1 Claim, 5 Drawing Sheets**





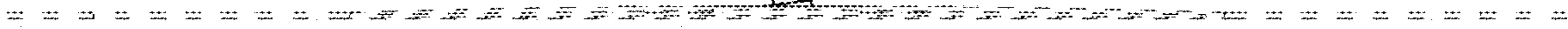
**FIG. 1**



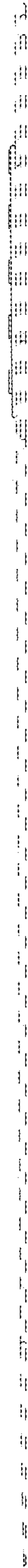
**FIG. 2**



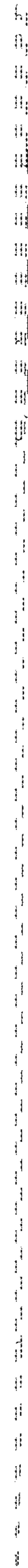
**FIG. 3**



**FIG. 4**



**FIG. 5**



**FIG. 6**

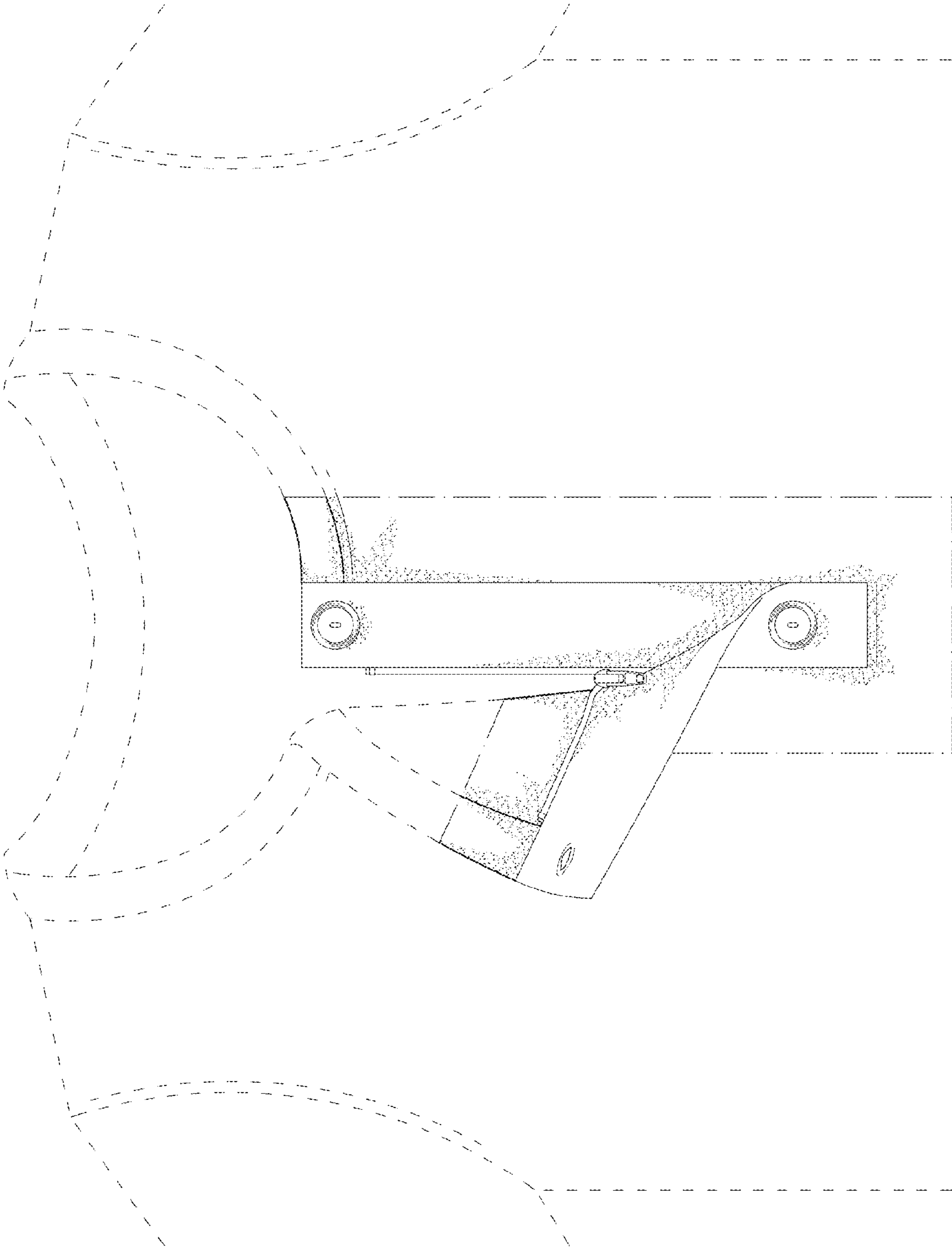


FIG. 7