



US00D961186S

(12) **United States Design Patent**
Miranda et al.

(10) **Patent No.:** **US D961,186 S**

(45) **Date of Patent:** **** Aug. 23, 2022**

(54) **CONFECTIONERY**

(71) Applicant: **INTERCONTINENTAL GREAT BRANDS LLC**, East Hanover, NJ (US)

(72) Inventors: **Luciana Miranda**, Curitiba (BR);
Raphael Brisola, Curitiba (BR);
Monica Mendoza, Puebla (MX)

(73) Assignee: **INTERCONTINENTAL GREAT BRANDS LLC**, East Hanover, NJ (US)

(**) Term: **15 Years**

(21) Appl. No.: **29/769,502**

(22) Filed: **Feb. 5, 2021**

(51) **LOC (13) Cl.** **01-01**

(52) **U.S. Cl.**
USPC **D1/109**

(58) **Field of Classification Search**
USPC D1/100–130, 199; 426/104, 108, 138,
426/391, 549, 808, 94, 143, 559, 560;
D11/79, 127; D24/101–104; D3/211;
D30/118, 129, 133, 155, 160, 199;
D6/304; D8/38, 356; D9/451, 601, 607;
D99/1, 5; D15/140
CPC A21D 13/0029; A21D 13/0074; A21D
13/0022; A21D 13/0006; A23L 1/1641;
A23L 1/005

See application file for complete search history.

(56) **References Cited**

U.S. PATENT DOCUMENTS

D107,402 S * 12/1937 Bates D28/80
D490,587 S * 6/2004 Hunt D1/102
D548,609 S * 8/2007 Considine D9/611
D572,141 S * 7/2008 Slabaugh D9/414
D654,245 S * 2/2012 School D99/5
D684,211 S * 6/2013 Roth D19/2
D728,192 S * 5/2015 Neely D1/109

D757,374 S * 5/2016 Breit D30/133
D759,339 S * 6/2016 Smith D99/5
D773,932 S * 12/2016 Katopis D9/451
D785,779 S * 5/2017 Paris D24/102
D806,246 S * 12/2017 Schraga D24/146
D811,622 S * 2/2018 Flood D25/113
D869,817 S * 12/2019 White D1/109

(Continued)

Primary Examiner — Katie Jane Stofko

(74) *Attorney, Agent, or Firm* — Cantor Colburn LLP

(57) **CLAIM**

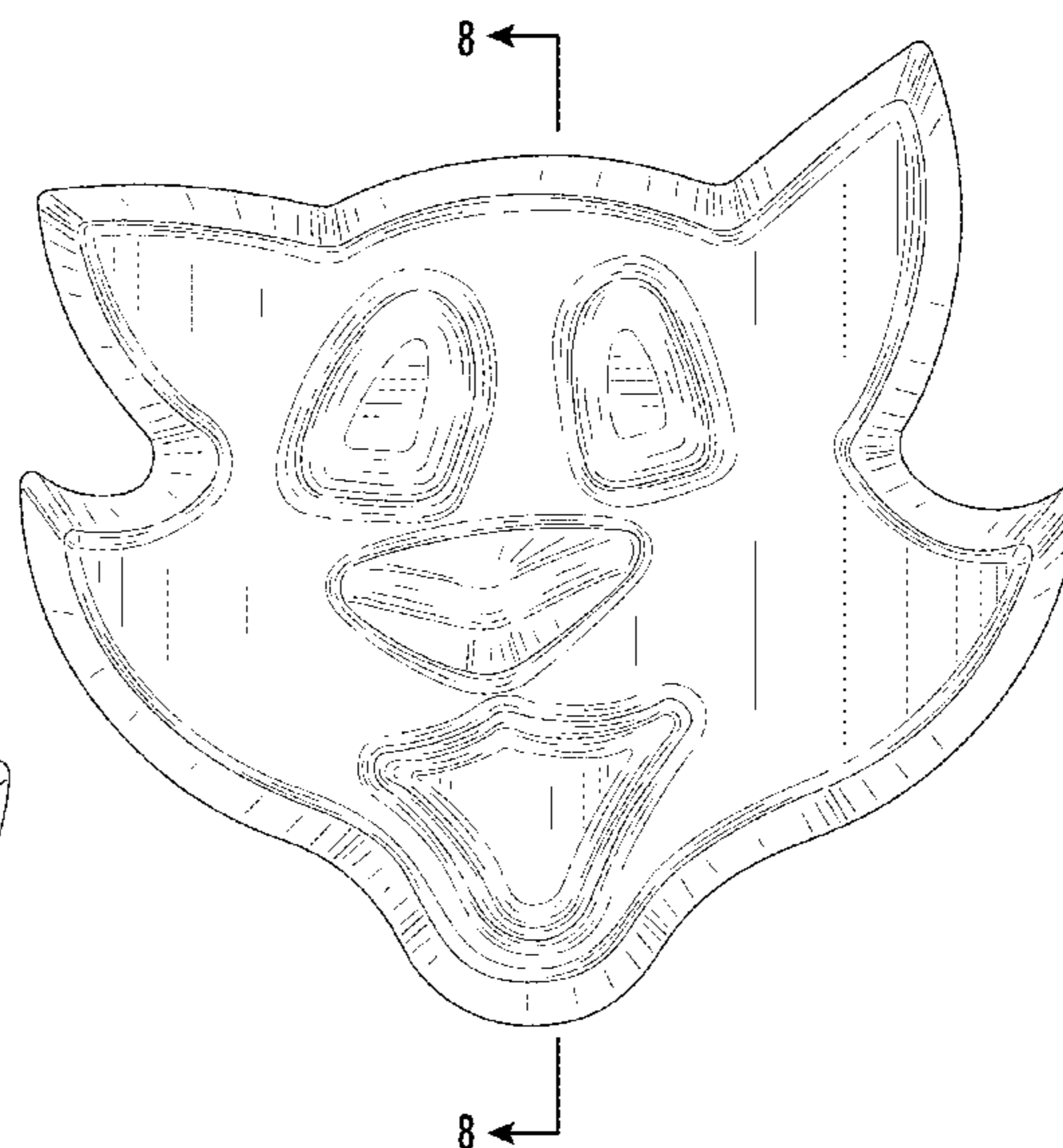
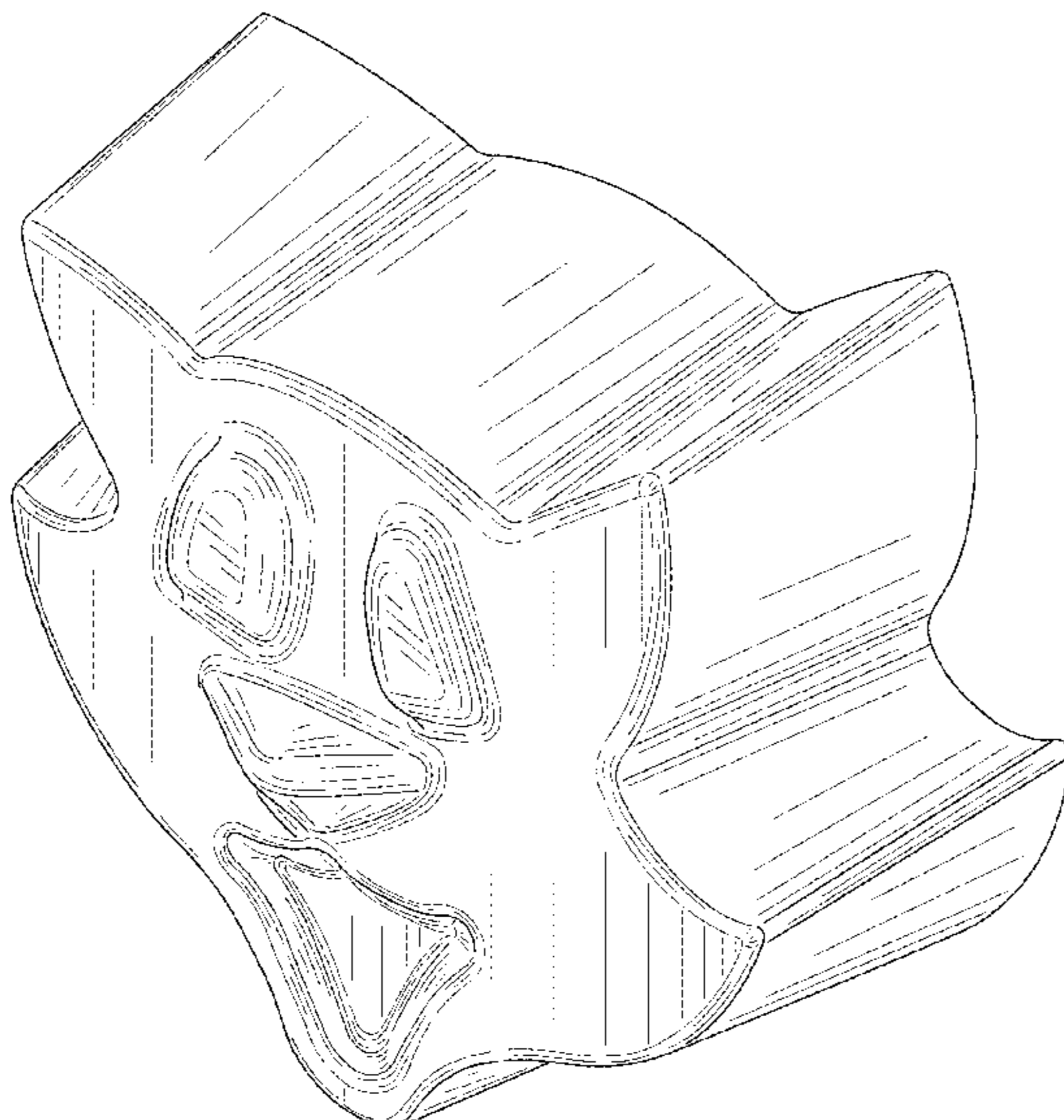
We claim, the ornamental design for a confectionery, as shown and described.

DESCRIPTION

FIG. 1 is a front, top and right side perspective view of a first embodiment of a confectionery, showing our new design; FIG. 2 is a front elevation view thereof; FIG. 3 is a rear elevation view thereof; FIG. 4 is a right side elevation view thereof; FIG. 5 is a left side elevation view thereof; FIG. 6 is a top plan view thereof; FIG. 7 is a bottom plan view thereof; FIG. 8 is a cross-sectional view thereof, taken along section cut 8-8 in FIG. 2; FIG. 9 is a front, top and right side perspective view of a second embodiment of a confectionery, showing our new design; FIG. 10 is a front elevation view thereof; FIG. 11 is a rear elevation view thereof; FIG. 12 is a right side elevation view thereof; FIG. 13 is a left side elevation view thereof; FIG. 14 is a top plan view thereof; FIG. 15 is a bottom plan view thereof; and, FIG. 16 is a cross-sectional view thereof, taken along section cut 16-16 in FIG. 10.

The broken line disclosure forms no part of the claimed design.

1 Claim, 14 Drawing Sheets



(56)

References Cited

U.S. PATENT DOCUMENTS

D902,504 S	*	11/2020	Katopis	D30/159
D919,198 S	*	5/2021	Katopis	D30/159
D921,583 S	*	6/2021	Vidal	D13/108
D929,672 S	*	8/2021	Hoover	D30/160
D936,332 S	*	11/2021	O'Brien	D1/109
D939,183 S	*	12/2021	Polak	D1/109

* cited by examiner

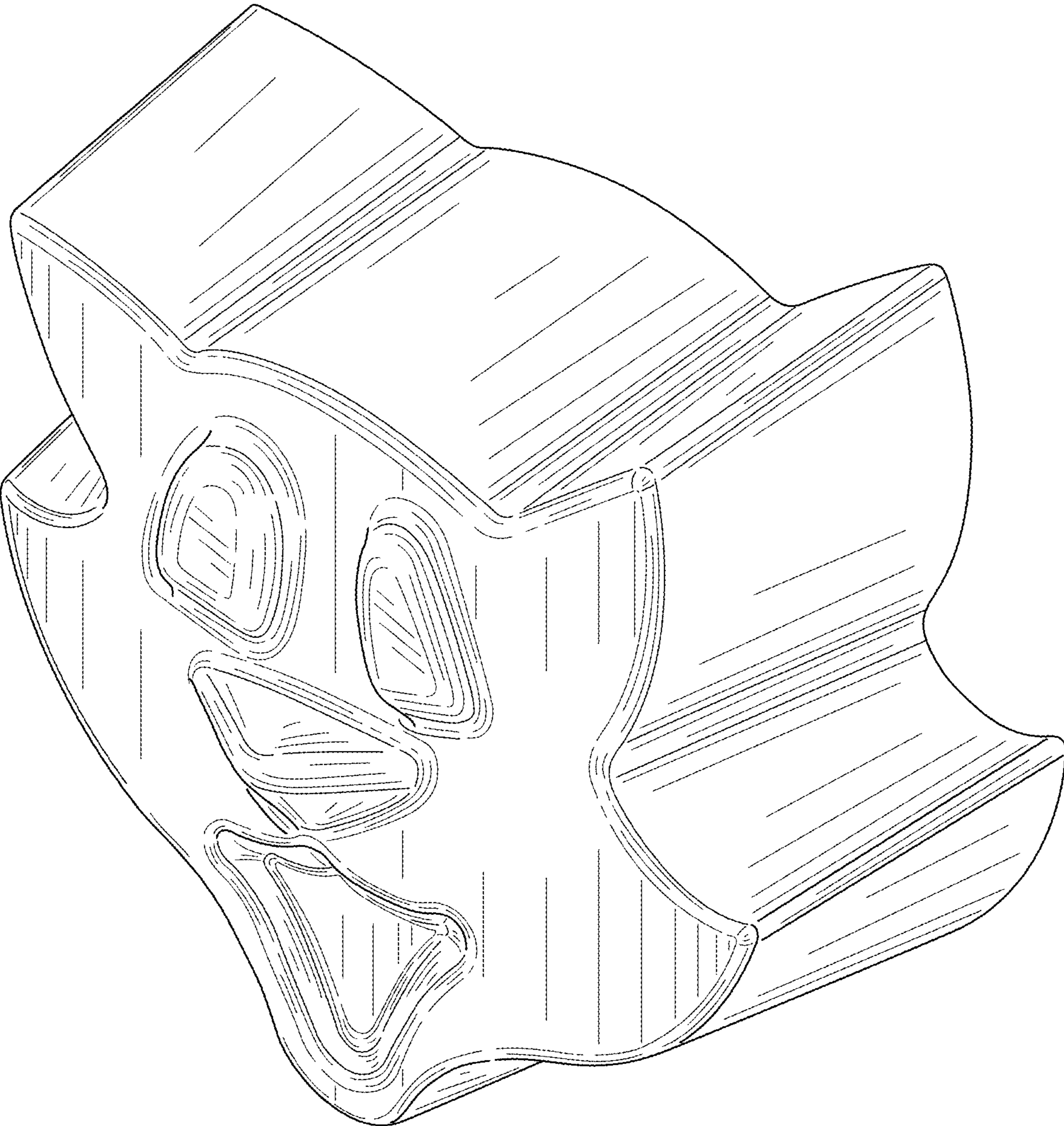


FIG. 1

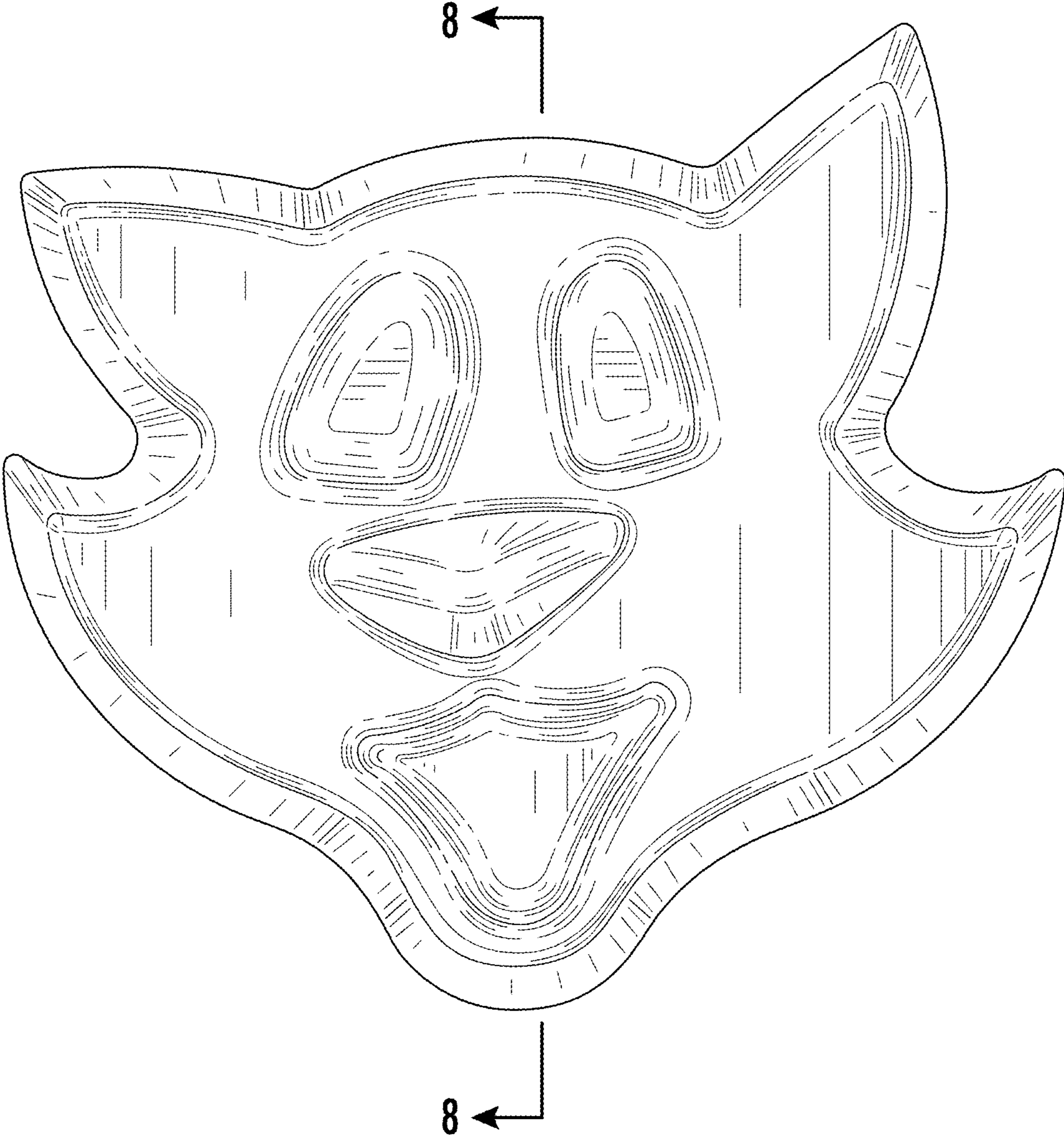


FIG. 2

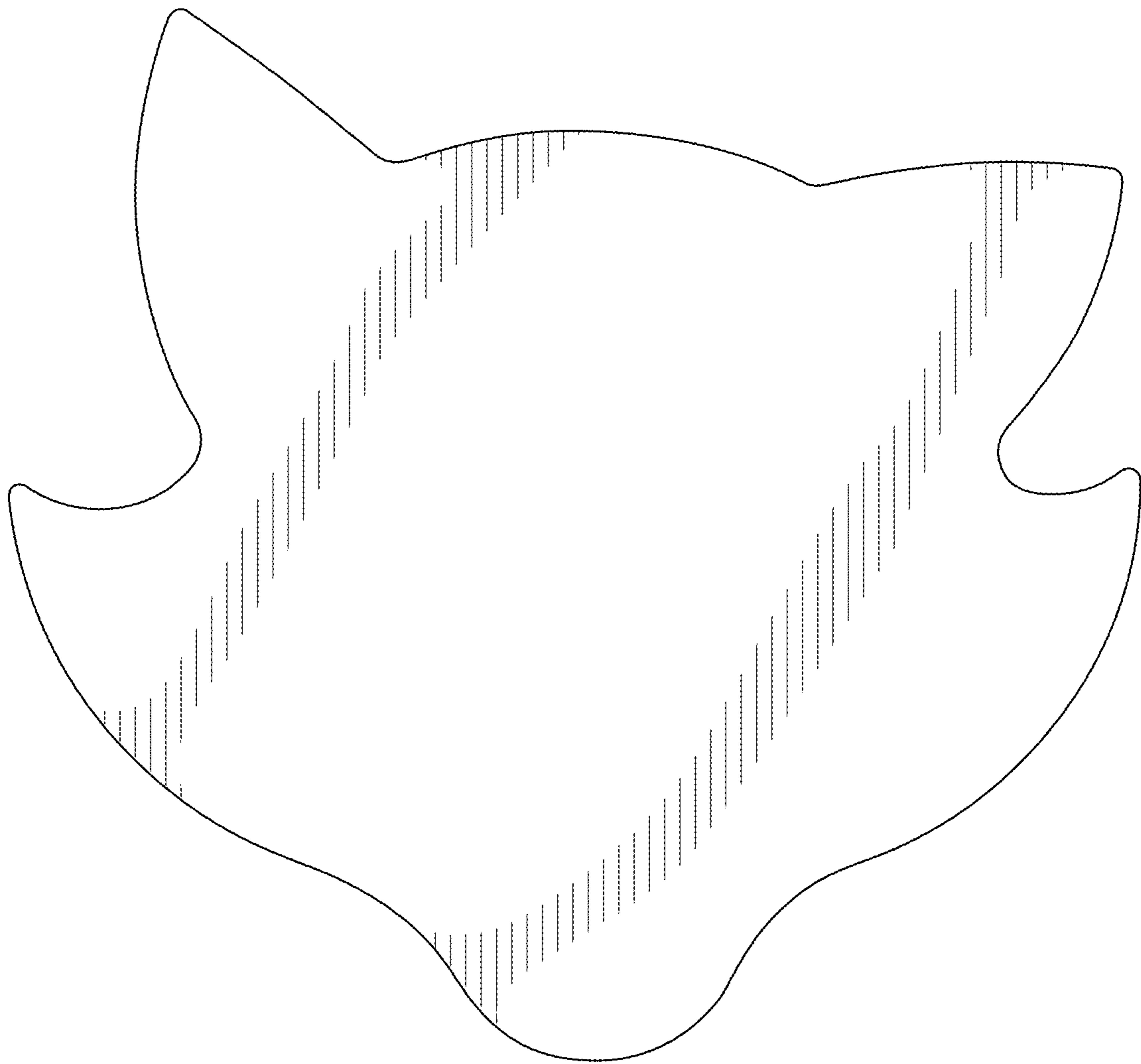


FIG. 3

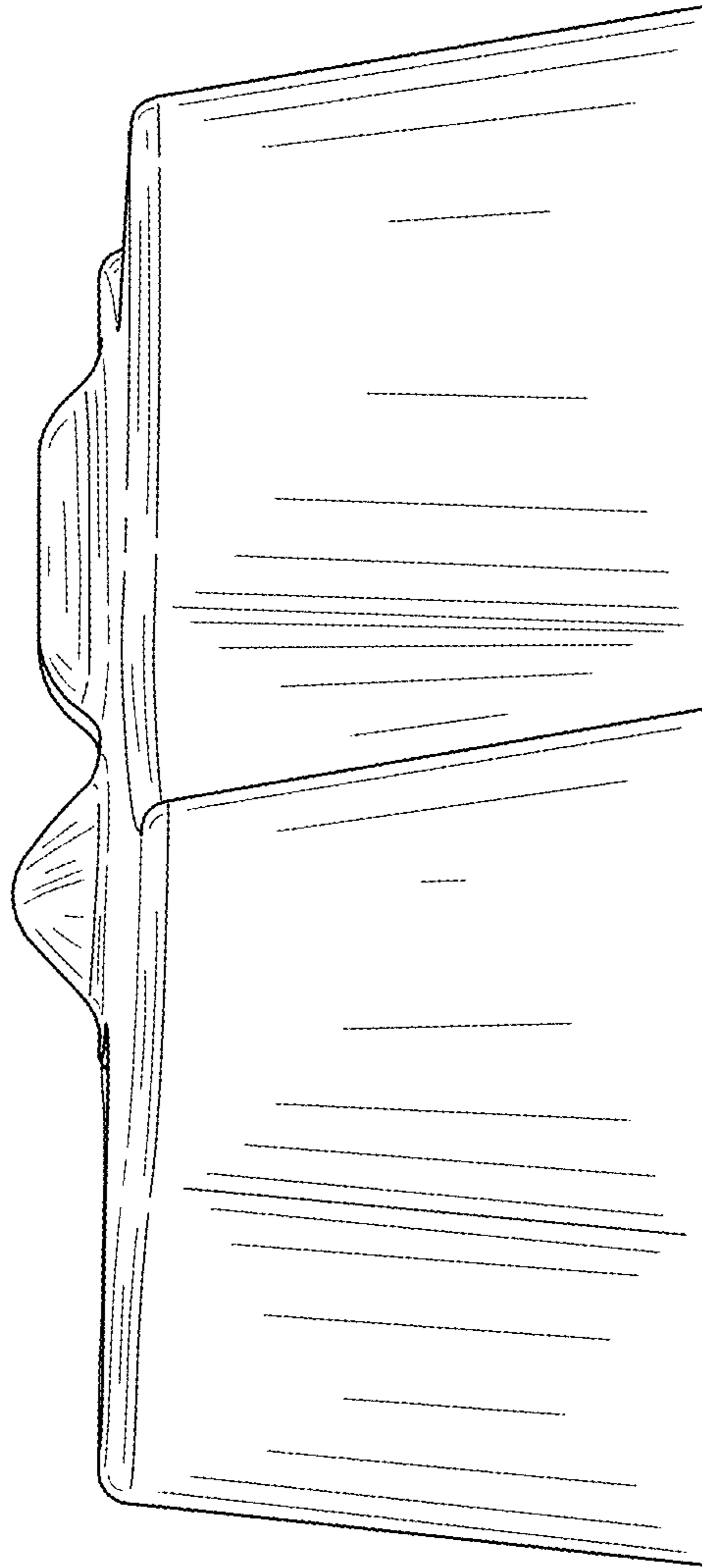


FIG. 4

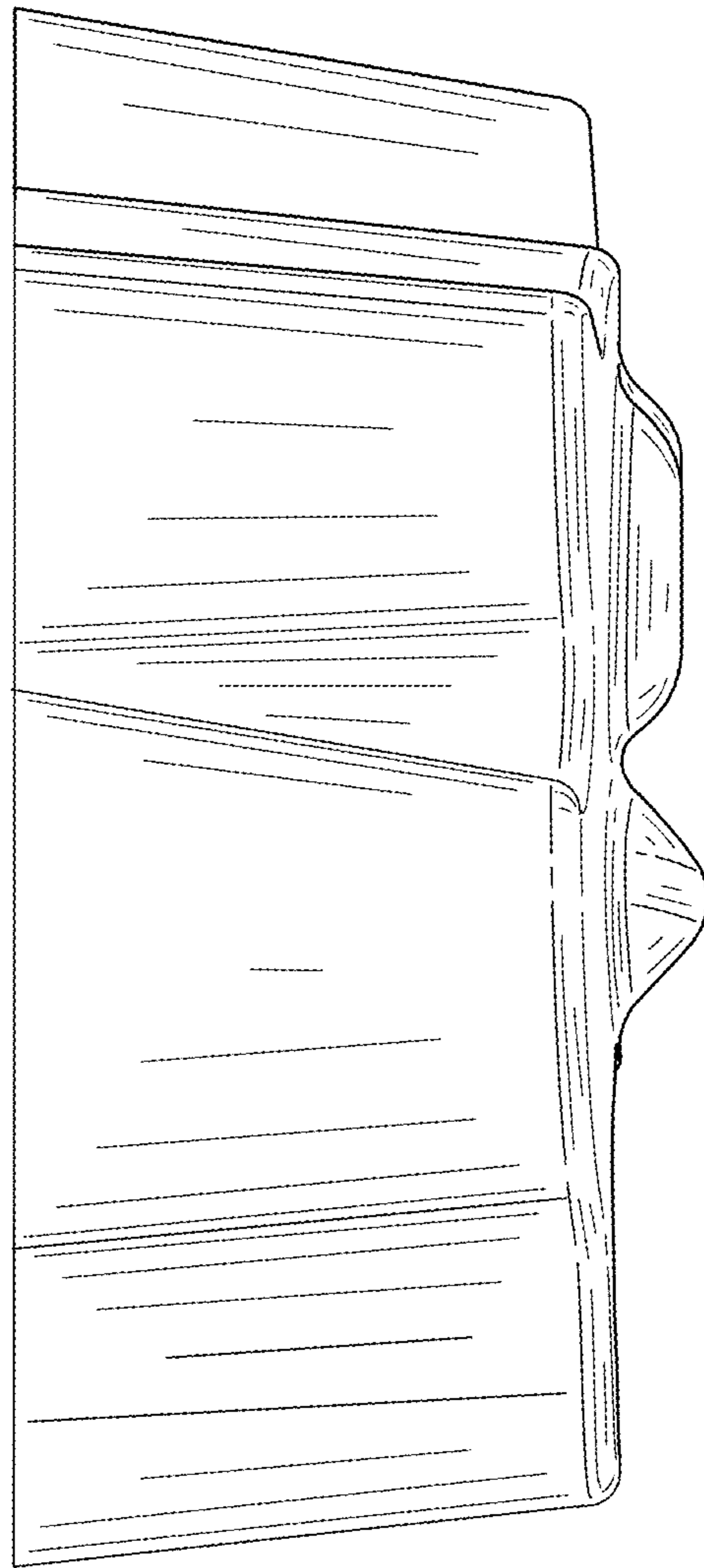


FIG. 5

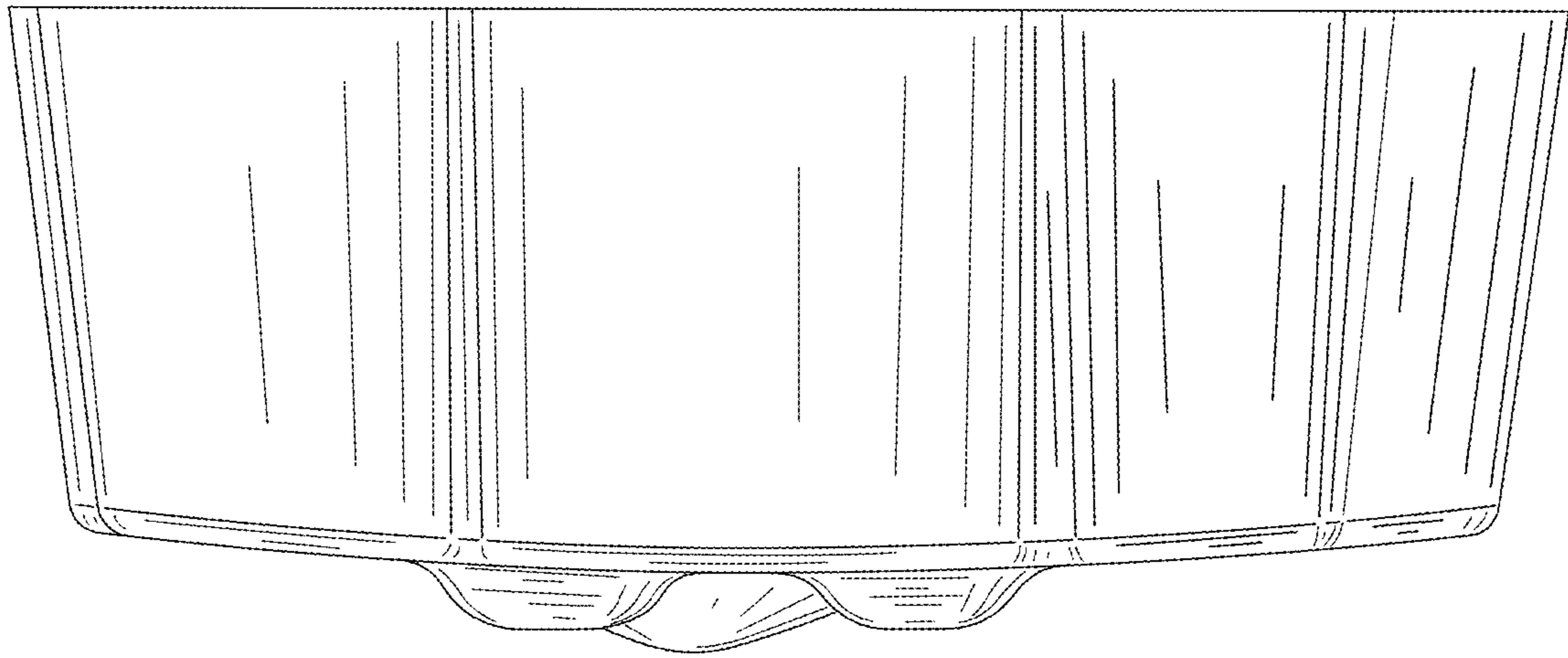


FIG. 6

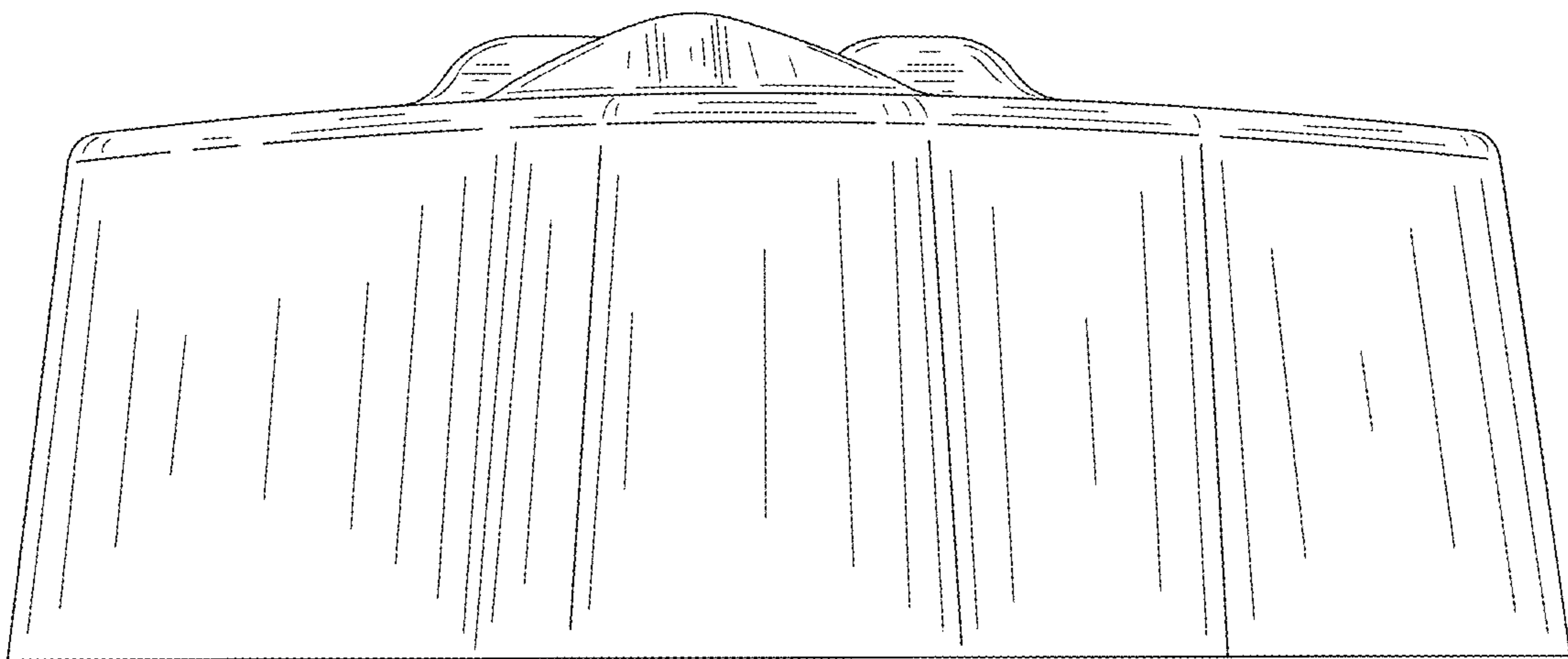


FIG. 7

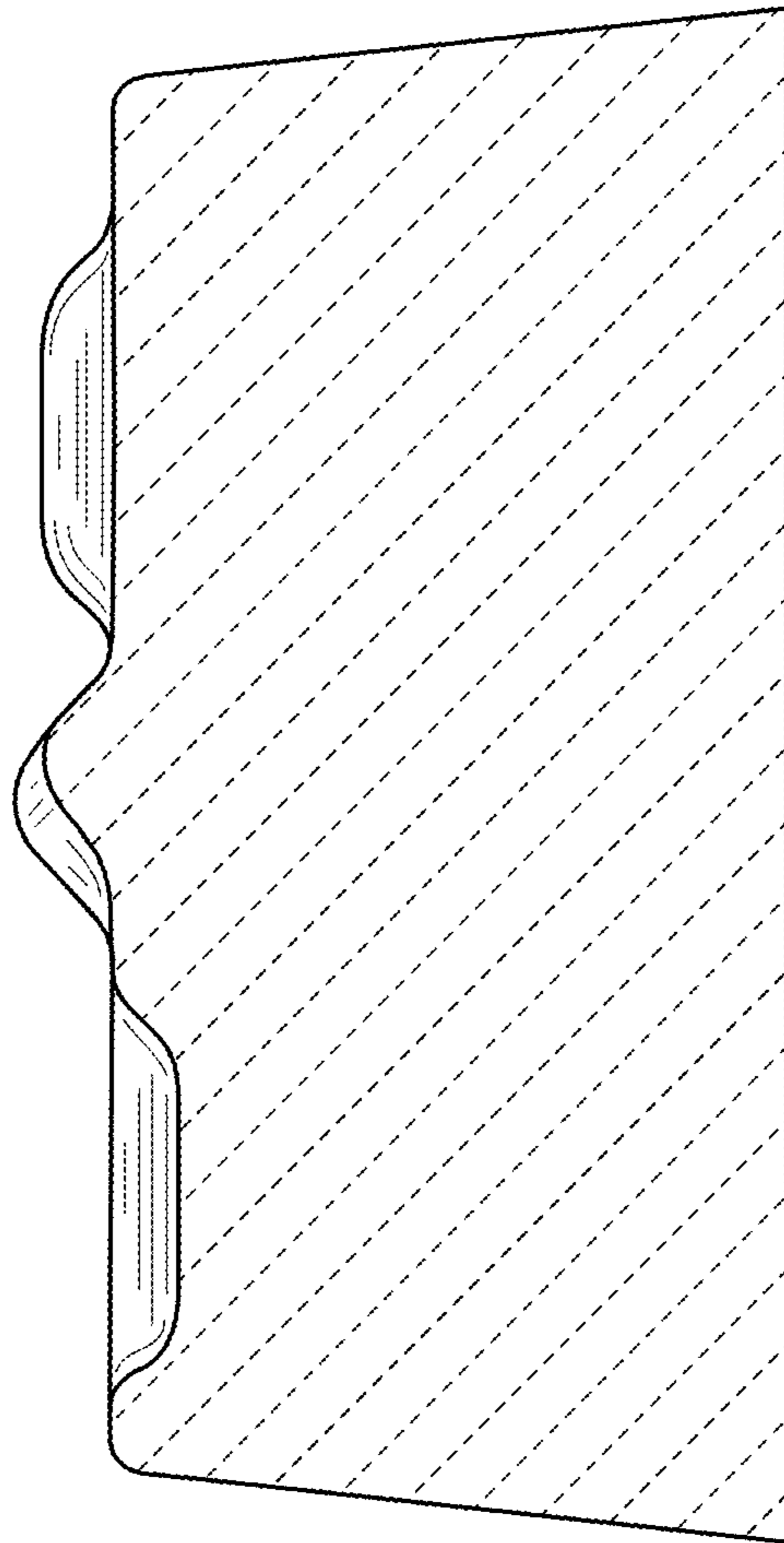


FIG. 8

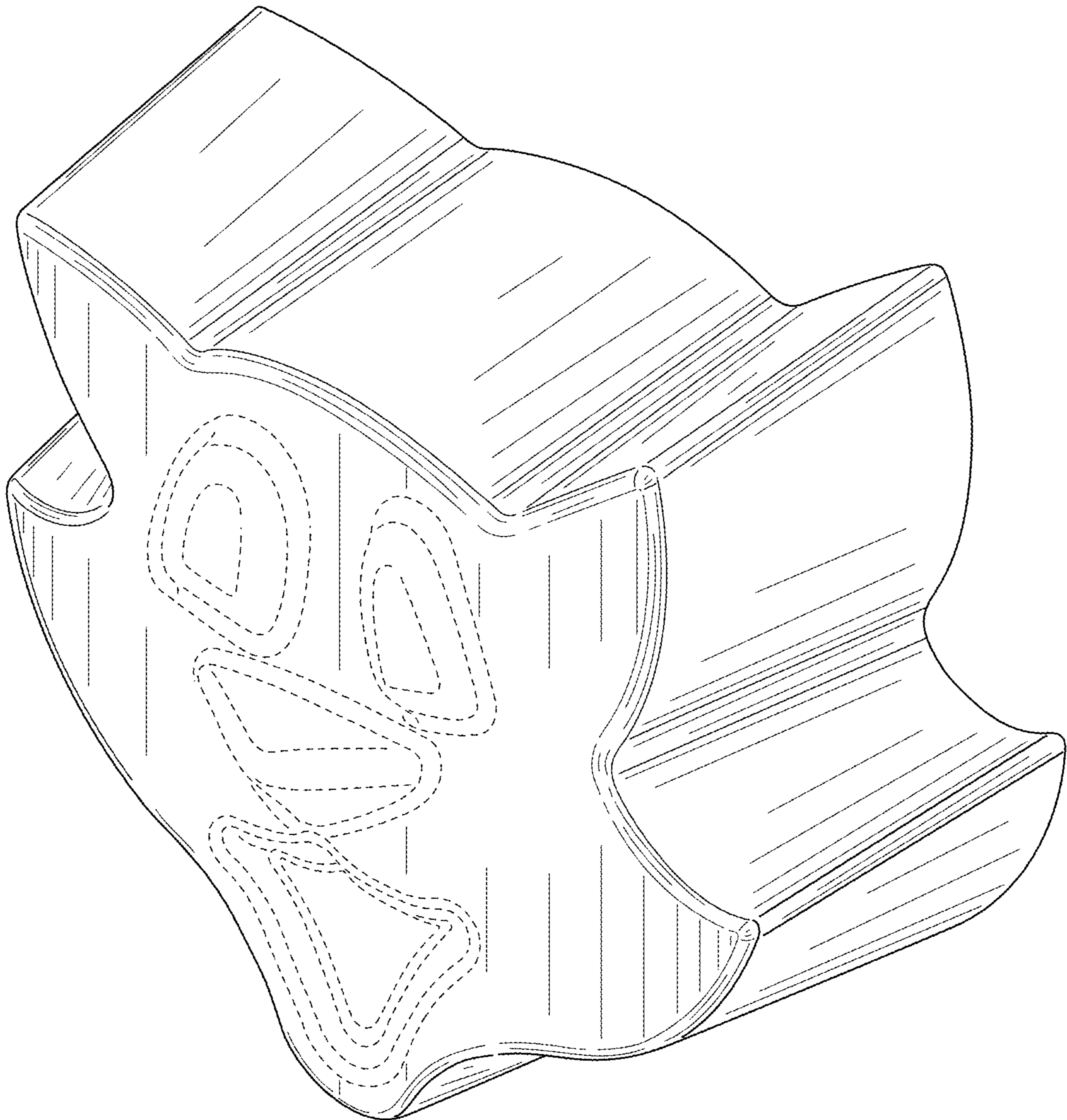


FIG. 9

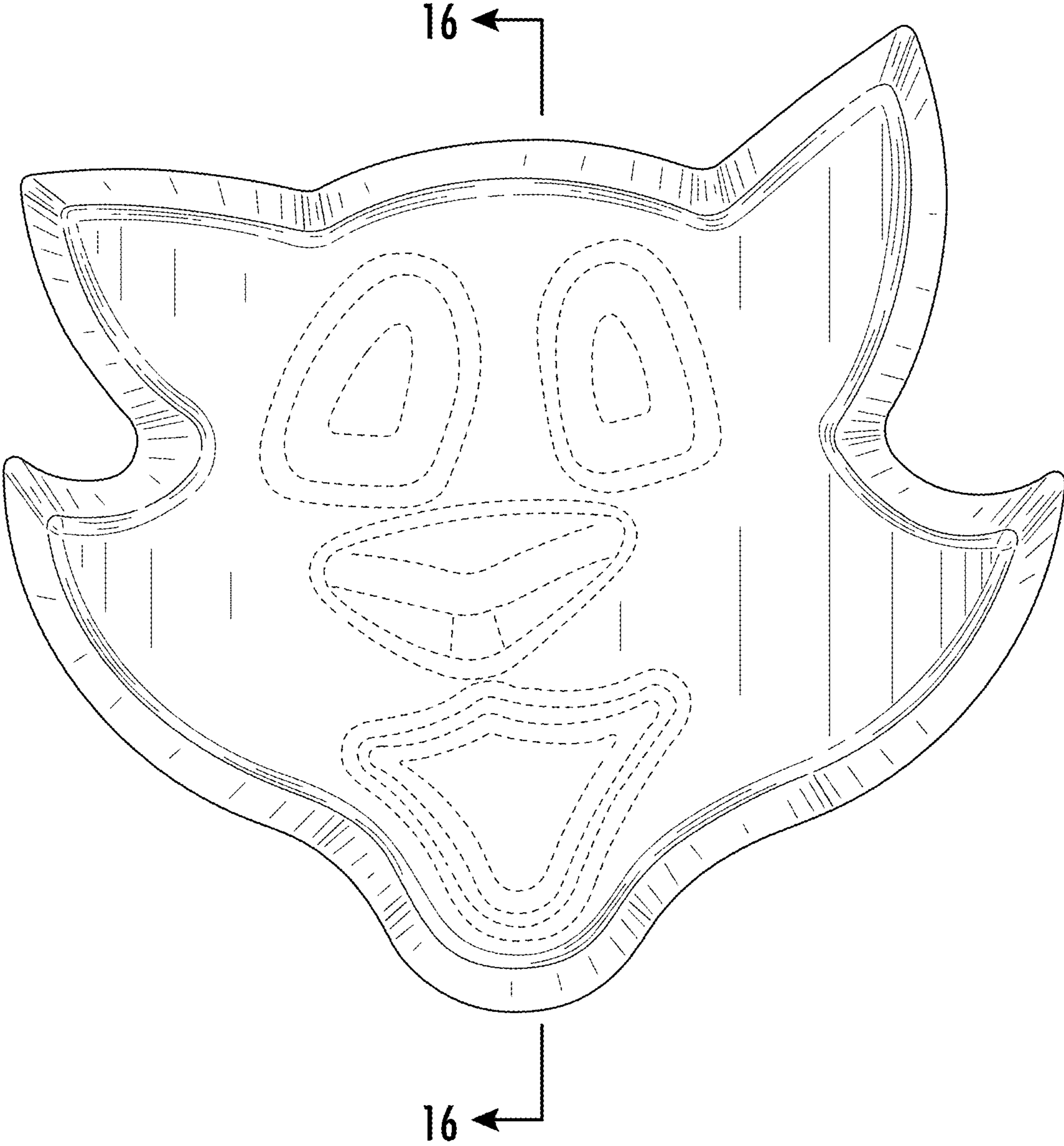


FIG. 10

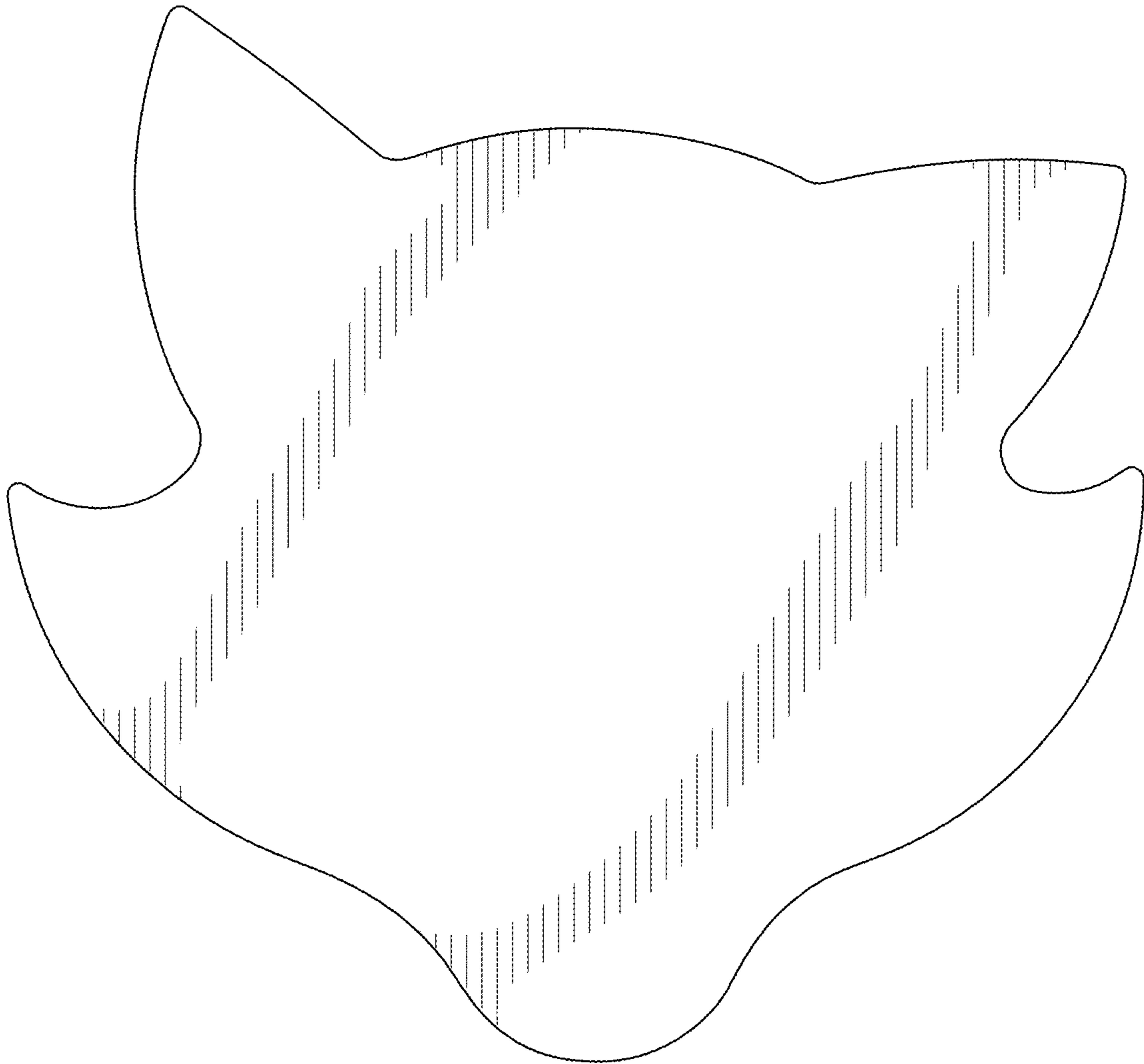


FIG. 11

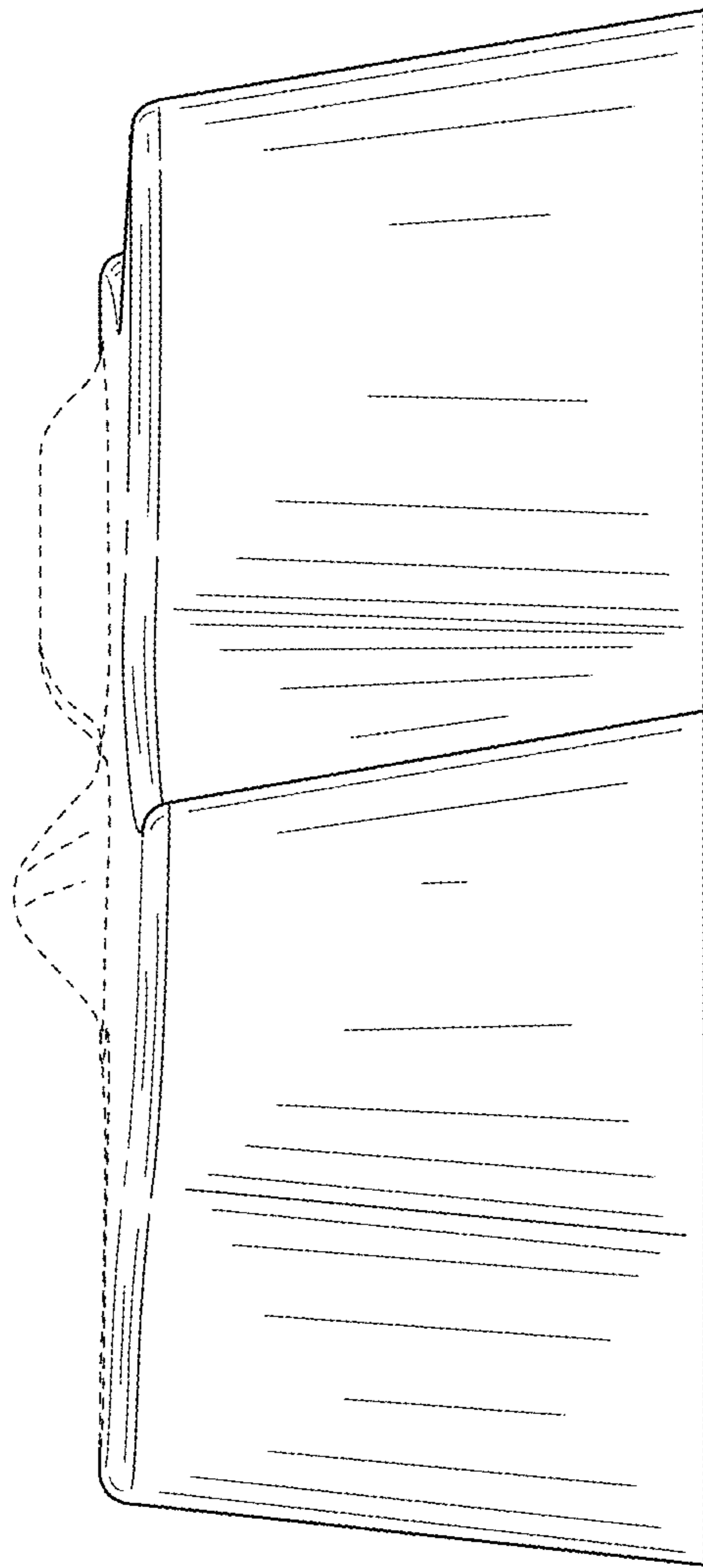


FIG. 12

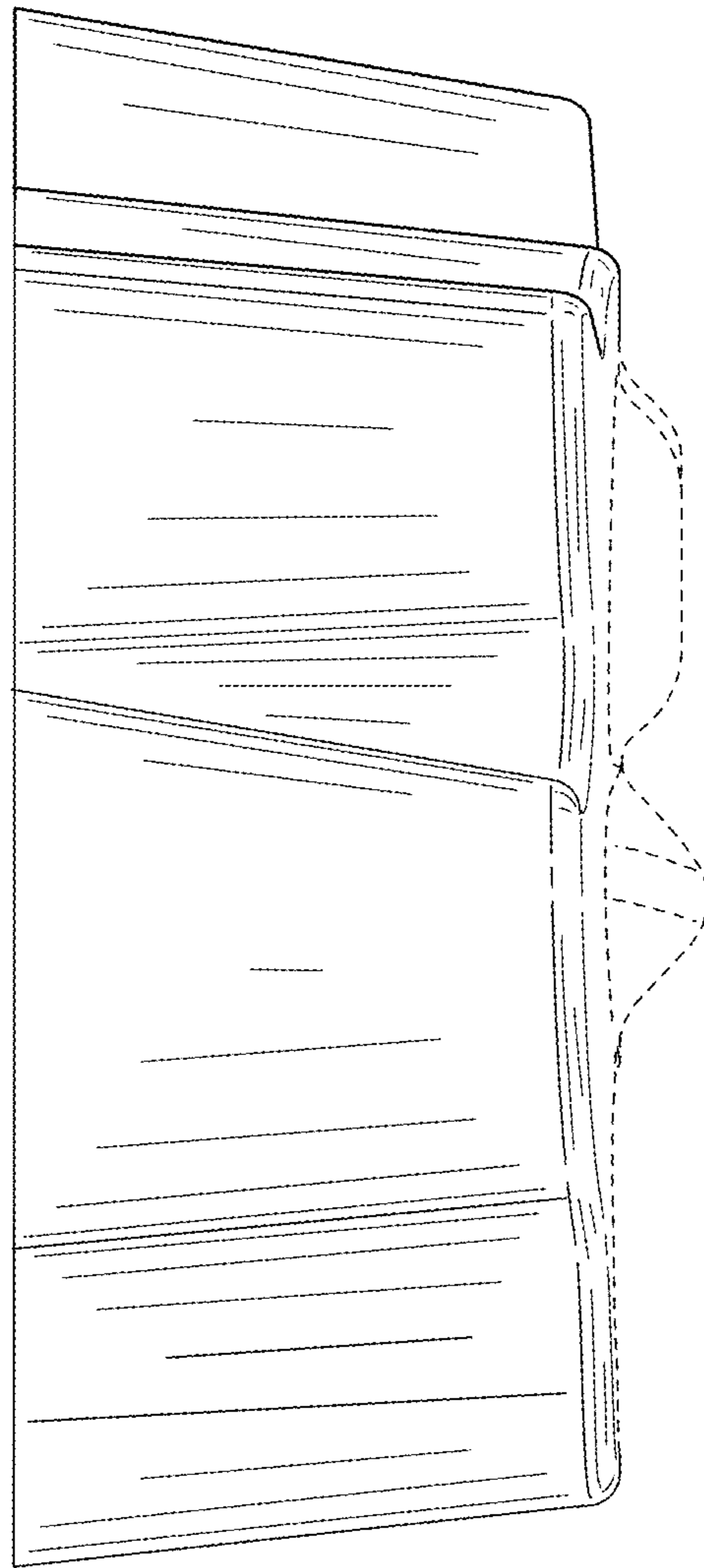


FIG. 13

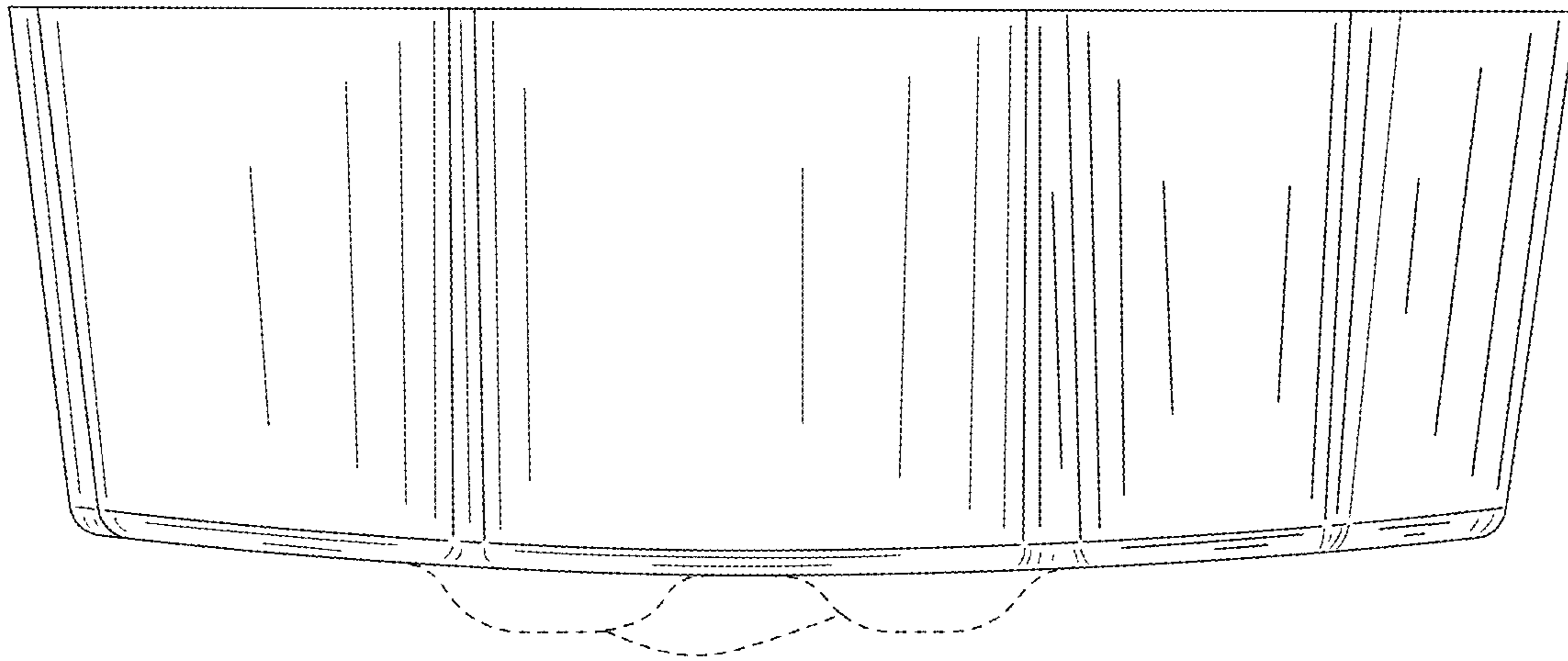


FIG. 14

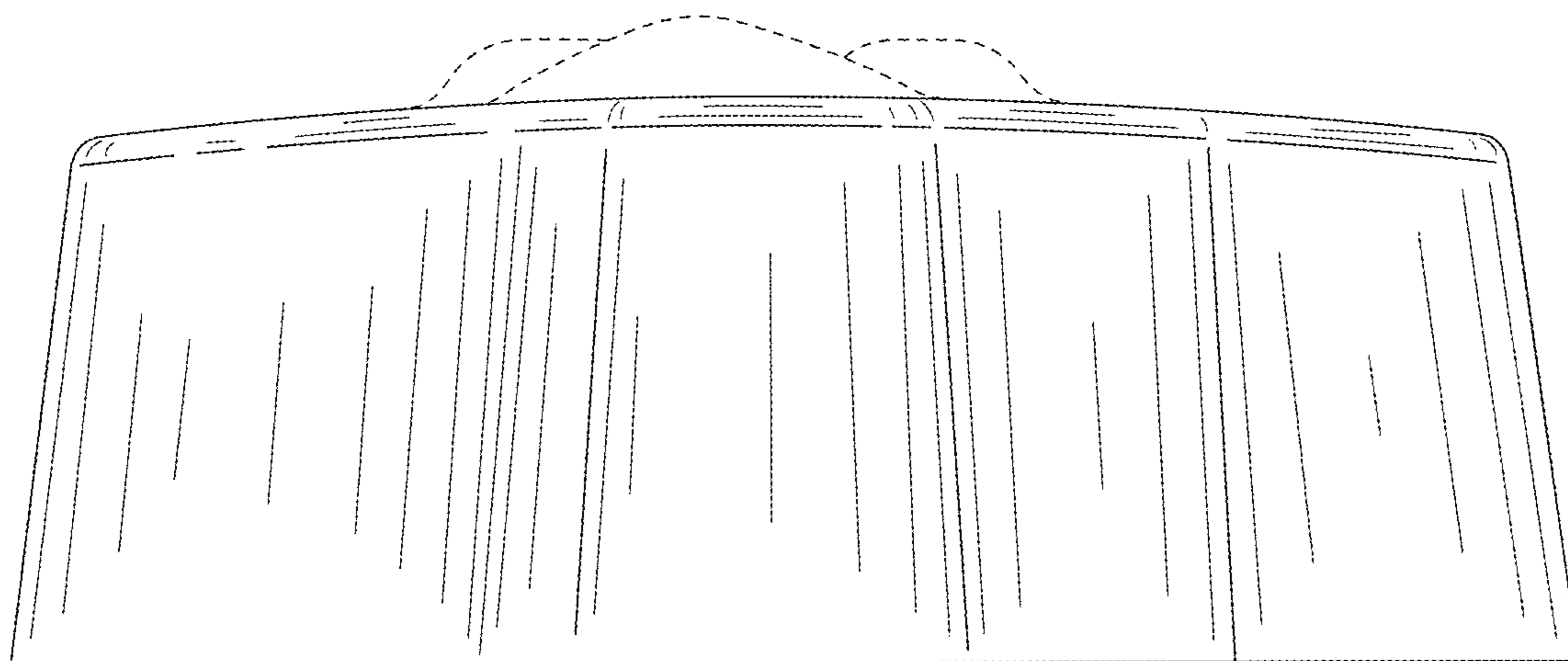


FIG. 15

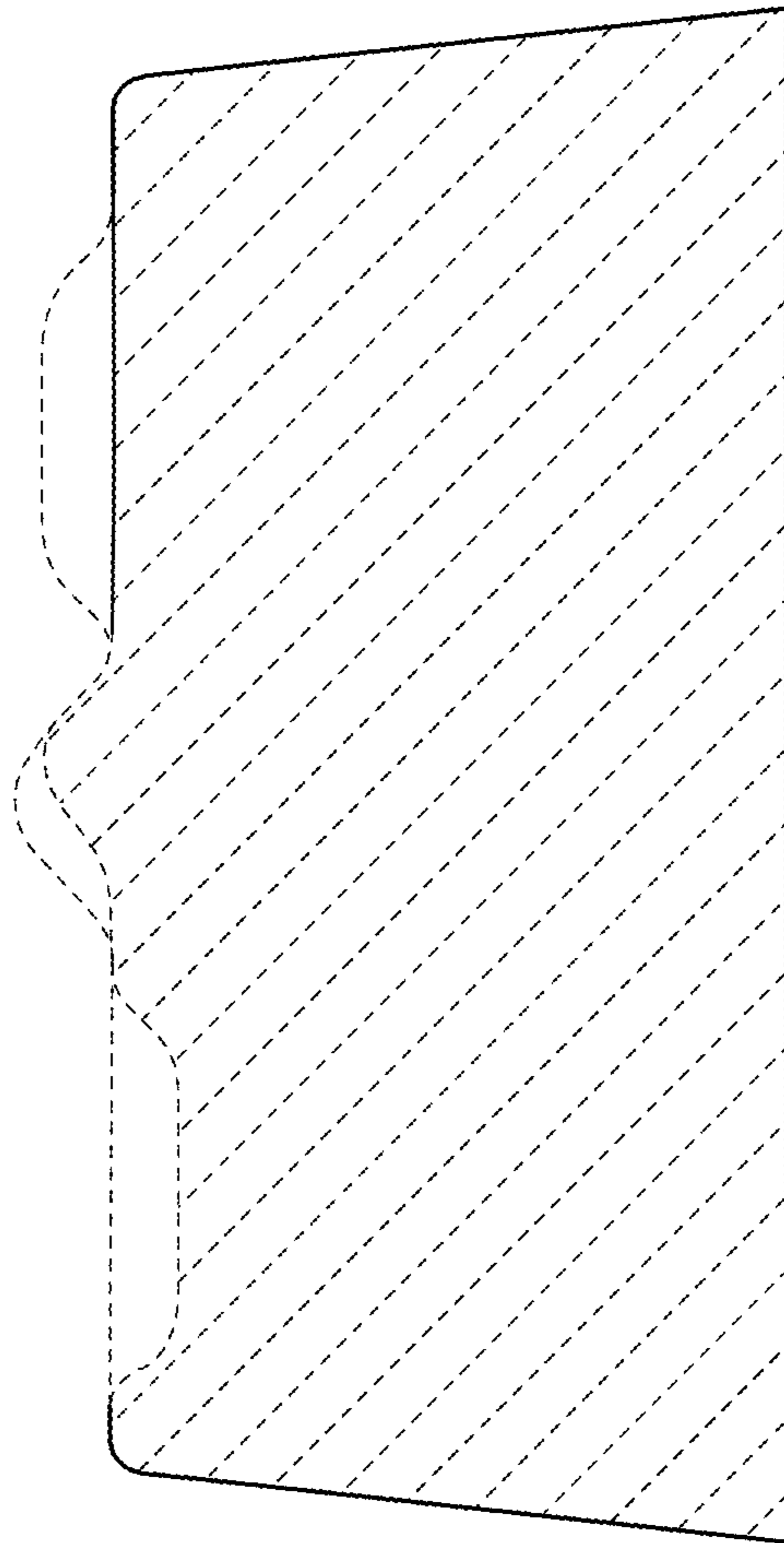


FIG. 16