



US00D961184S

(12) **United States Design Patent** (10) **Patent No.:** **US D961,184 S**
Omura (45) **Date of Patent:** **** Aug. 16, 2022**

(54) **BODY OF ELECTRIC CHAIN BLOCK**

D764,139 S * 8/2016 Tsai D34/33
D798,523 S * 9/2017 Jakubowski D34/33
D839,528 S * 1/2019 Huang D34/33
2009/0272710 A1 * 11/2009 Golder B66D 1/46
212/284

(71) Applicant: **KITO CORPORATION**, Yamanashi (JP)

(72) Inventor: **Shinya Omura**, Yamanashi (JP)

(73) Assignee: **KITO CORPORATION**, Yamanashi (JP)

(**) Term: **15 Years**

(21) Appl. No.: **29/737,123**

(22) Filed: **Jun. 5, 2020**

(30) **Foreign Application Priority Data**

Dec. 6, 2019 (JP) 2019-027127

(51) **LOC (13) Cl.** **12-05**

(52) **U.S. Cl.**
USPC **D34/33**

(58) **Field of Classification Search**
USPC D34/33; D12/217
CPC B60C 27/003; B66F 7/243; B66D 1/58;
B66D 3/14
See application file for complete search history.

(56) **References Cited**

U.S. PATENT DOCUMENTS

D219,298 S * 11/1970 Eyck D34/33
3,883,119 A * 5/1975 Hansson B66D 1/58
254/344
4,218,046 A * 8/1980 Bathum, Jr. B66D 1/58
254/266
4,635,903 A * 1/1987 Broyden B66D 3/26
174/DIG. 12
4,692,130 A * 9/1987 Novak F16G 5/18
474/201
D524,508 S * 7/2006 Lichtenwort D34/33

OTHER PUBLICATIONS

Google search Nov. 29, 2021, Crane Depot Electric chain hoist 2 ton advantage, <https://cranedepot.com/products/2-ton-advantage-xl-series-31-7-fpm-two-speed-230-460v> (Year: 2021).*

Google search Nov. 29, 2021, Ace Industries, EC electric chain hoist EC-1 bottom block assemblies 2-10c, <https://www.aceindustries.com/c-660-ec1-electric-chain-hoist-ec1-bottom-block-assemblies-2-10c.aspx> (Year: 2021).*

Google search Nov. 29, 2021, Sydney Tools, Toho TECH0203 2 ton Electric chain hoist, <https://sydneytools.com.au/product/toho-tech0203-2-ton-3m-electric-chain-hoist> (Year: 2021).*

* cited by examiner

Primary Examiner — Cynthia Ramirez

(74) *Attorney, Agent, or Firm* — Cantor Colburn LLP

(57) **CLAIM**

The ornamental design for a body of electric chain block, as shown and described.

DESCRIPTION

FIG. 1 is a perspective view of a body of electric chain block showing my new design;

FIG. 2 is a front view of FIG. 1;

FIG. 3 is a rear view of FIG. 1;

FIG. 4 is a left side view of FIG. 1;

FIG. 5 is a right side view of FIG. 1;

FIG. 6 is a top plan view of FIG. 1; and,

FIG. 7 is a bottom plan view of FIG. 1.

The broken lines in the drawings are for the purpose of illustrating portions of the body of electric chain block that form no part of the claimed design.

1 Claim, 4 Drawing Sheets

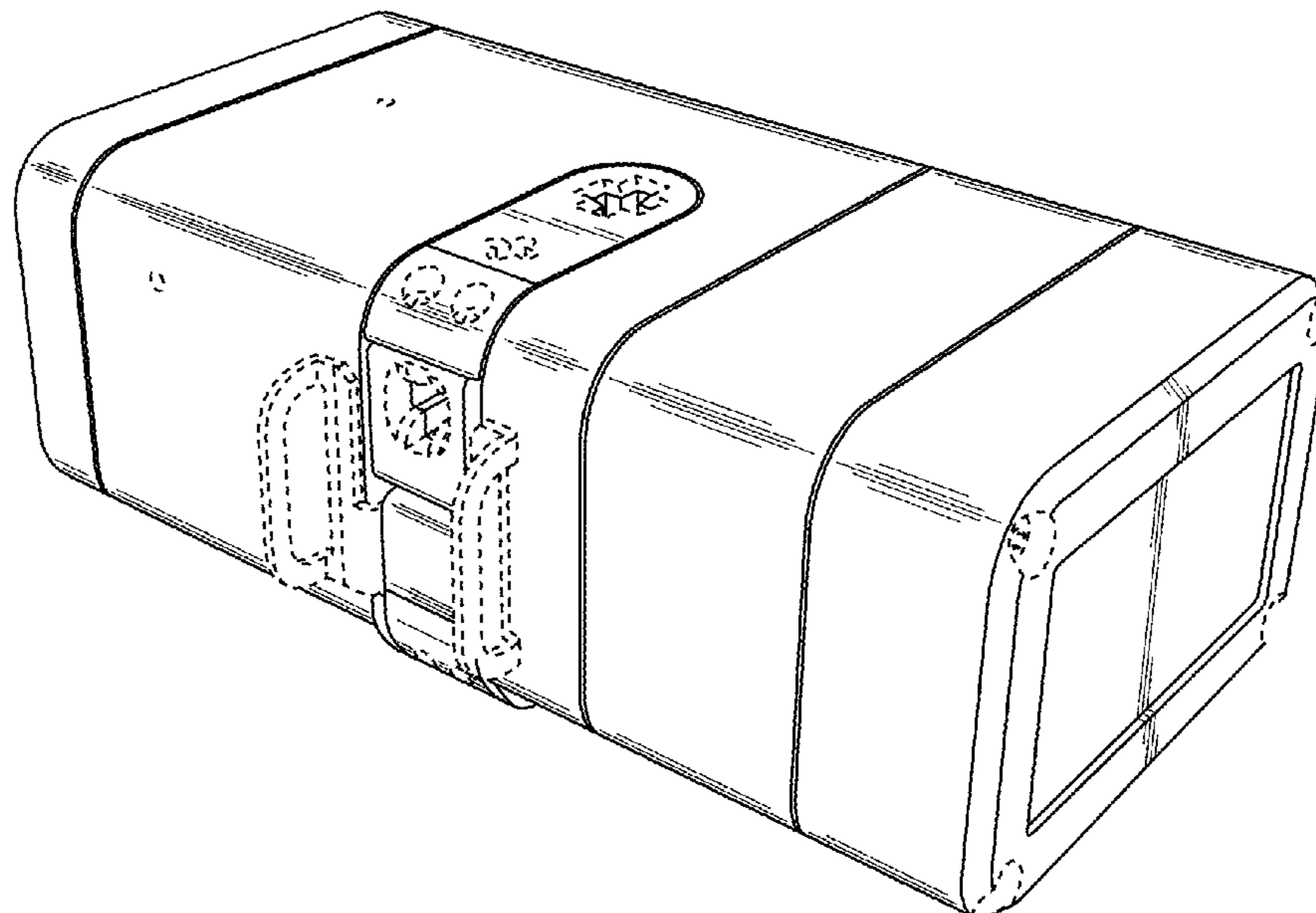


FIG. 1

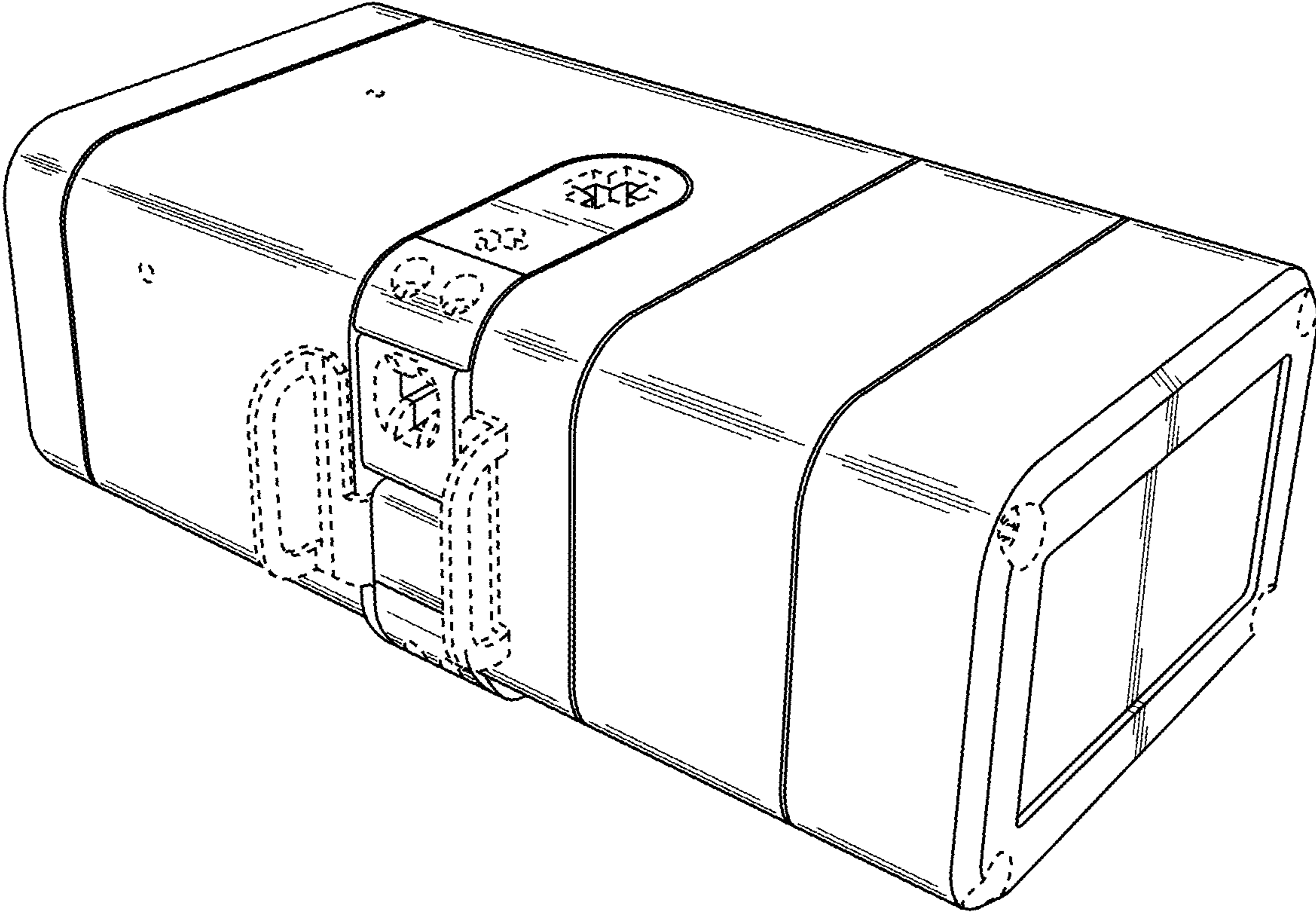


FIG. 2

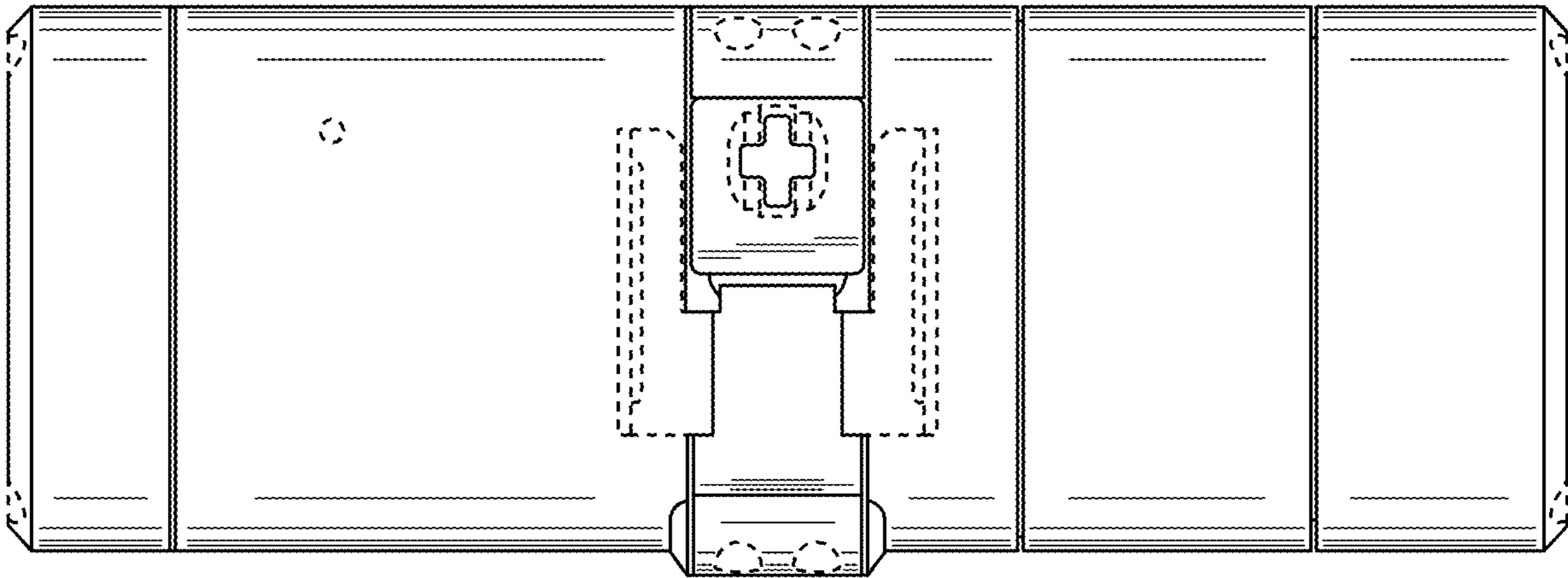


FIG. 3

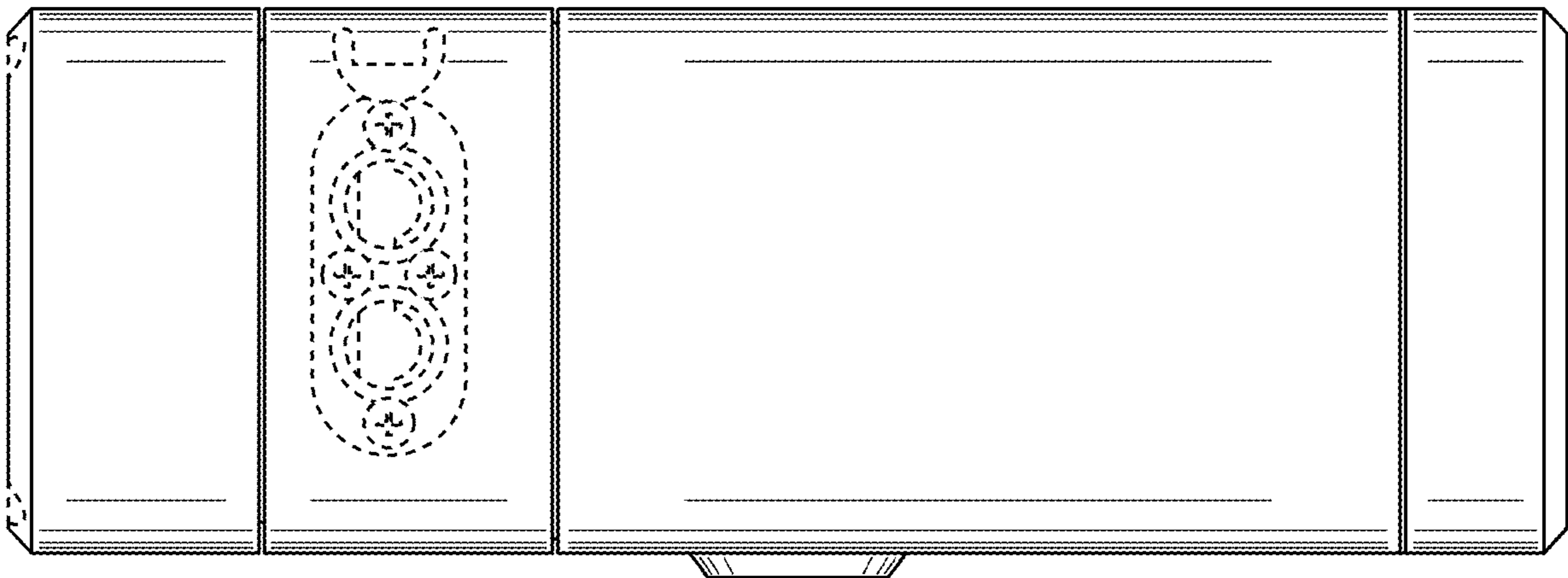


FIG. 4

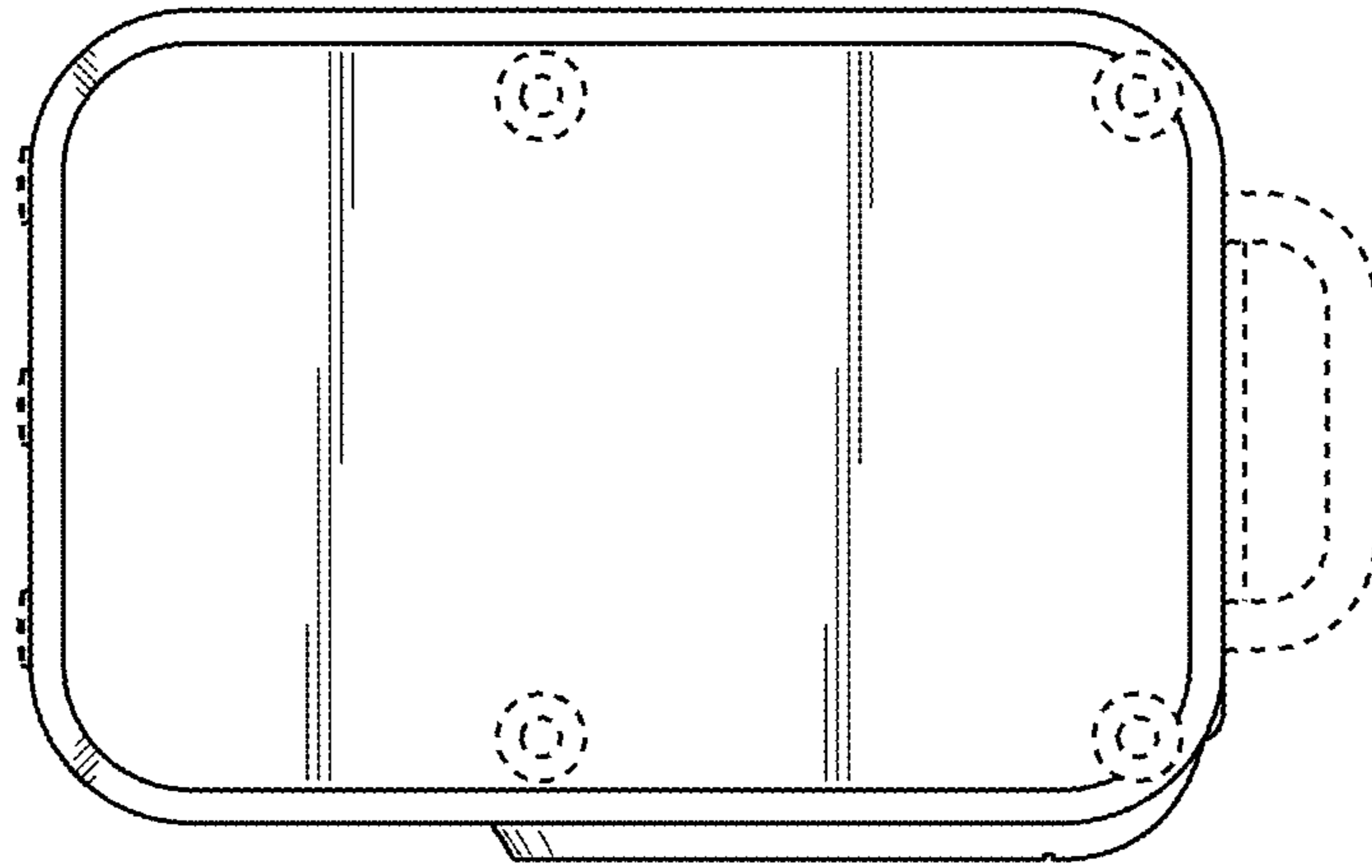


FIG. 5

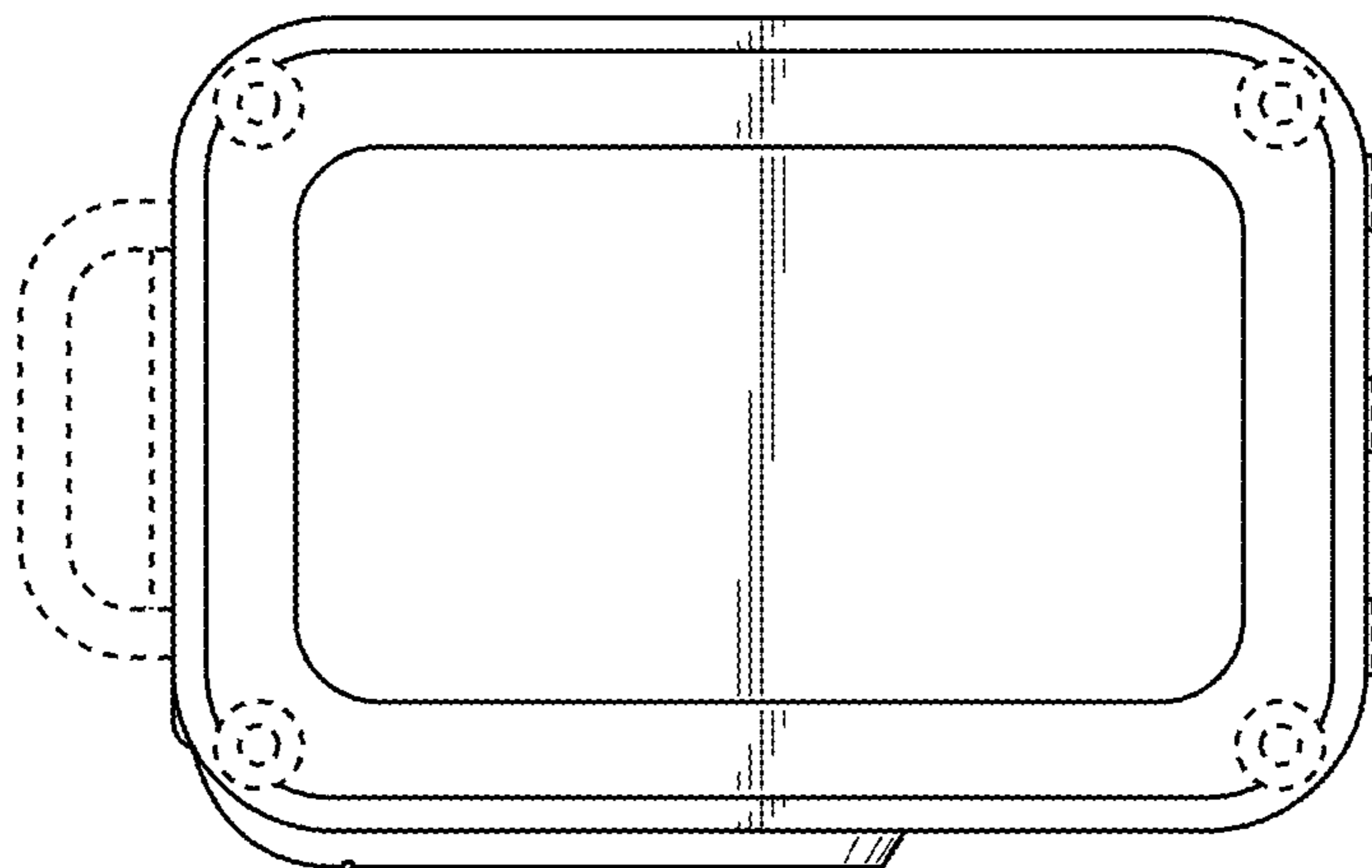


FIG. 6

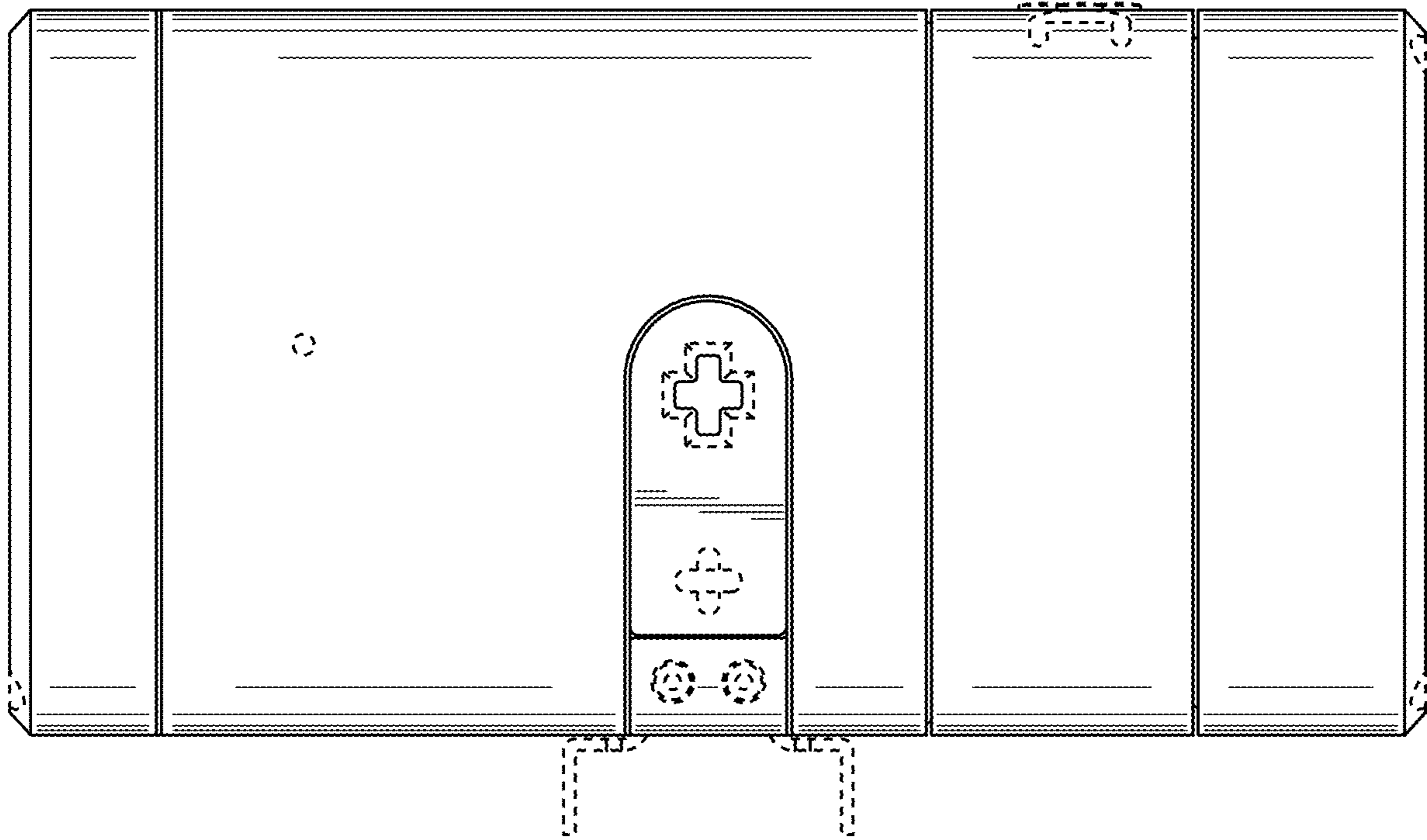


FIG. 7

