



US00D961182S

(12) **United States Design Patent**
Park et al.

(10) **Patent No.:** **US D961,182 S**

(45) **Date of Patent:** **** Aug. 16, 2022**

(54) **GOLF CART**

(71) Applicant: **LG ELECTRONICS INC.**, Seoul (KR)

(72) Inventors: **Inhwan Park**, Seoul (KR); **Geunsik Song**, Seoul (KR); **Michael Zheng**, Shenzhen (CN)

(73) Assignee: **LG ELECTRONICS INC.**, Seoul (KR)

(**) Term: **15 Years**

(21) Appl. No.: **29/751,979**

(22) Filed: **Sep. 24, 2020**

(30) **Foreign Application Priority Data**

Mar. 27, 2020 (KR) 30-2020-0013875

(51) **LOC (13) Cl.** **12-02**

(52) **U.S. Cl.**
USPC **D34/12**

(58) **Field of Classification Search**
USPC D34/12-27; D21/698, 771; D6/552
CPC B62B 3/00; B62B 3/02; B62B 3/12; B62B 3/04; B62B 2202/404
See application file for complete search history.

(56) **References Cited**

U.S. PATENT DOCUMENTS

D812,333 S * 3/2018 Gong D34/15
D865,312 S * 10/2019 Beaulieu D34/15
2018/0208226 A1 * 7/2018 Tse A63B 55/61

OTHER PUBLICATIONS

Steward Caddie, announced Jun. 2018 [online], [site visited Dec. 2, 2021]. Available from internet, URL: <https://www.golfcaddieoutlet.com/products/stewart-x10-remote> (Year: 2018).*

* cited by examiner

Primary Examiner — Cynthia Ramirez

Assistant Examiner — Tamara L Hahn

(74) *Attorney, Agent, or Firm* — Birch, Stewart, Kolasch & Birch, LLP

(57) **CLAIM**

The ornamental design for a golf cart, as shown and described.

DESCRIPTION

FIG. 1 is a front perspective view of the golf cart showing our new design;

FIG. 2 is a front view thereof;

FIG. 3 is a back view thereof;

FIG. 4 is a left side view thereof;

FIG. 5 is a right side view thereof;

FIG. 6 is a top plan view thereof;

FIG. 7 is a bottom plan view thereof;

FIG. 8 is a reference view showing the state of use that the upper part of the claimed design has been folded;

FIG. 9 is a reference view showing the state of use that the lower part of the claimed design has been folded;

FIG. 10 is a reference view showing the state of use that the golf balls has been kept at the upper part, and the umbrella stand and the cup holder have been attached to both sides of the upper part; and,

FIG. 11 is a reference view showing the state of use that the golf bag has been loaded at the center and fastened with a belt.

The broken lines showing the golf balls, umbrella stand, cup holder, and golf bag in FIGS. 10 and 11 depict environment and form no part of the claimed design. All other broken lines depict portions of a golf cart and form no part of the claimed design.

1 Claim, 11 Drawing Sheets

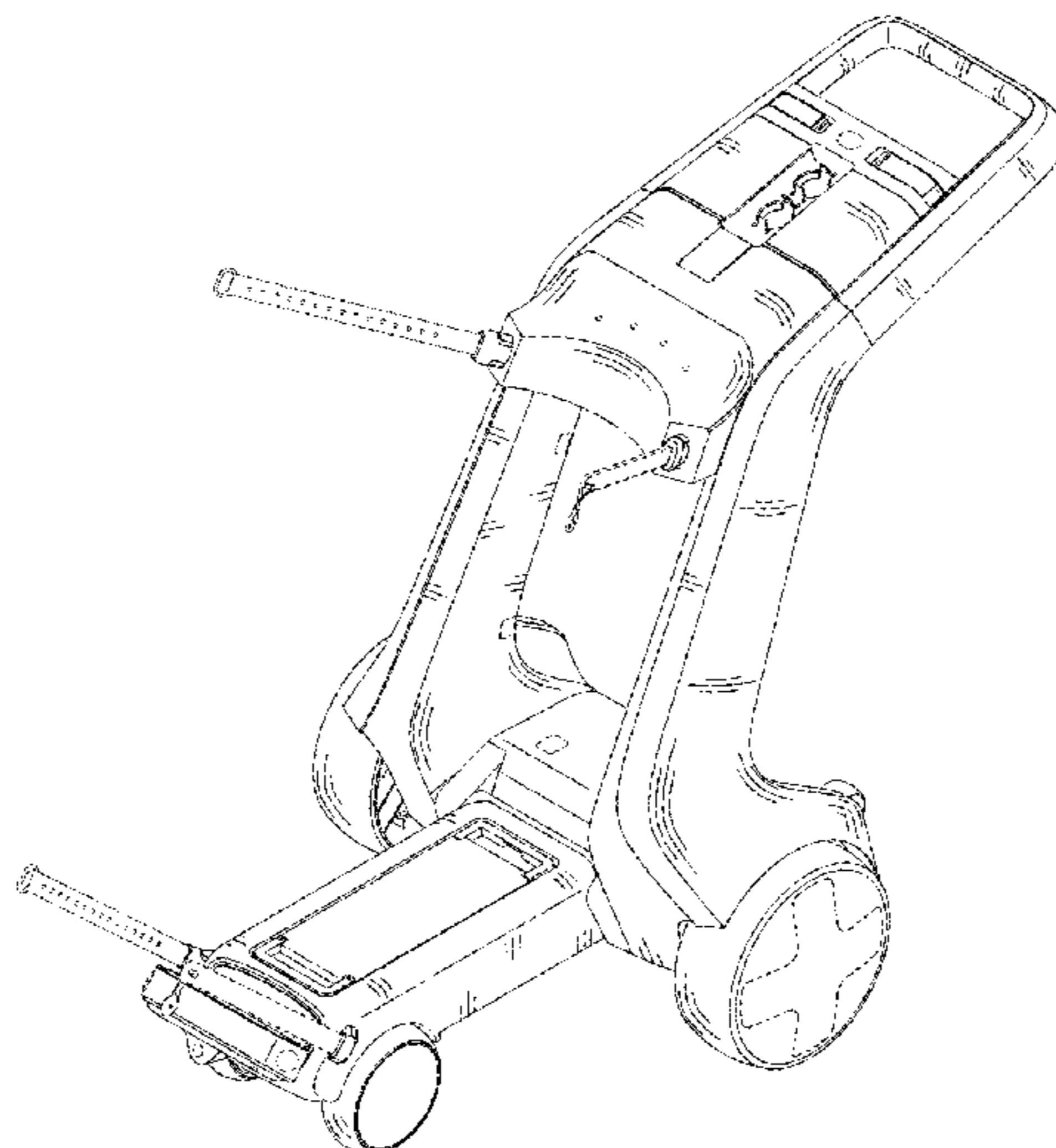


FIG. 1

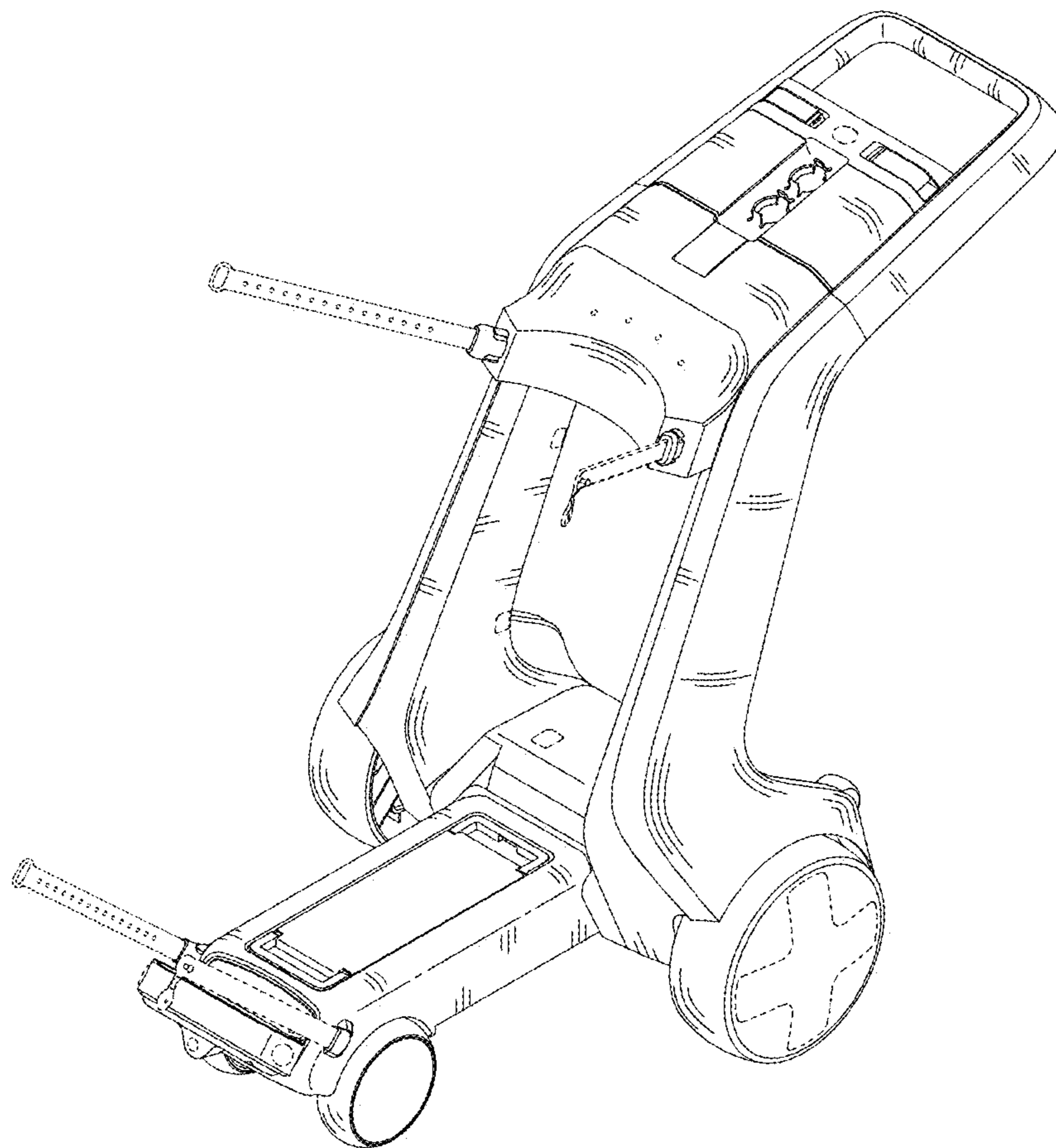


FIG. 2

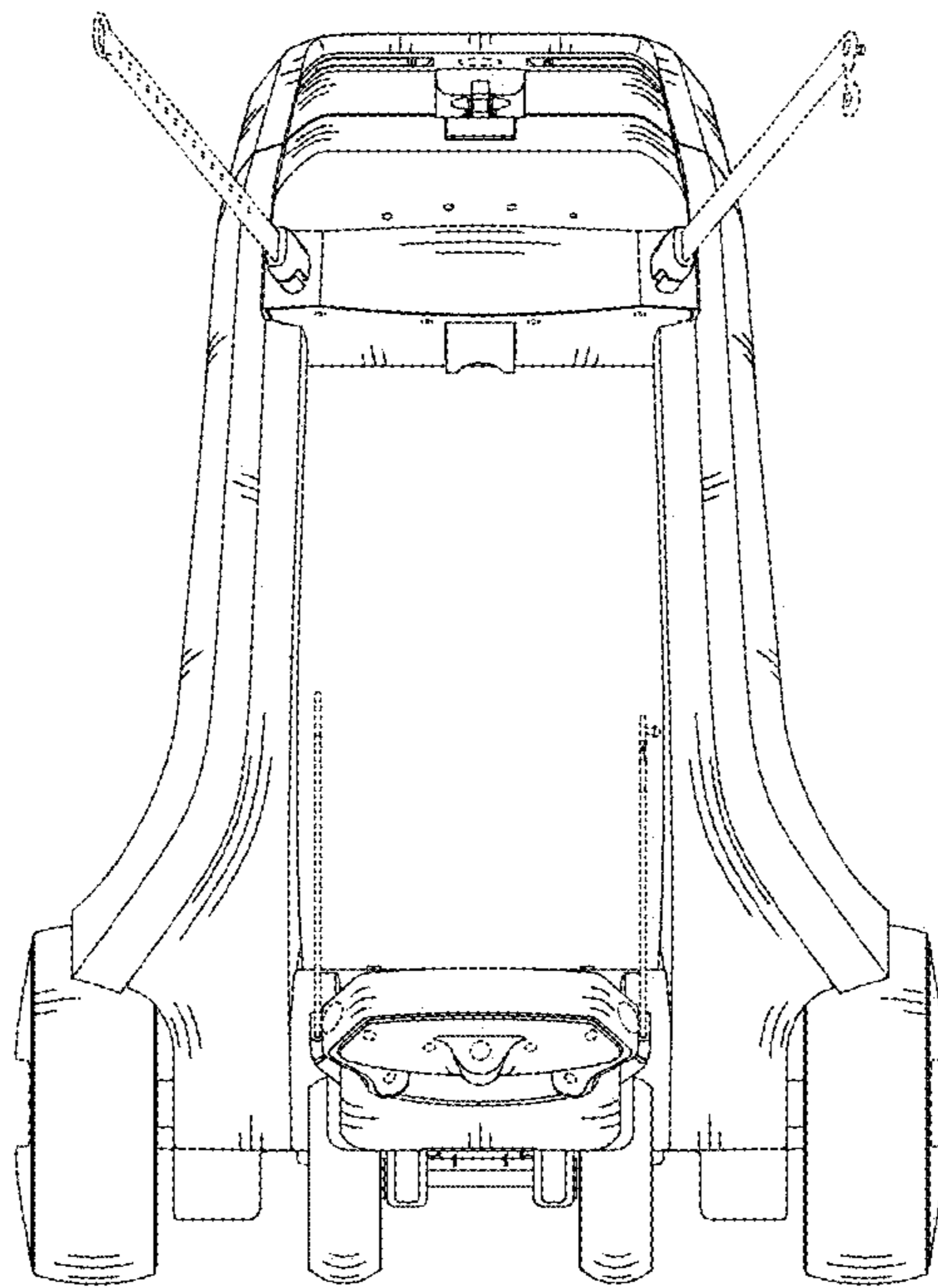


FIG. 3

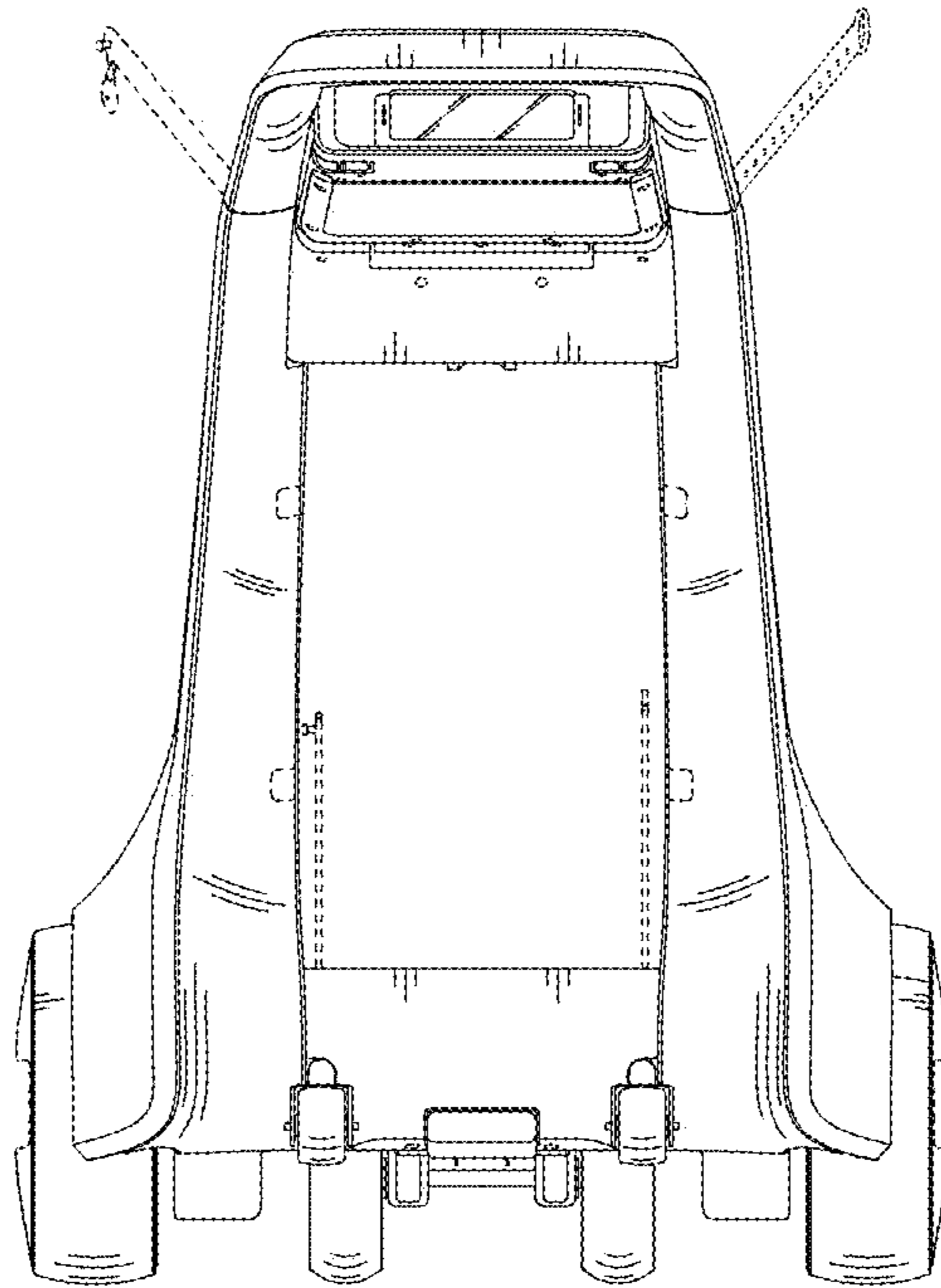


FIG. 4

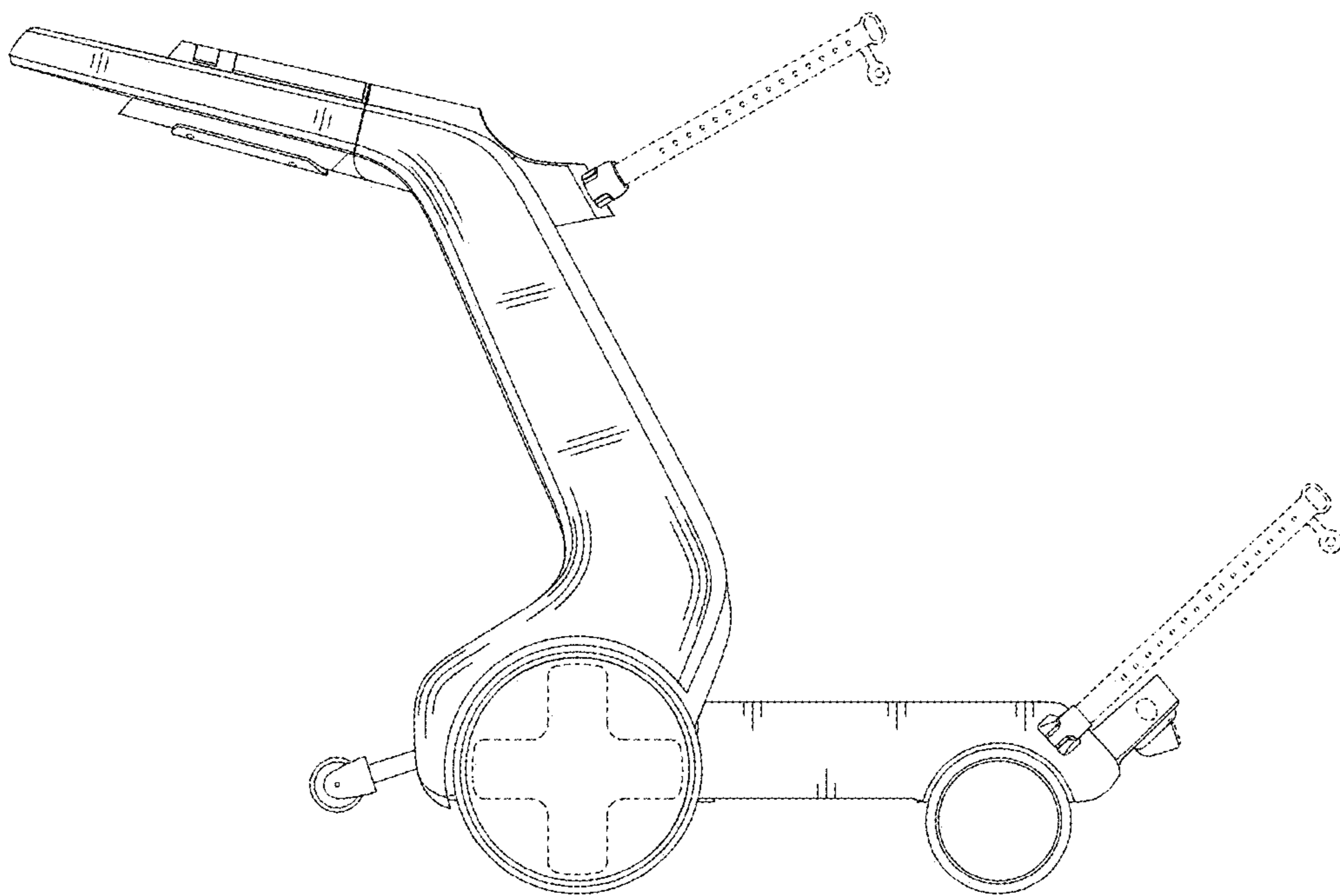


FIG. 5

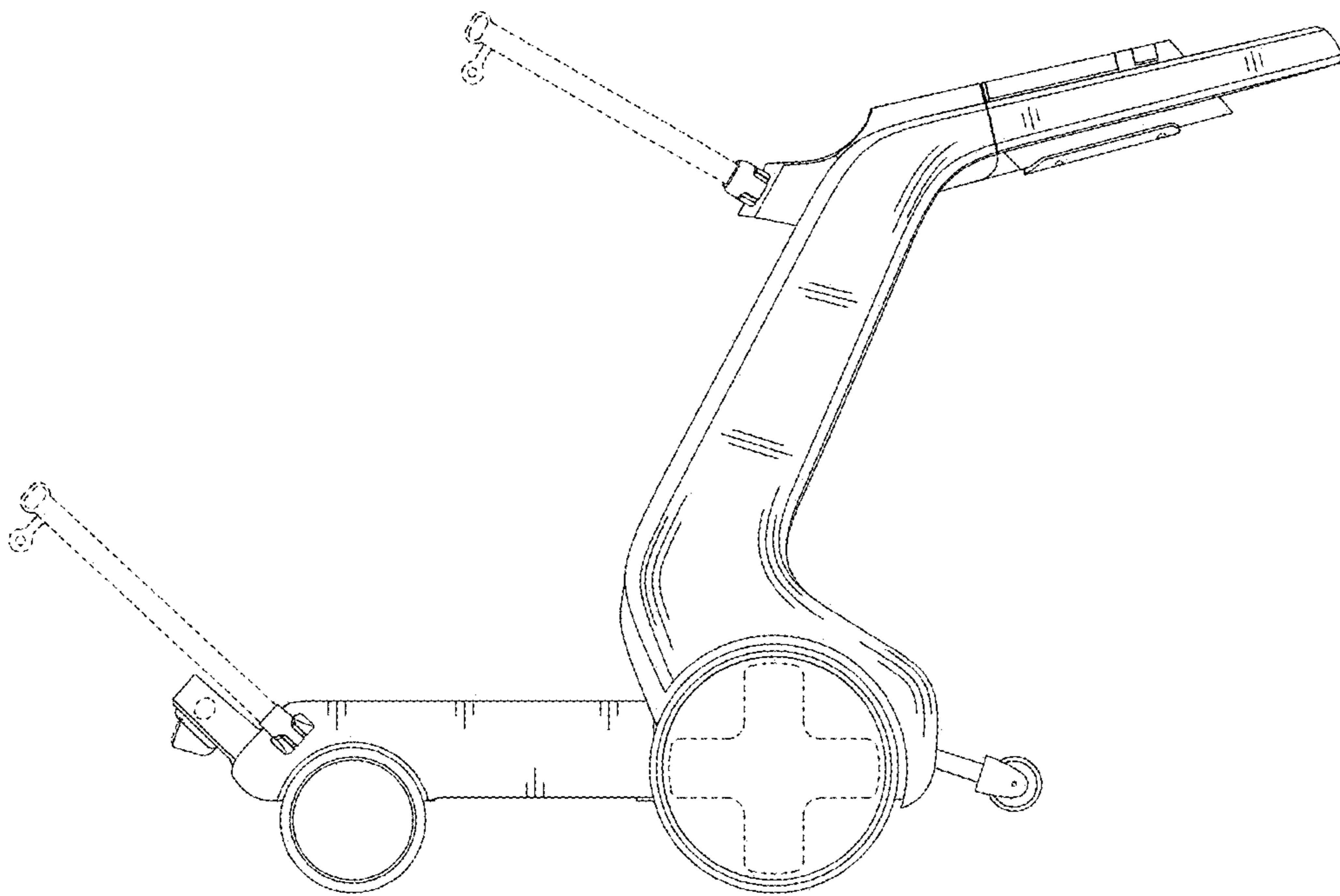


FIG. 6

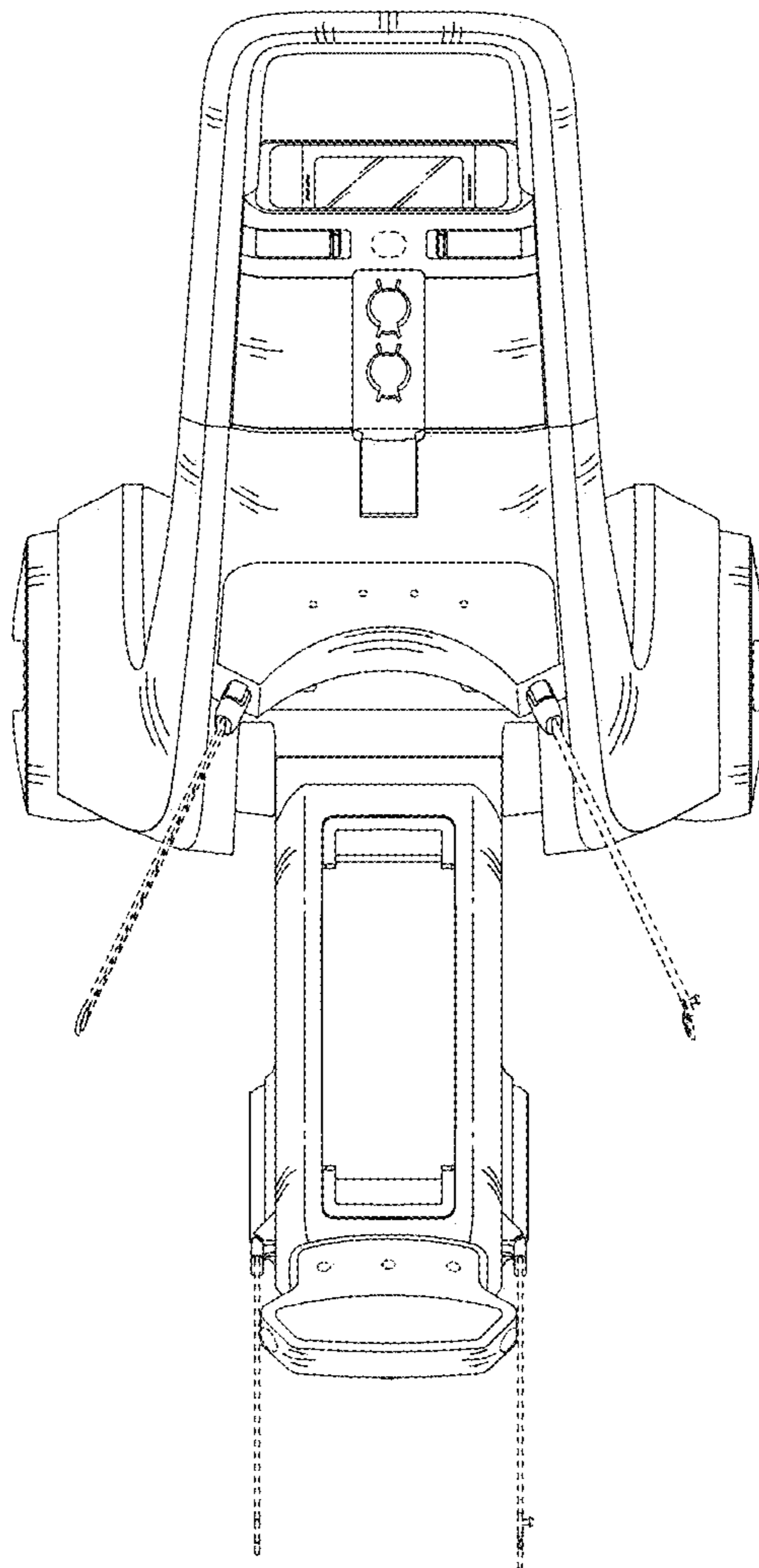


FIG. 7

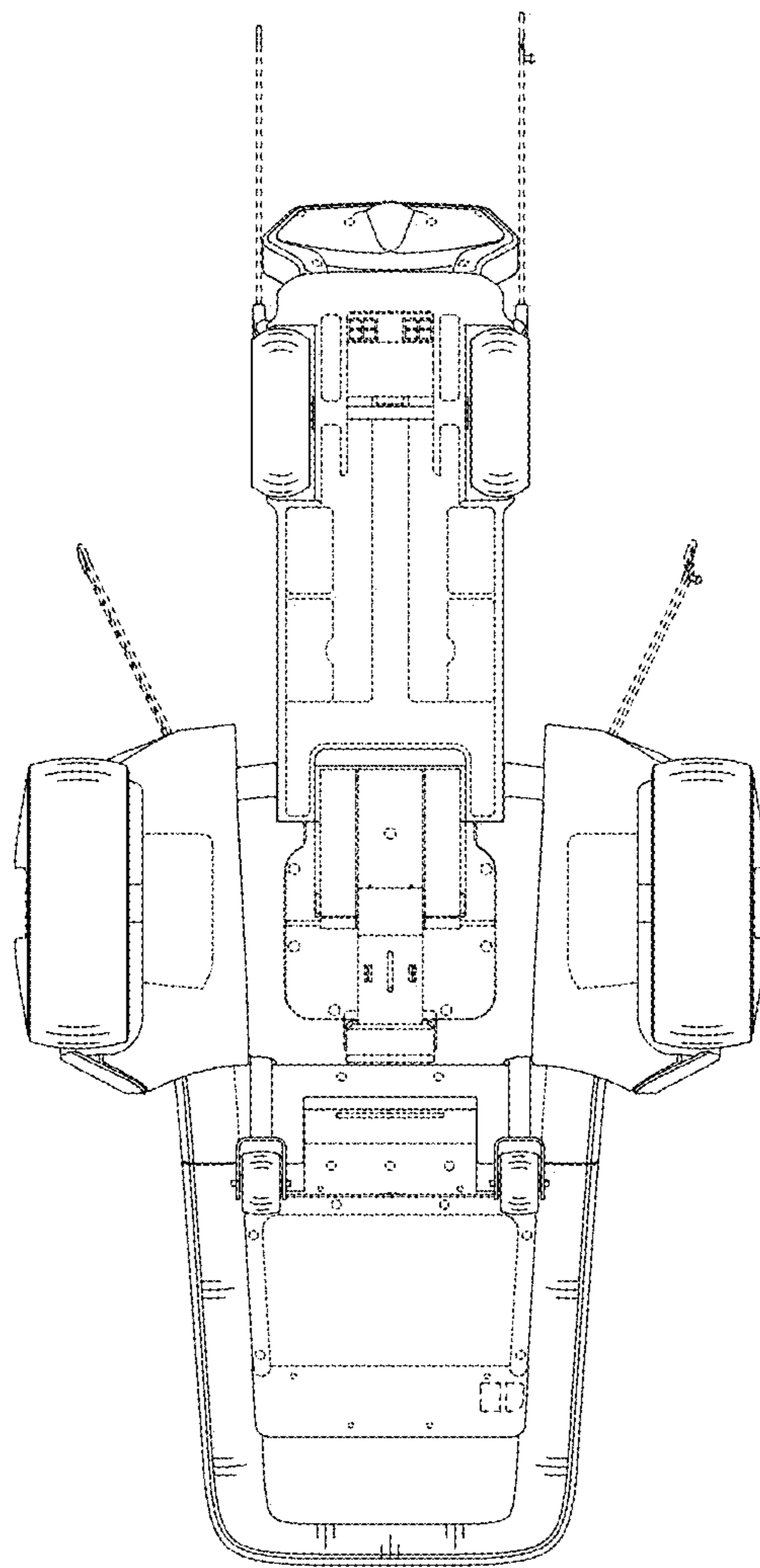


FIG. 8

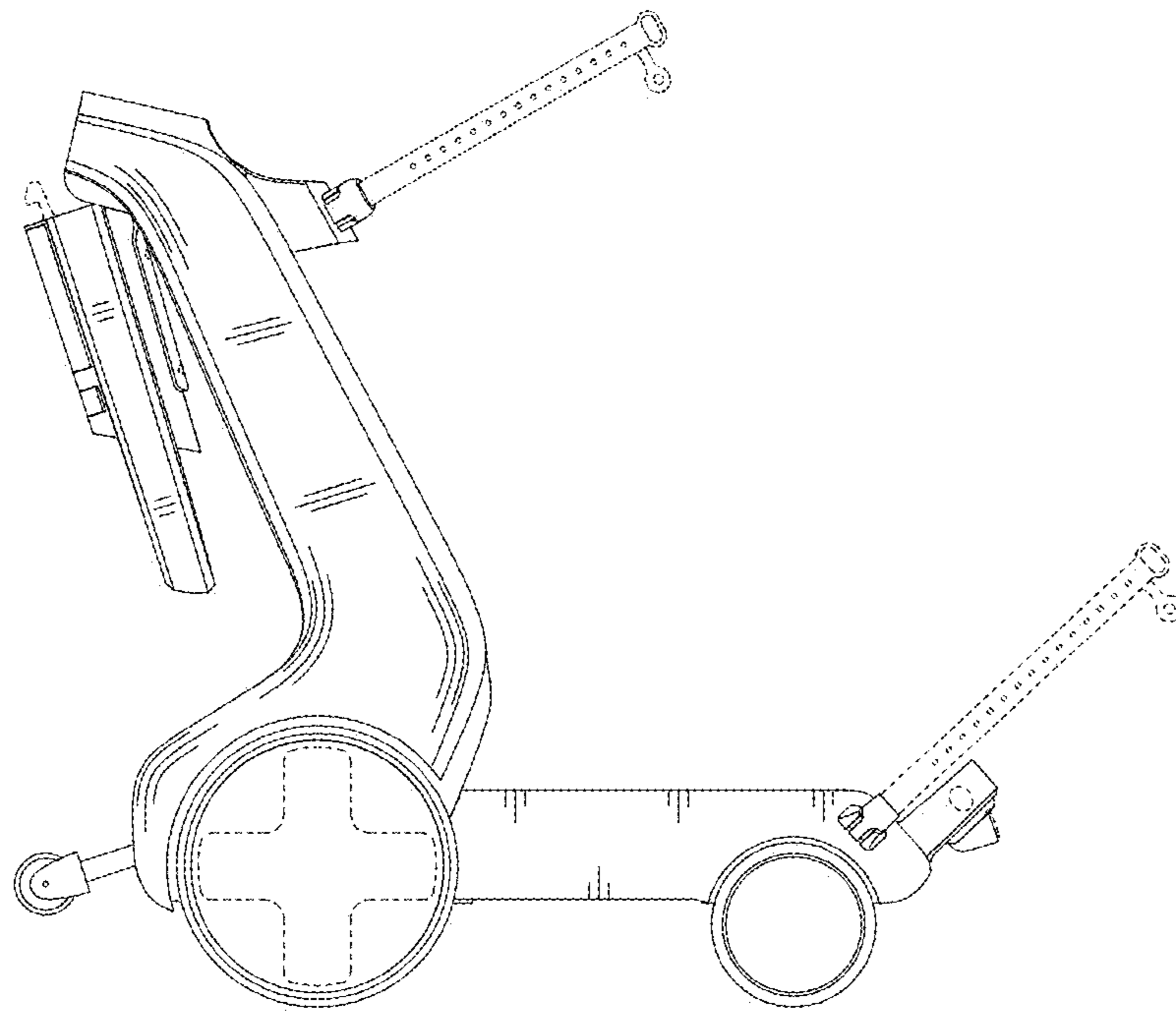


FIG. 9

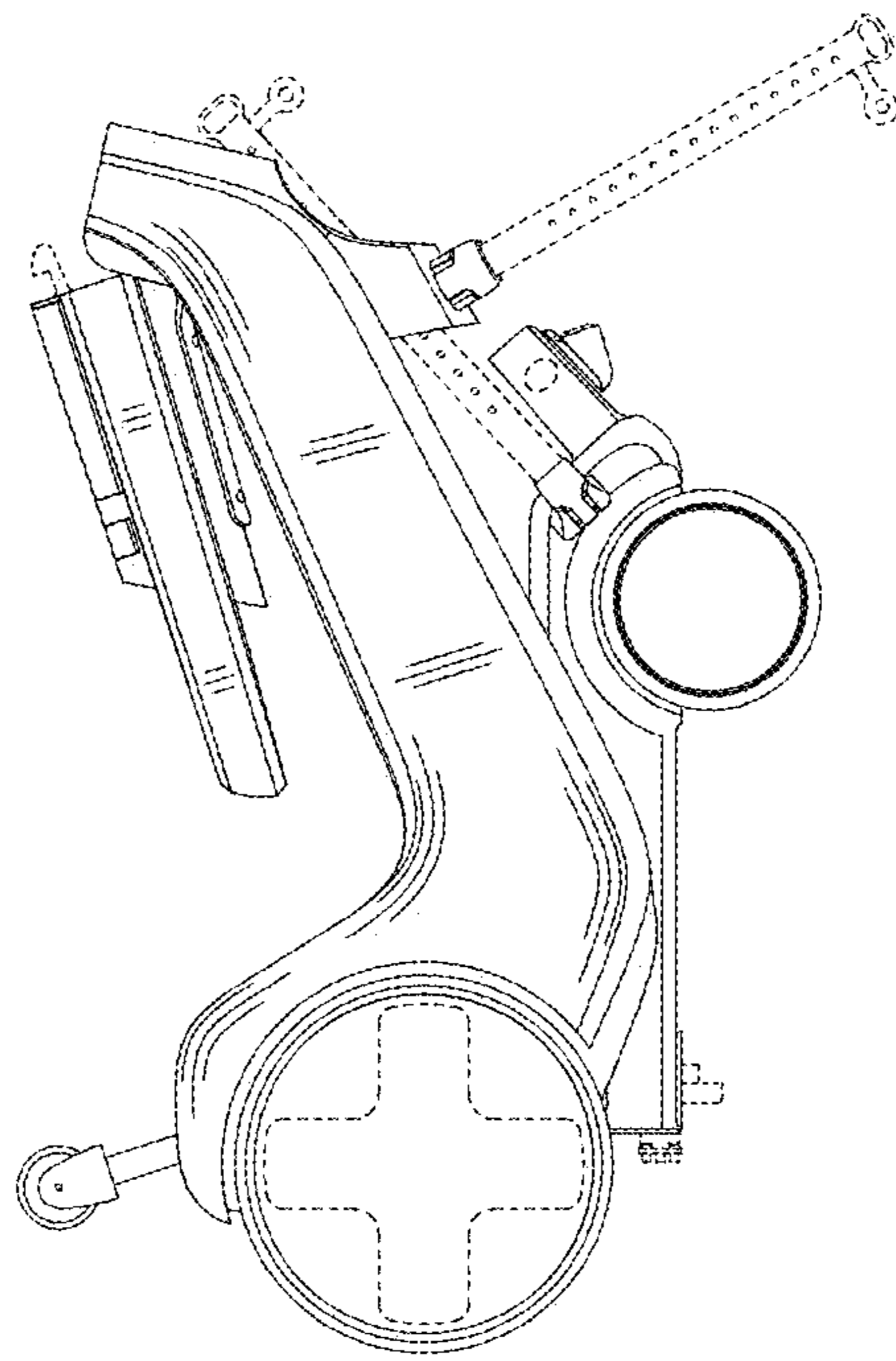


FIG. 10

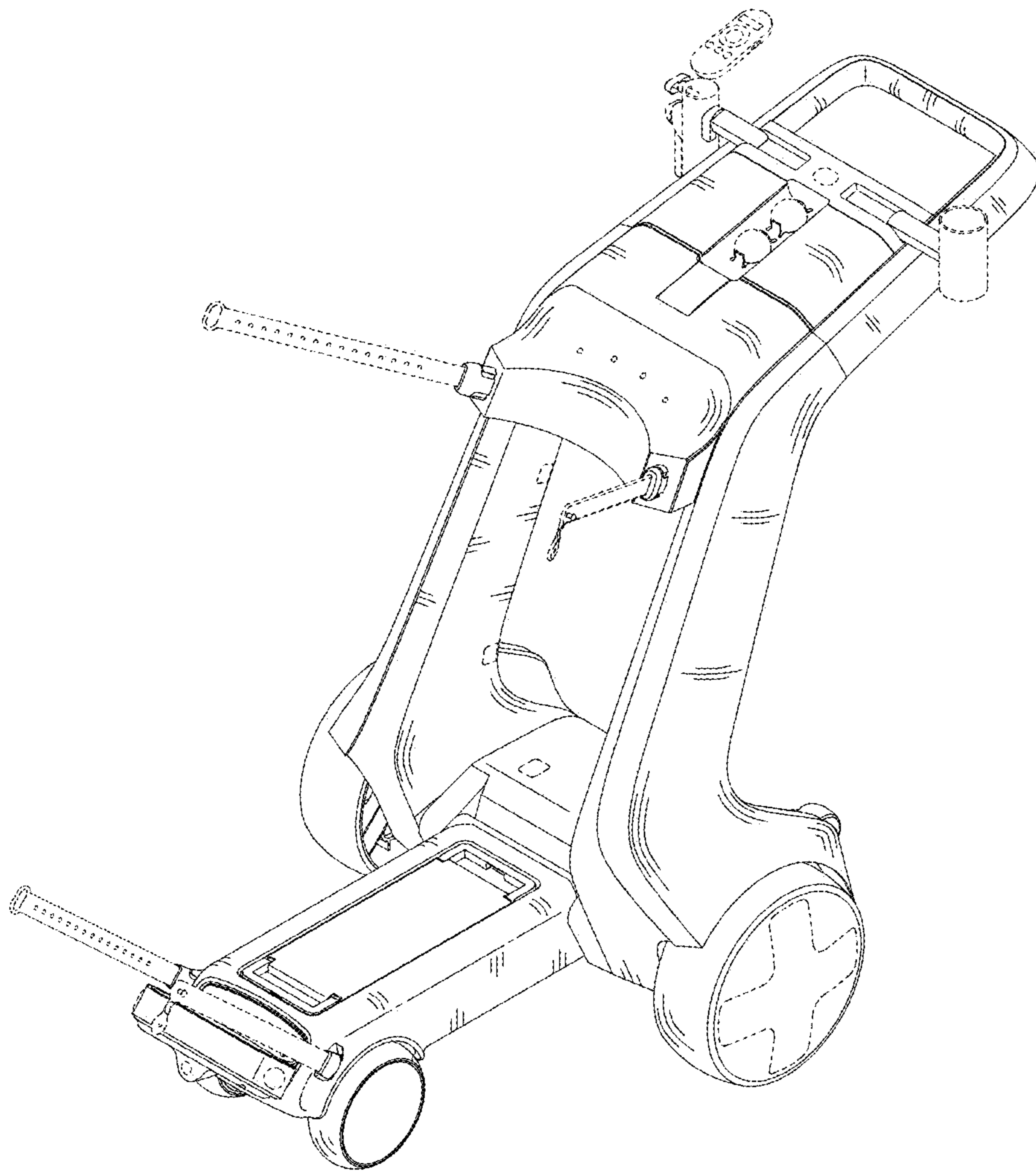


FIG. 11

