



US00D961180S

(12) **United States Design Patent**
Park et al.

(10) **Patent No.:** **US D961,180 S**

(45) **Date of Patent:** **** Aug. 16, 2022**

(54) **STAND FOR IRONING BOARD**

(71) Applicant: **LG ELECTRONICS INC.**, Seoul (KR)

(72) Inventors: **Kyutae Park**, Seoul (KR); **Hoil Jeon**, Seoul (KR); **Youngsoo Ha**, Seoul (KR); **Kyungah Lee**, Seoul (KR); **Jaecil Bae**, Seoul (KR)

(73) Assignee: **LG ELECTRONICS INC.**, Seoul (KR)

(**) Term: **15 Years**

(21) Appl. No.: **29/752,927**

(22) Filed: **Sep. 29, 2020**

(30) **Foreign Application Priority Data**

Apr. 17, 2020 (KR) 30-2020-0017183

(51) **LOC (13) Cl.** **07-05**

(52) **U.S. Cl.**
USPC **D32/66**

(58) **Field of Classification Search**
USPC D32/9, 60, 66, 73; D21/526; D3/279;
D12/133; D34/12, 23, 27; D6/675
(Continued)

(56) **References Cited**

U.S. PATENT DOCUMENTS

D91,120 S * 11/1933 Nelson D32/9
D95,037 S * 4/1935 Haney D32/9
(Continued)

FOREIGN PATENT DOCUMENTS

RU 00121944 * 10/2020
RU 00124531 * 3/2021
(Continued)

OTHER PUBLICATIONS

HomeRoots Freestanding Ironing Board, available in wayfair.com, customer review oldest date Sep. 28, 2020 [online], [site visited Oct.

20, 2021], Available from the internet URL: <https://www.wayfair.com/storage-organization/pdp/homeroots-freestanding-ironing-board-hmr9650.html> (Year: 2020).*

(Continued)

Primary Examiner — Amy C Wierenga
Assistant Examiner — Jennylou M Binas

(74) *Attorney, Agent, or Firm* — Birch, Stewart, Kolasch & Birch, LLP

(57) **CLAIM**

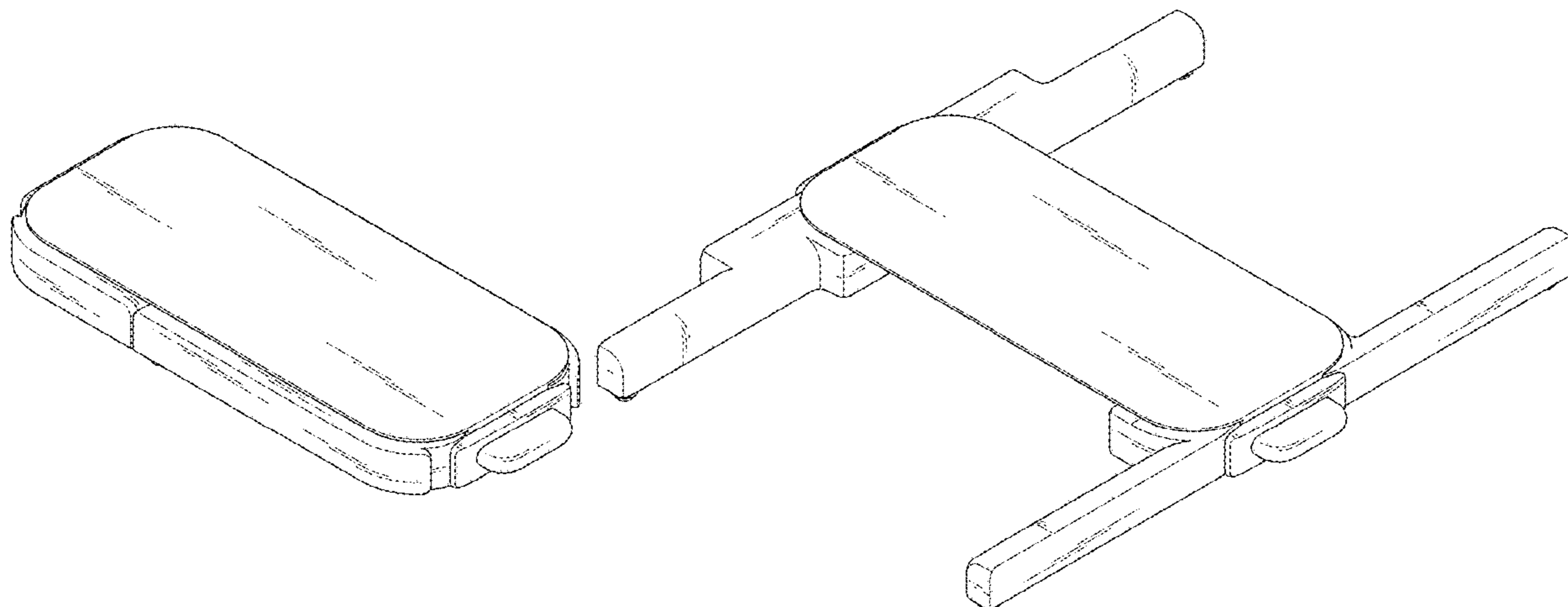
We claim the ornamental design for a stand for ironing board, as shown and described.

DESCRIPTION

FIG. 1 is a perspective view of a stand for ironing board showing the new design;
FIG. 2 is a front elevation view thereof;
FIG. 3 is a rear elevation view thereof;
FIG. 4 is a left side elevation view thereof;
FIG. 5 is a right side elevation view thereof;
FIG. 6 is a top plan view thereof;
FIG. 7 is a bottom plan view thereof;
FIG. 8 is a perspective view of the stand for ironing board shown in a state of use;
FIG. 9 is a perspective view of the stand for ironing board showing an alternate configuration with the leg portions extended;
FIG. 10 is a front elevation view thereof;
FIG. 11 is a rear elevation view thereof;
FIG. 12 is a left side elevation view thereof;
FIG. 13 is a right side elevation view thereof;
FIG. 14 is a top plan view thereof;
FIG. 15 is a bottom plan view thereof; and,
FIG. 16 is a perspective view of the stand for ironing board shown in a state of use.

The broken lines shown in the drawings depict portions of the stand for ironing board that form no part of the claimed design. The broken line showing of the ironing board in

(Continued)



FIGS. 8 and 16 is for the purpose of illustrating environmental structure and forms no part of the claimed design.

1 Claim, 16 Drawing Sheets

(58) **Field of Classification Search**

CPC A47B 39/06; A47B 46/00; A47B 61/02;
 A47B 63/04; A47B 77/10; A47B 77/16;
 D06F 81/00; D06F 81/003; D06F 81/006;
 D06F 81/02; D06F 81/04; D06F 81/06;
 D06F 81/08; D06F 81/12; D06F 83/00;
 Y10S 38/00; Y10S 38/01; Y10S 38/02;
 Y10S 38/03; Y10T 292/305

See application file for complete search history.

(56) **References Cited**

U.S. PATENT DOCUMENTS

D95,552 S * 5/1935 Sperlich et al. D32/9
 D97,433 S * 11/1935 Draeseke D32/9
 D98,072 S * 1/1936 Keil D32/9
 D102,539 S * 12/1936 Altorfer D32/9
 2,067,719 A * 1/1937 McCabe D06F 65/06
 38/59
 2,172,614 A * 9/1939 Jensen A47B 35/00
 312/241
 D132,850 S * 6/1942 Cissell D32/73
 D221,633 S * 8/1971 Kotkowski D34/23

D349,384 S * 8/1994 Crinion D34/12
 D356,412 S * 3/1995 Hensley, Jr. D34/23
 D406,434 S * 3/1999 Boettcher, Jr. D34/23
 D408,109 S * 4/1999 Agtuca D34/23
 D459,044 S * 6/2002 Felsenthal D32/66
 D543,671 S * 5/2007 Chu D32/66
 D543,672 S * 5/2007 Chu D32/66
 D669,651 S * 10/2012 Ono D34/12
 D922,717 S * 6/2021 Bae D32/73
 D948,826 S * 4/2022 Bae D32/66
 D948,828 S * 4/2022 Park D32/66
 D948,829 S * 4/2022 Park D32/66
 D950,180 S * 4/2022 Bae D32/66
 D950,181 S * 4/2022 Bae D32/66

FOREIGN PATENT DOCUMENTS

RU 00125161 * 5/2021
 WO D206722-001 * 8/2021
 WO D207428-001 * 8/2021
 WO D207572-001 * 8/2021

OTHER PUBLICATIONS

Pearington Rolling Portable Ironing Board, Heavy Duty Folding Station Cart, Available in Amazon.com, date 1st available Apr. 26, 2017[online],[site visited Oct. 20, 2021],Available from the internet URL: https://www.amazon.com/dp/B071H4R4L2/ref=cm_sw_r_apan_glt_fabc_EZY93E5GFRB8258X6XH3?_encoding=UTF8&psc=1 (Year: 2017).*

* cited by examiner

FIG. 1

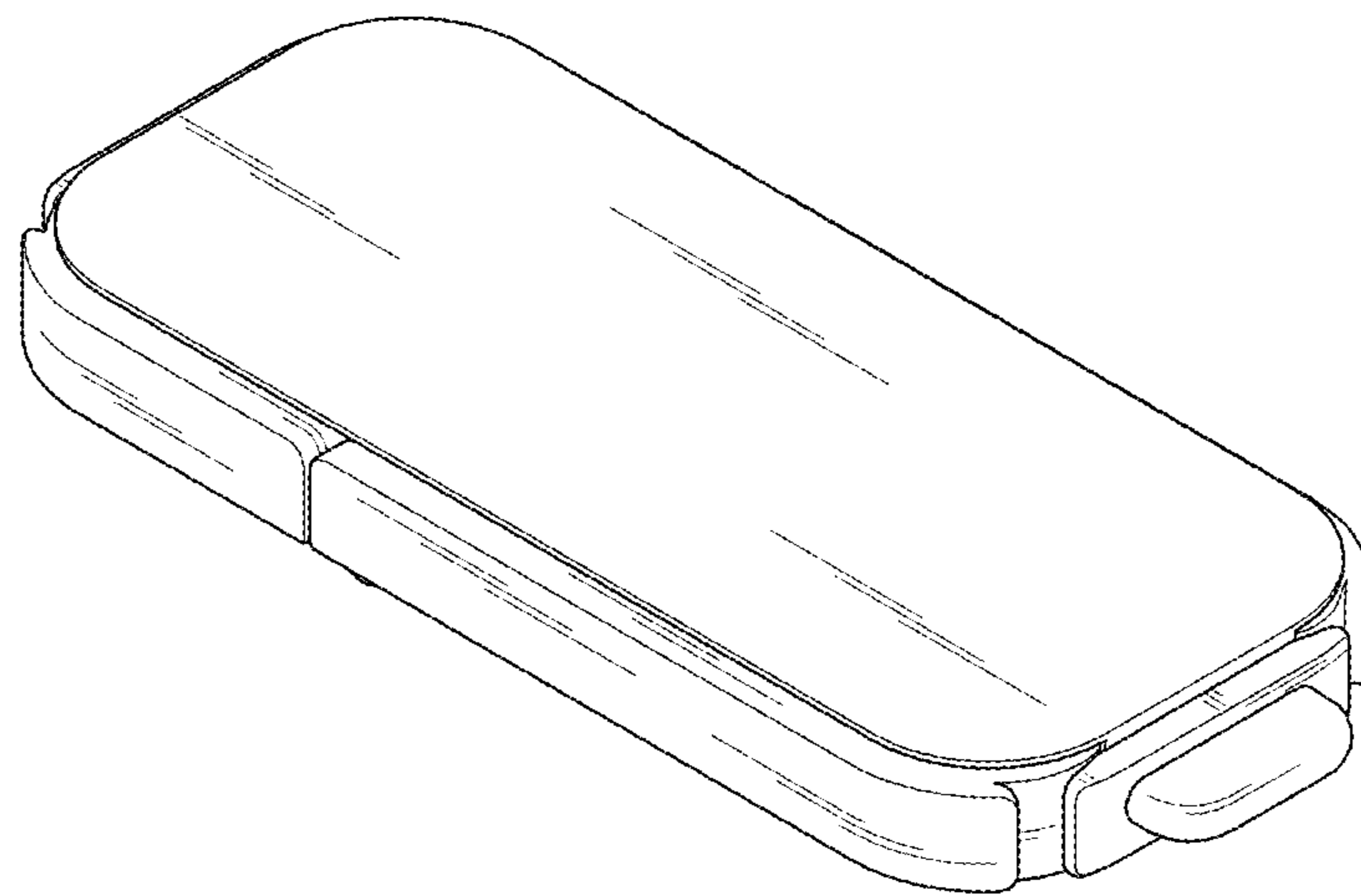


FIG. 2

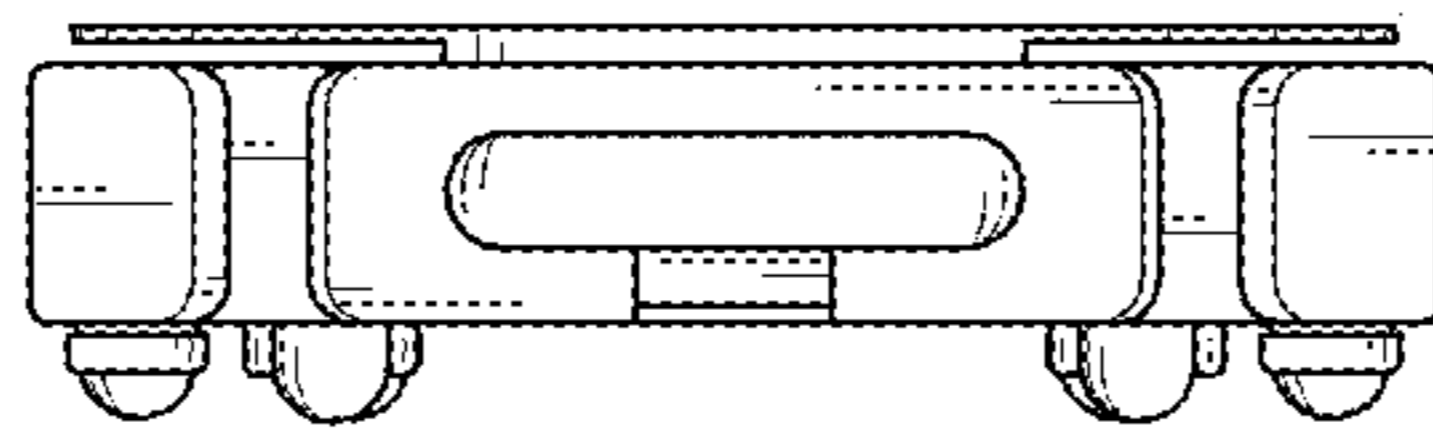


FIG. 3

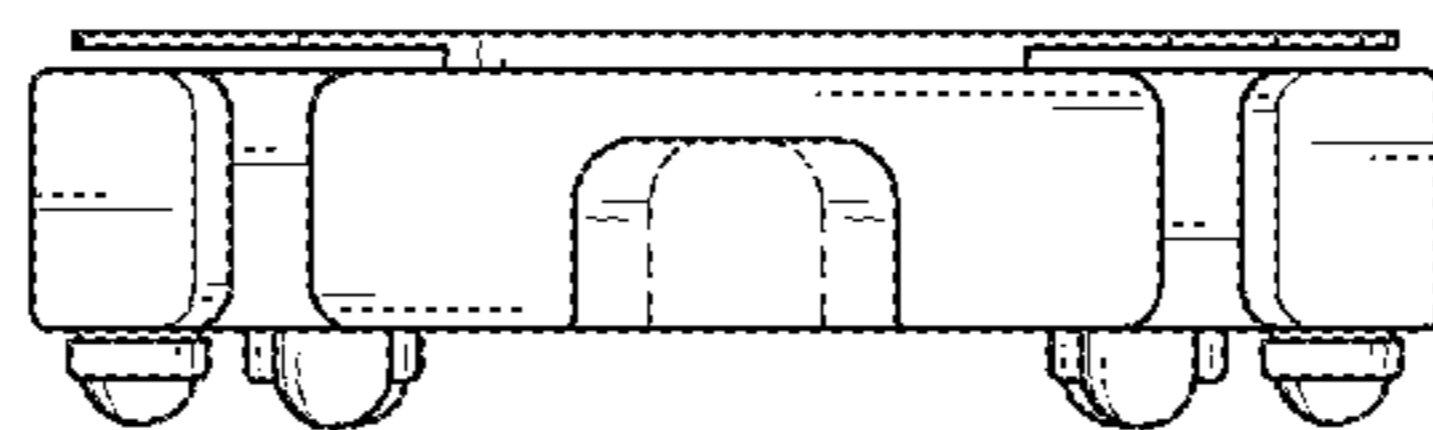


FIG. 4

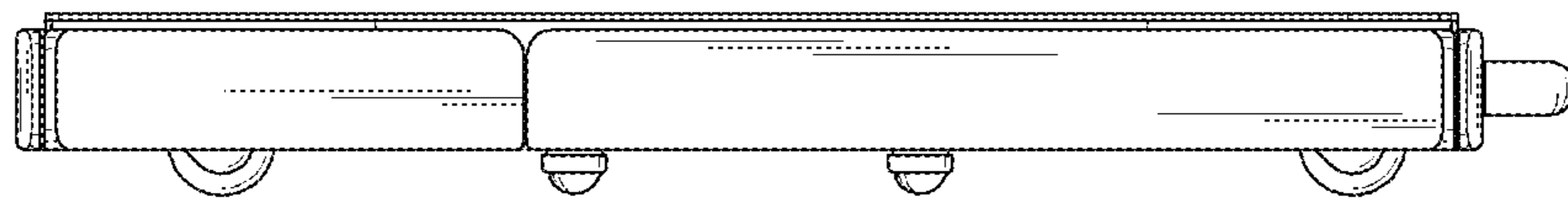


FIG. 5

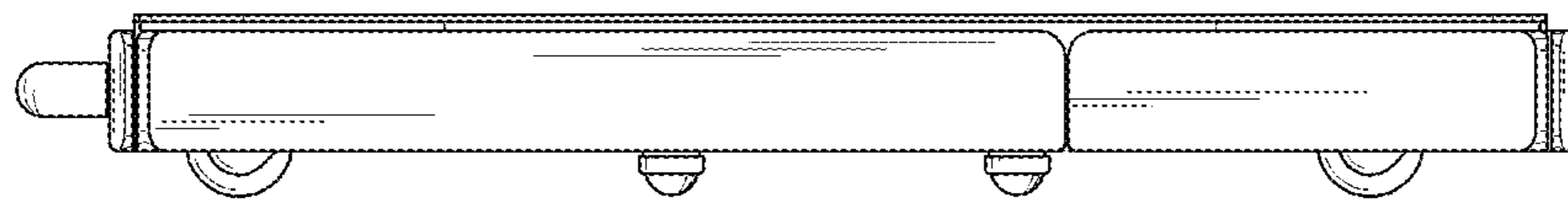


FIG. 6

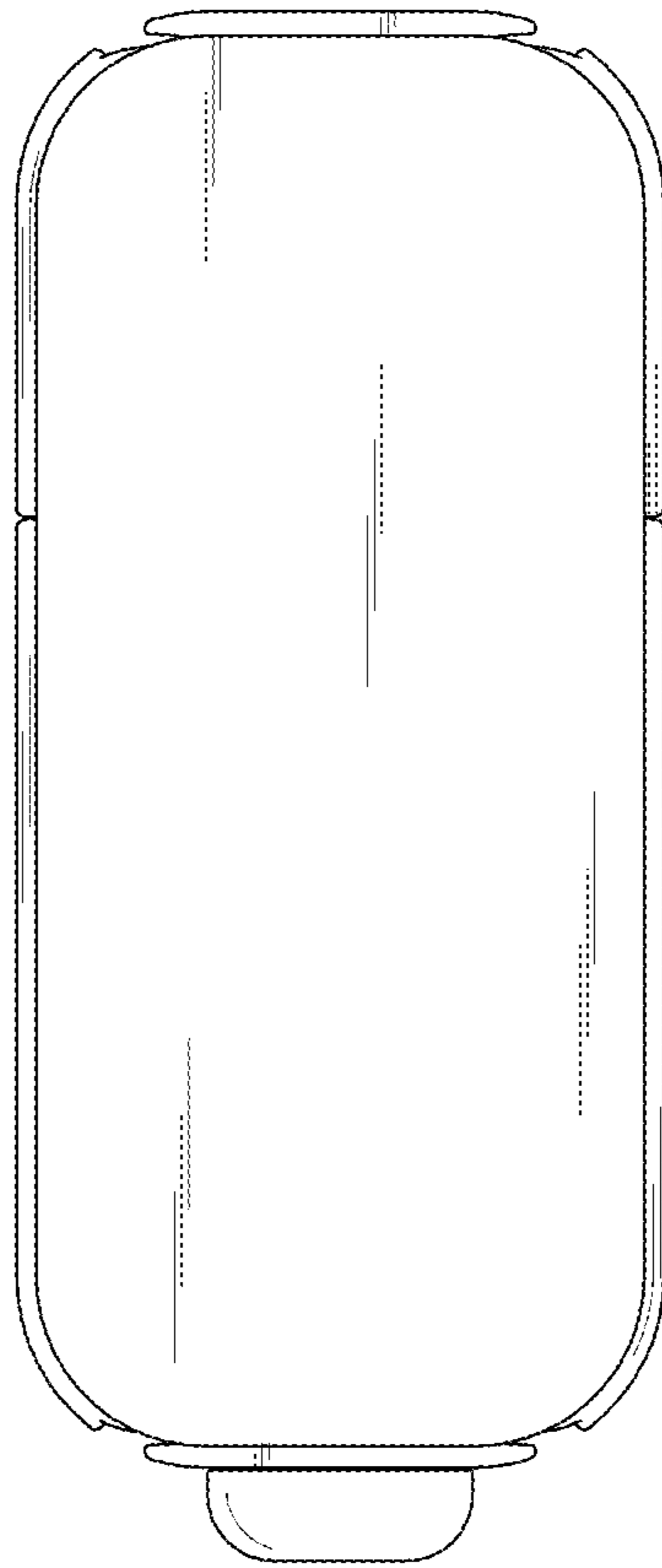


FIG. 7

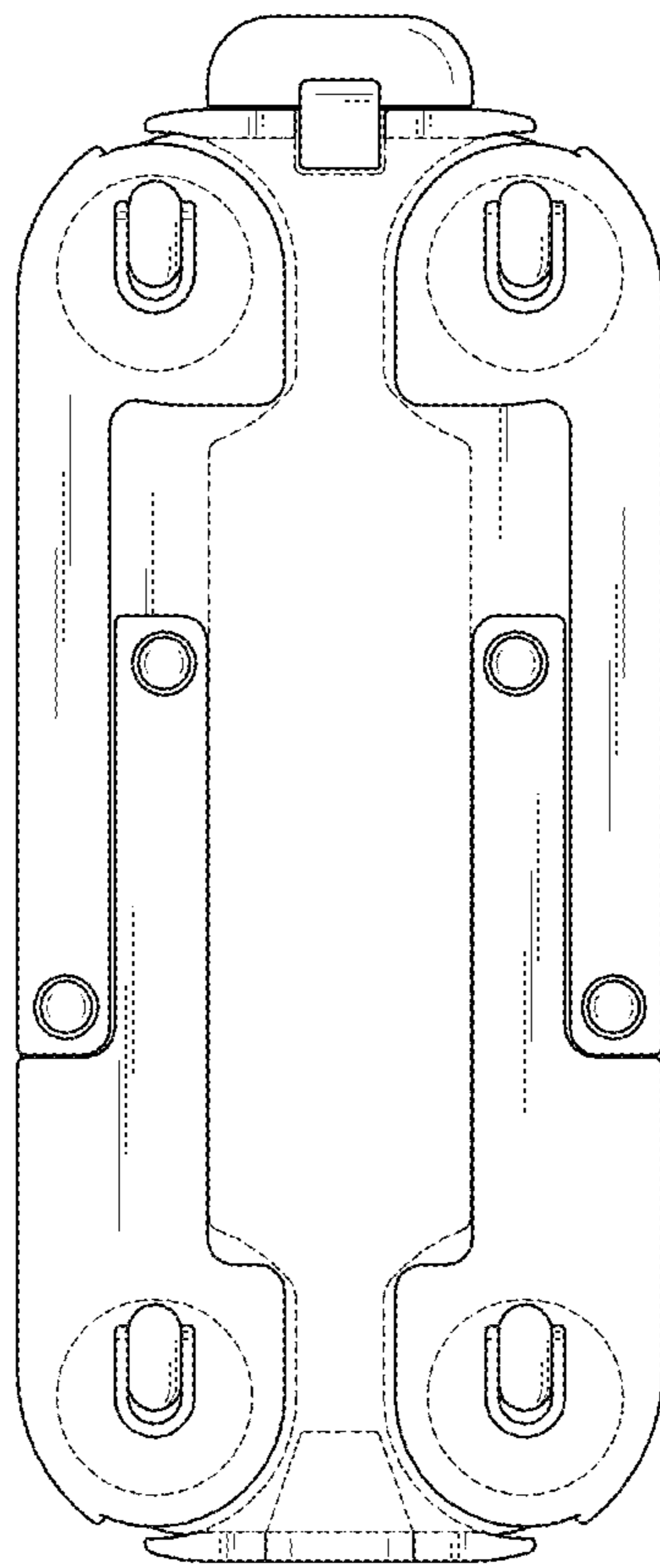


FIG. 8

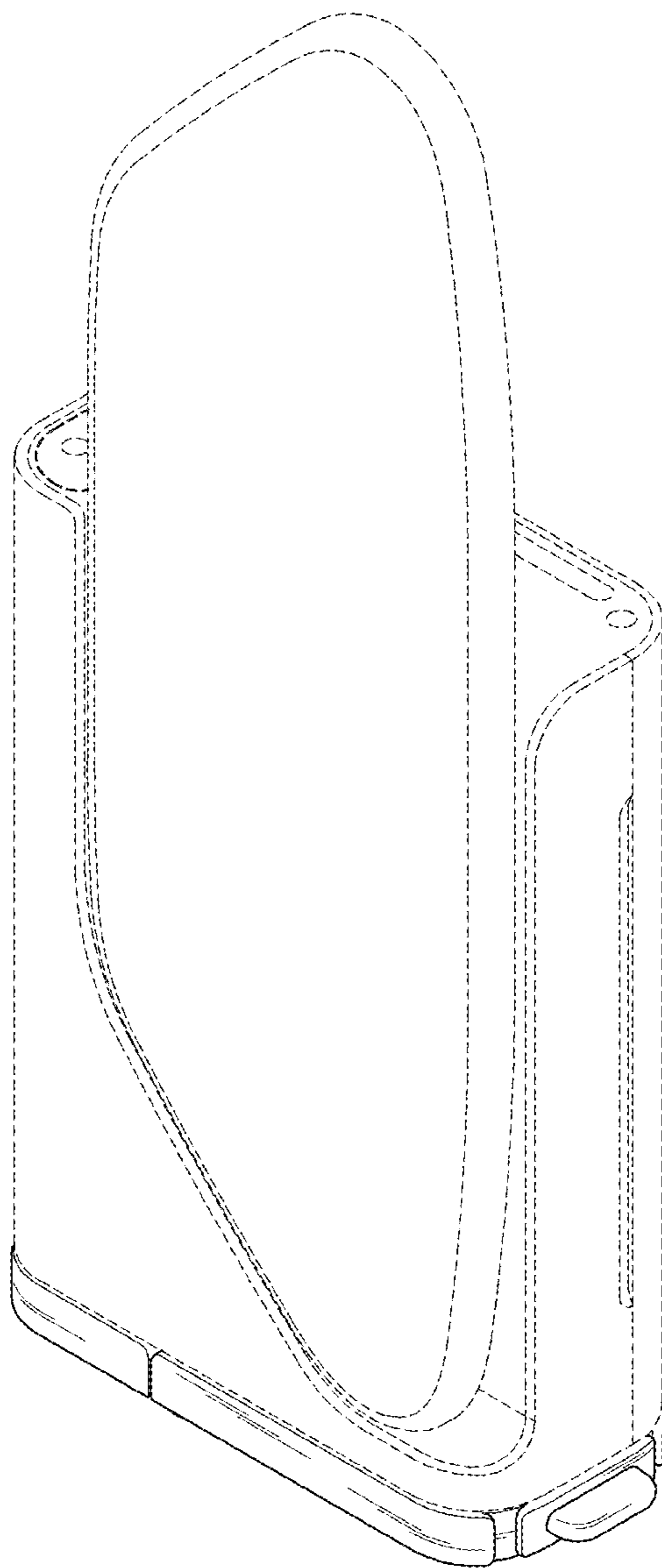


FIG. 9

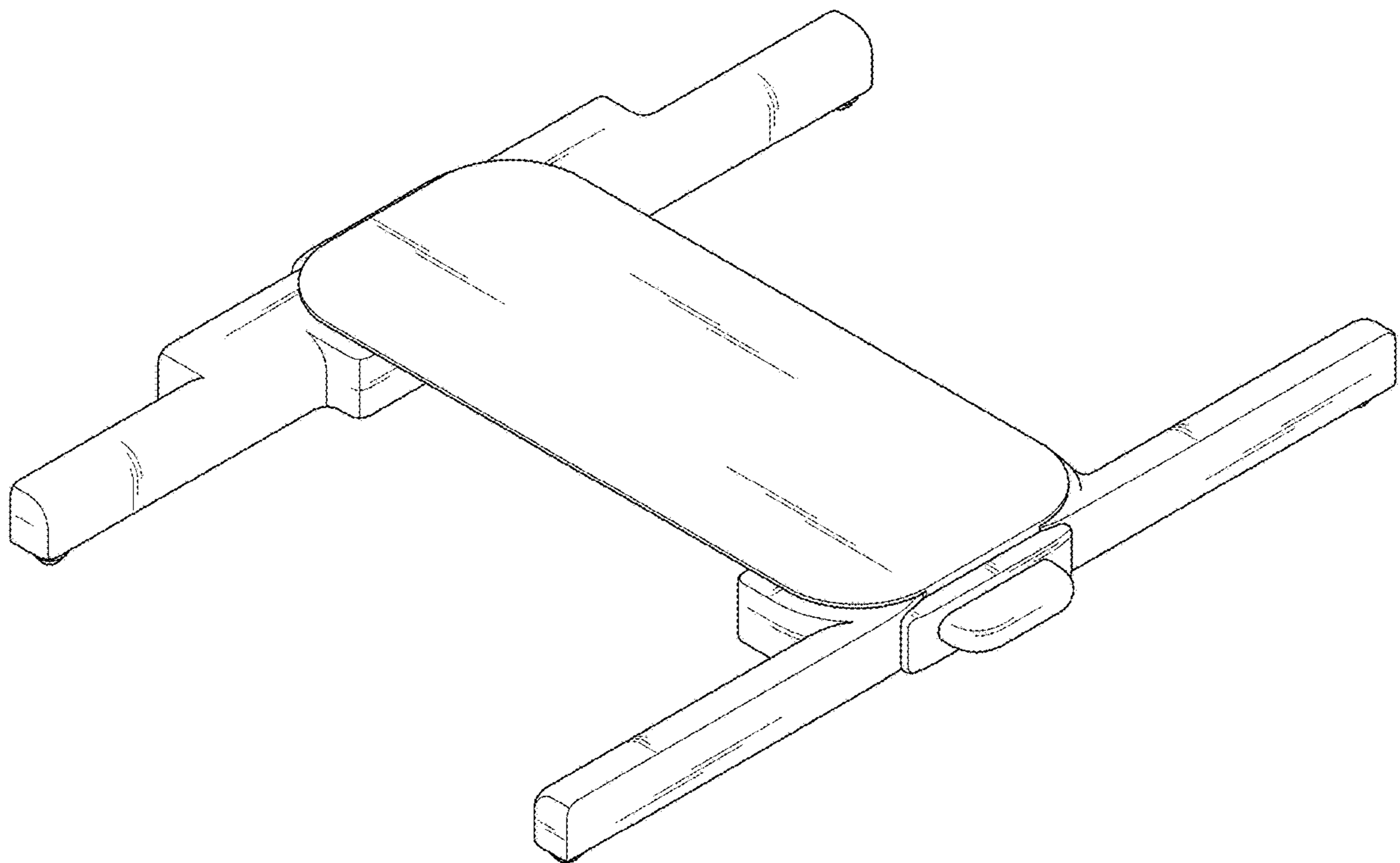


FIG. 10

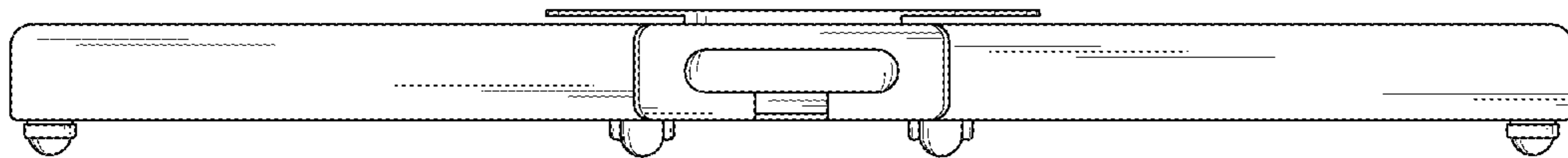


FIG. 11

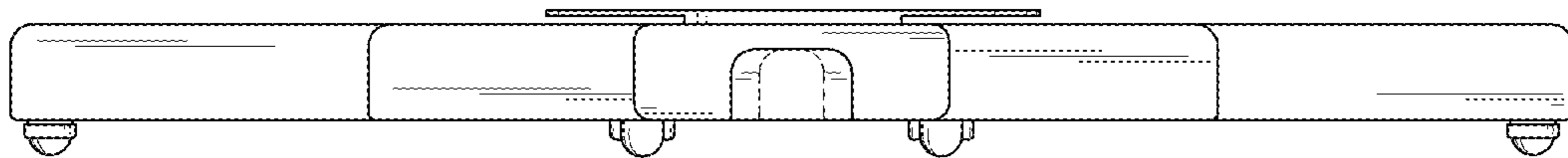


FIG. 12

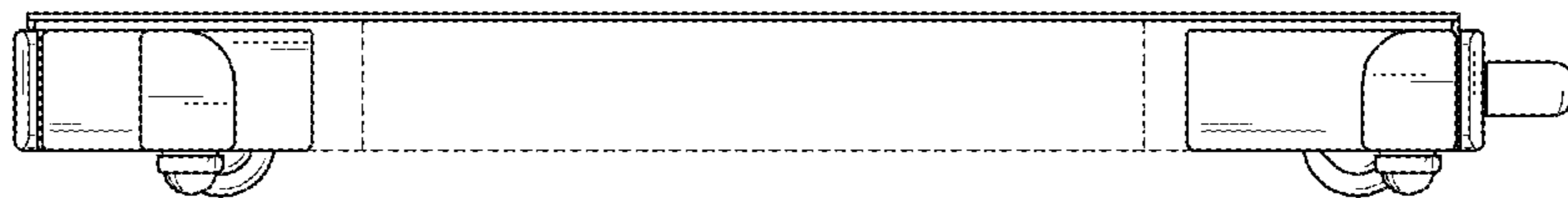


FIG. 13

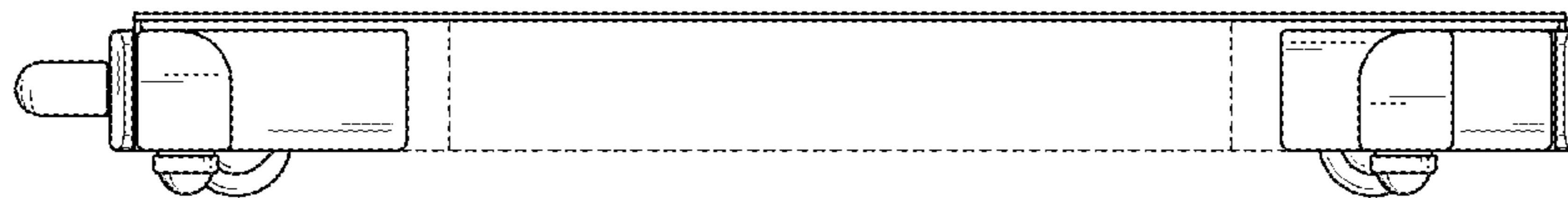


FIG. 14

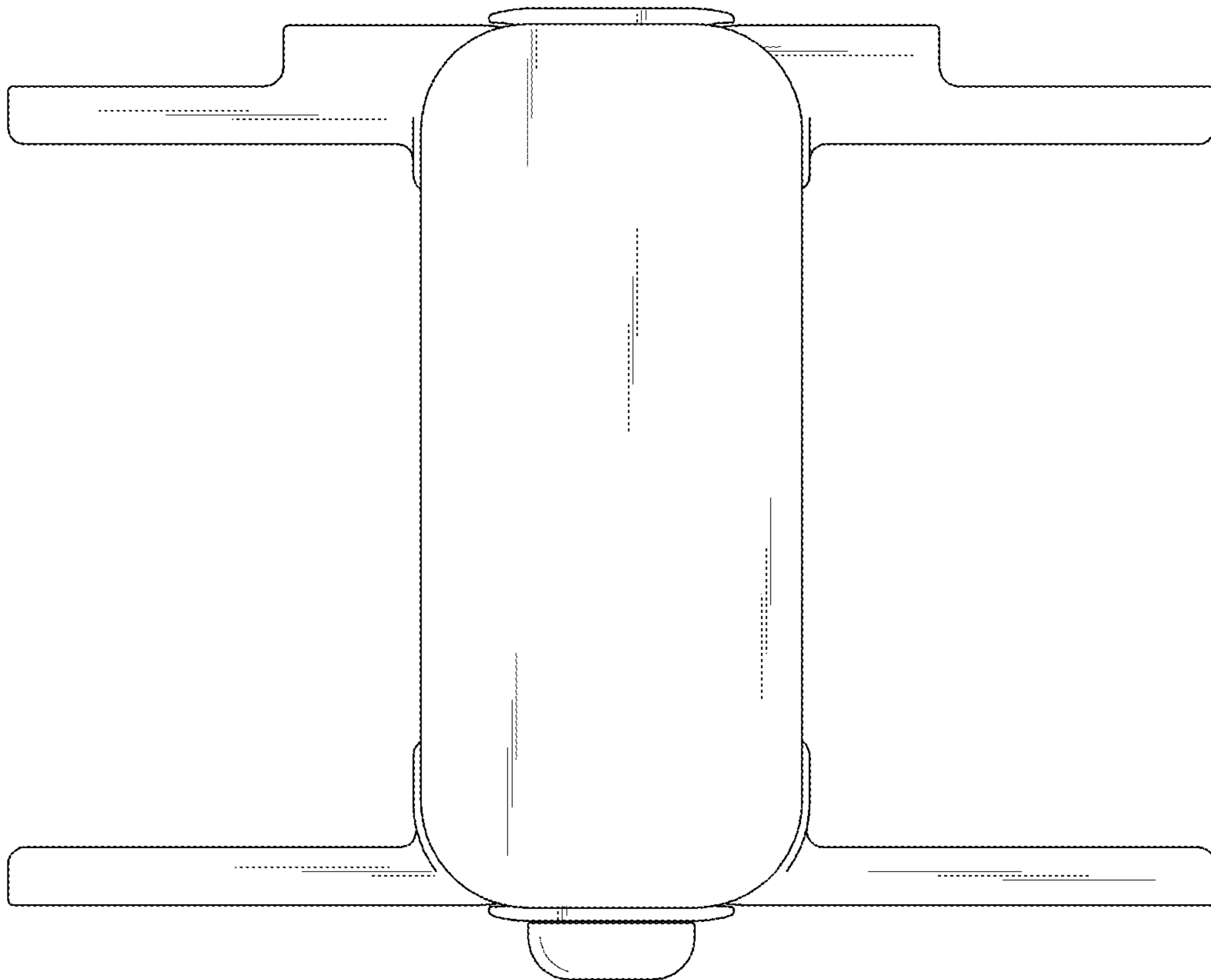


FIG. 15

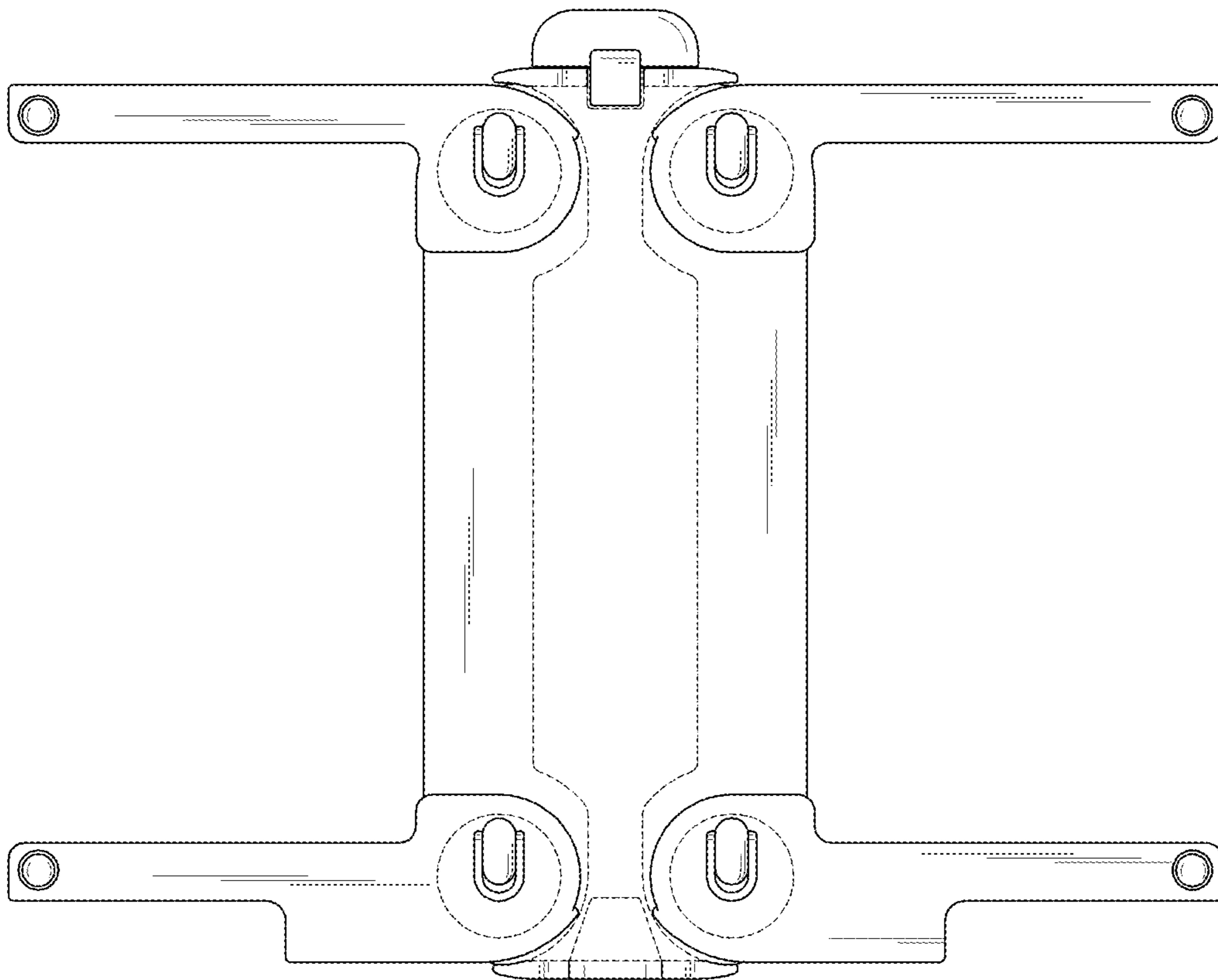


FIG. 16

