



US00D961179S

(12) **United States Design Patent**  
**Park et al.**

(10) **Patent No.:** **US D961,179 S**

(45) **Date of Patent:** **\*\* Aug. 16, 2022**

(54) **STAND FOR IRONING BOARD**

(71) Applicant: **LG ELECTRONICS INC.**, Seoul (KR)

(72) Inventors: **Kyutae Park**, Seoul (KR); **Hoil Jeon**, Seoul (KR); **Youngsoo Ha**, Seoul (KR); **Kyungah Lee**, Seoul (KR); **Jaeil Bae**, Seoul (KR)

(73) Assignee: **LG ELECTRONICS INC.**, Seoul (KR)

(\*\*) Term: **15 Years**

(21) Appl. No.: **29/752,925**

(22) Filed: **Sep. 29, 2020**

(30) **Foreign Application Priority Data**

Apr. 17, 2020 (KR) ..... 30-2020-0017182

(51) **LOC (13) Cl.** ..... **07-05**

(52) **U.S. Cl.**  
USPC ..... **D32/66**

(58) **Field of Classification Search**  
USPC ..... D32/9, 60, 66, 73; D21/526; D3/279;  
D12/133; D34/12, 23, 27; D6/675  
(Continued)

(56) **References Cited**

**U.S. PATENT DOCUMENTS**

D91,120 S \* 11/1933 Nelson ..... D32/9  
D95,037 S \* 4/1935 Haney ..... D32/9  
(Continued)

**FOREIGN PATENT DOCUMENTS**

RU 00121944 \* 10/2020  
RU 00124531 \* 3/2021  
(Continued)

**OTHER PUBLICATIONS**

HomeRoots Freestanding Ironing Board, available in wayfair.com, customer review oldest date Sep. 28, 2020 [online], [site visited Oct.

20, 2021], Available from the internet URL: <https://www.wayfair.com/storage-organization/pdp/homeroots-freestanding-ironing-board-hmr9650.html> (Year: 2020).\*

(Continued)

*Primary Examiner* — Amy C Wierenga  
*Assistant Examiner* — Jennylou M Binas

(74) *Attorney, Agent, or Firm* — Birch, Stewart, Kolasch & Birch, LLP

(57) **CLAIM**

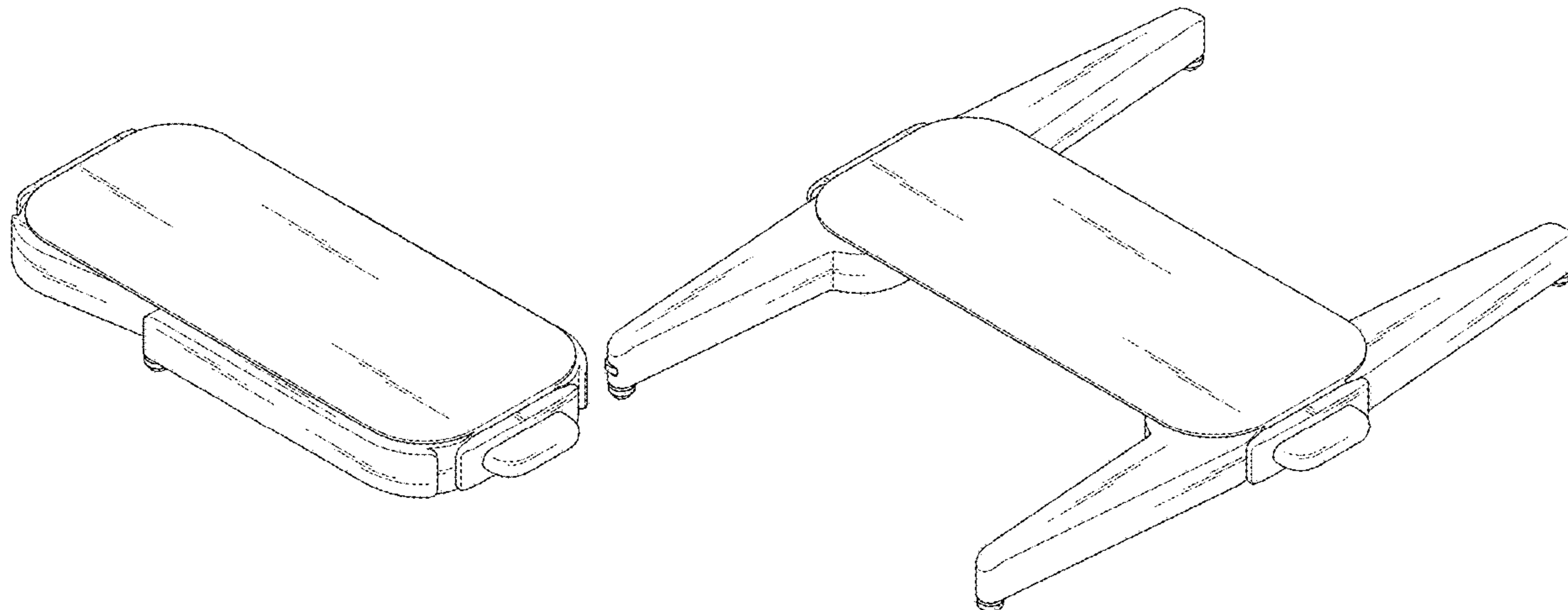
We claim the ornamental design for a stand for ironing board, as shown and described.

**DESCRIPTION**

FIG. 1 is a perspective view of a stand for ironing board showing the new design;  
FIG. 2 is a front elevation view thereof;  
FIG. 3 is a rear elevation view thereof;  
FIG. 4 is a left side elevation view thereof;  
FIG. 5 is a right side elevation view thereof;  
FIG. 6 is a top plan view thereof;  
FIG. 7 is a bottom plan view thereof;  
FIG. 8 is a perspective view of the stand for ironing board shown in a state of use;  
FIG. 9 is a perspective view of the stand for ironing board showing an alternate configuration with the leg portions extended;  
FIG. 10 is a front elevation view thereof;  
FIG. 11 is a rear elevation view thereof;  
FIG. 12 is a left side elevation view thereof;  
FIG. 13 is a right side elevation view thereof;  
FIG. 14 is a top plan view thereof;  
FIG. 15 is a bottom plan view thereof; and,  
FIG. 16 is a perspective view of the stand for ironing board shown in a state of use.

The broken lines shown in the drawings depict portions of the stand for ironing board that form no part of the claimed design. The broken line showing of the ironing board in

(Continued)



FIGS. 8 and 16 is for the purpose of illustrating environmental structure and forms no part of the claimed design.

**1 Claim, 16 Drawing Sheets**

(58) **Field of Classification Search**

CPC ..... A47B 39/06; A47B 46/00; A47B 61/02;  
 A47B 63/04; A47B 77/10; A47B 77/16;  
 D06F 81/00; D06F 81/003; D06F 81/006;  
 D06F 81/02; D06F 81/04; D06F 81/06;  
 D06F 81/08; D06F 81/12; D06F 83/00;  
 Y10S 38/00; Y10S 38/01; Y10S 38/02;  
 Y10S 38/03; Y10T 292/305

See application file for complete search history.

(56) **References Cited**

U.S. PATENT DOCUMENTS

D95,552 S \* 5/1935 Sperlich et al. .... D32/9  
 D97,433 S \* 11/1935 Draeseke ..... D32/9  
 D98,072 S \* 1/1936 Keil ..... D32/9  
 D102,539 S \* 12/1936 Altorfer ..... D32/9  
 2,067,719 A \* 1/1937 McCabe ..... D06F 65/06  
 38/59  
 2,172,614 A \* 9/1939 Jensen ..... A47B 35/00  
 312/241  
 D132,850 S \* 6/1942 Cissell ..... D32/73  
 D221,633 S \* 8/1971 Kotkowski ..... D34/23

D349,384 S \* 8/1994 Crinion ..... D34/12  
 D356,412 S \* 3/1995 Hensley, Jr. .... D34/23  
 D406,434 S \* 3/1999 Boettcher, Jr. .... D34/23  
 D408,109 S \* 4/1999 Agtuca ..... D34/23  
 D459,044 S \* 6/2002 Felsenthal ..... D32/66  
 D543,671 S \* 5/2007 Chu ..... D32/66  
 D543,672 S \* 5/2007 Chu ..... D32/66  
 D669,651 S \* 10/2012 Ono ..... D34/12  
 D922,717 S \* 6/2021 Bae ..... D32/73  
 D948,826 S \* 4/2022 Bae ..... D32/66  
 D948,828 S \* 4/2022 Park ..... D32/66  
 D948,829 S \* 4/2022 Park ..... D32/66  
 D950,180 S \* 4/2022 Bae ..... D32/66  
 D950,181 S \* 4/2022 Bae ..... D32/66

FOREIGN PATENT DOCUMENTS

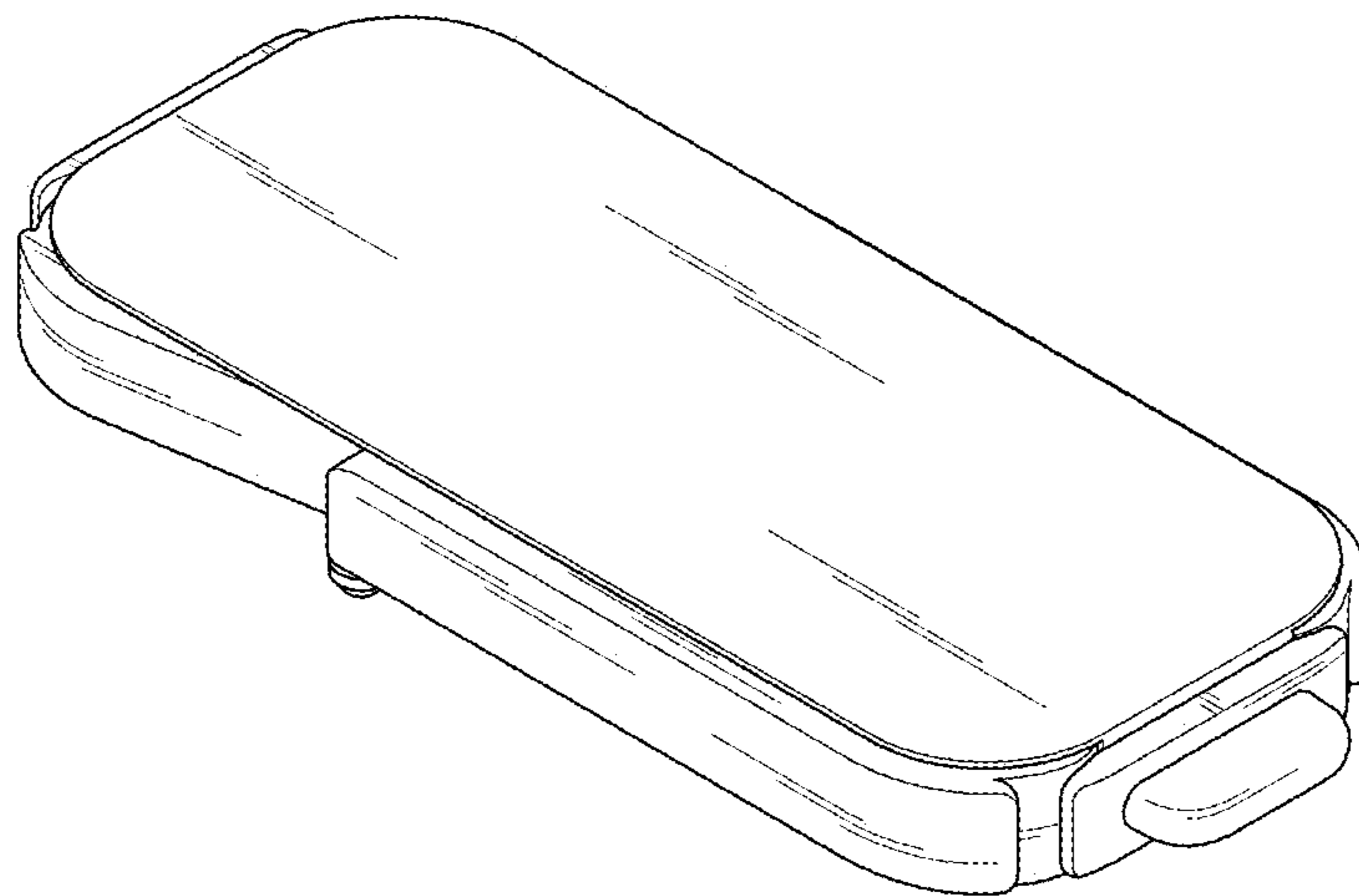
RU 00125161 \* 5/2021  
 WO D206722-001 \* 8/2021  
 WO D207428-001 \* 8/2021  
 WO D207572-001 \* 8/2021

OTHER PUBLICATIONS

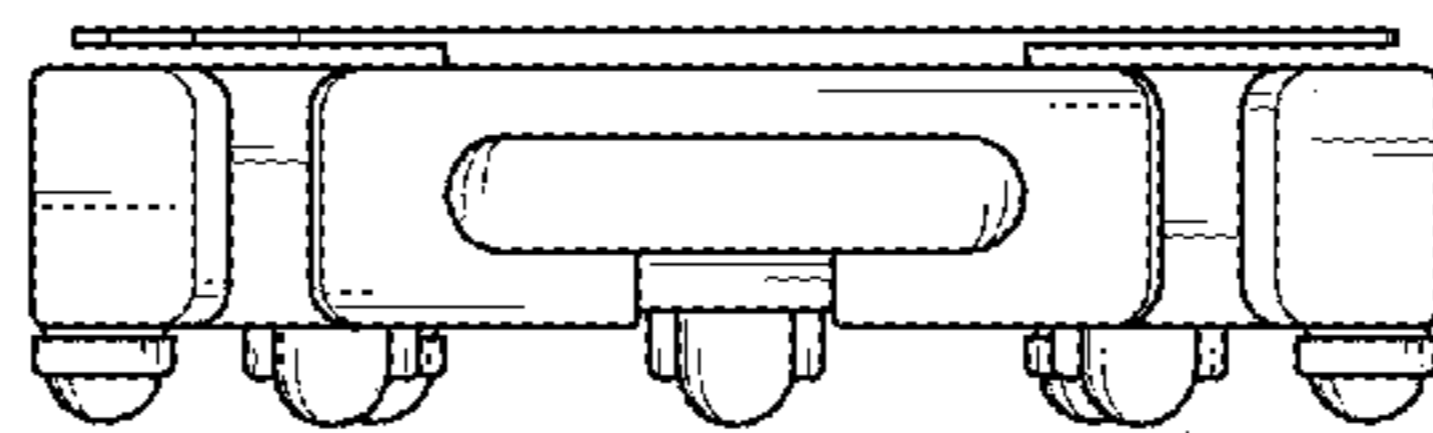
Pearington Rolling Portable Ironing Board, Heavy Duty Folding Station Cart, Available in Amazon.com, date 1st available Apr. 26, 2017[online],[site visited Oct. 20, 2021], Available from the internet URL: [https://www.amazon.com/dp/B071H4R4L2/ref=cm\\_sw\\_r\\_apan\\_glt\\_fabc\\_EZY93E5GFRB8258X6XH3?\\_encoding=UTF8&psc=1](https://www.amazon.com/dp/B071H4R4L2/ref=cm_sw_r_apan_glt_fabc_EZY93E5GFRB8258X6XH3?_encoding=UTF8&psc=1) (Year: 2017).\*

\* cited by examiner

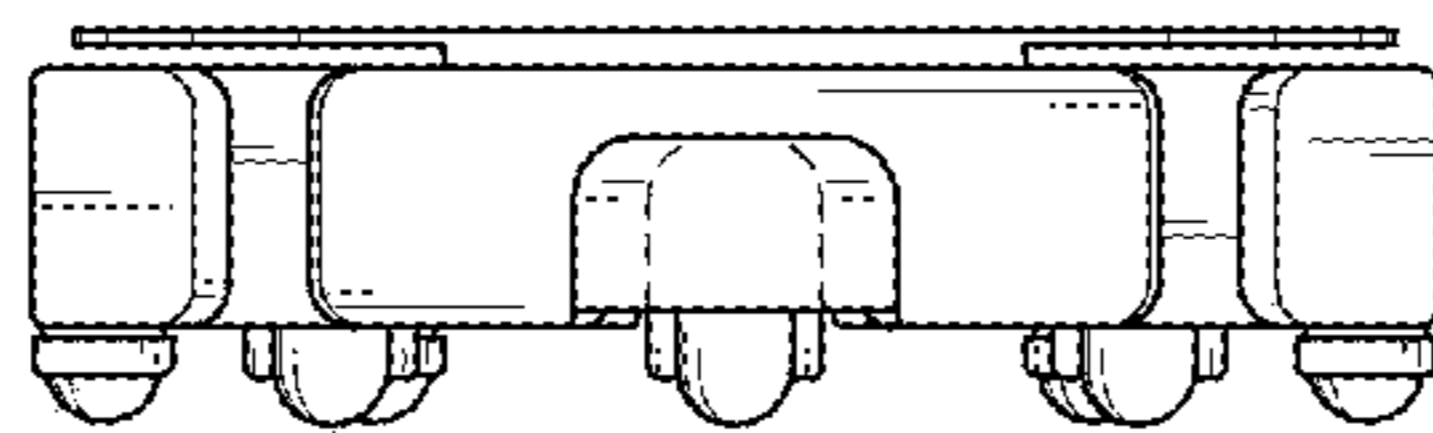
*FIG. 1*



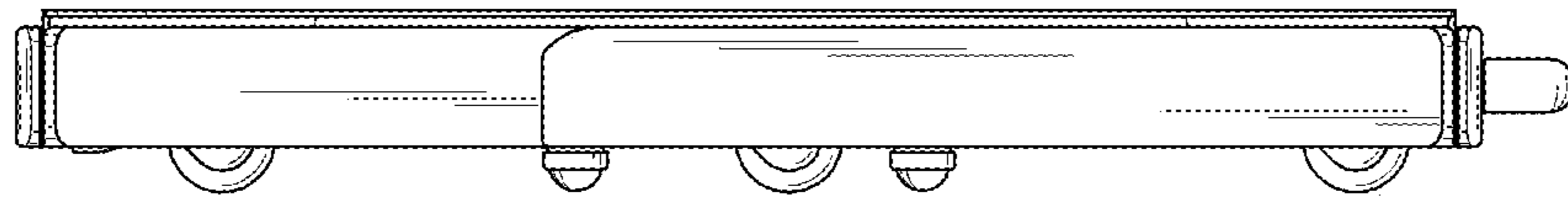
*FIG. 2*



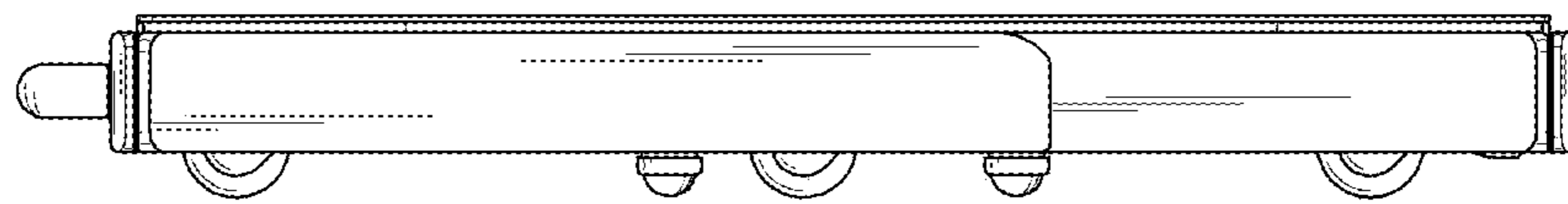
*FIG. 3*



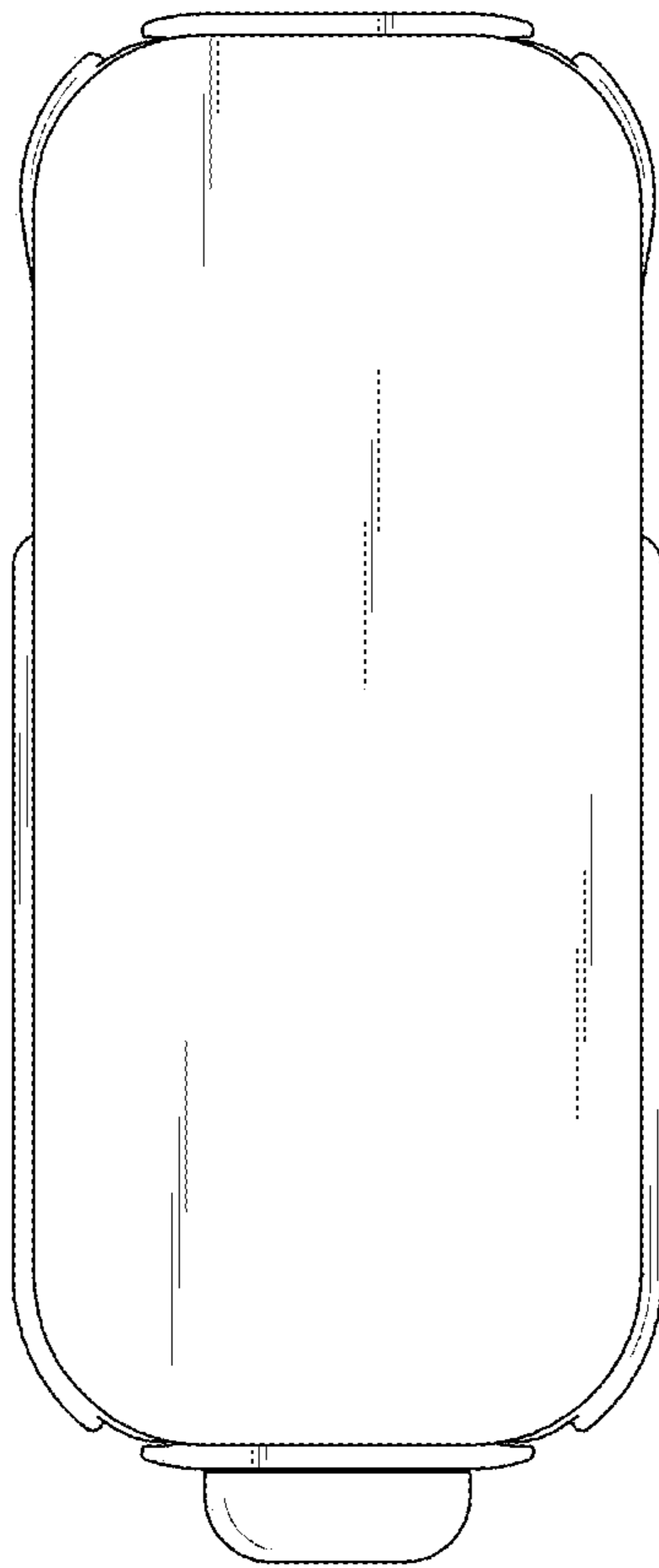
*FIG. 4*



*FIG. 5*

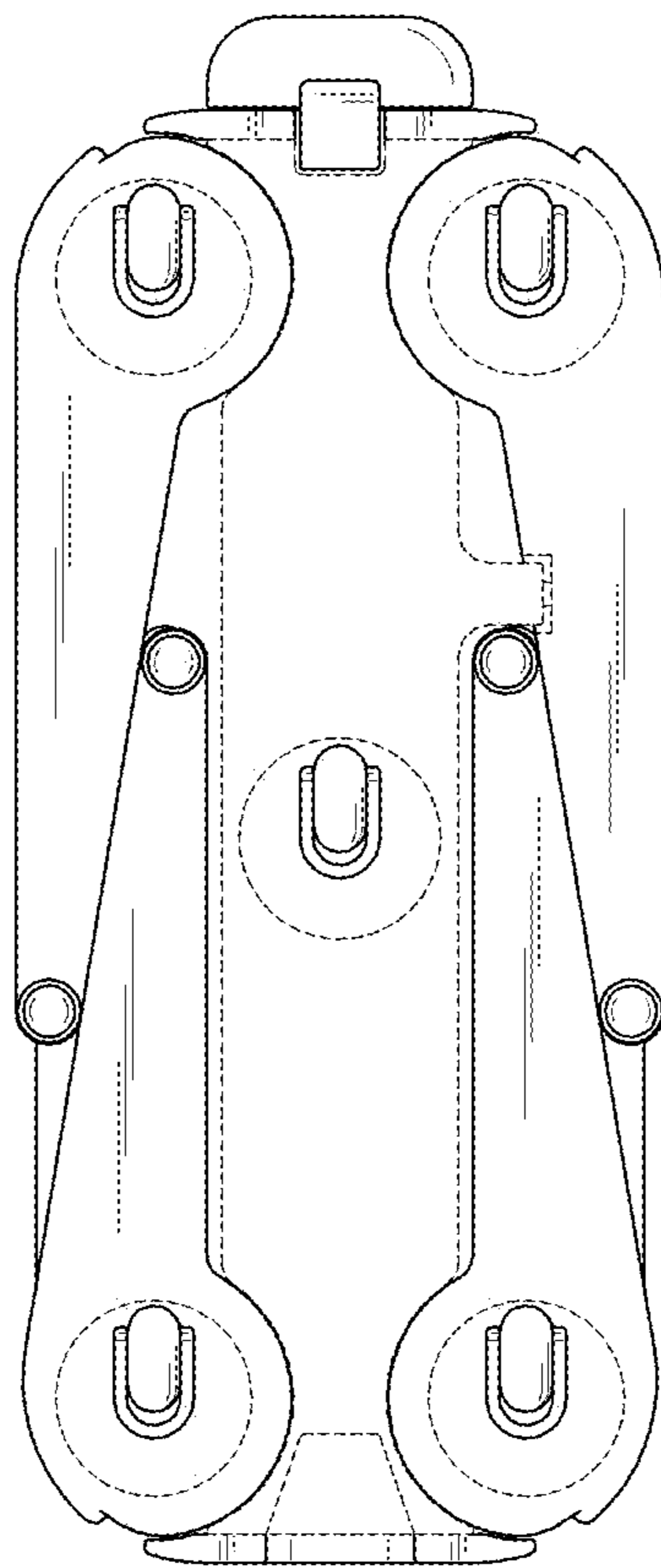


*FIG. 6*

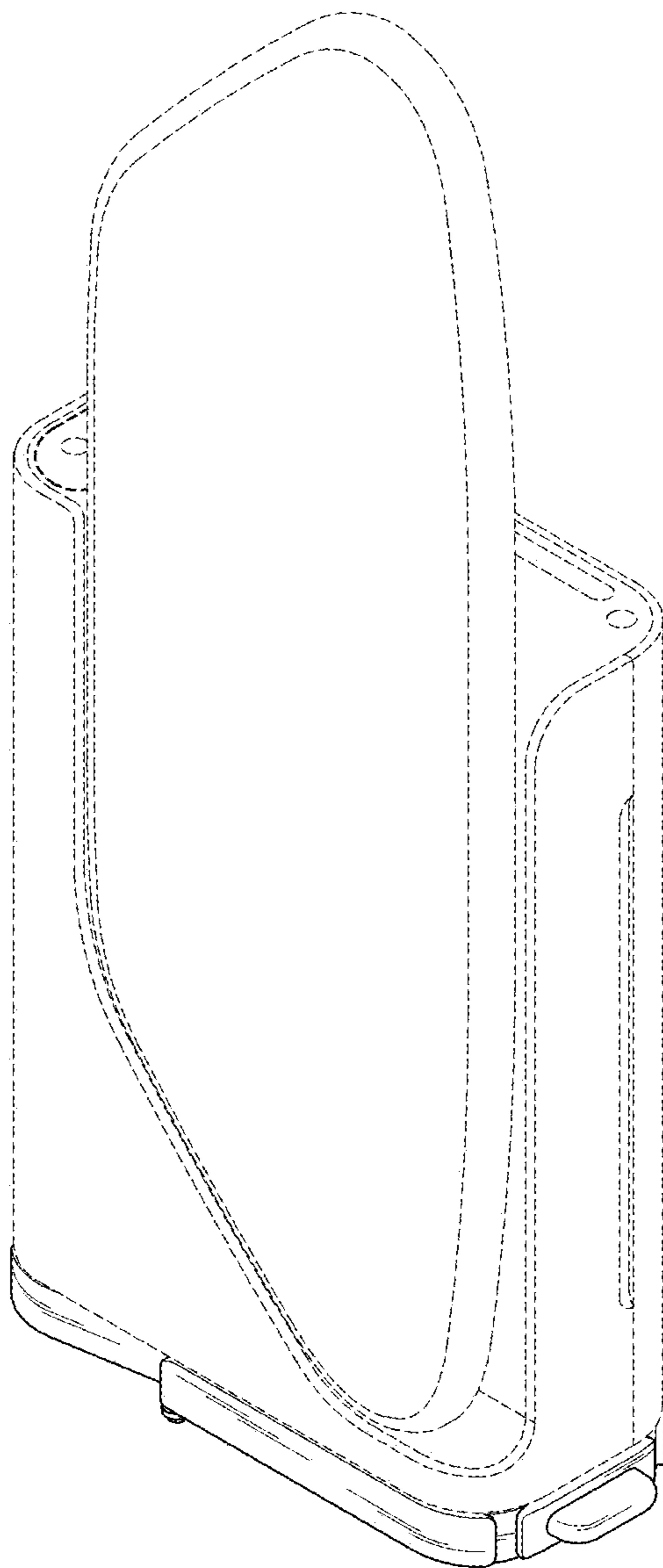




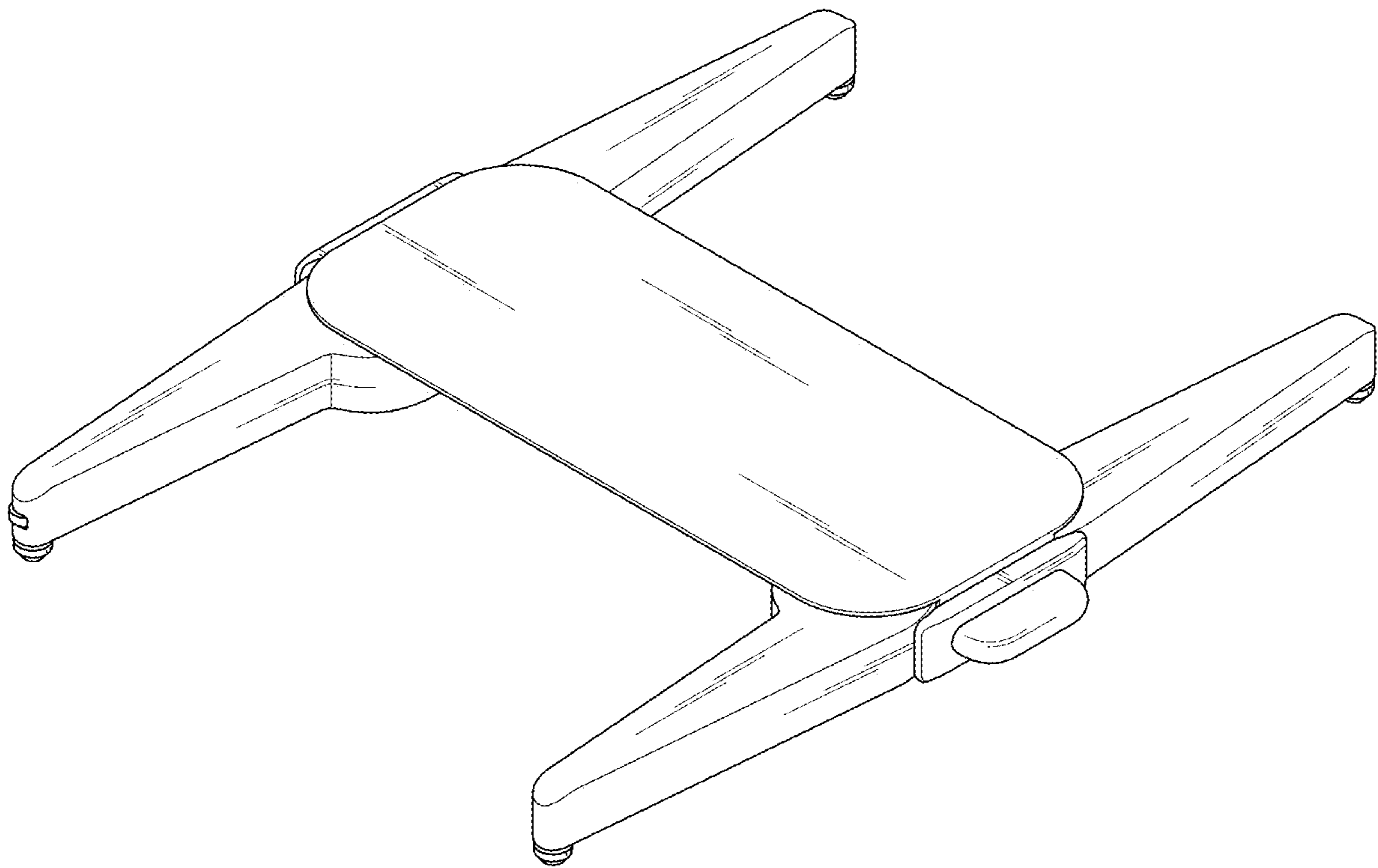
*FIG. 7*



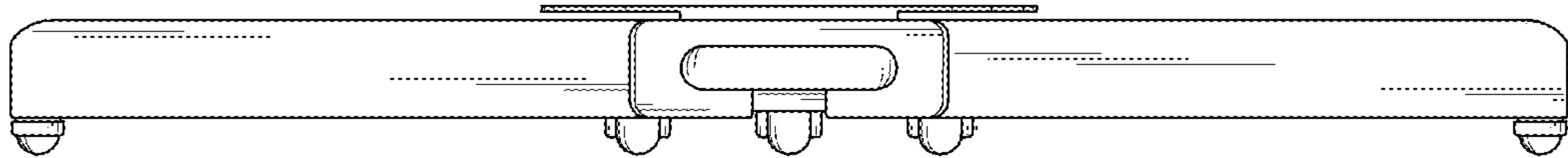
*FIG. 8*



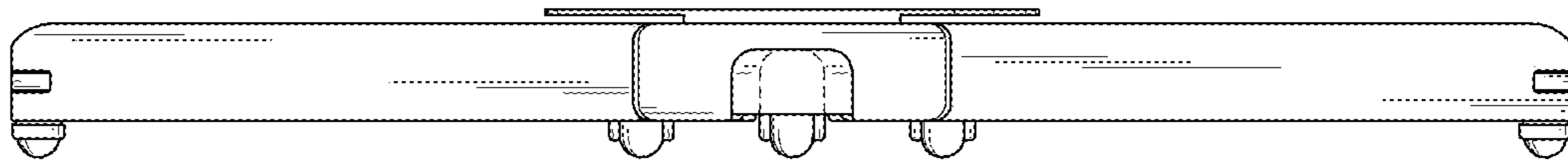
*FIG. 9*



*FIG. 10*



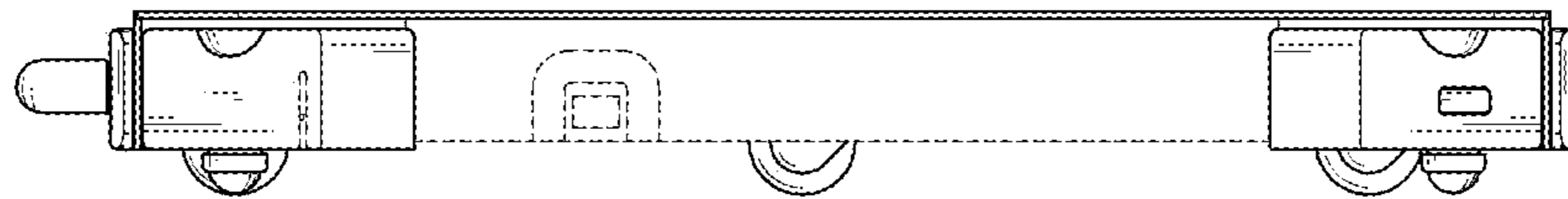
*FIG. 11*



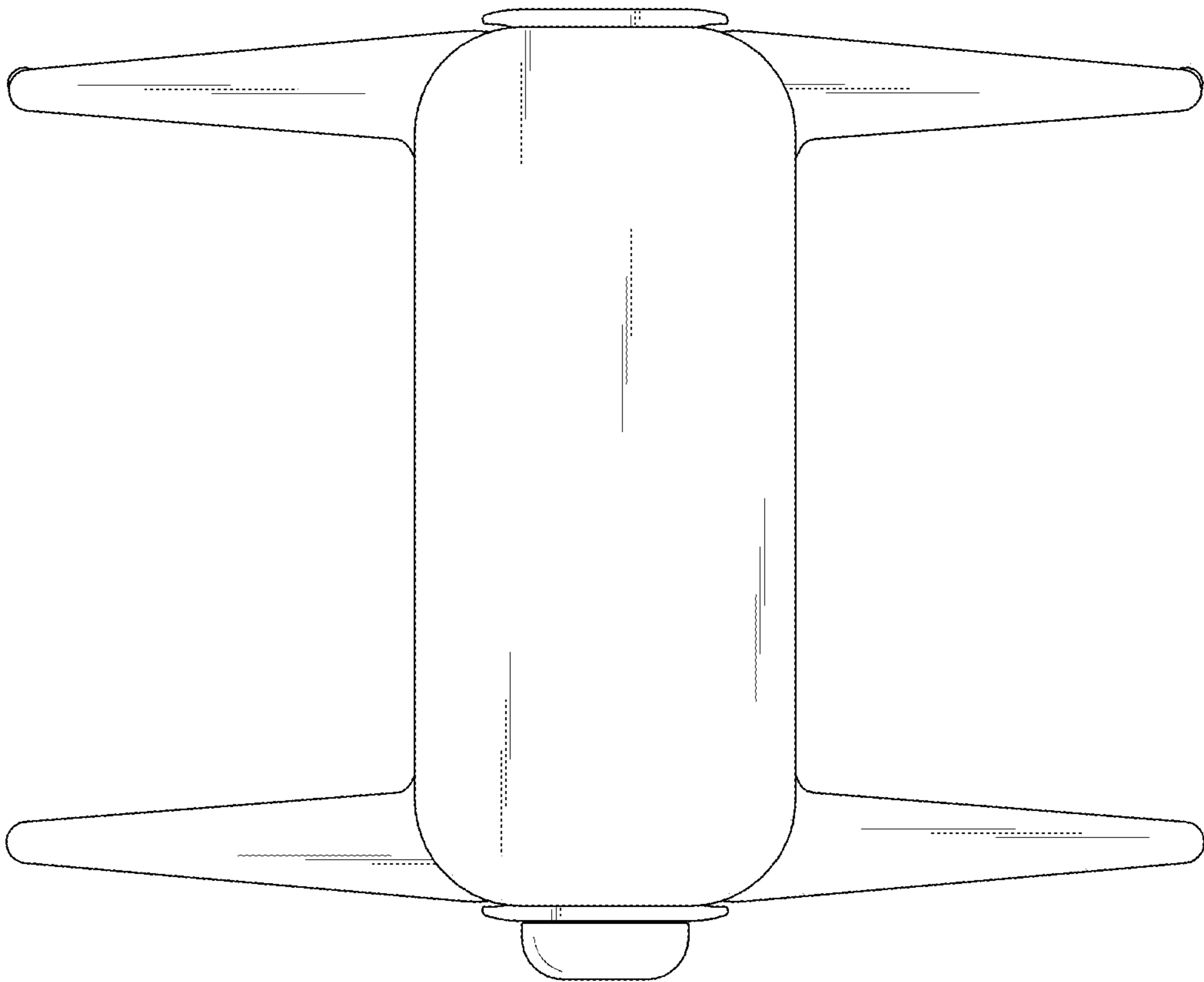
*FIG. 12*



*FIG. 13*

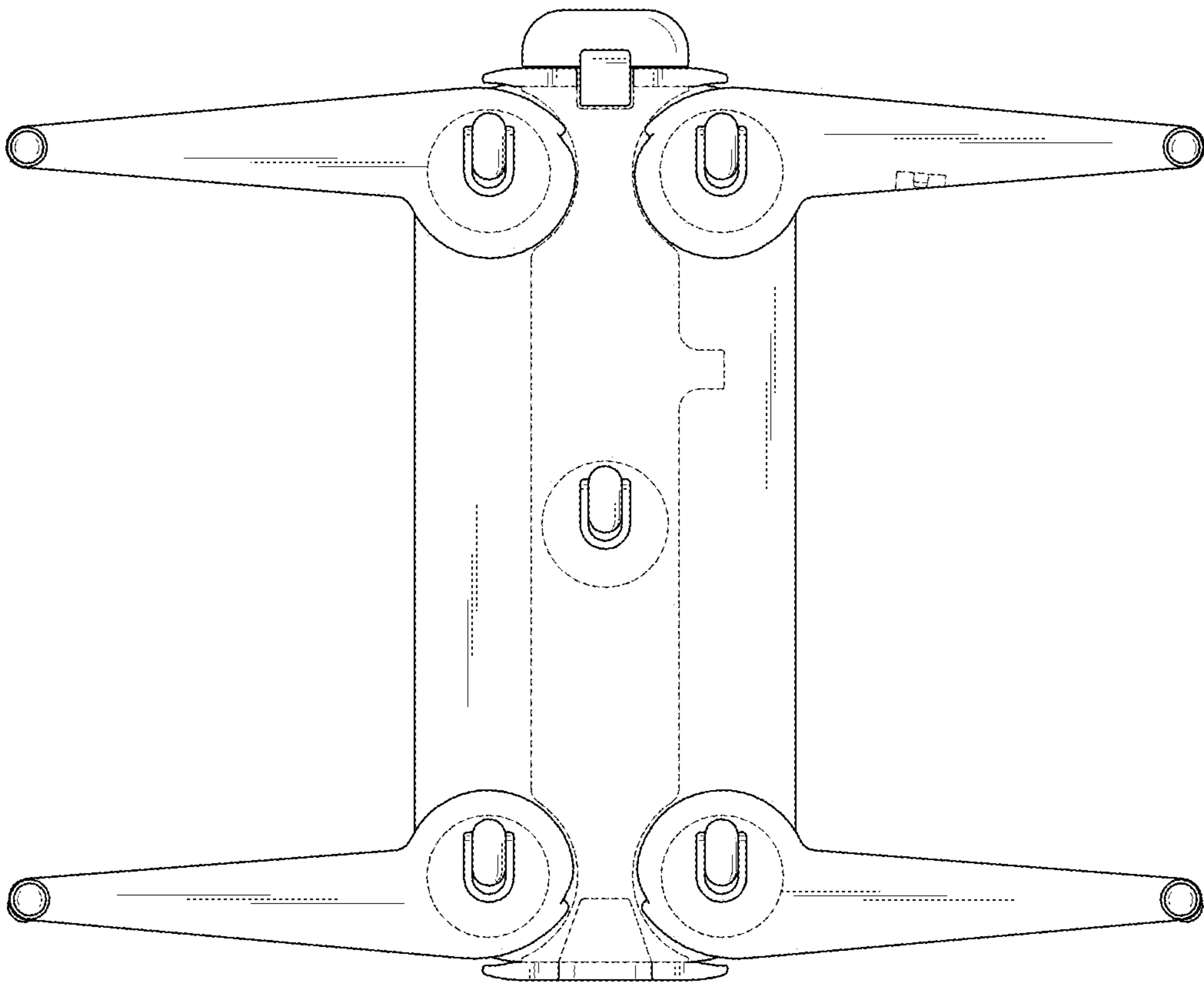


*FIG. 14*





*FIG. 15*



*FIG. 16*

