



US00D961178S

(12) **United States Design Patent** (10) **Patent No.:** **US D961,178 S**  
**Wang** (45) **Date of Patent:** **\*\* Aug. 16, 2022**

(54) **LAUNDRY BASKET**

FOREIGN PATENT DOCUMENTS

(71) Applicant: **Wei-Cheng Wang**, Taipei (TW)

GB 6076936 \* 11/2019

GB 6100188 \* 9/2020

(72) Inventor: **Wei-Cheng Wang**, Taipei (TW)

JP D1673849 \* 11/2020

WO D209448-004 \* 8/2020

(\*\*) Term: **15 Years**

OTHER PUBLICATIONS

(21) Appl. No.: **29/754,697**

The Best Laundry Baskets and Hampers on Amazon, According to Hyperenthusiastic Reviewers, available in nymag.com, announced Nov. 22, 2021 [online], [site visited Feb. 9, 2022], Internet URL: <https://nymag.com/strategist/article/best-laundry-baskets.html> (Year: 2021).\*

(22) Filed: **Oct. 13, 2020**

Birdrock Home Folding Cloth Laundry Hamper with Handles, available in Amazon.com, date first available Dec. 20, 2020 [online], [site visited Feb. 8, 2022], Available from the internet URL: [https://www.amazon.com/dp/B011TW31CY/ref=sspa\\_dk\\_detail\\_2?](https://www.amazon.com/dp/B011TW31CY/ref=sspa_dk_detail_2?) (Year: 2020).\*

(51) **LOC (13) Cl.** ..... **09-04**

(52) **U.S. Cl.**

USPC ..... **D32/37**

(58) **Field of Classification Search**

USPC ..... D32/35, 36, 37; D3/201, 305, 307, 309; D9/423, 432, 721; D34/11; D99/28-29

CPC . D06F 95/002; B62B 1/006; B62B 2501/065; B62B 3/16

See application file for complete search history.

(Continued)

*Primary Examiner* — Amy C Wierenga

*Assistant Examiner* — Jennylou M Binas

(74) *Attorney, Agent, or Firm* — Leong C. Lei

(56) **References Cited**

(57) **CLAIM**

U.S. PATENT DOCUMENTS

The ornamental design for a laundry basket, as shown and described.

D225,969 S *	1/1973	Rosenberg	.....	D32/37
D275,618 S *	9/1984	Agard	.....	D34/7
D304,252 S *	10/1989	Ferguson	.....	D32/37
D342,365 S *	12/1993	Conaway	.....	D32/37
D394,532 S *	5/1998	Burgin	.....	D32/37
D552,351 S *	10/2007	Bauers	.....	D3/276
D703,895 S *	4/2014	Wang	.....	D32/37
D732,778 S *	6/2015	Taulman	.....	D32/37
D827,960 S *	9/2018	Barre	.....	D32/37
D872,401 S *	1/2020	Wang	.....	D32/37
D901,114 S *	11/2020	Wang	.....	D32/37
D915,700 S *	4/2021	Chang Chien	.....	D32/37
D925,149 S *	7/2021	Huang	.....	D32/37
11,299,186 B2 *	4/2022	Shimizu	.....	B62B 3/003

**DESCRIPTION**

FIG. 1 is a perspective view of a laundry basket showing my new design;

FIG. 2 is a front elevational view thereof;

FIG. 3 is a rear elevational view thereof;

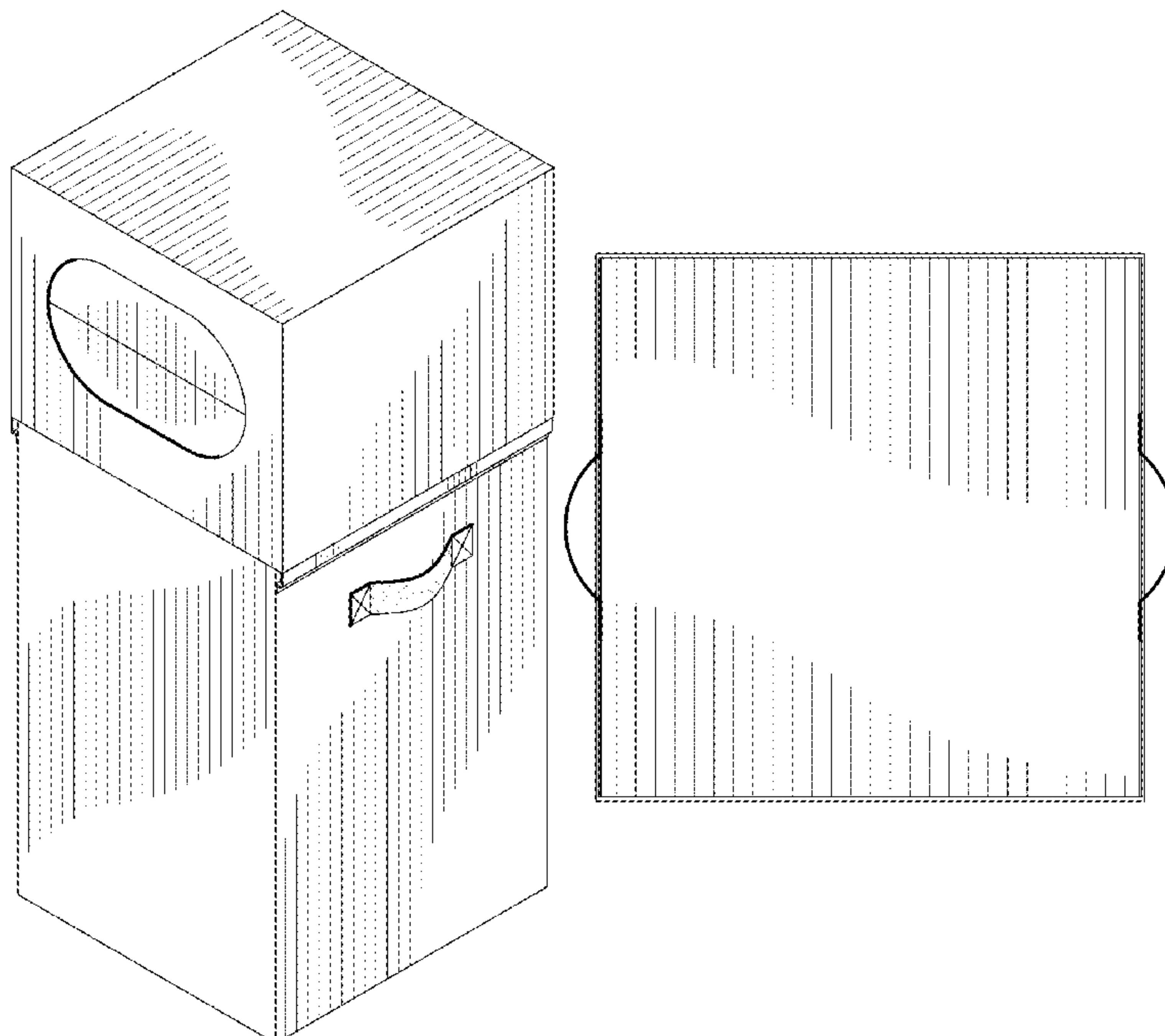
FIG. 4 is a left side elevational view thereof;

FIG. 5 is a right side elevational view thereof;

FIG. 6 is a top plan view thereof; and,

FIG. 7 is a bottom plan view thereof.

**1 Claim, 6 Drawing Sheets**



(56)

**References Cited**

OTHER PUBLICATIONS

HOSROOME Laundry Hamper with Lids Laundry Baskets with Handles, available in Amazon.com, date first available Jan. 20, 2019 [online], [site visited Feb. 8, 2022], Available from the internet URL: [https://www.amazon.com/dp/B07MYTNY79/ref=sspa\\_dk\\_detail\\_8?](https://www.amazon.com/dp/B07MYTNY79/ref=sspa_dk_detail_8?) (Year: 2019).\*

DOFASAYI Laundry Hamper with lid, available in Amazon.com, date first available Jan. 20, 2019 [online], [site visited Feb. 8, 2022], Available from the internet URL: [https://www.amazon.com/dp/B09NVFL2BR/ref=sspa\\_dk\\_detail\\_3?](https://www.amazon.com/dp/B09NVFL2BR/ref=sspa_dk_detail_3?) (Year: 2022).\*

\* cited by examiner

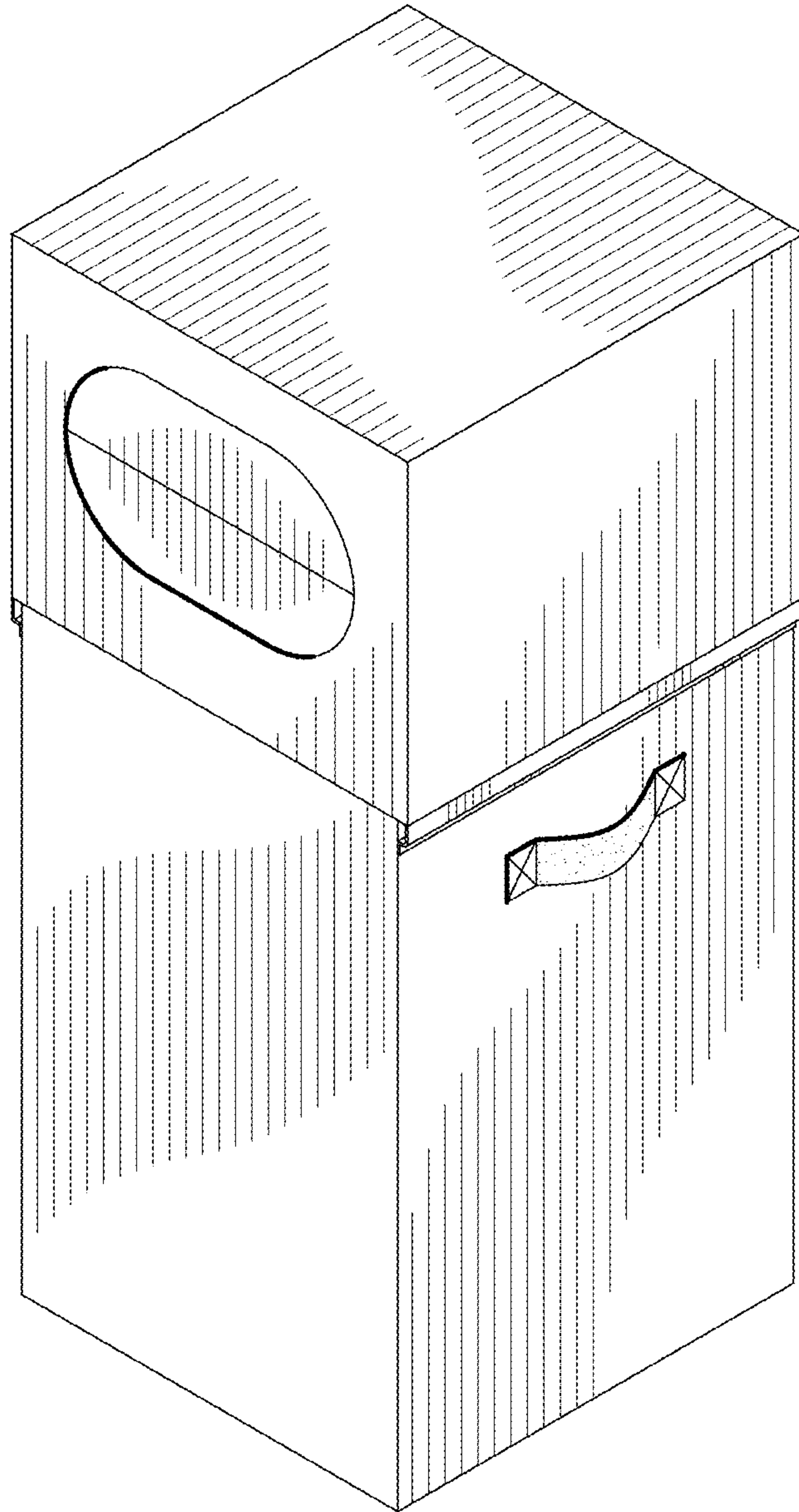


FIG. 1

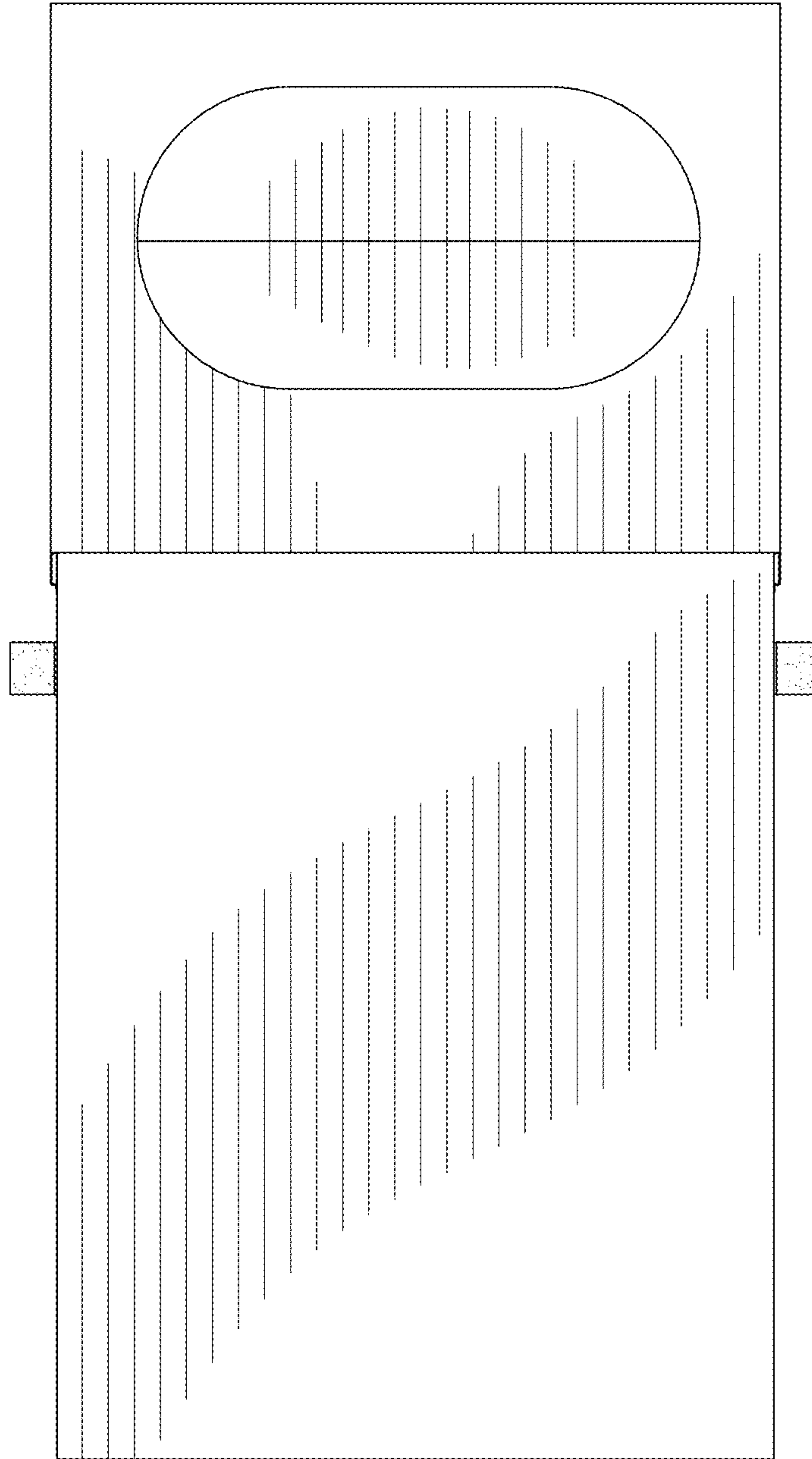


FIG. 2

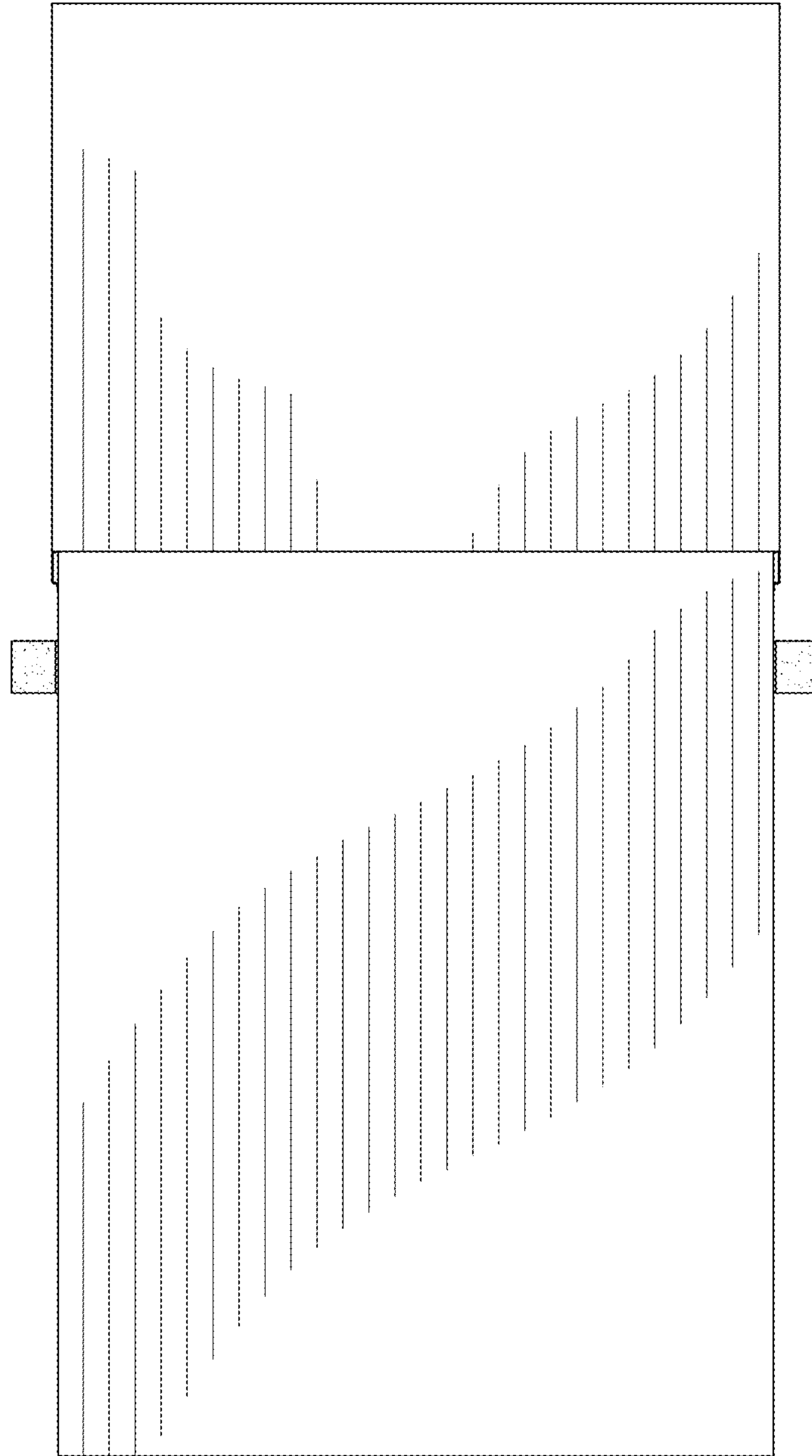


FIG. 3



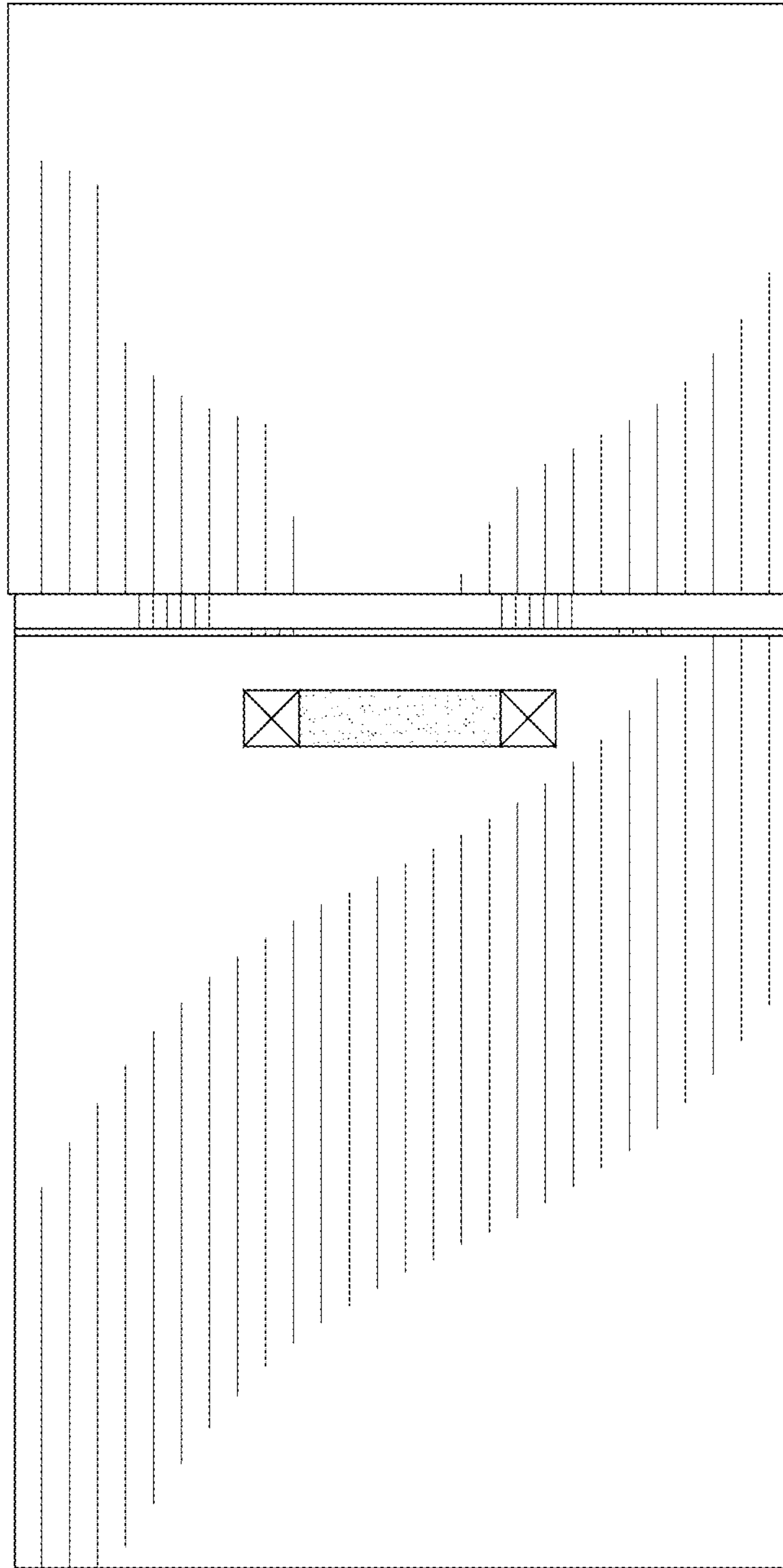


FIG. 4

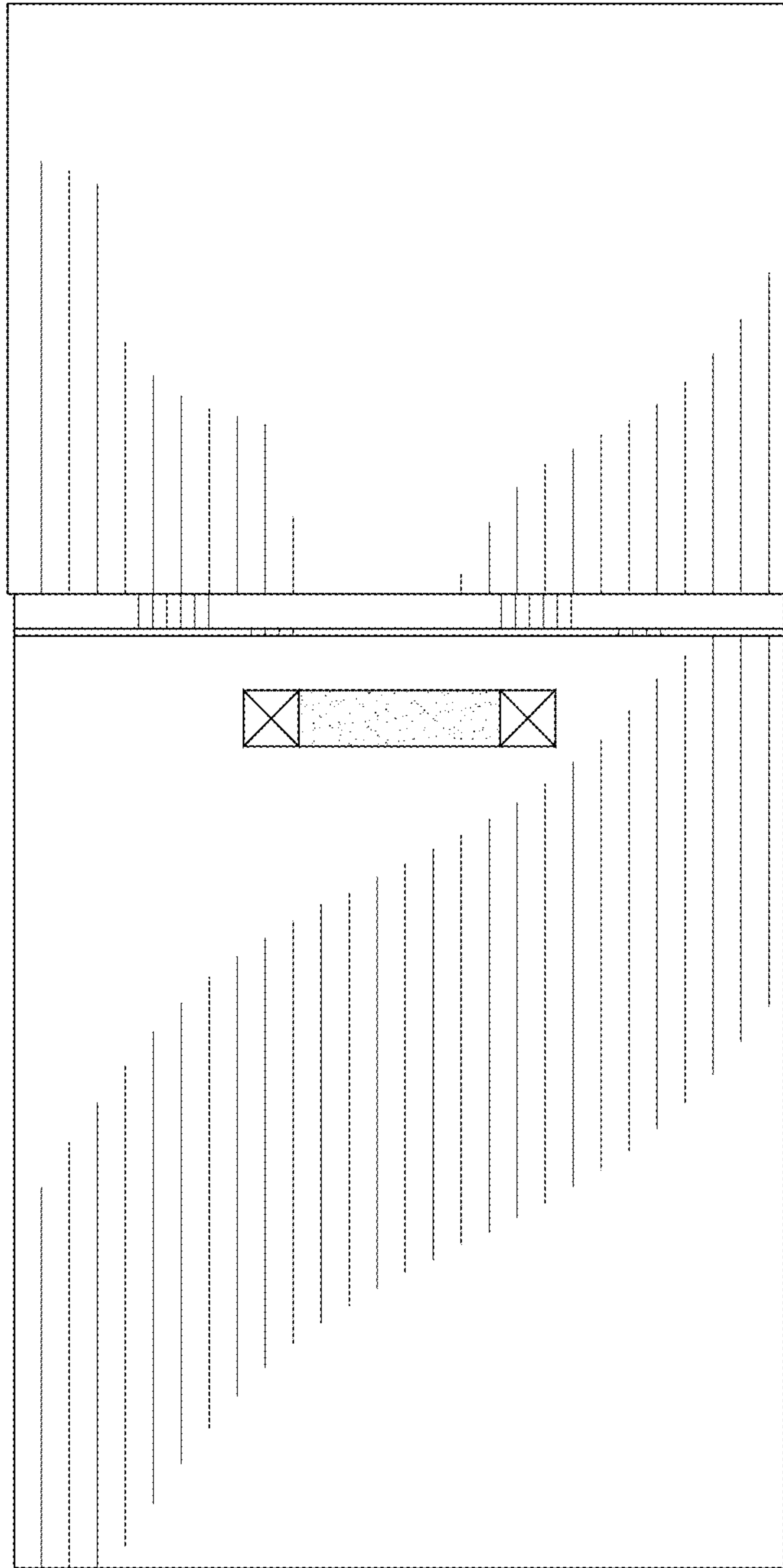


FIG. 5

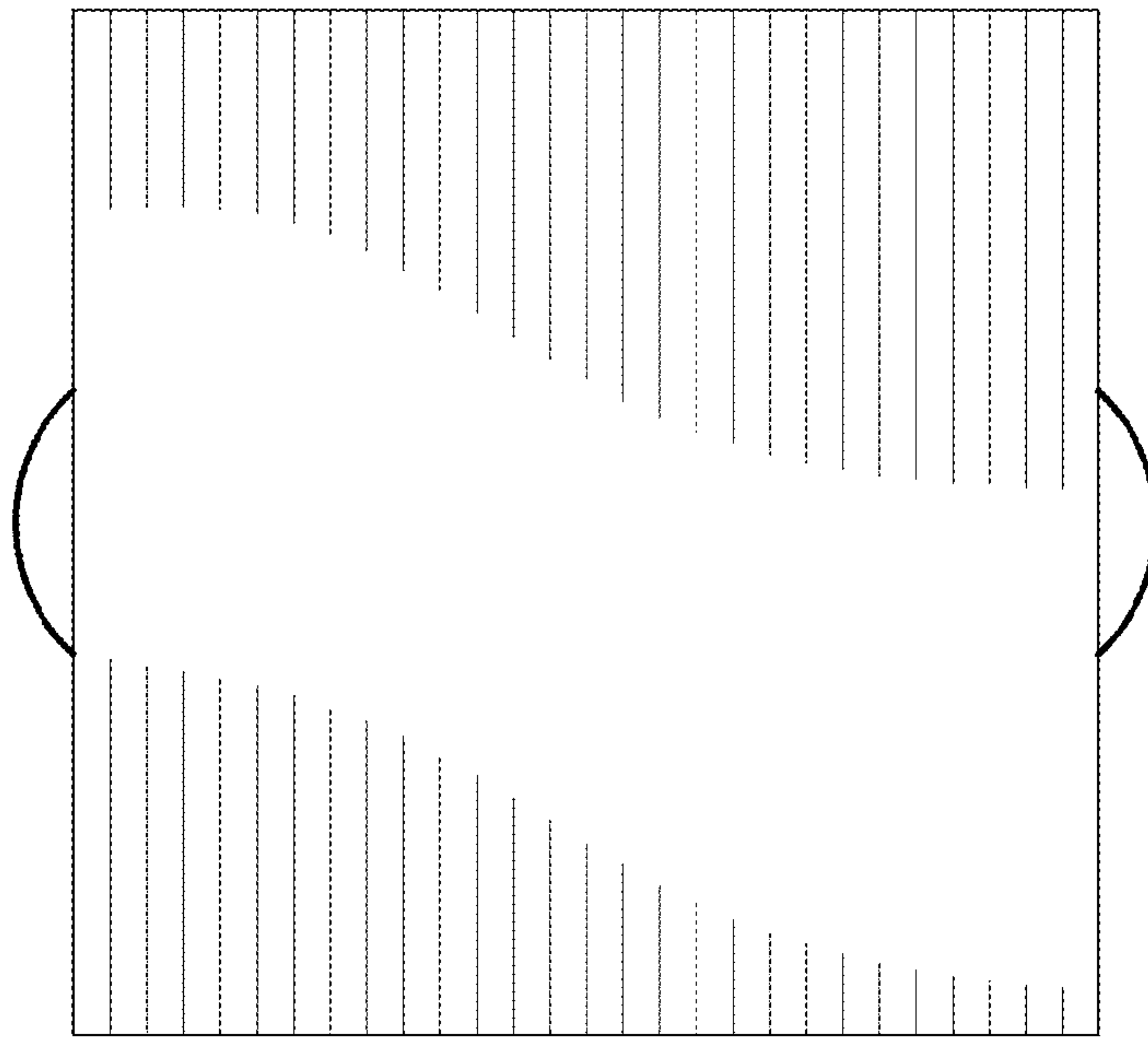


FIG. 6

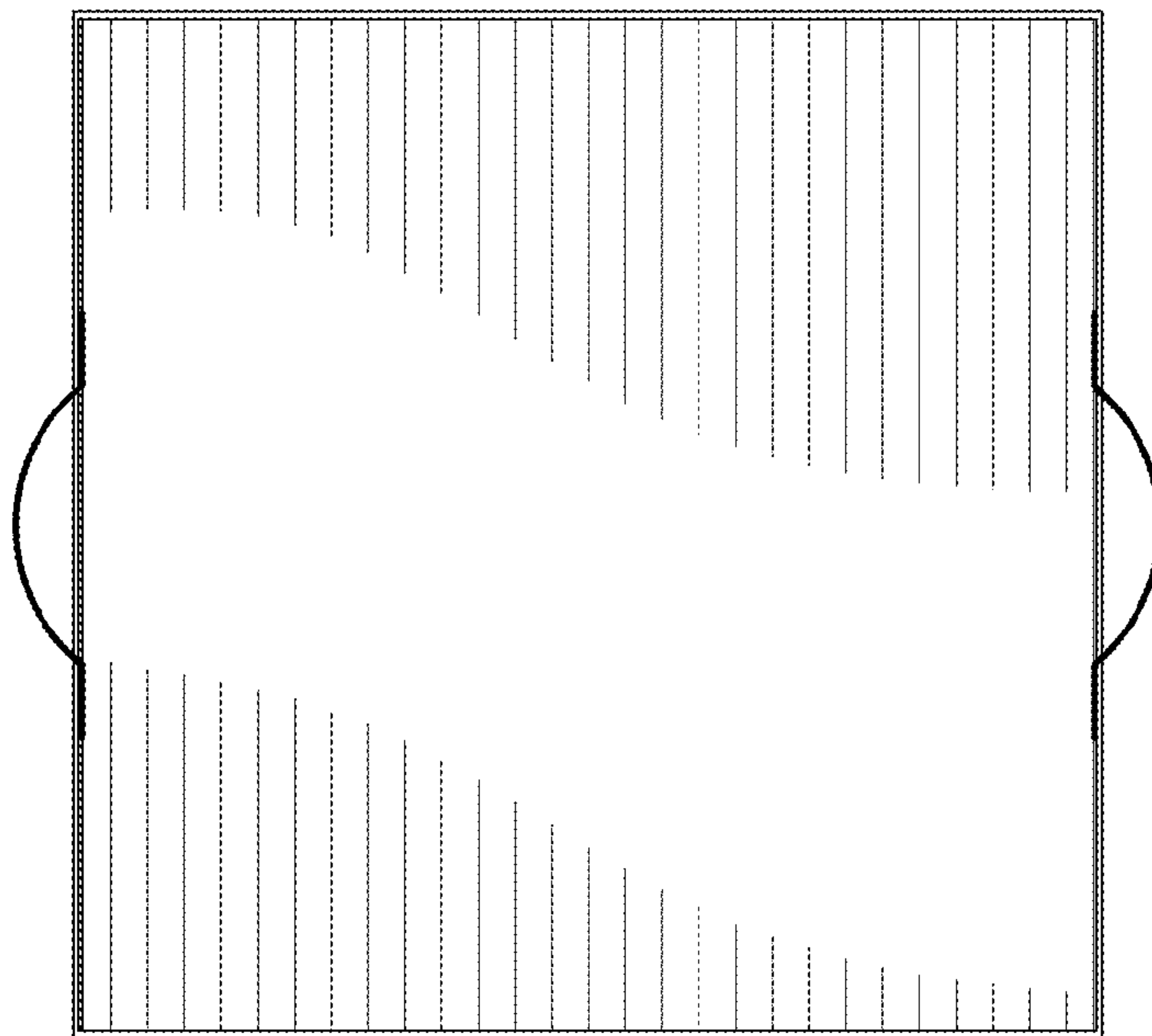


FIG. 7