

US00D961177S

(12) **United States Design Patent** (10) **Patent No.:** **US D961,177 S**  
**Jang** (45) **Date of Patent:** **\*\* Aug. 16, 2022**

- (54) **EVACUATION STATION**
- (71) Applicant: **iRobot Corporation**, Bedford, MA (US)
- (72) Inventor: **Stuart R. Jang**, Sudbury, MA (US)
- (73) Assignee: **iRobot Corporation**, Bedford, MA (US)
- (\*\*) Term: **15 Years**
- (21) Appl. No.: **29/793,017**
- (22) Filed: **Jul. 2, 2021**

D628,961 S \* 12/2010 Kim ..... D32/31  
 D639,237 S \* 6/2011 Lee ..... D32/31  
 D639,735 S 6/2011 Lee et al.  
 8,092,562 B2 1/2012 Sauer et al.  
 D675,802 S 2/2013 Yang et al.  
 (Continued)

**FOREIGN PATENT DOCUMENTS**

JP 2007-319447 12/2007  
 JP 1515075 1/2015

**OTHER PUBLICATIONS**

[No Author Listed] "Bosch Part#462544—Genuine Type G MEGA filit SuperTex Vacuum Bag (BBZ51AFG2U)—Fits Bosch Compact Series and Formula Series Vacuums—5/Package," Dec. 29, 2011, retrieved on May 10, 2018, retrieved from URL <<https://www.amazon.com/Bosch-Part-462544-MEGAfilt-BBZ51AFG2U/dp/B000UM2ENE/>>, 8 pages.

(Continued)

*Primary Examiner* — Michael C Stout  
*Assistant Examiner* — Fritzgerald L Butac  
 (74) *Attorney, Agent, or Firm* — Fish & Richardson P.C.

**Related U.S. Application Data**

- (63) Continuation of application No. 29/646,572, filed on May 4, 2018, now Pat. No. Des. 924,522.
- (51) **LOC (13) Cl.** ..... **15-05**
- (52) **U.S. Cl.**  
USPC ..... **D32/31; D13/108**
- (58) **Field of Classification Search**  
USPC ..... D13/107–110, 118, 119, 184, 199;  
D14/251, 253, 432, 434; D32/25, 31;  
D34/7  
CPC ..... B65F 7/00; B65F 1/06; B65F 1/08; B65F  
1/163  
See application file for complete search history.

(57) **CLAIM**

The ornamental design for an evacuation station, substantially as shown and described.

**DESCRIPTION**

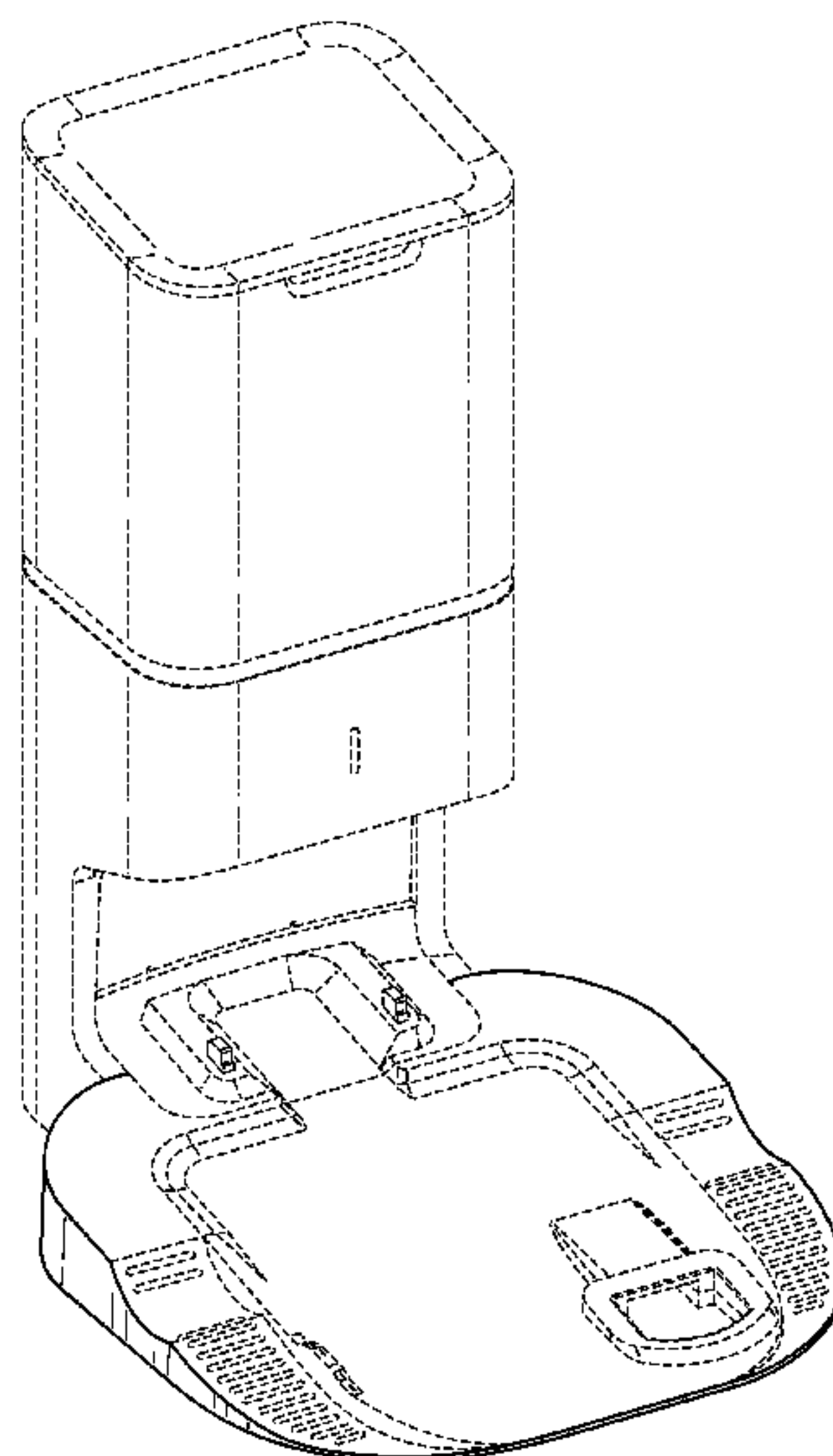
FIG. 1 is a perspective view of the evacuation station.  
 FIG. 2 is a front view thereof.  
 FIG. 3 is a back view thereof.  
 FIG. 4 is right side view thereof.  
 FIG. 5 is left side view thereof.  
 FIG. 6 is top view thereof; and,  
 FIG. 7 is bottom view thereof.  
 The broken lines show portions of an evacuation station that form no part of the claimed design.

(56) **References Cited**

**U.S. PATENT DOCUMENTS**

6,076,226 A 6/2000 Reed  
 6,389,329 B1 5/2002 Colens  
 6,748,297 B2 6/2004 Song et al.  
 7,031,805 B2 4/2006 Lee et al.  
 7,055,210 B2 6/2006 Keppler et al.  
 D524,497 S 7/2006 Bruneau  
 D552,311 S \* 10/2007 Schroeter ..... D32/31  
 D566,352 S \* 4/2008 Ågren ..... D32/31  
 D592,593 S \* 5/2009 Crawley ..... D32/31  
 D620,882 S \* 8/2010 Houghton ..... D32/31

**1 Claim, 7 Drawing Sheets**



(56)

References Cited

U.S. PATENT DOCUMENTS

D675,803 S 2/2013 Yang et al.  
 8,528,157 B2 9/2013 Schnittman et al.  
 D725,861 S 3/2015 Yang et al.  
 9,027,199 B2 5/2015 Jung et al.  
 9,462,920 B1 10/2016 Morin et al.  
 D773,315 S 12/2016 Wahl et al.  
 D775,990 S 1/2017 White et al.  
 D775,991 S 1/2017 White et al.  
 D780,473 S 3/2017 Brownley et al.  
 D781,064 S 3/2017 Brownley et al.  
 D781,065 S 3/2017 Brownley et al.  
 D782,329 S 3/2017 Sobel  
 D789,142 S 6/2017 Broen et al.  
 D790,145 S 6/2017 Chen  
 D793,642 S 8/2017 Yang et al.  
 D796,758 S \* 9/2017 van der Meijden ..... D32/31  
 D801,074 S 10/2017 Brownley et al.  
 D809,819 S 2/2018 Johnson  
 D809,821 S 2/2018 Moore et al.  
 D818,950 S \* 5/2018 Ebrahimi Afrouzi ..... D32/31  
 D820,333 S 6/2018 Merrifield  
 D835,162 S 12/2018 Reches et al.  
 D835,374 S 12/2018 Yang et al.  
 D855,179 S 7/2019 Butler  
 D855,919 S 8/2019 Yang et al.  
 D856,023 S 8/2019 Harris et al.  
 D856,058 S 8/2019 Szabo  
 D860,672 S 9/2019 Cross  
 D860,676 S 9/2019 Khannphilapanyo  
 D869,108 S 12/2019 Williams et al.  
 D871,012 S 12/2019 Chen

D871,707 S 12/2019 Chen  
 D871,818 S 1/2020 Squires et al.  
 D872,958 S 1/2020 Chen  
 D903,963 S \* 12/2020 Jang ..... D32/31  
 D908,993 S \* 1/2021 Li ..... D32/31  
 D911,643 S \* 2/2021 Miller ..... D32/31  
 D912,917 S \* 3/2021 Beaton ..... D32/31  
 D922,012 S \* 6/2021 Supron ..... D32/31  
 D923,891 S \* 6/2021 Knapp ..... D32/31  
 D924,522 S 7/2021 Jang  
 D928,436 S \* 8/2021 Knapp ..... D32/31  
 D938,908 S \* 12/2021 Park ..... D13/107  
 D939,436 S \* 12/2021 Chei ..... D32/31  
 D941,758 S \* 1/2022 Abe ..... D13/108  
 D948,822 S \* 6/2022 Kim ..... D32/31  
 D949,784 S \* 4/2022 Cheung ..... D13/108  
 2005/0150519 A1 7/2005 Keppler et al.  
 2007/0226949 A1 10/2007 Hahm et al.  
 2008/0201895 A1 8/2008 Kim et al.  
 2008/0235897 A1 10/2008 Kim et al.  
 2009/0049640 A1 2/2009 Lee et al.  
 2012/0011677 A1 1/2012 Jung et al.  
 2013/0298350 A1 11/2013 Schnittman et al.  
 2016/0166126 A1 6/2016 Morin et al.  
 2016/0183752 A1 6/2016 Morin et al.  
 2020/0069139 A1 3/2020 Johnson

OTHER PUBLICATIONS

[No Author Listed] "Staubaugerbeutel Von Kobold," retrieved on May 10, 2018, retrieved from URL <<https://kobold.vorwerk.de/staubsaugerbeutel/>>, 49 pages (English Translation).

\* cited by examiner

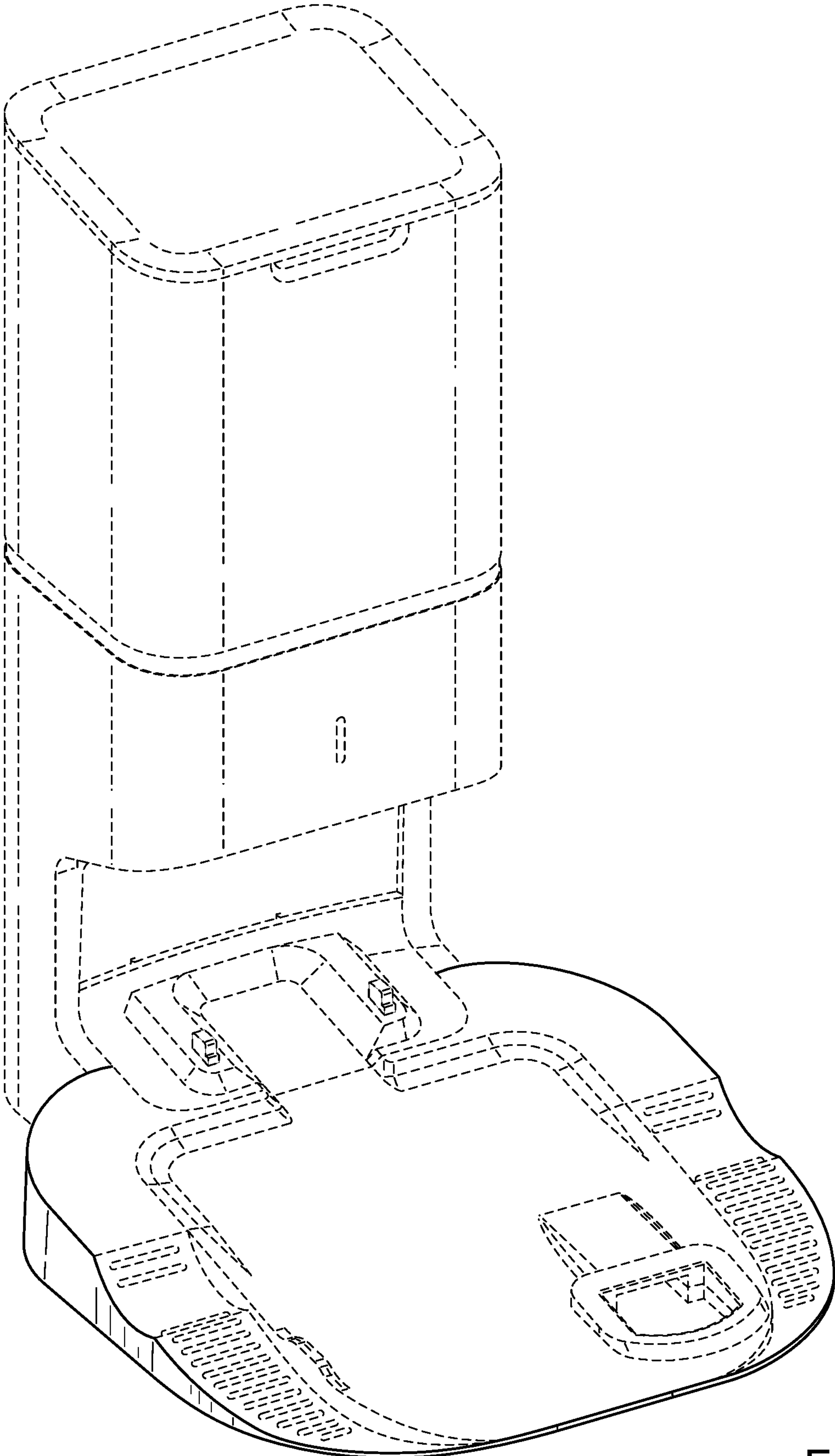


FIG. 1

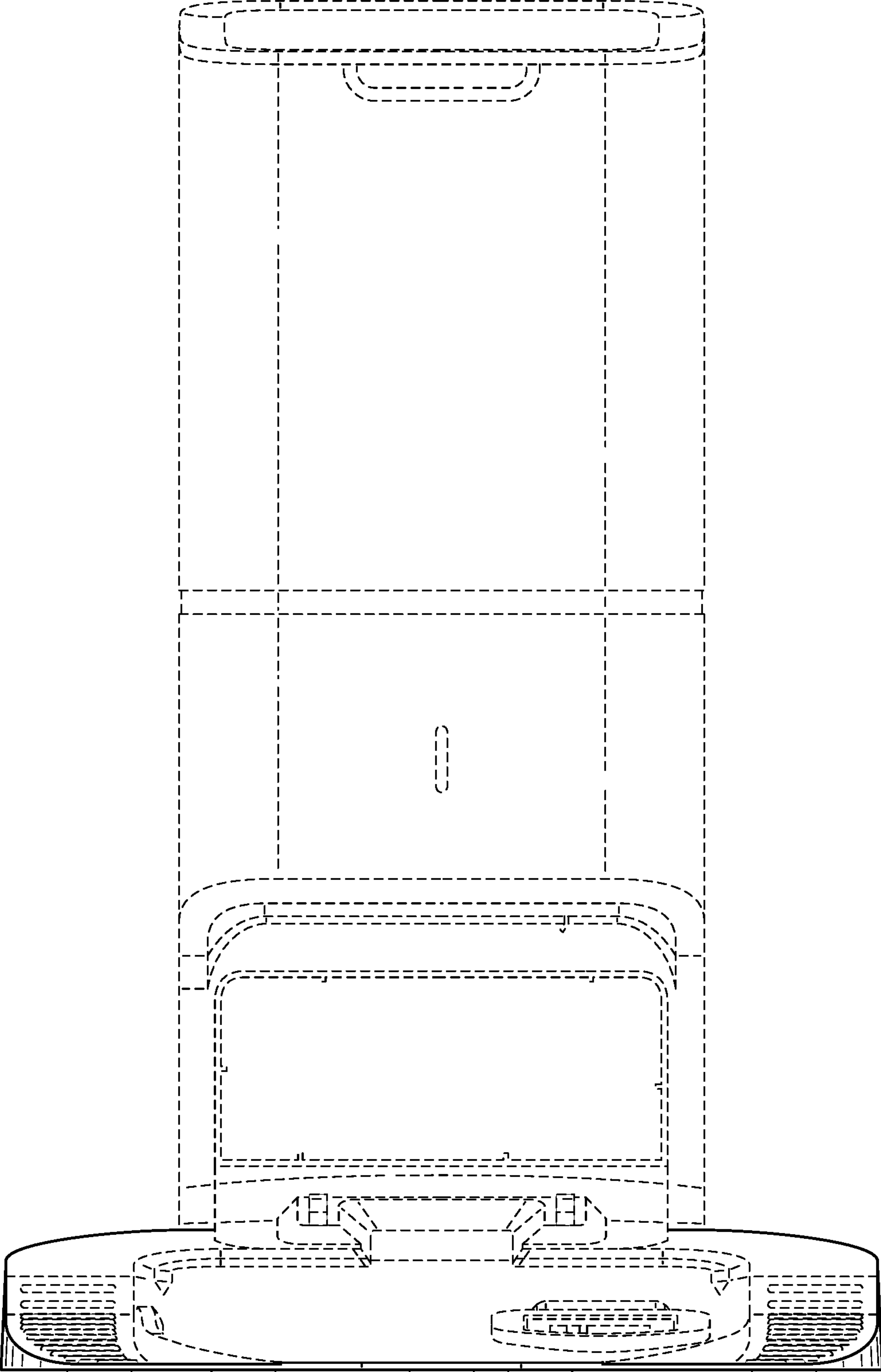


FIG. 2

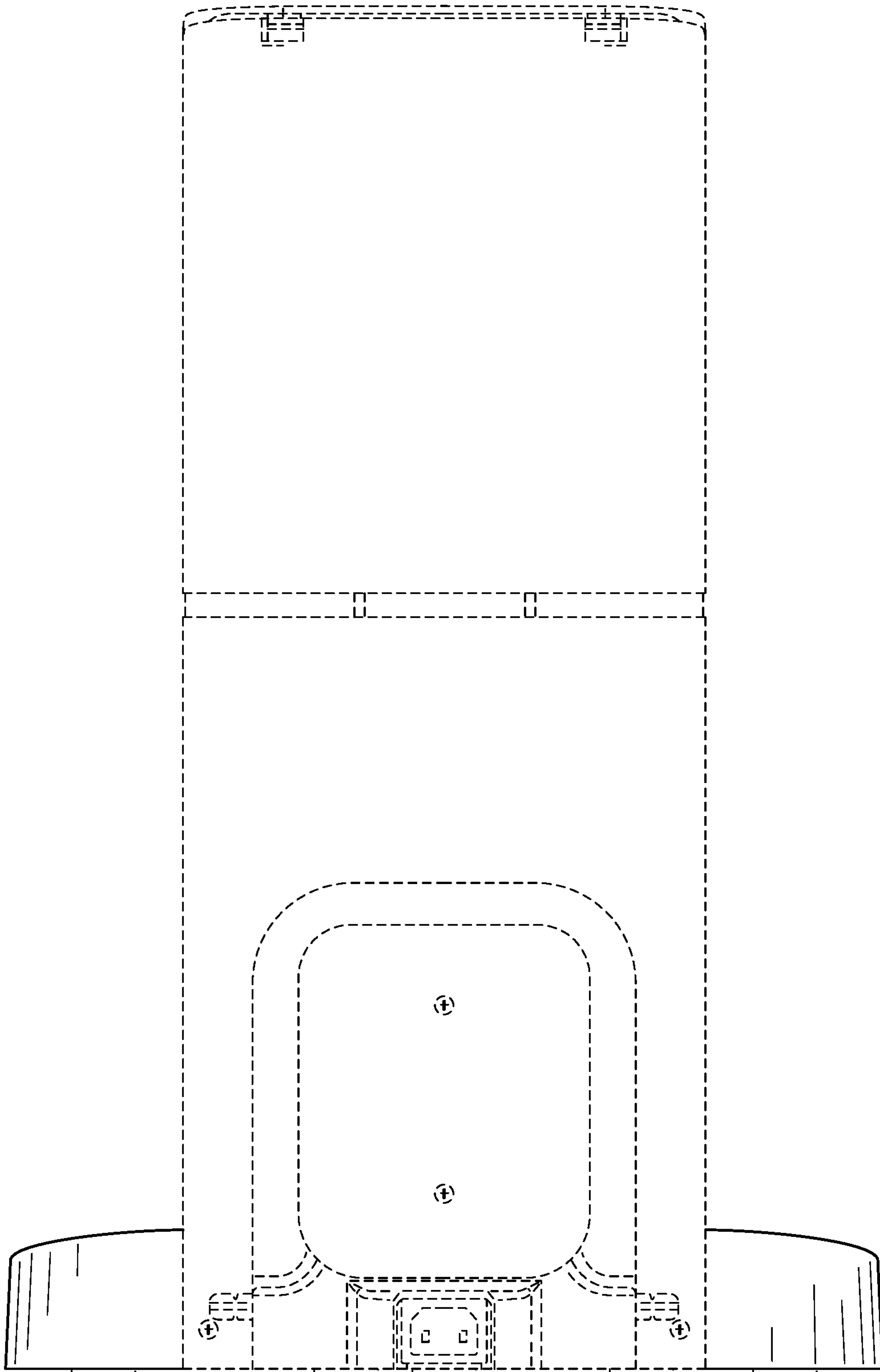


FIG. 3



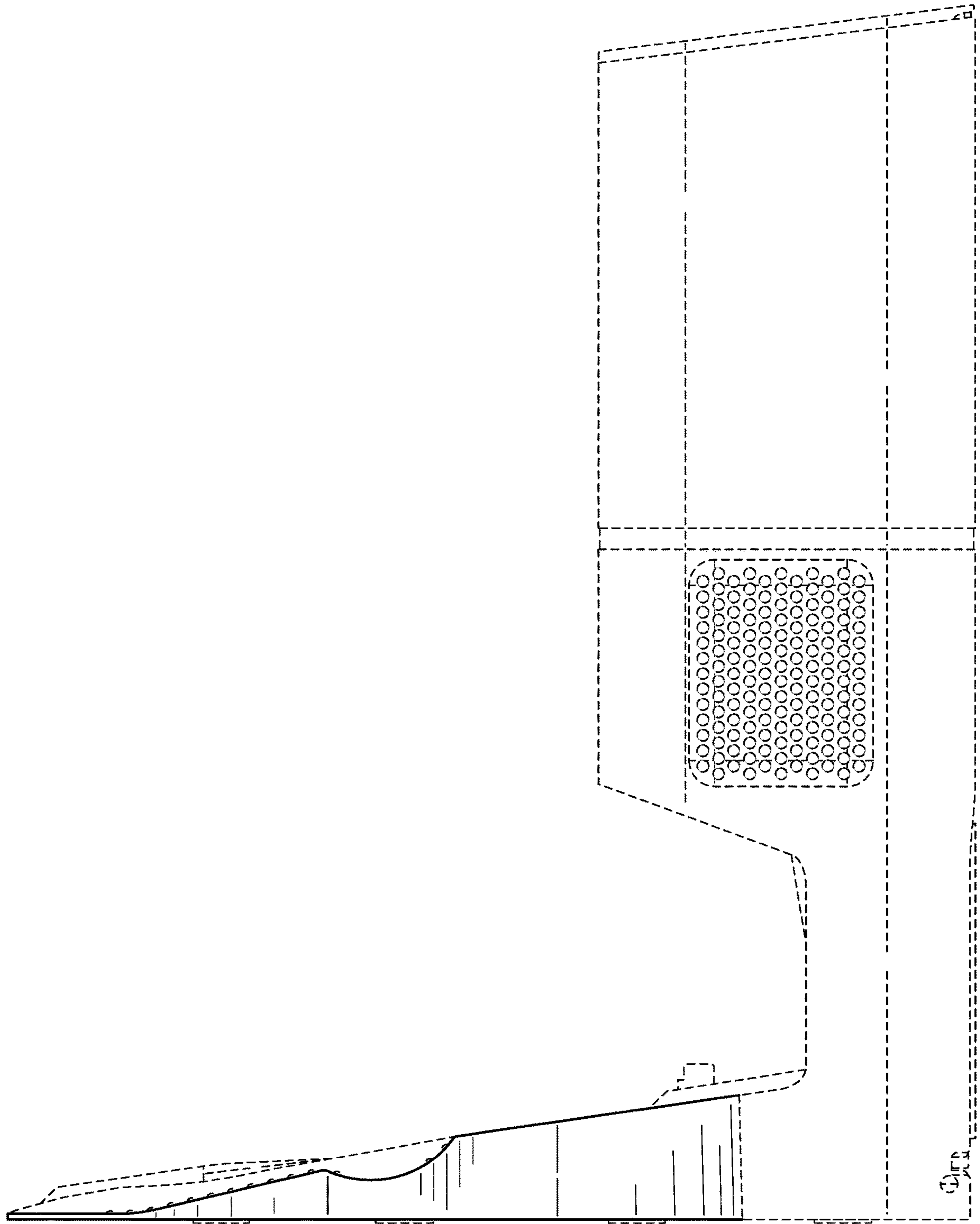


FIG. 4

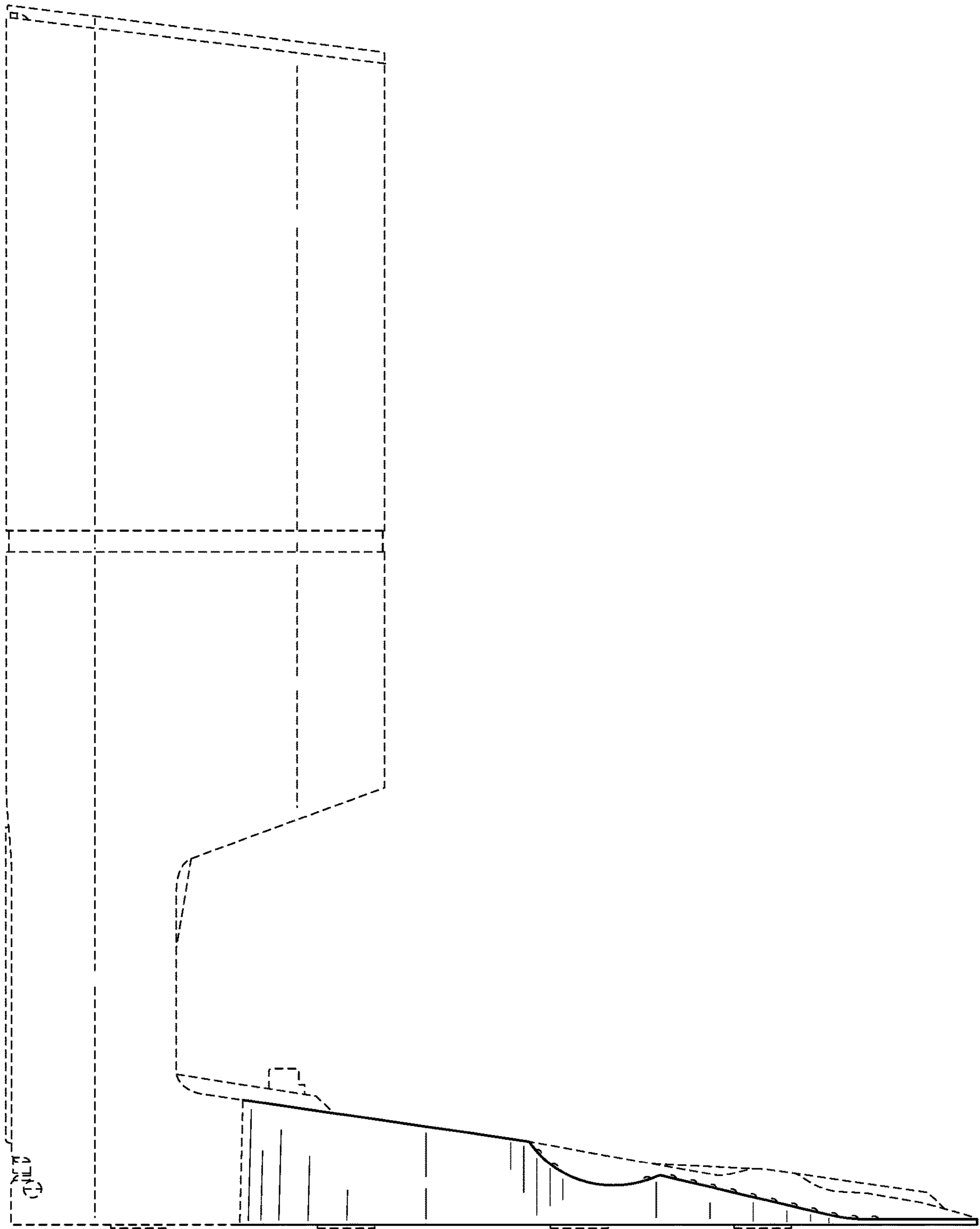


FIG. 5

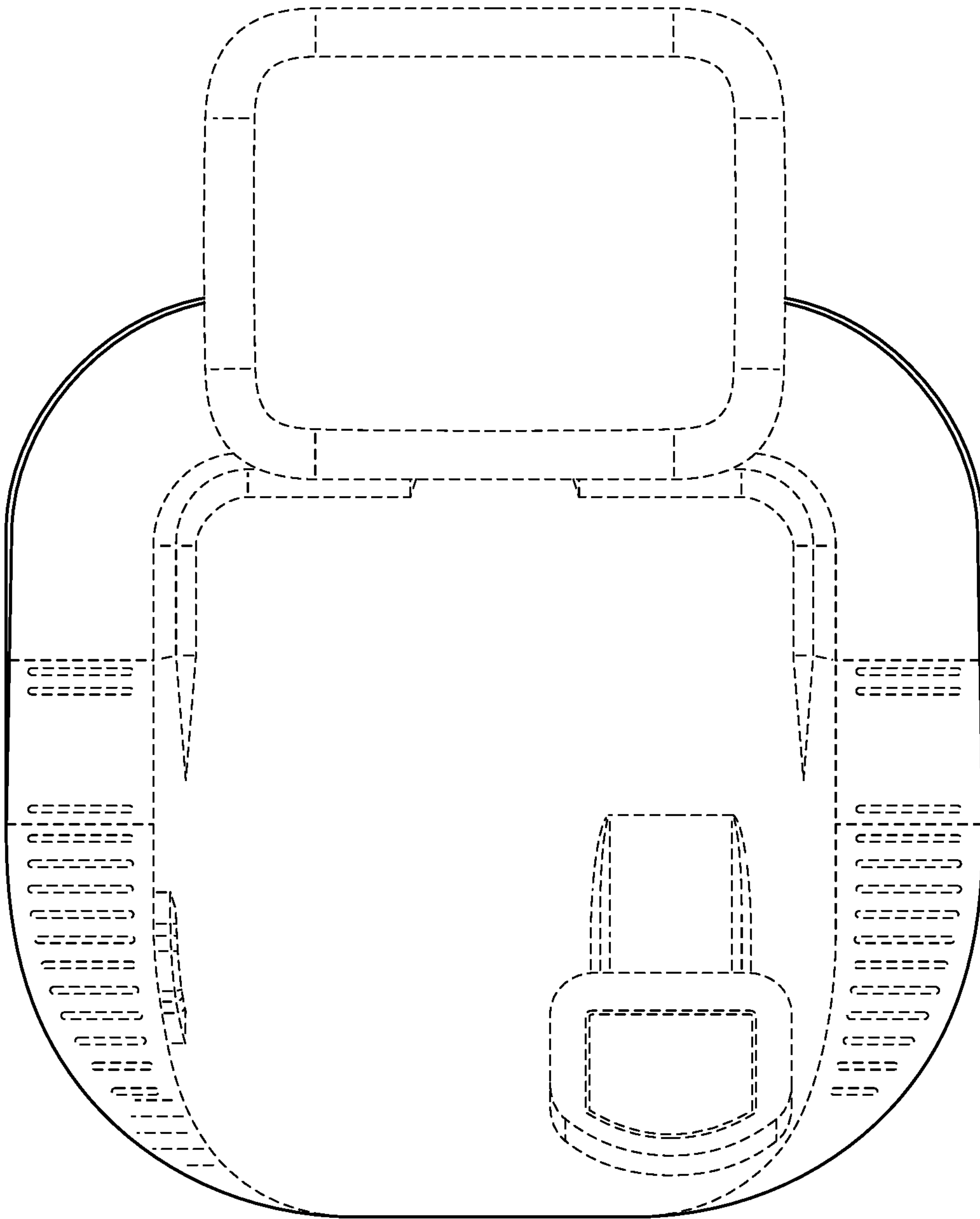


FIG. 6



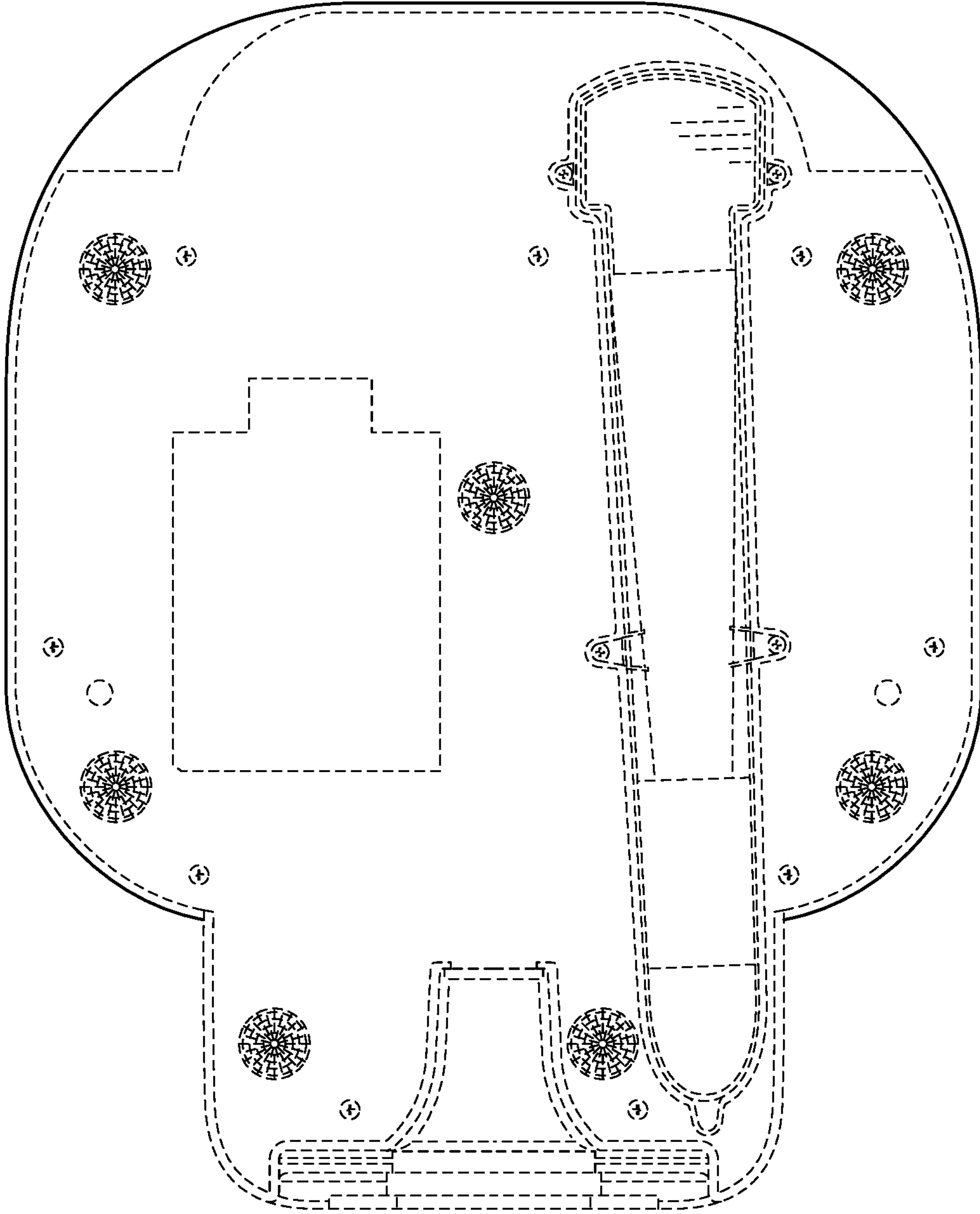


FIG. 7