



US00D961174S

(12) **United States Design Patent**
Zhang

(10) **Patent No.:** **US D961,174 S**

(45) **Date of Patent:** **** Aug. 16, 2022**

(54) **CAT SCRATCHING PAD**

(71) Applicant: **Limin Zhang**, Zhongshan (CN)

(72) Inventor: **Limin Zhang**, Zhongshan (CN)

(**) Term: **15 Years**

(21) Appl. No.: **29/818,985**

(22) Filed: **Dec. 13, 2021**

(51) **LOC (13) Cl.** **30-99**

(52) **U.S. Cl.**

USPC **D30/158**; D30/160

(58) **Field of Classification Search**

USPC D30/158, 159, 199, 160, 108, 118-120, D30/104, 161; 119/625, 633, 600, 617, 119/628, 632, 631, 602, 621, 603, 28.5, 119/174, 706, 482, 485, 452, 453, 498, 119/499, 702, 708; D4/136, 127, 124, D4/130; D28/91.2, 63; D32/47, 35, 40, D32/52; D24/211, 212, 214, 215; 15/114, 110, 117, 160, DIG. 6, 210.1, 15/207.2, DIG. 5, 105, 111, 187; 4/606, 4/559; 601/136, 137; 132/129, 132, 148, 132/114; 401/28; D23/261; D6/592
CPC A01K 15/02; A01K 15/024; A01K 15/025; A01K 15/027; A01K 1/033; A01K 1/035; A01K 13/004; A01K 13/00

See application file for complete search history.

(56) **References Cited**

U.S. PATENT DOCUMENTS

- 3,486,485 A * 12/1969 Kahanick A01K 15/024
119/706
- 4,422,194 A * 12/1983 Viesturs A47C 27/085
5/687
- 5,184,568 A * 2/1993 Healey A01K 15/024
119/482
- D349,625 S * 8/1994 daPalma D6/596
- 5,490,821 A * 2/1996 Wu A61H 7/001
5/651

- D374,723 S * 10/1996 Brooks D24/212
- D387,512 S * 12/1997 Bergman D30/119
- D391,109 S * 2/1998 Miller D6/601
- D408,599 S * 4/1999 Vice D30/161
- D444,600 S * 7/2001 Spritzer D30/160
- D555,843 S * 11/2007 Lika D30/160
- D615,710 S * 5/2010 Zine D30/118
- D621,105 S * 8/2010 Askinasi D30/161
- D652,239 S * 1/2012 Governale D6/601
- D689,247 S * 9/2013 Reichert D30/119

(Continued)

OTHER PUBLICATIONS

Cat Scratching Mat <https://m.made-in-china.com/product/Cat-Scratch-Pad-Scratcher-with-Catnip-Scratching-Posts-Cat-Toy-Scratch-Board-Lounge-with-Bell-Ball-855257075.html> (Year: 2022).*

Primary Examiner — Susan Moon Lee

(57) **CLAIM**

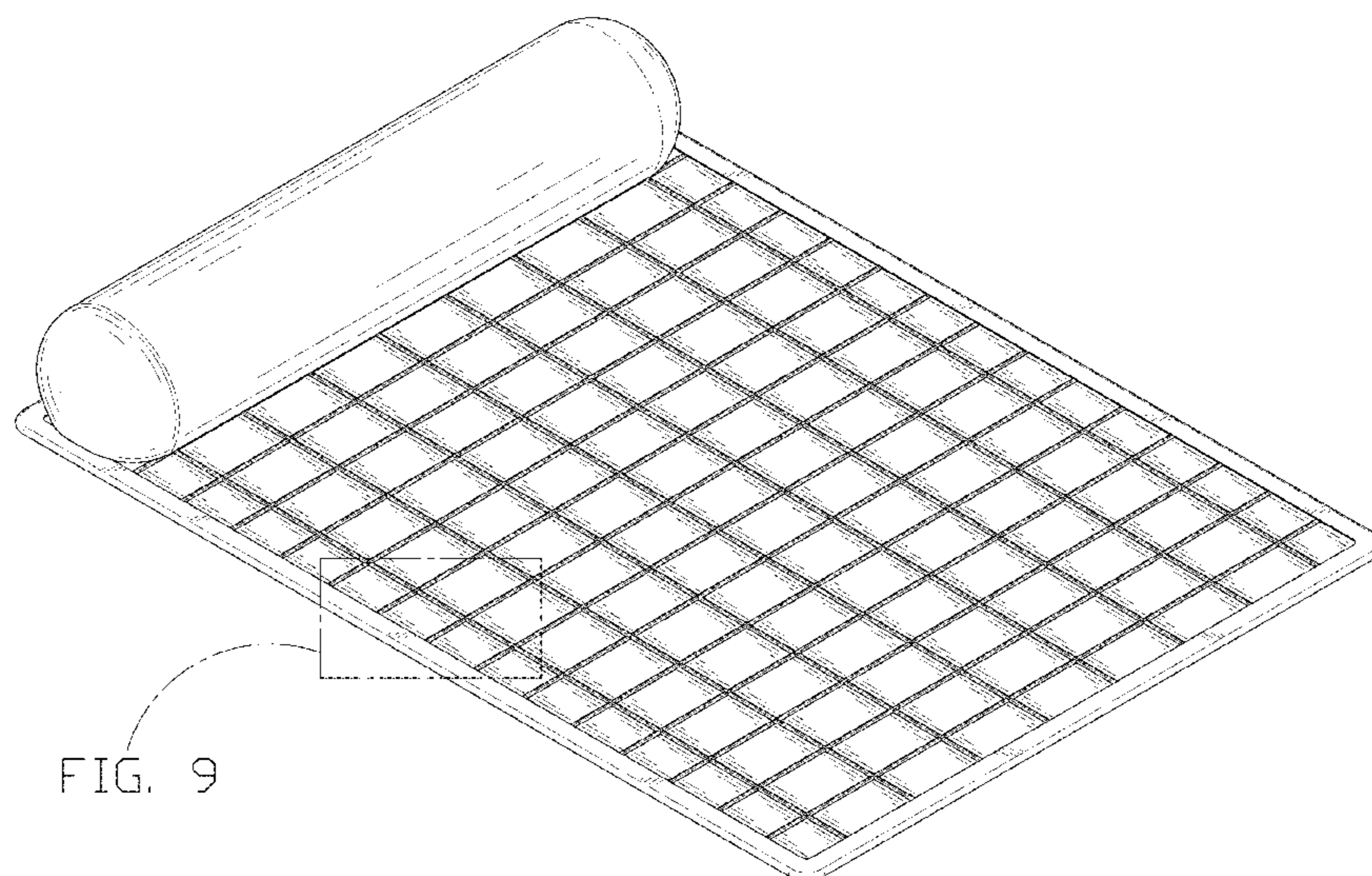
The ornamental design for a cat scratching pad, as shown and described.

DESCRIPTION

FIG. 1 is a front and top perspective view of a cat scratching pad, showing, my new design;
FIG. 2 is a rear and bottom perspective view thereof;
FIG. 3 is a front elevation view thereof;
FIG. 4 is a rear elevation view thereof;
FIG. 5 is a left side elevation view thereof;
FIG. 6 is a right side elevation view thereof;
FIG. 7 is a top plan view thereof;
FIG. 8 is a bottom plan view thereof;
FIG. 9 is an enlarged view of a portion labeled, 'FIG. 9' in FIG. 1; and,
FIG. 10 is an enlarged view of a portion labeled, 'FIG. 10' in FIG. 2.

The dash dot dash lines in FIGS. 1, 2, 9 and 10 are for the purpose of depicting the boundary lines of the enlarged views and form no part of the claimed design.

1 Claim, 10 Drawing Sheets



(56)

References Cited

U.S. PATENT DOCUMENTS

D691,828	S *	10/2013	Rosenberg	D6/601
9,345,233	B1 *	5/2016	Tsengas	A01K 15/024
D782,750	S *	3/2017	Denney	D30/158
9,737,045	B1 *	8/2017	Scanlan	A01K 1/0157
10,034,457	B2 *	7/2018	Swartz	A01K 15/021
D836,848	S *	12/2018	Brotten	D30/118
D850,151	S *	6/2019	Reardon	D6/583
D851,425	S *	6/2019	Clute	D6/601
10,334,841	B2 *	7/2019	Carstensen	A01M 29/24
D875,428	S *	2/2020	Lin	D6/582
D891,011	S	7/2020	Long, Jr.		
D927,800	S *	8/2021	Bin	D30/119
D930,268	S *	9/2021	Lee	D30/118
D953,658	S *	5/2022	Huang	D30/158
2002/0189549	A1 *	12/2002	Writer	A01K 15/024 119/706
2006/0213019	A1 *	9/2006	Kessler	A47L 23/266 15/216
2007/0039558	A1 *	2/2007	Hensley	A01K 15/024 119/621
2012/0266825	A1 *	10/2012	Lechaton	A01K 1/0107 427/337
2014/0373792	A1 *	12/2014	Gallo	A01K 1/0353 119/28.5
2015/0107520	A1 *	4/2015	Dumen	A01K 15/024 119/28.5
2017/0006830	A1 *	1/2017	Ou	A01K 15/024
2022/0132802	A1 *	5/2022	Mora	A01K 15/024 119/706

* cited by examiner

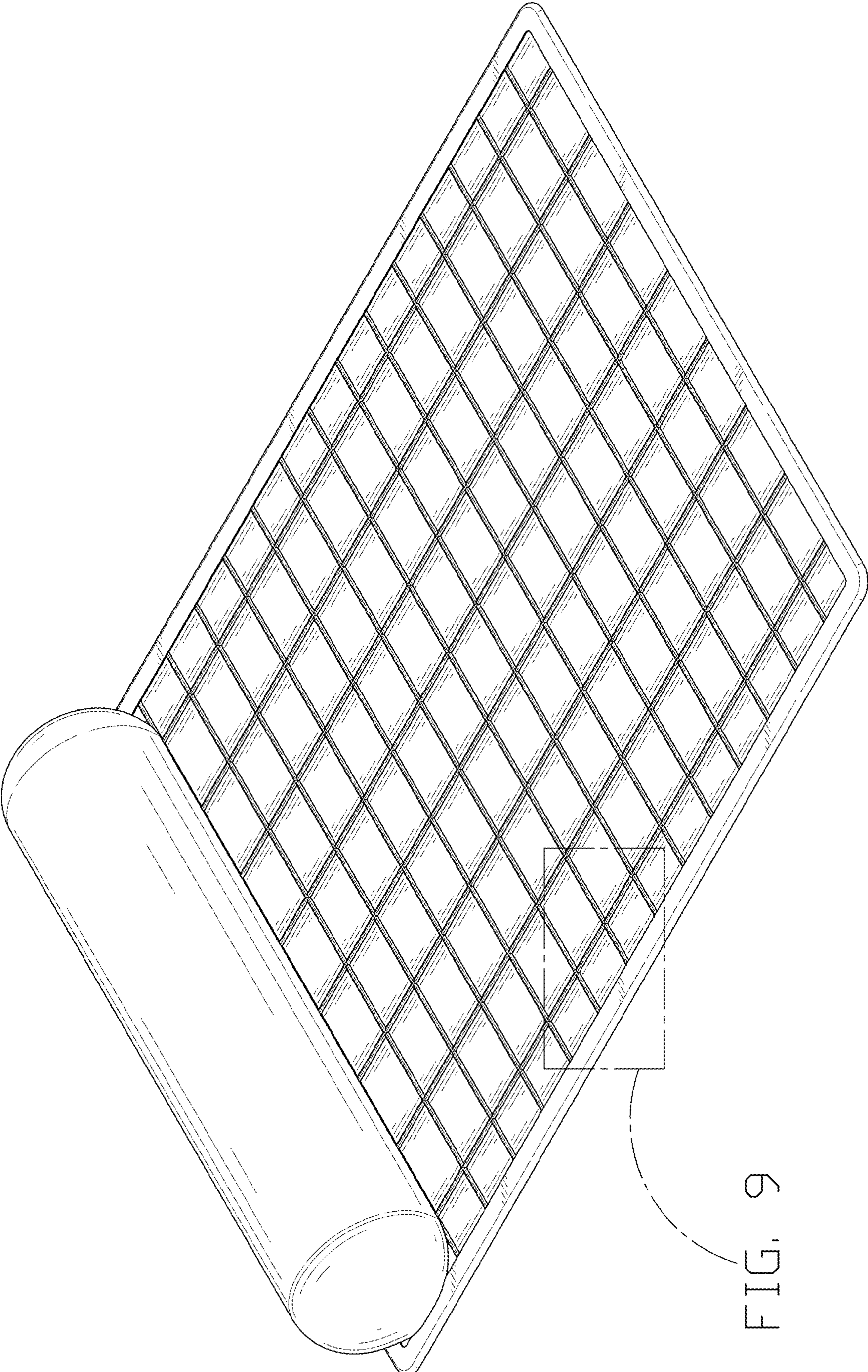


FIG. 1

FIG. 9

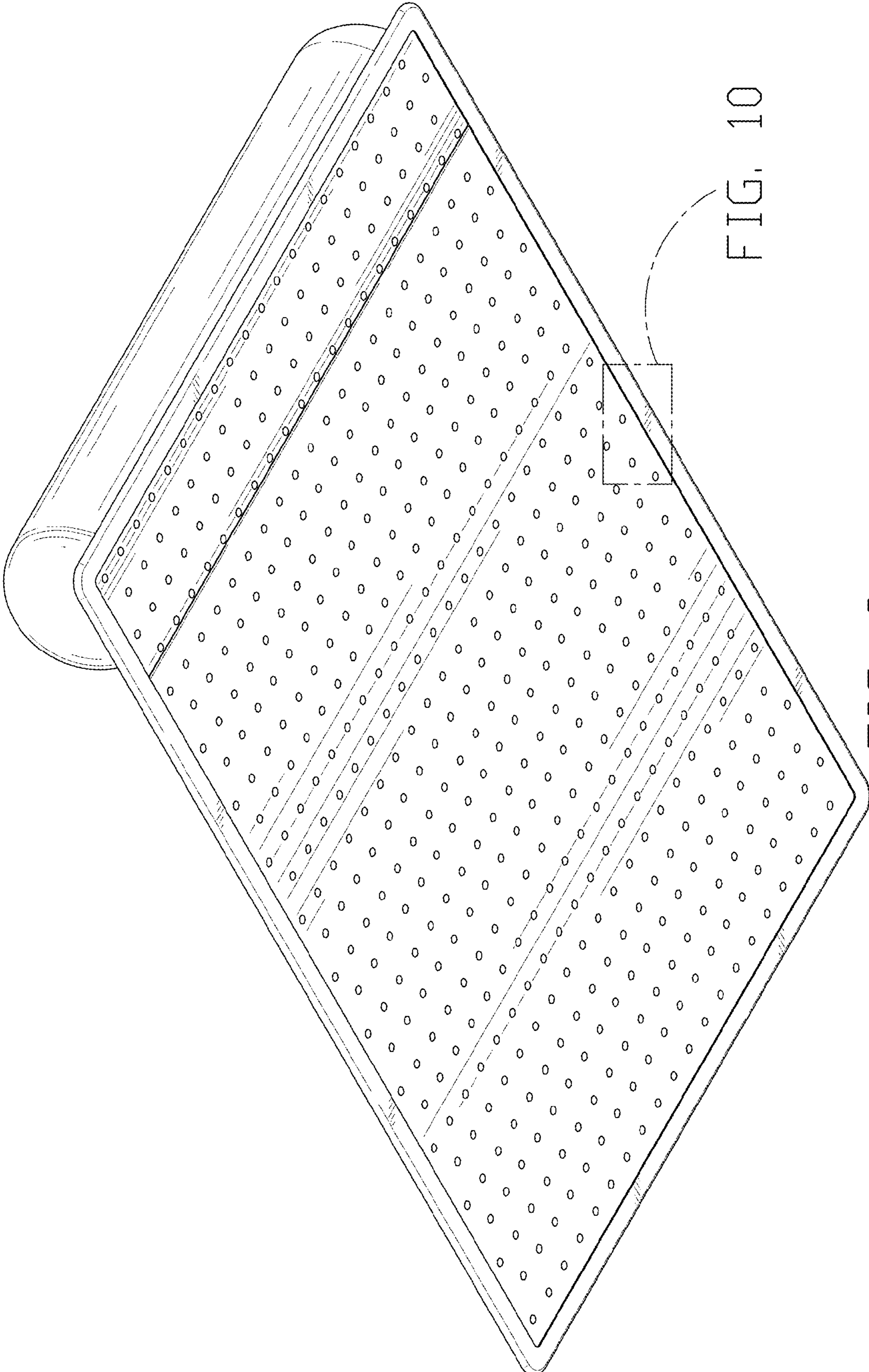


FIG. 10

FIG. 2

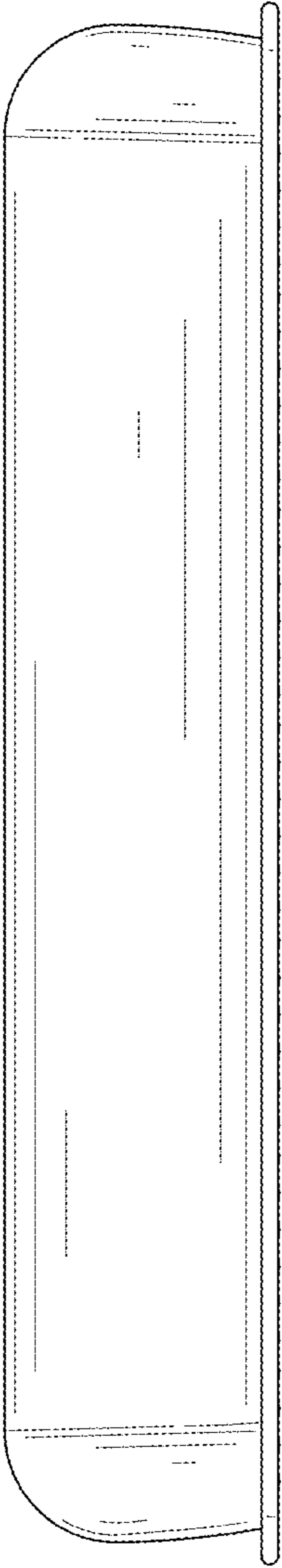


FIG. 3

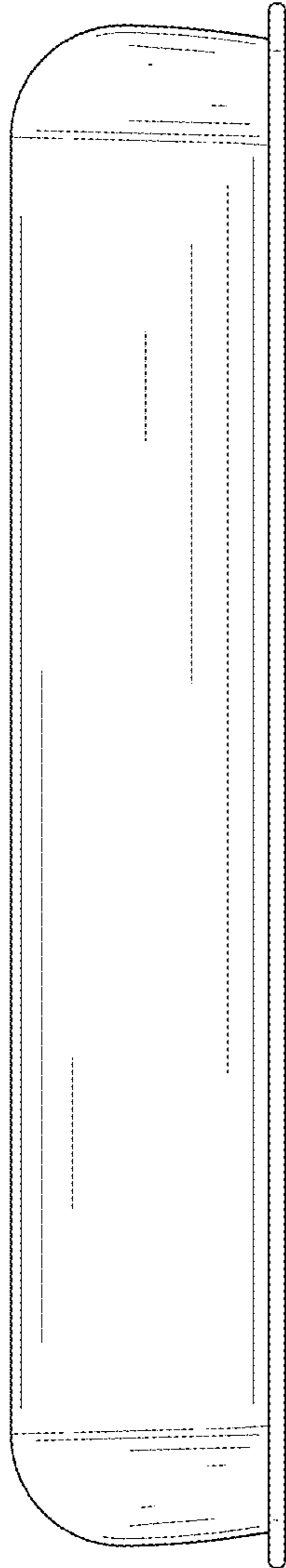


FIG. 4

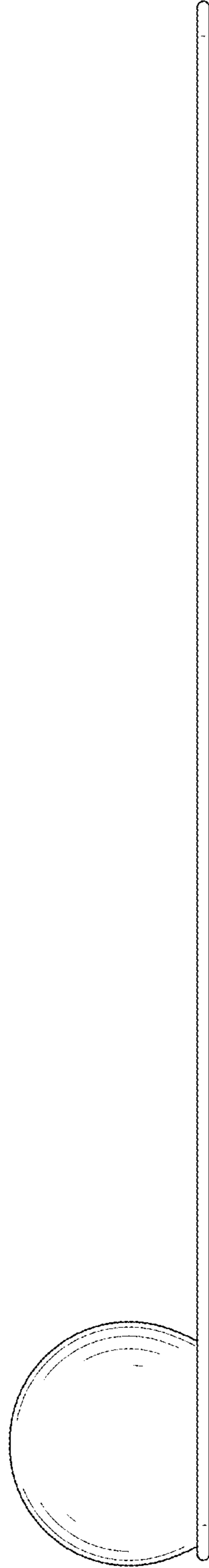


FIG. 5

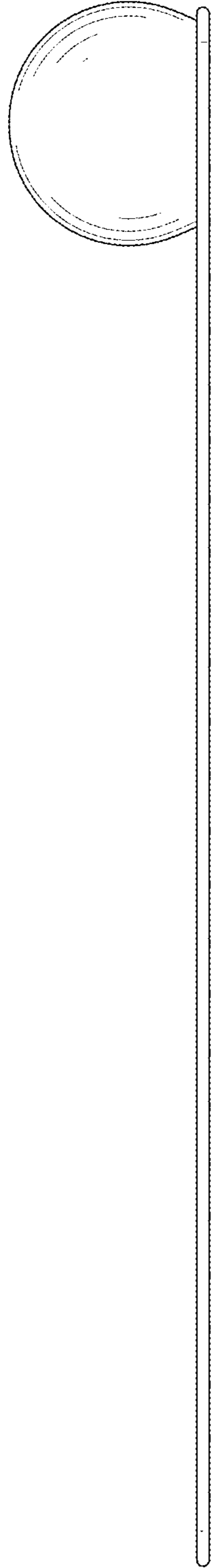


FIG. 6

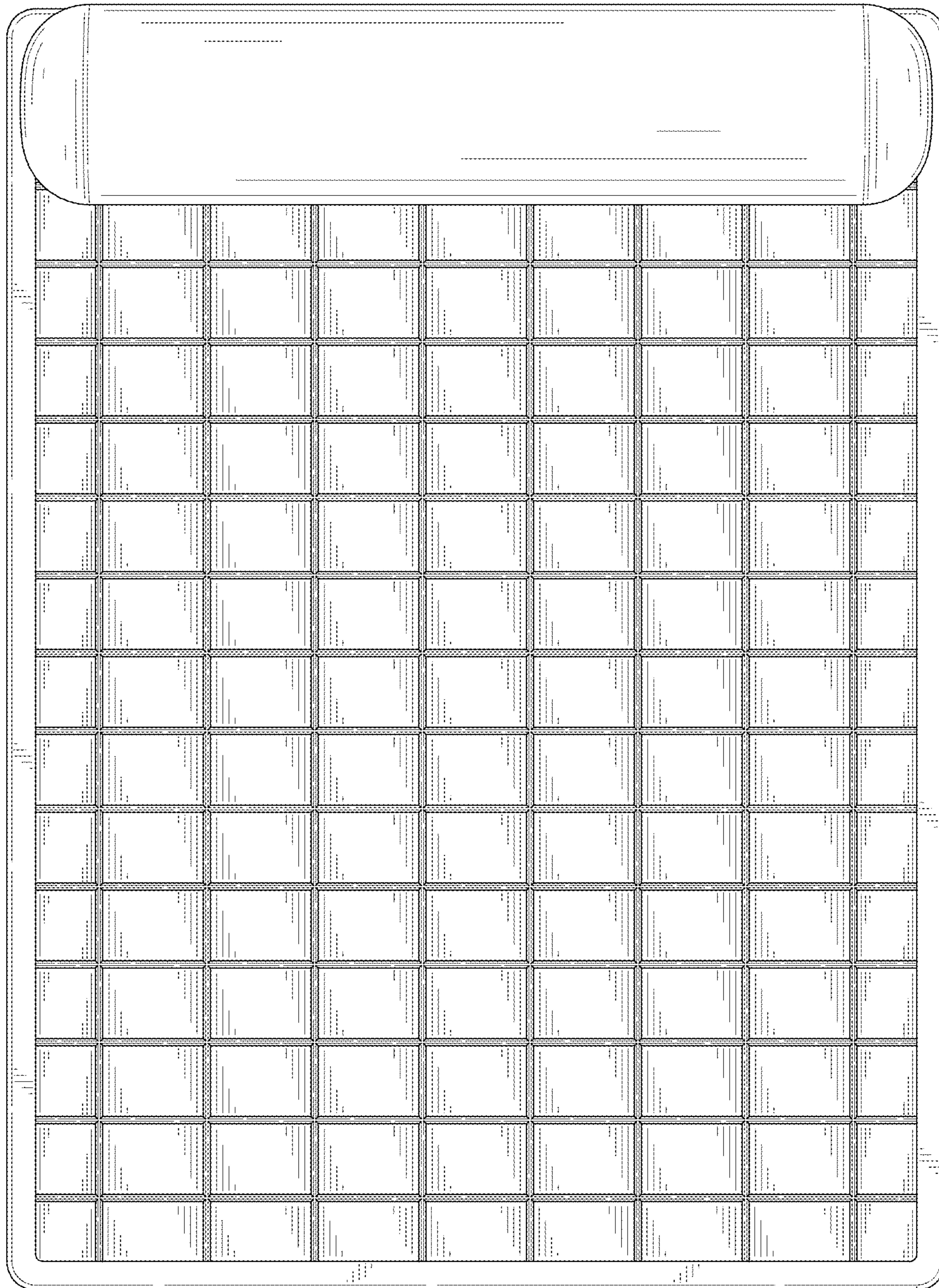


FIG. 7

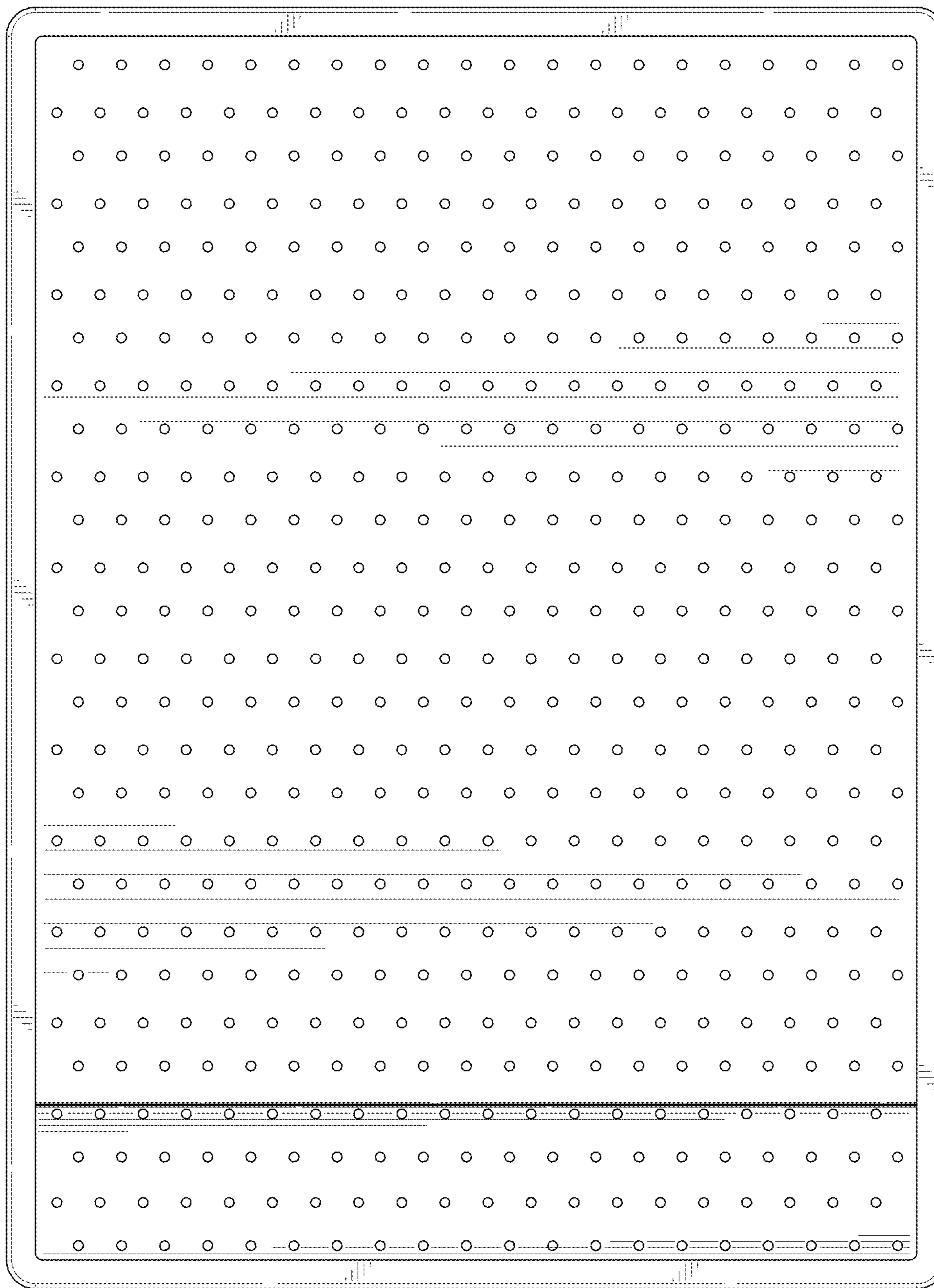


FIG. 8

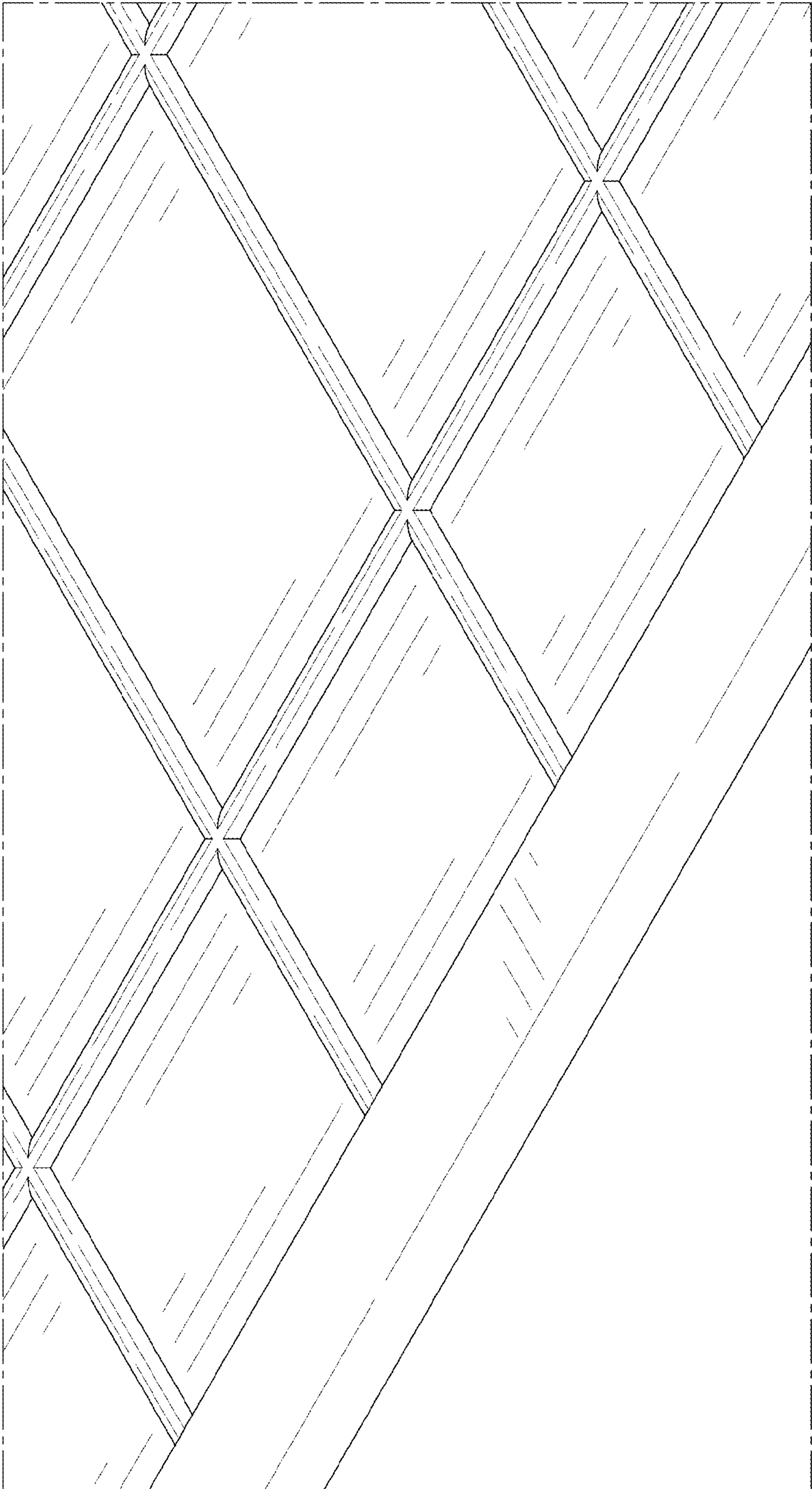


FIG. 9

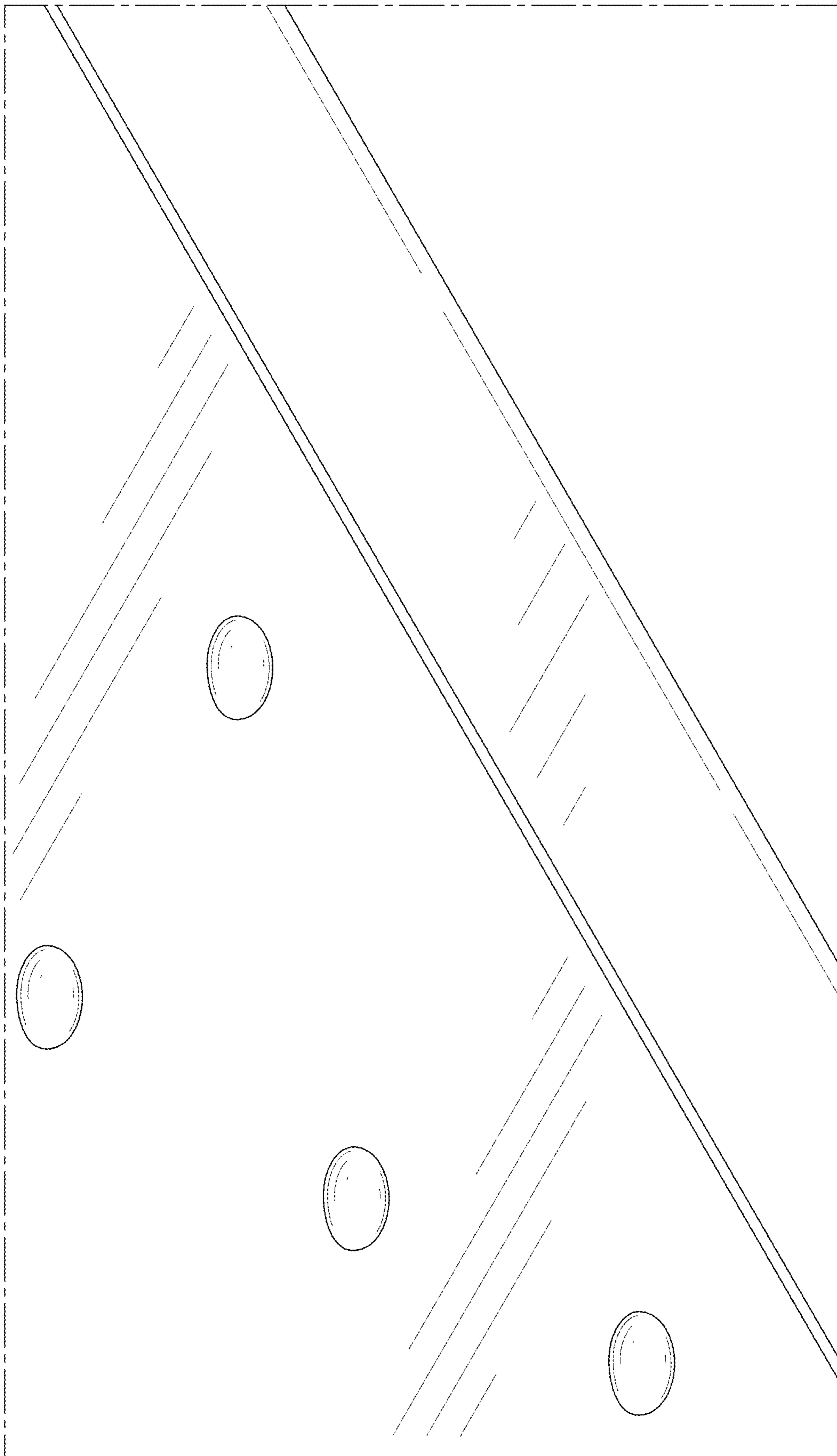


FIG. 10