



US00D961166S

(12) **United States Design Patent**
Cao

(10) **Patent No.:** **US D961,166 S**
(45) **Date of Patent:** **** Aug. 16, 2022**

(54) **BICYCLE HELMET**

(71) Applicant: **SHENZHEN YOU YUN AN INTELLIGENT TECHNOLOGY CO., LTD**, Shenzhen (CN)

(72) Inventor: **Haitao Cao**, Shenzhen (CN)

(73) Assignee: **SHENZHEN YOU YUN AN INTELLIGENT TECHNOLOGY CO., LTD**, Shenzhen (CN)

(**) Term: **15 Years**

(21) Appl. No.: **29/738,533**

(22) Filed: **Jun. 18, 2020**

(51) **LOC (13) Cl.** **02-03**

(52) **U.S. Cl.**
USPC **D29/102**

(58) **Field of Classification Search**
USPC D29/102-111, 122
CPC A42B 3/00; A42B 3/0433; A42B 3/06;
A42B 3/066; A42B 3/14; A42B 3/30;
A42B 3/04; A42B 3/10; A42B 3/12;
A42B 3/121; A42B 3/044; A42B 3/0453;
A42B 3/046; A42B 3/0466; A63B 71/10
See application file for complete search history.

(56) **References Cited**

U.S. PATENT DOCUMENTS

D299,978 S * 2/1989 Chiarella D29/102
D417,755 S * 12/1999 Mitrakos D29/102
6,266,827 B1 * 7/2001 Lampe A42B 3/00
2/425
D777,379 S * 1/2017 Mullins D29/107
D811,662 S * 2/2018 McEneany D29/102

D812,309 S * 3/2018 Nellestam D29/102
D822,905 S * 7/2018 Thorsell D29/102
D844,252 S * 3/2019 Kirshon D29/102
D859,747 S * 9/2019 Garcia Mansilla D29/106
D890,436 S * 7/2020 Richert D29/102

OTHER PUBLICATIONS

Shenzhen You Yun An Intelligent Tech Smart Helmet (on-line), no date available. Retrieved from Internet Mar. 28, 2022, URL: <http://www.youyunan.com/h-col-118.html> (4 pages).
Zonzou Smart Helmet—S66A Urban—Cannasia (on-line), no date available. Retrieved from Internet Mar. 28, 2022, URL: <https://www.cannasia.com/products/zonzou-smart-helmet-s66a-urban?variant=39496007614531> (1 page).*

* cited by examiner

Primary Examiner — Kimberly Barnes

(74) *Attorney, Agent, or Firm* — Li & Cai Intellectual Property (USA) Office

(57) **CLAIM**

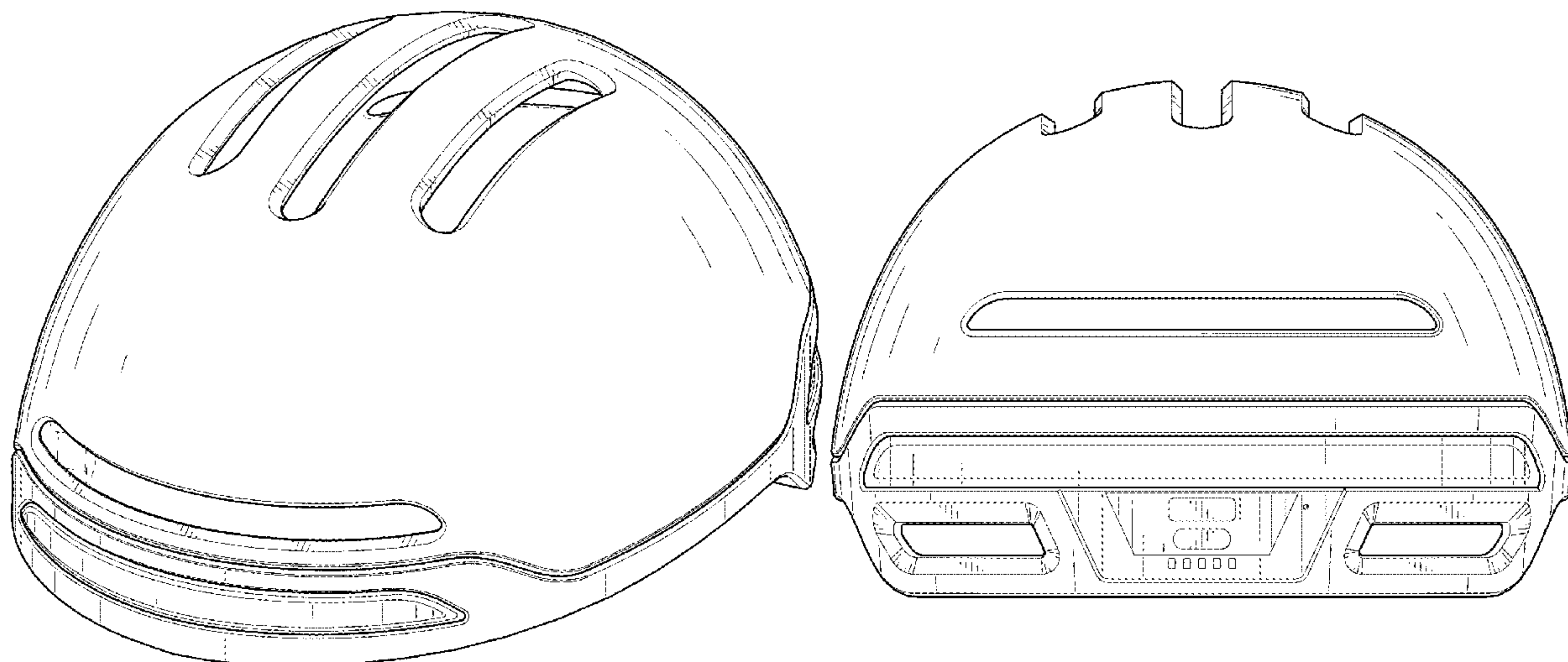
The ornamental design for a bicycle helmet, as shown and described.

DESCRIPTION

FIG. 1 is a front, right side and top perspective view of a bicycle helmet showing my new design;
FIG. 2 is a front elevational view thereof;
FIG. 3 is a rear elevational view thereof;
FIG. 4 is a left side elevational view thereof;
FIG. 5 is a right side elevational view thereof;
FIG. 6 is a top plan view thereof; and,
FIG. 7 is a bottom plan view thereof.

The broken lines in the drawing depict portions of the bicycle helmet that form no part of the claimed design.

1 Claim, 7 Drawing Sheets



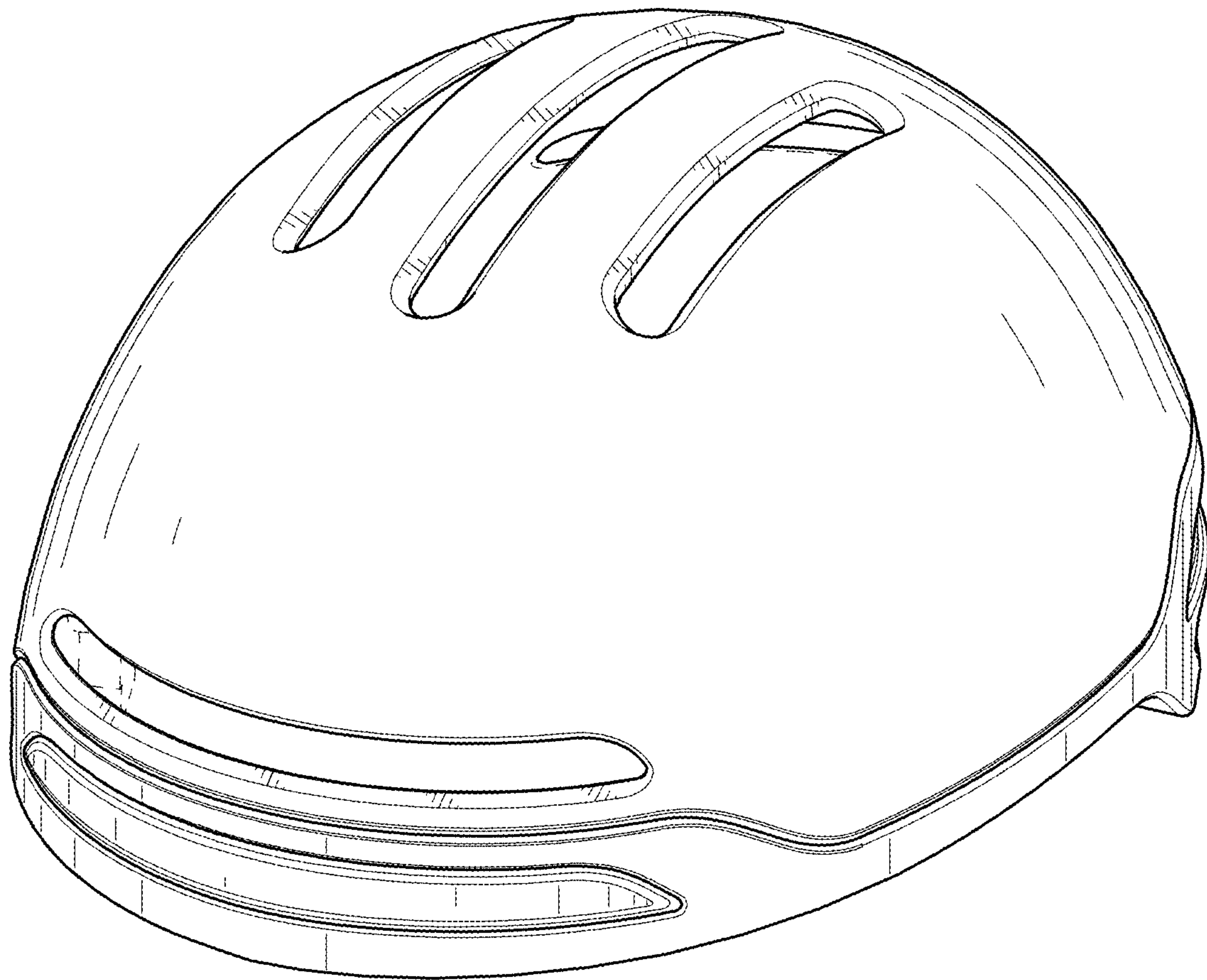


FIG. 1

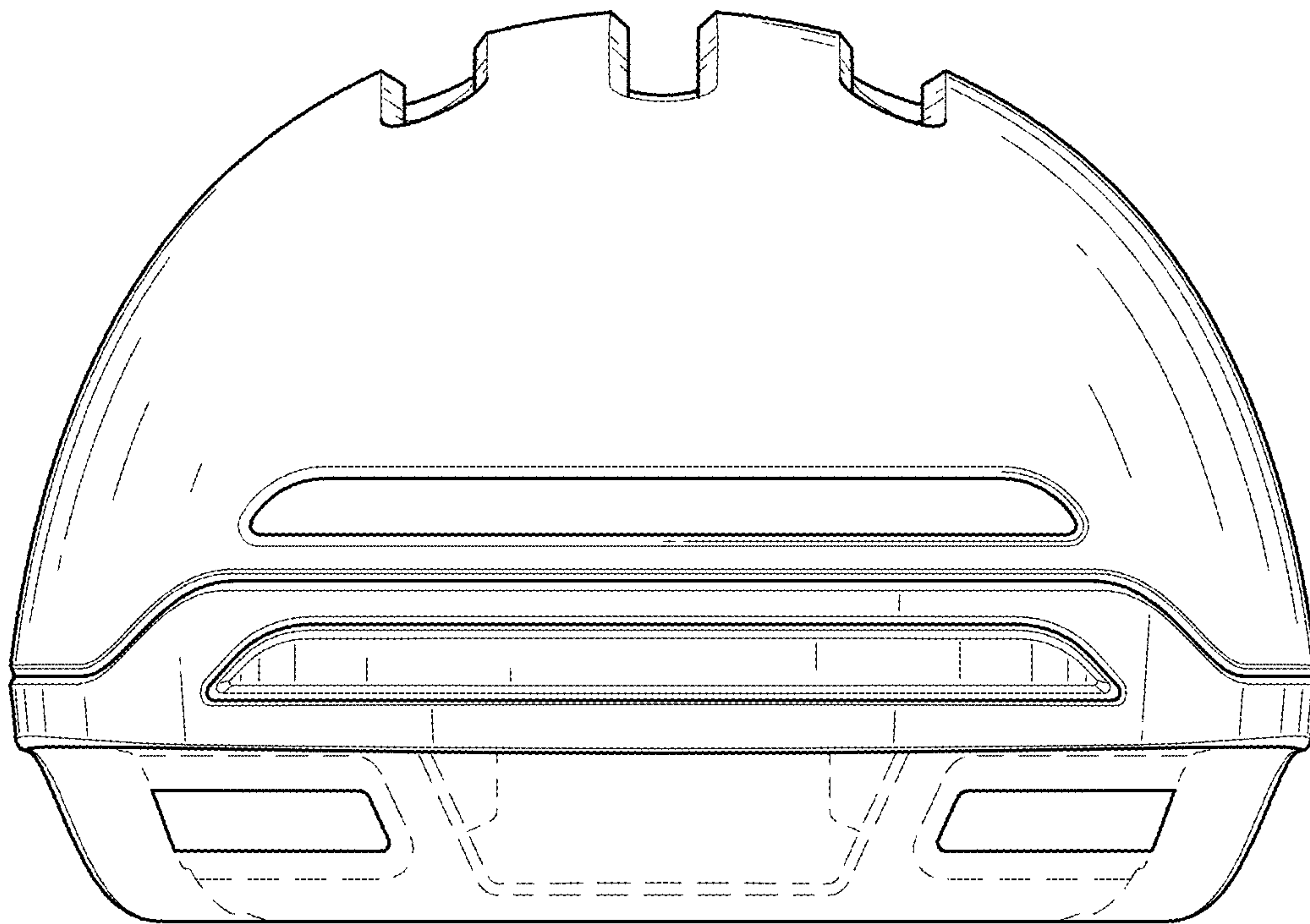


FIG. 2

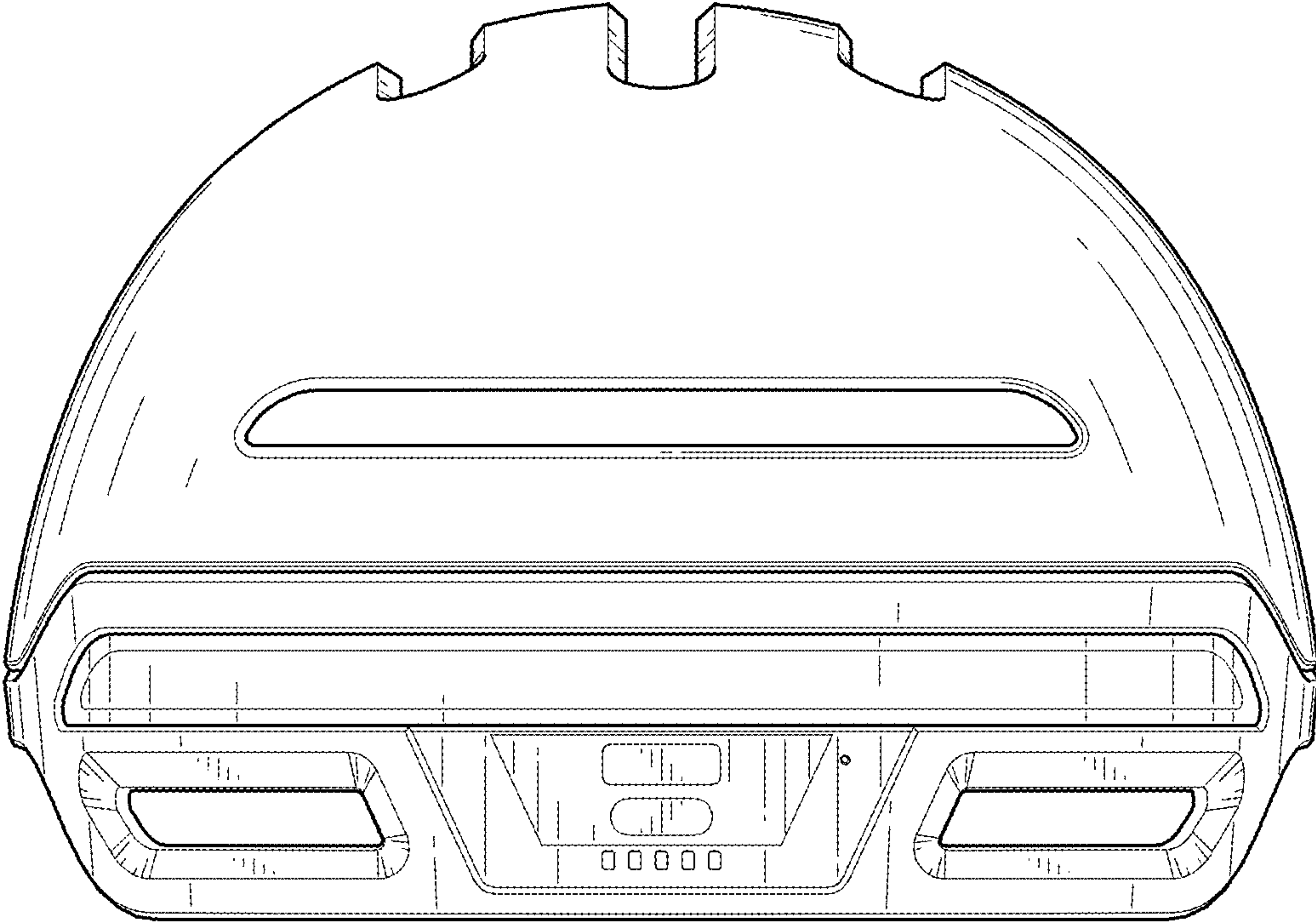


FIG. 3

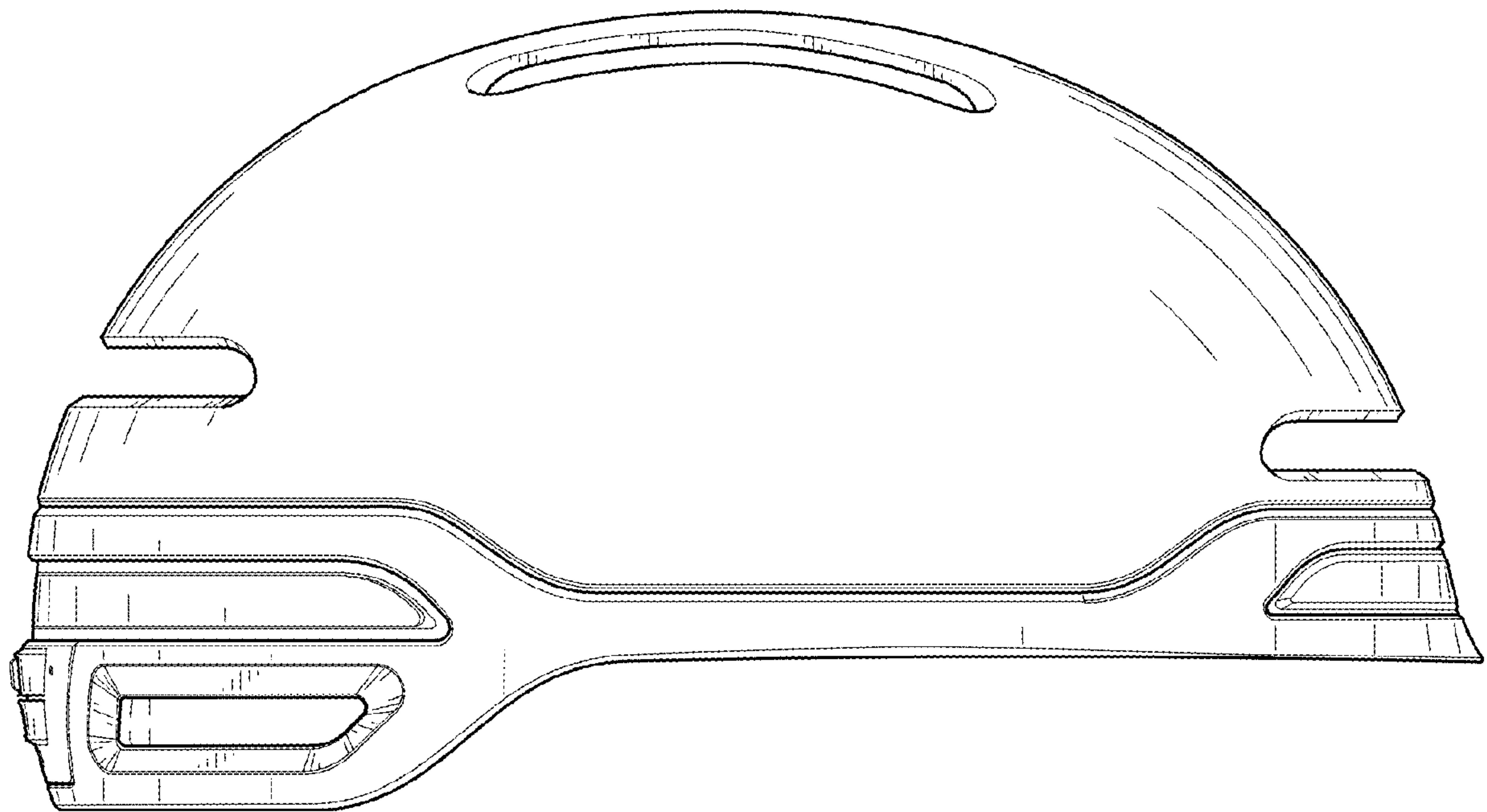


FIG.4

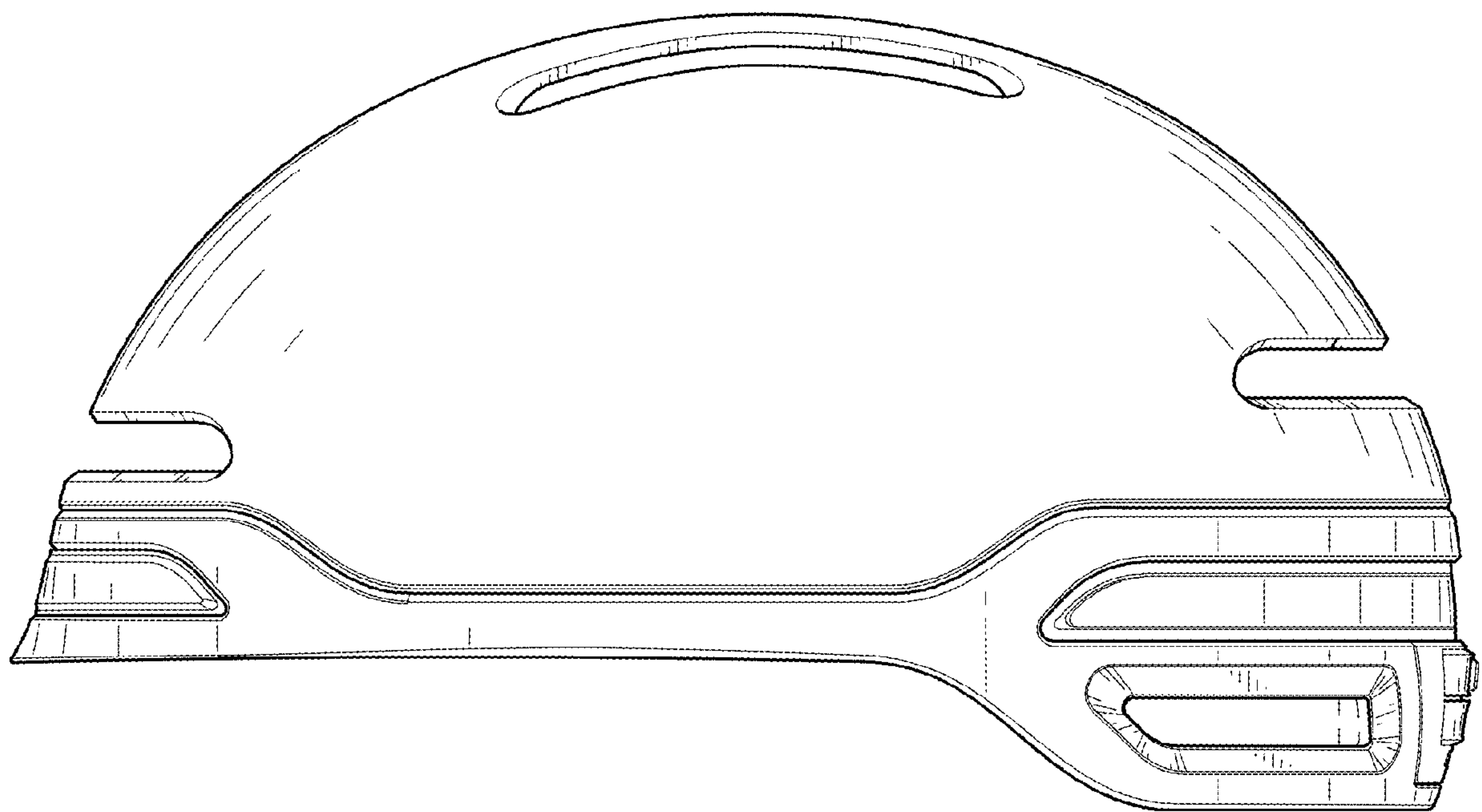


FIG. 5

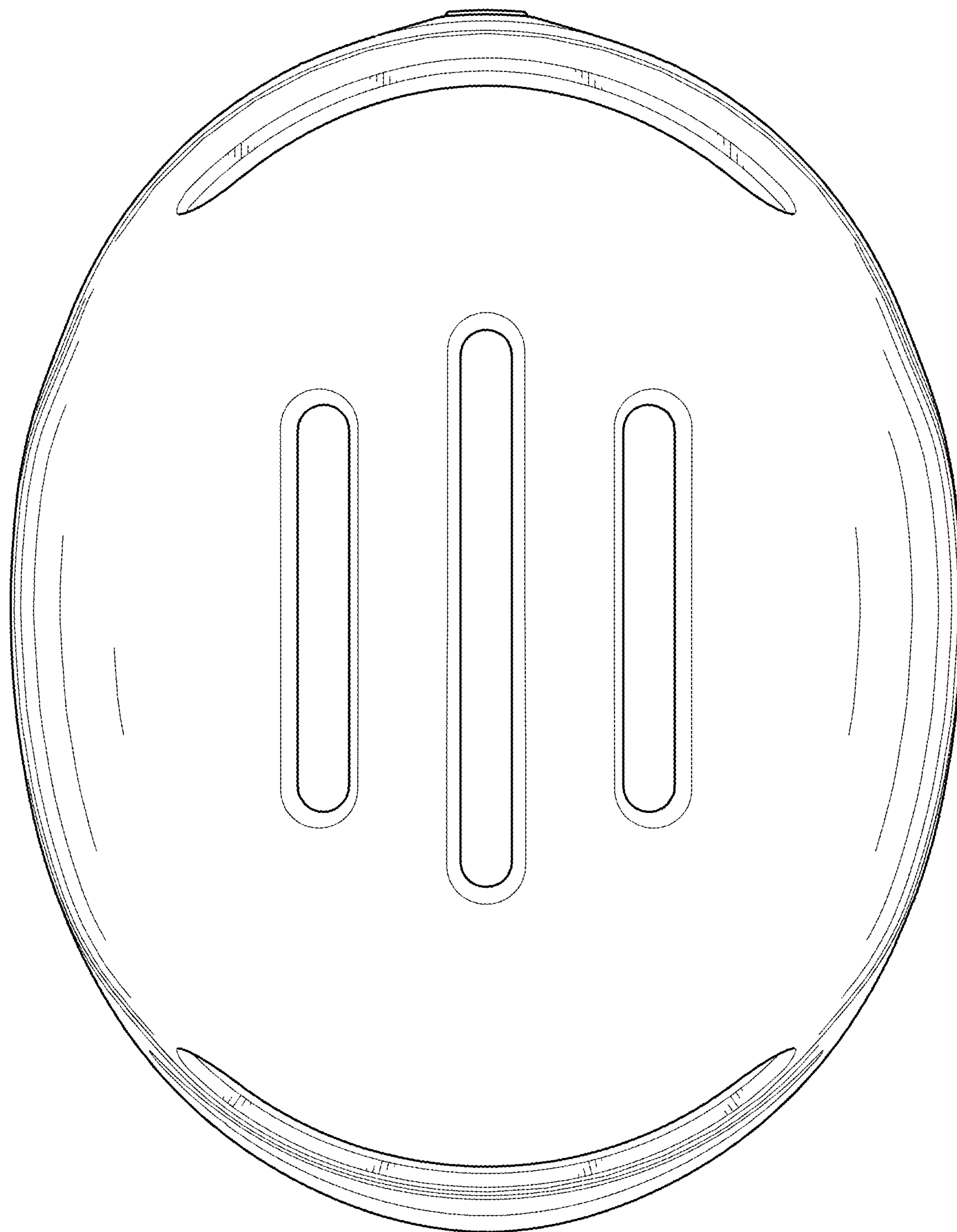


FIG. 6

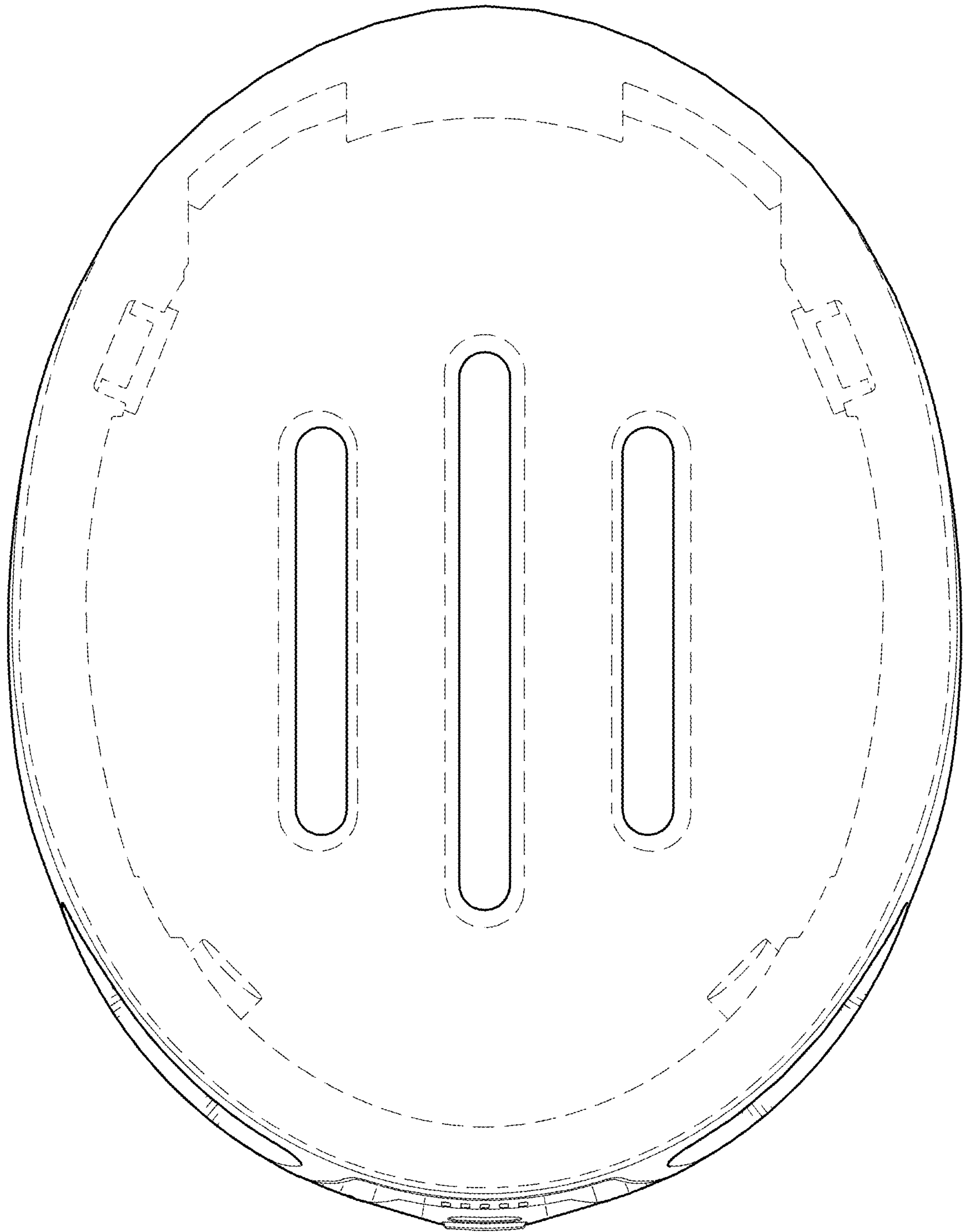


FIG. 7