



US00D961157S

(12) **United States Design Patent**
Kang

(10) **Patent No.:** **US D961,157 S**

(45) **Date of Patent:** **** Aug. 16, 2022**

(54) **ELECTRIC SHAVER REPLACEMENT HEAD**

(71) Applicant: **ROCKET COMMERCIAL LLC**,
Saint Louis, MO (US)

(72) Inventor: **Xiaowei Kang**, Saint Louis, MO (US)

(73) Assignee: **ROCKET COMMERCIAL LLC**,
Saint Louis, MO (US)

(**) Term: **15 Years**

(21) Appl. No.: **29/802,554**

(22) Filed: **Aug. 5, 2021**

(51) **LOC (13) Cl.** **28-03**

(52) **U.S. Cl.**
USPC **D28/50; D28/54**

(58) **Field of Classification Search**
USPC D28/50, 54
CPC B26B 19/384–388; B26B 19/14–18; B26B
19/00–107

See application file for complete search history.

(56) **References Cited**

U.S. PATENT DOCUMENTS

D693,060	S	*	11/2013	Lyles	D28/50
D717,492	S	*	11/2014	Kulshreshtha	D28/53
D803,480	S	*	11/2017	Wong	D28/53
D841,245	S	*	2/2019	Chen	D28/50
D853,645	S	*	7/2019	Stowers	D28/50
D861,986	S		10/2019	Wang et al.		
D914,290	S	*	3/2021	Kulshreshtha	D28/50
D918,474	S	*	5/2021	Lu	D28/50
D924,486	S	*	7/2021	Chen	D28/50
D941,530	S	*	1/2022	Chen	D28/50

D942,081	S	*	1/2022	Liu	D28/50
2008/0072430	A1	*	3/2008	Cafaro	B26B 19/06 30/526
2017/0106547	A1	*	4/2017	Lau	B26B 19/3853

OTHER PUBLICATIONS

7D Head Shaver Kensen, www.amazon.com, 1 page, first available Aug. 27, 2021 (Year: 2021).*

* cited by examiner

Primary Examiner — Jennifer Rivard

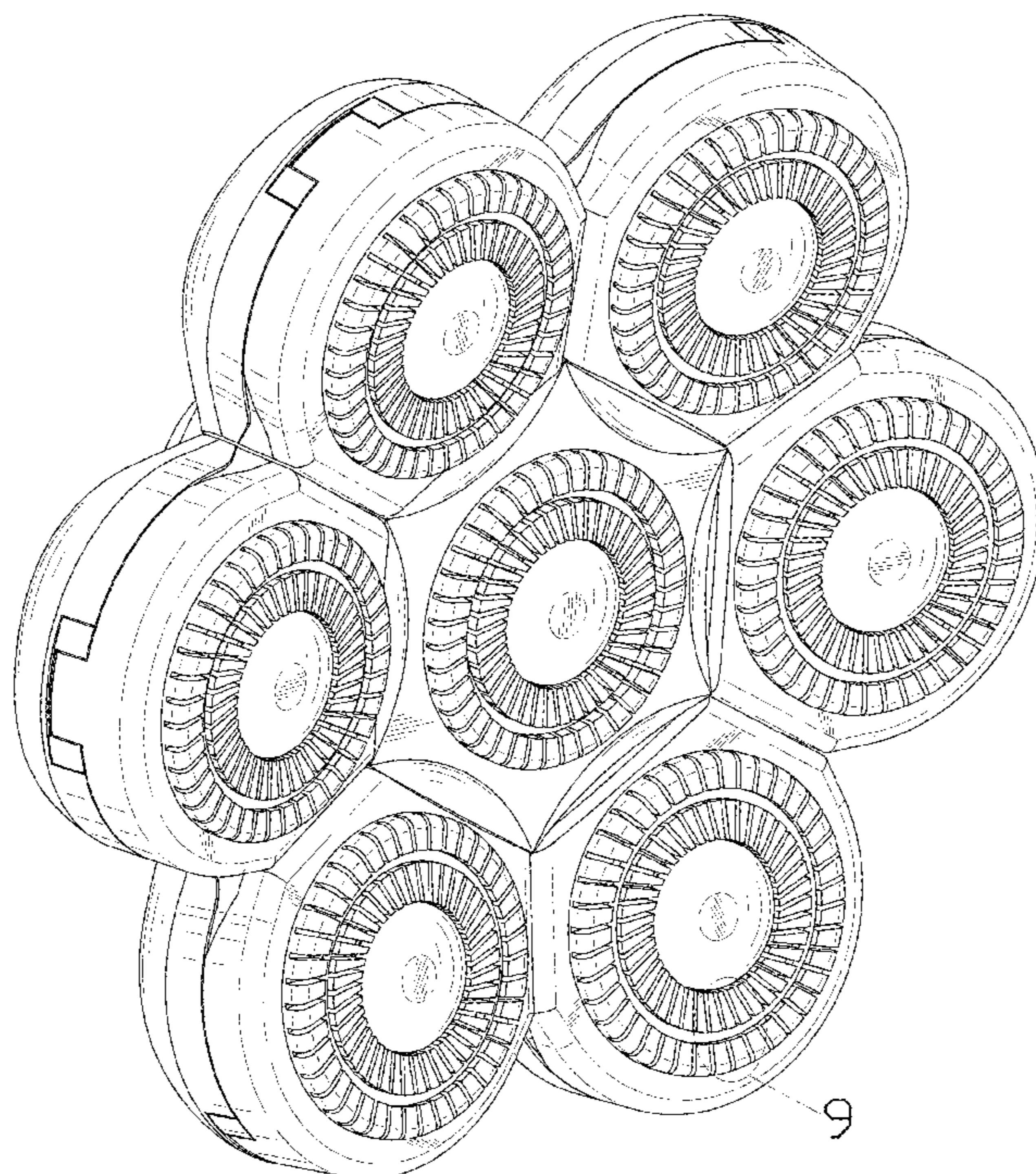
(57) **CLAIM**

The ornamental design for an electric shaver replacement head, as shown and described.

DESCRIPTION

FIG. 1 is a perspective view of an electric shaver replacement head showing my new design; FIG. 2 is another perspective view thereof; FIG. 3 is a front elevational view thereof; FIG. 4 is a rear elevational view thereof; FIG. 5 is a left side elevational view thereof; FIG. 6 is a right side elevational view thereof; FIG. 7 is a top plan view thereof; FIG. 8 is a bottom plan view thereof; and, FIG. 9 is an enlarged view of portion 9 shown in FIG. 1. The dash-dash broken lines in the drawings depict portions of the electric shaver replacement head that form no part of the claimed design. The dot-dash broken lines represent boundaries of the enlarged portion and form no part of the claimed design.

1 Claim, 9 Drawing Sheets



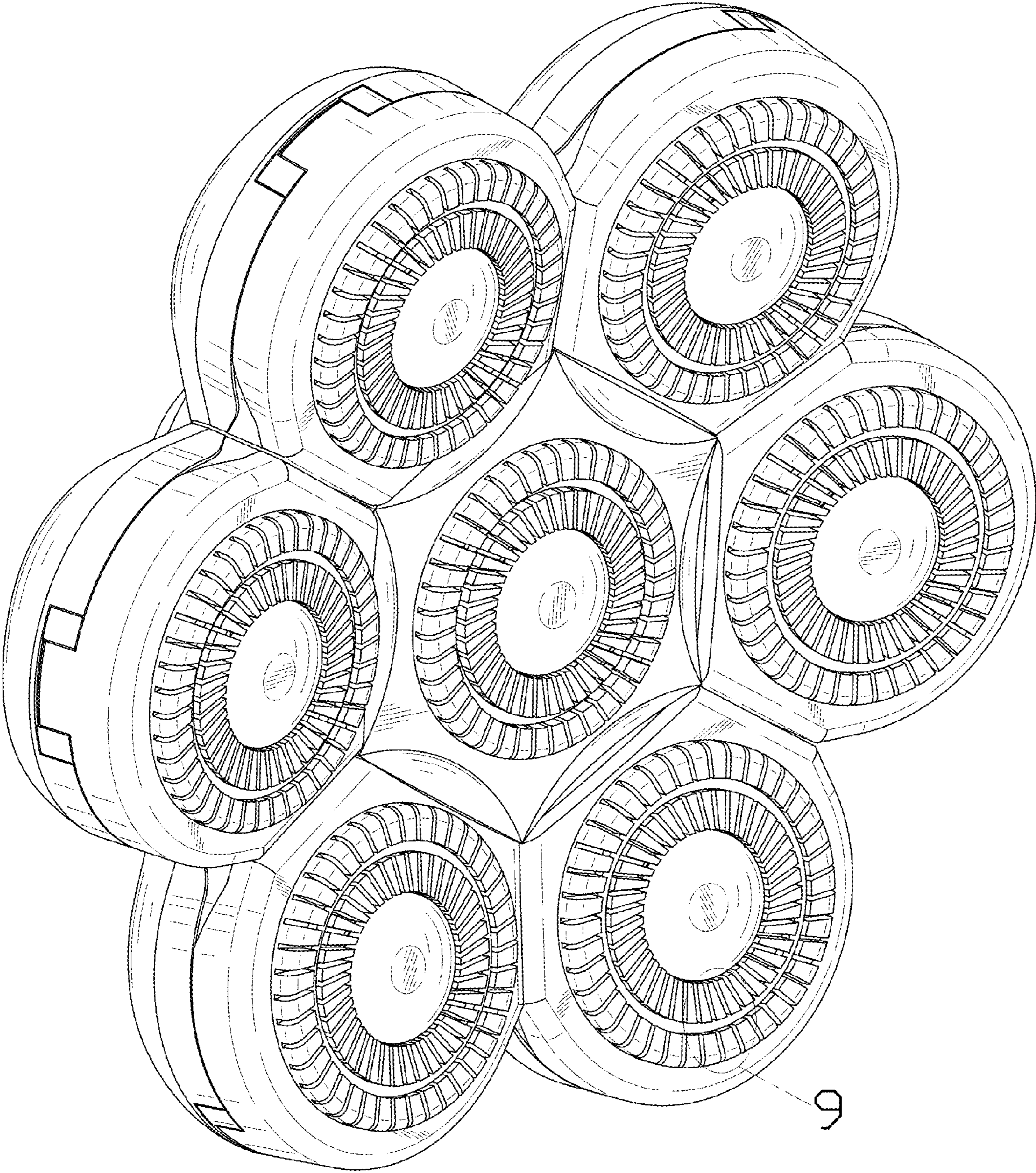


FIG. 1

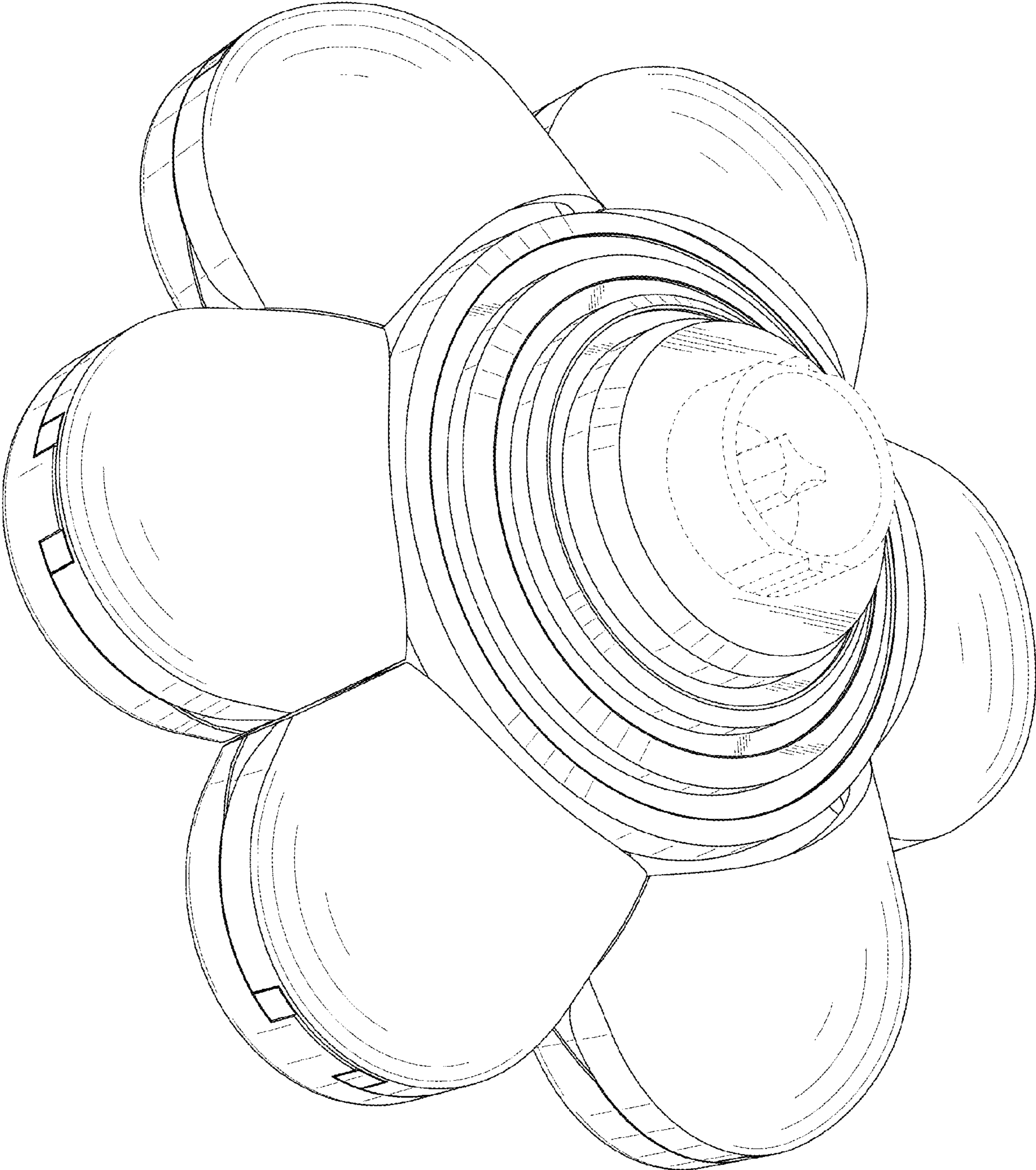


FIG. 2

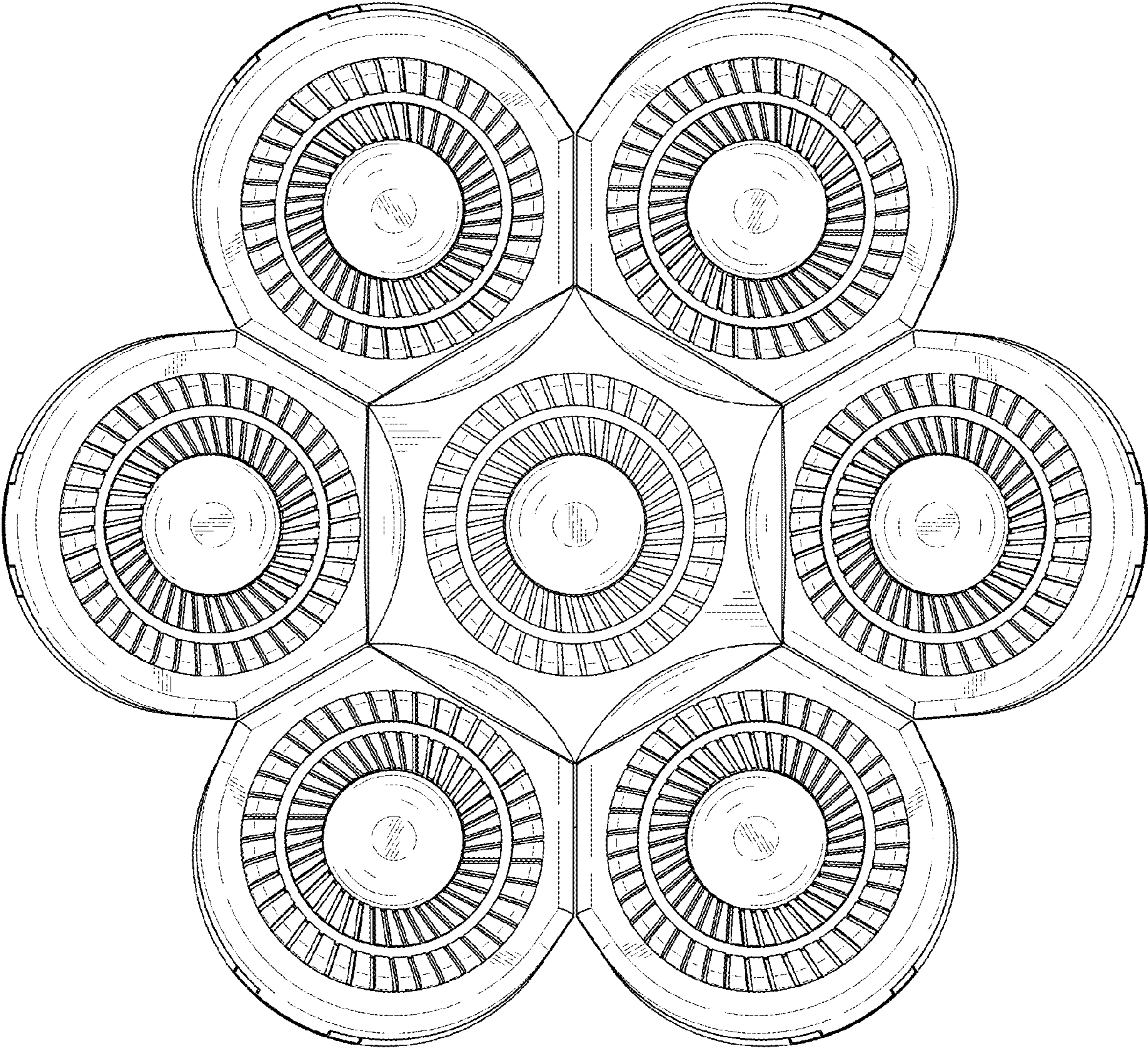


FIG. 3

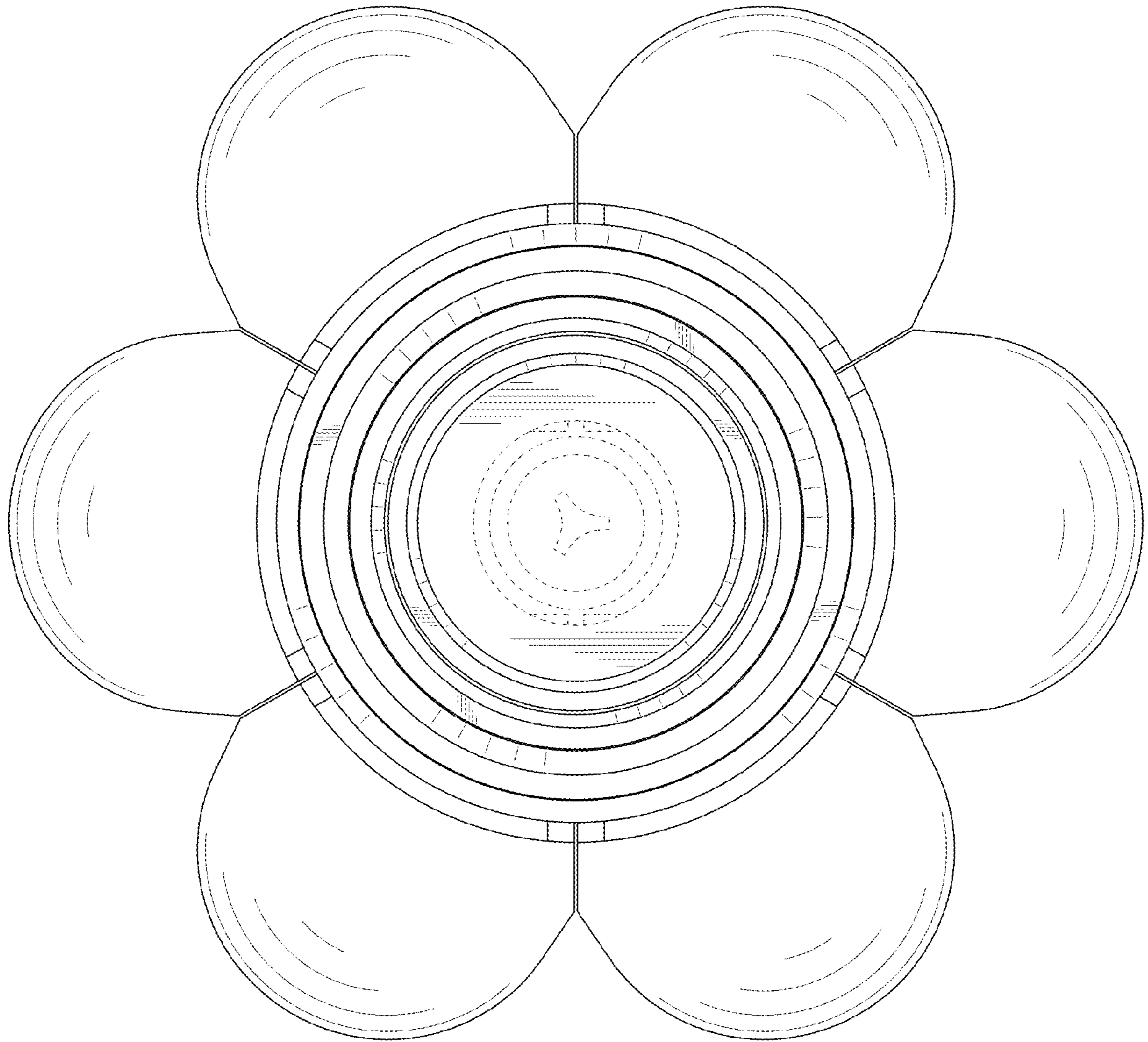


FIG. 4

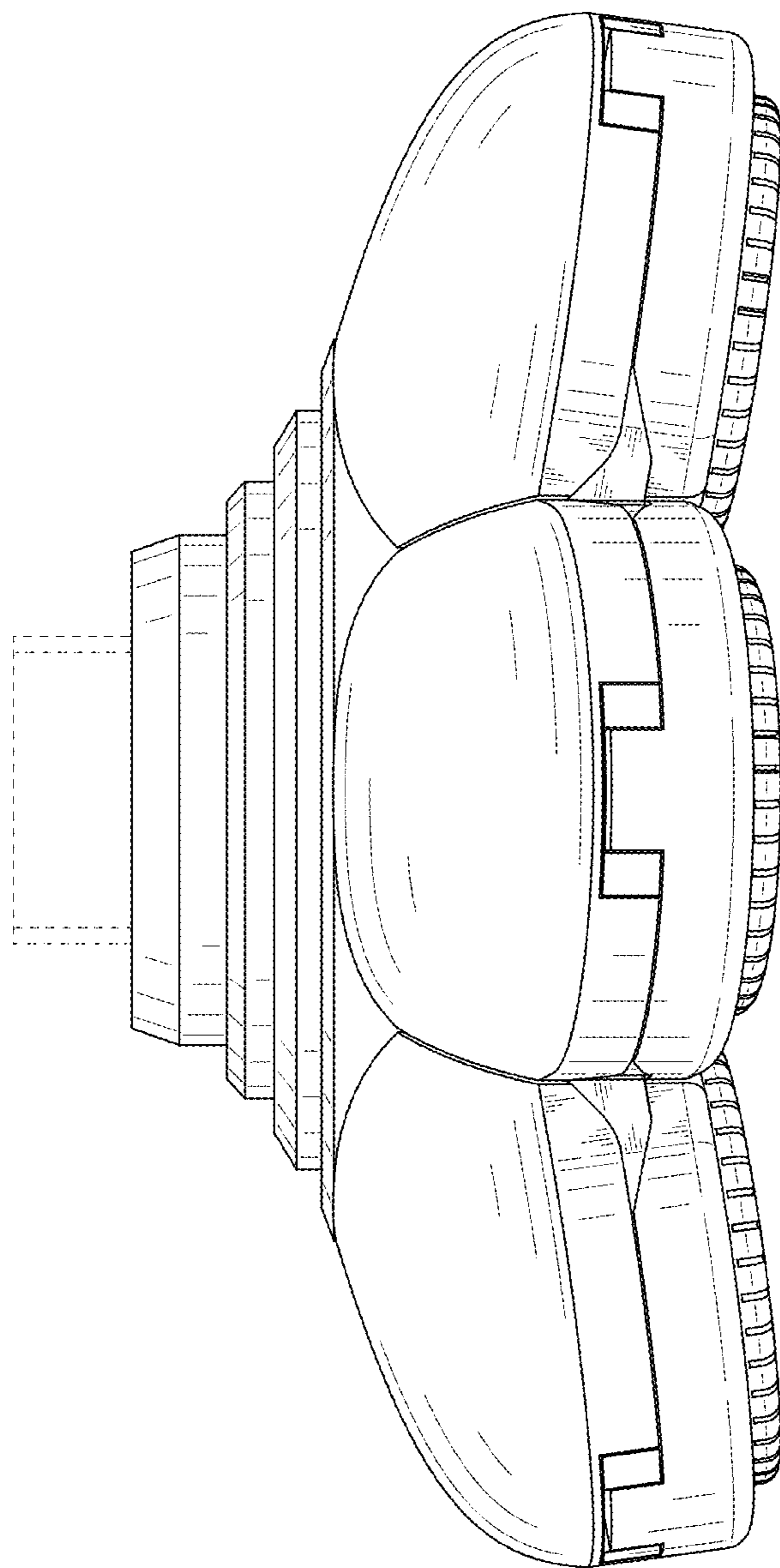


FIG. 5

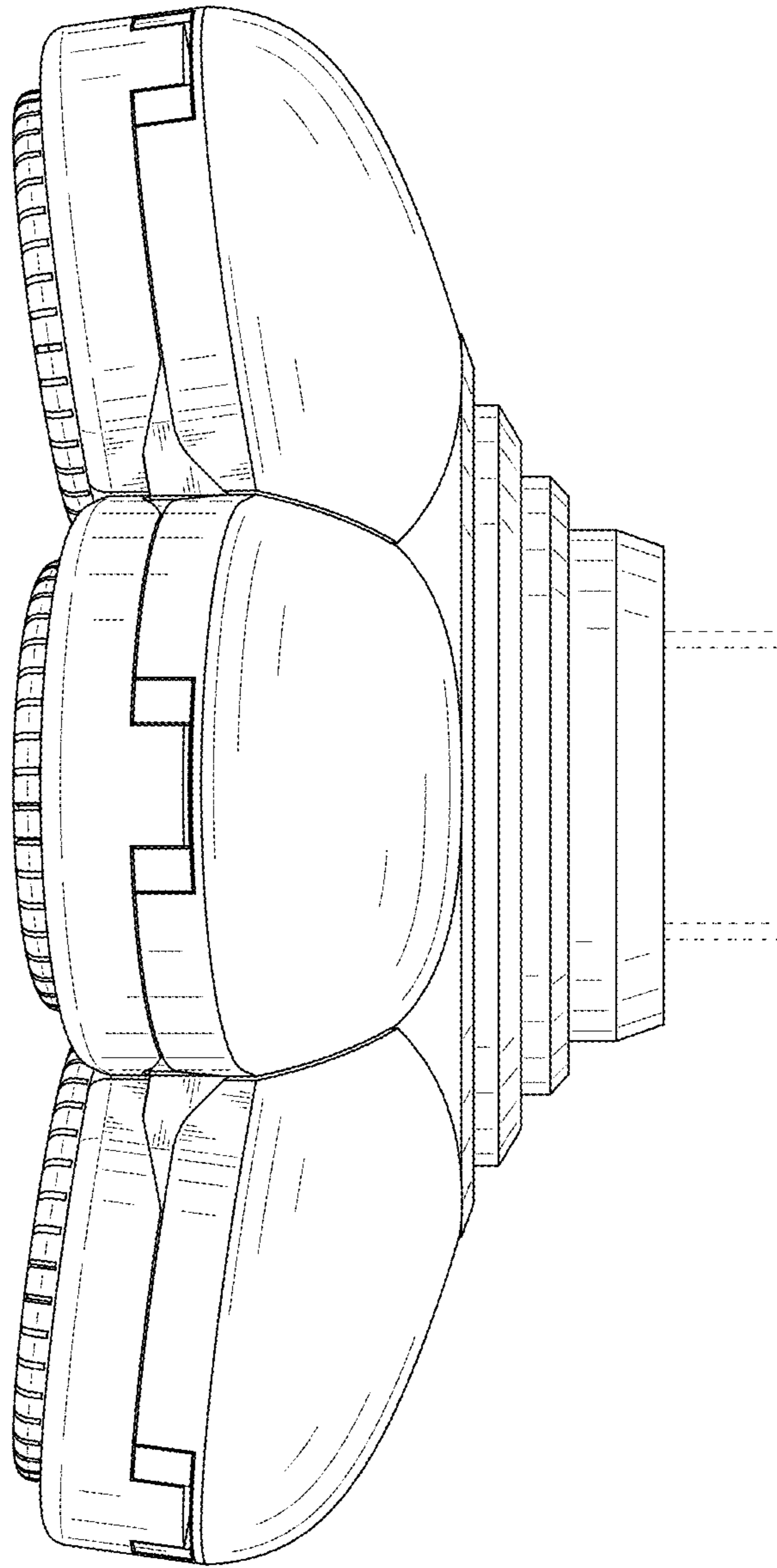


FIG. 6

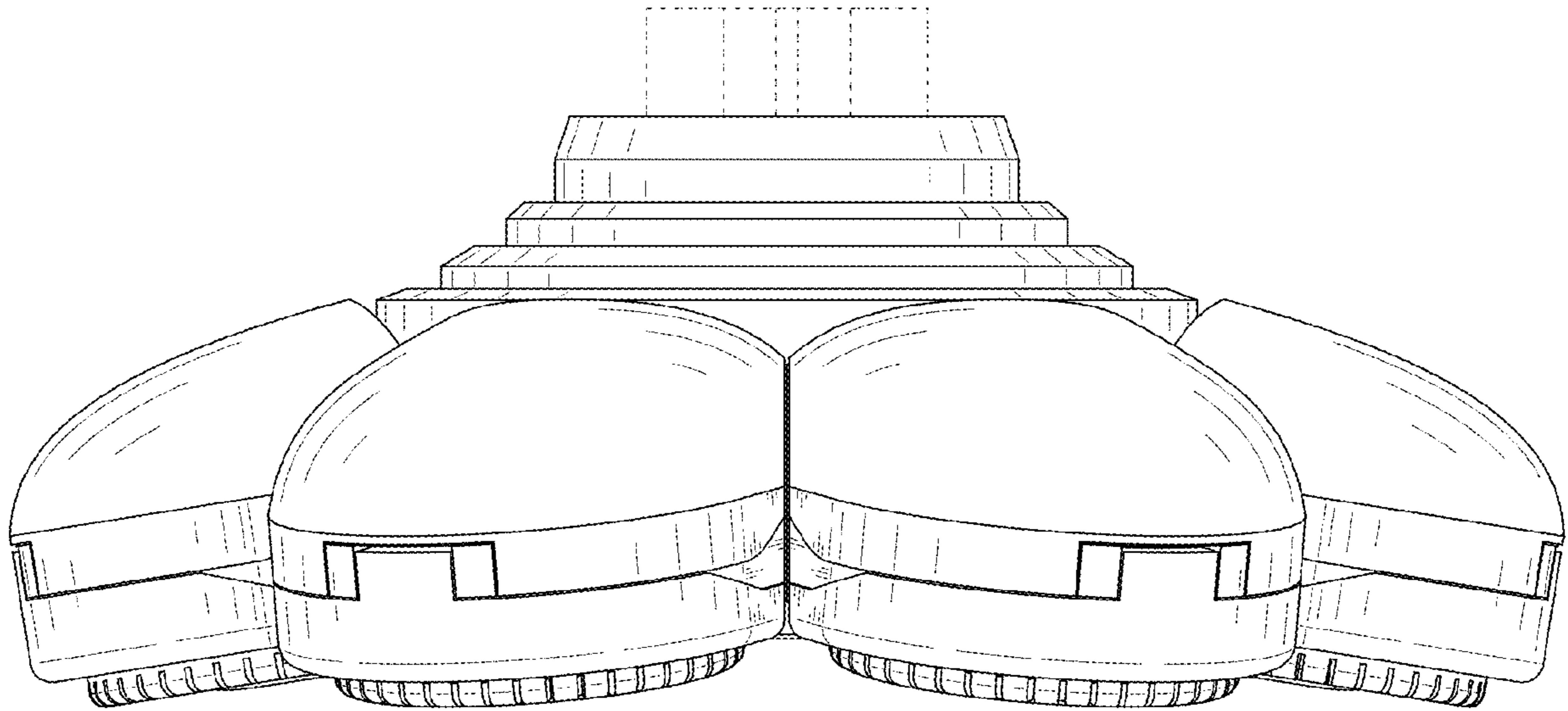


FIG. 7

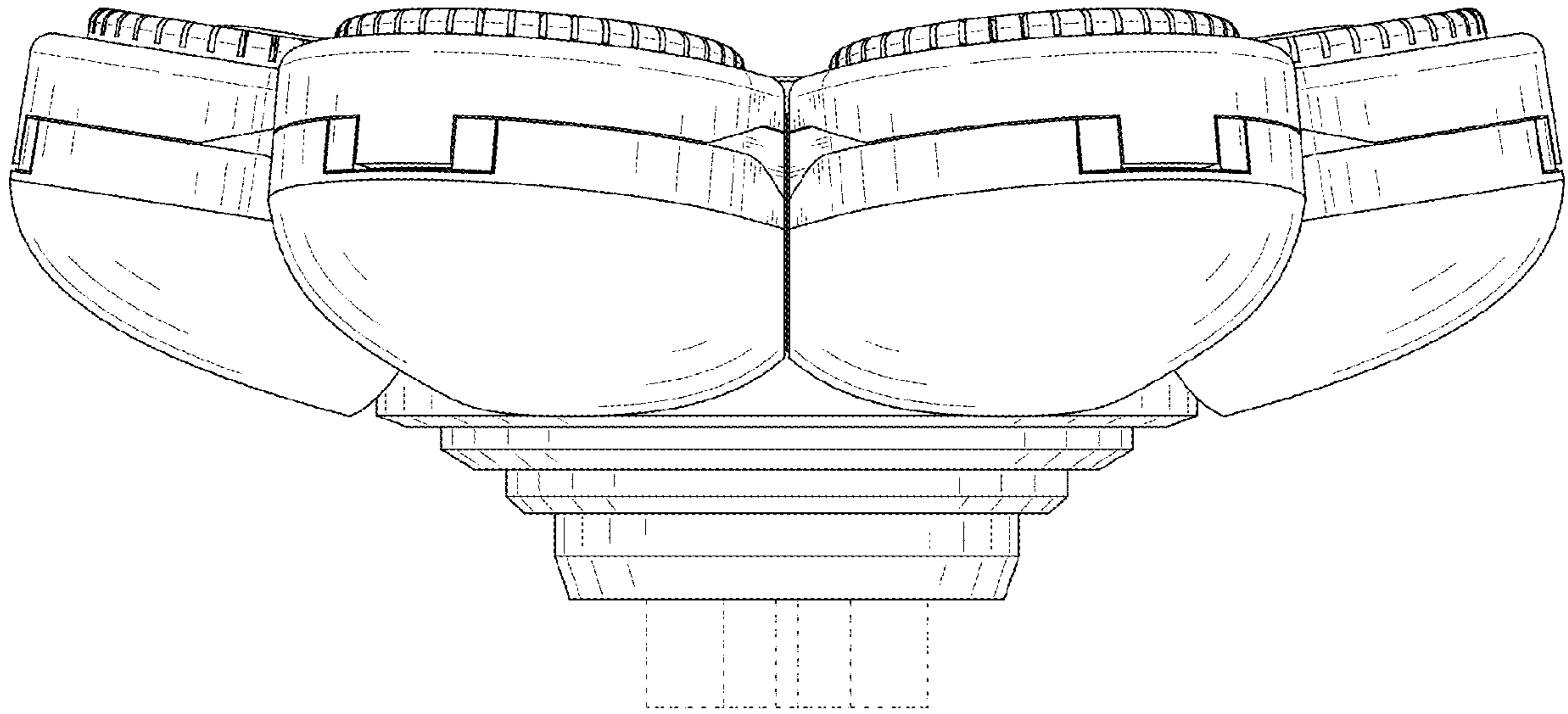


FIG. 8

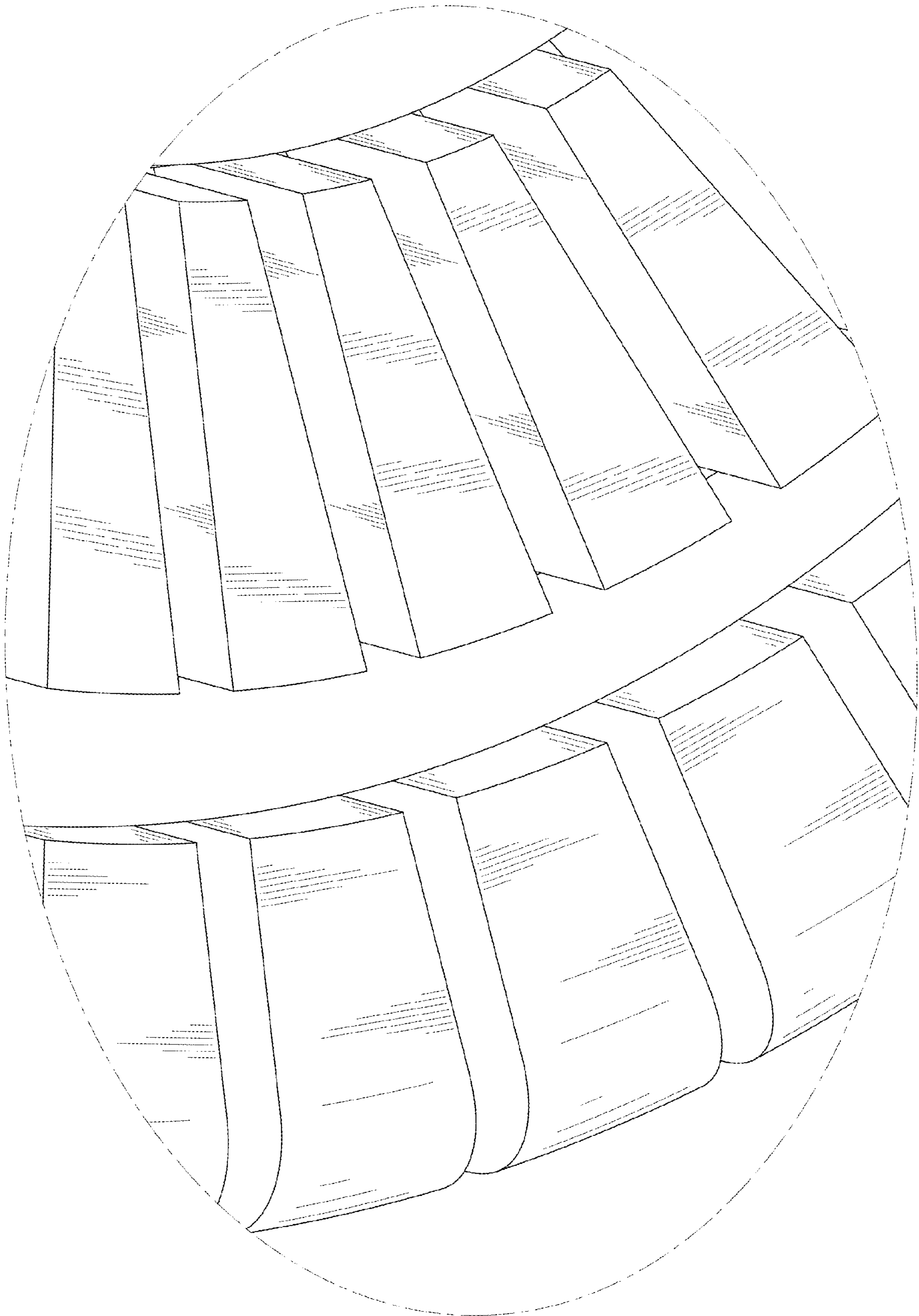


FIG. 9