



US00D961152S

(12) **United States Design Patent** (10) **Patent No.:** **US D961,152 S**  
**Bao** (45) **Date of Patent:** **\*\* Aug. 16, 2022**

(54) **TOBACCO TUBE FILLER DEVICE**

(71) Applicant: **Fan Bao**, Brea, CA (US)

(72) Inventor: **Fan Bao**, Brea, CA (US)

(\*\*) Term: **15 Years**

(21) Appl. No.: **29/741,466**

(22) Filed: **Jul. 13, 2020**

(51) **LOC (13) Cl.** ..... **27-99**

(52) **U.S. Cl.**

USPC ..... **D27/194**

(58) **Field of Classification Search**

USPC ..... D27/194, 100, 184, 187, 180, 181, 183,  
D27/193, 163, 172; D18/58, 34.3

CPC .. A24C 5/002; A24C 5/40; A24C 5/42; A24C  
5/46; A24C 5/465; A24C 5/00; A24C  
5/02; A24C 5/10

See application file for complete search history.

(56) **References Cited**

**U.S. PATENT DOCUMENTS**

D613,033	S	*	4/2010	Lin	.....	D27/194
D659,901	S	*	5/2012	Lin	.....	D27/194
D665,126	S	*	8/2012	Lin	.....	D27/194
D692,616	S	*	10/2013	Patel	.....	D27/194
D700,399	S	*	2/2014	Lin	.....	D27/194
9,179,705	B2	*	11/2015	Yang	.....	A24C 5/39
D769,521	S	*	10/2016	Lin	.....	D27/194
9,949,503	B2	*	4/2018	Lin	.....	A24C 5/02
D881,464	S	*	4/2020	Lin	.....	D27/194

D902,479	S	*	11/2020	Liu	.....	D27/184
2013/0152952	A1	*	6/2013	Bao	.....	A24C 5/42 131/70
2014/0202471	A1	*	7/2014	Bao	.....	A24C 5/42 131/108

**OTHER PUBLICATIONS**

Powermatic Mini Cig Injector By: Powermatic found on ebay Aug. 20, 2021 <https://www.ebay.com/itm/322359790362>.\*

\* cited by examiner

*Primary Examiner* — Rebecca Tsehaye

(74) *Attorney, Agent, or Firm* — One LLP

(57) **CLAIM**

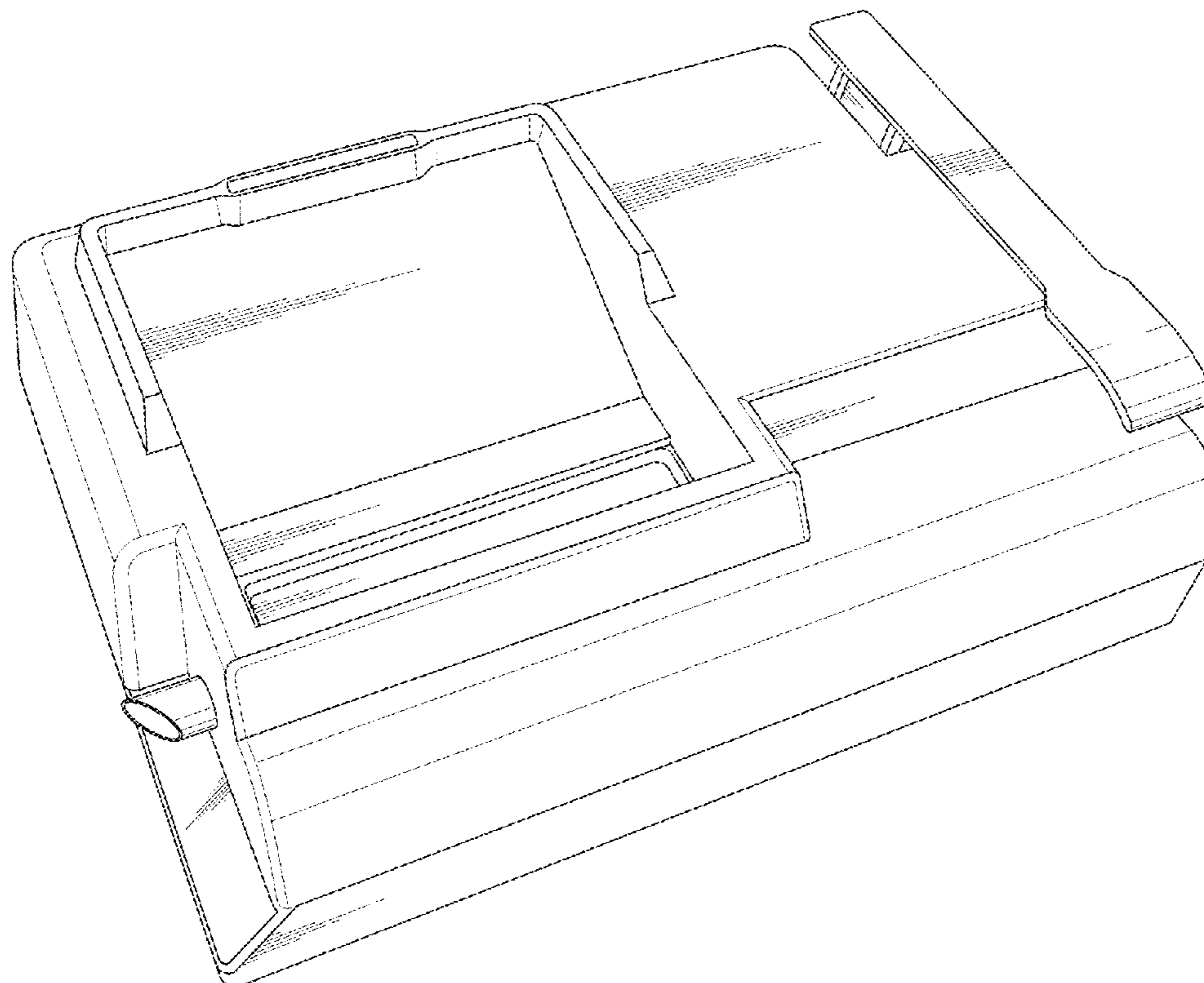
The ornamental design for a tobacco tube filler device, as shown and described.

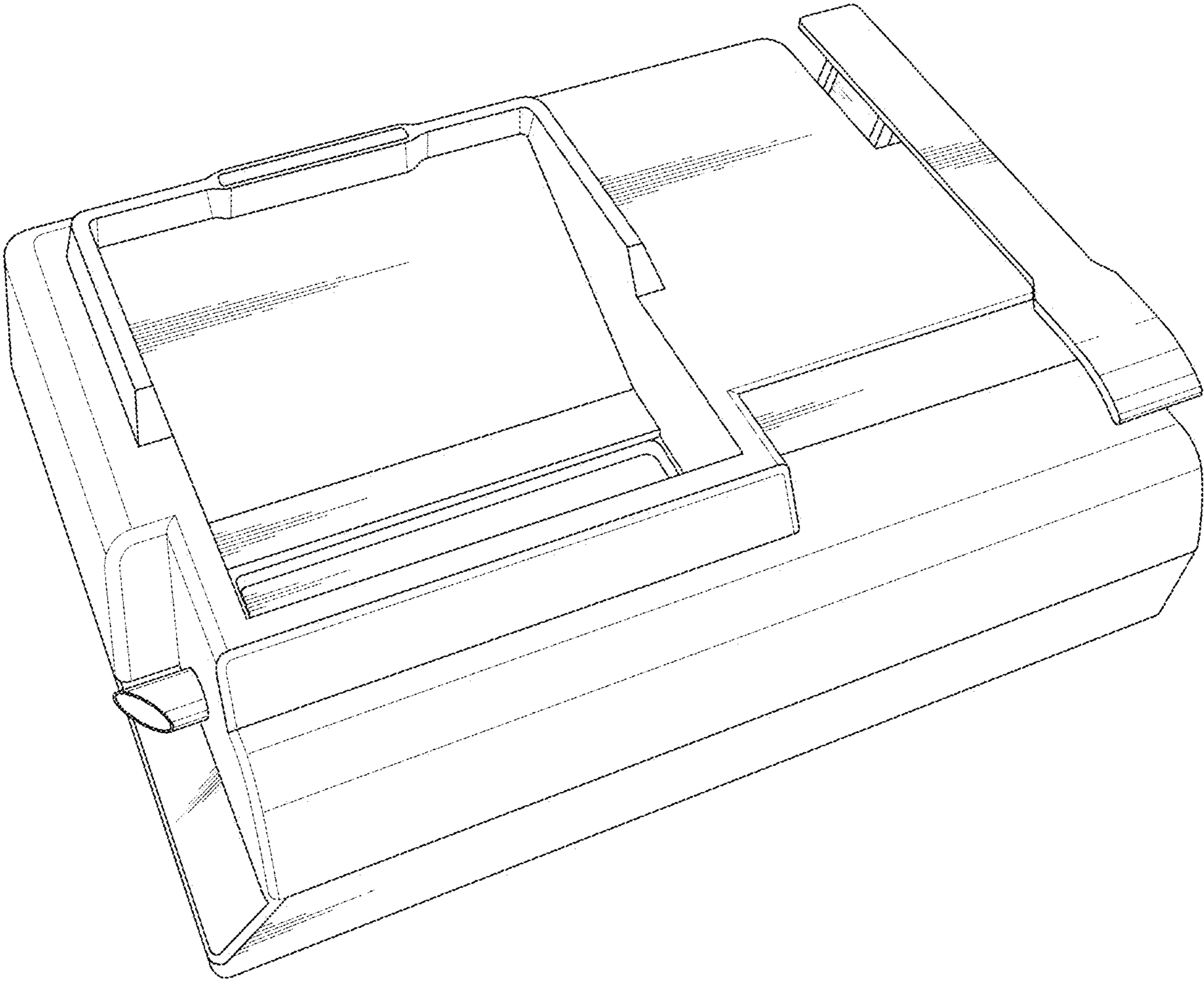
**DESCRIPTION**

FIG. 1 is a perspective front view of a tobacco tube filler device, according to an embodiment; FIG. 2 is a top view thereof; FIG. 3 is a front elevational view thereof; FIG. 4 is a rear elevational view thereof; FIG. 5 is a left side elevational view thereof; FIG. 6 is a right side elevational view thereof; and, FIG. 7 is a bottom plan view thereof.

The broken lines in the drawings depict portions of the tobacco tube filler device that form no part of the claimed design.

**1 Claim, 5 Drawing Sheets**





**FIG. 1**

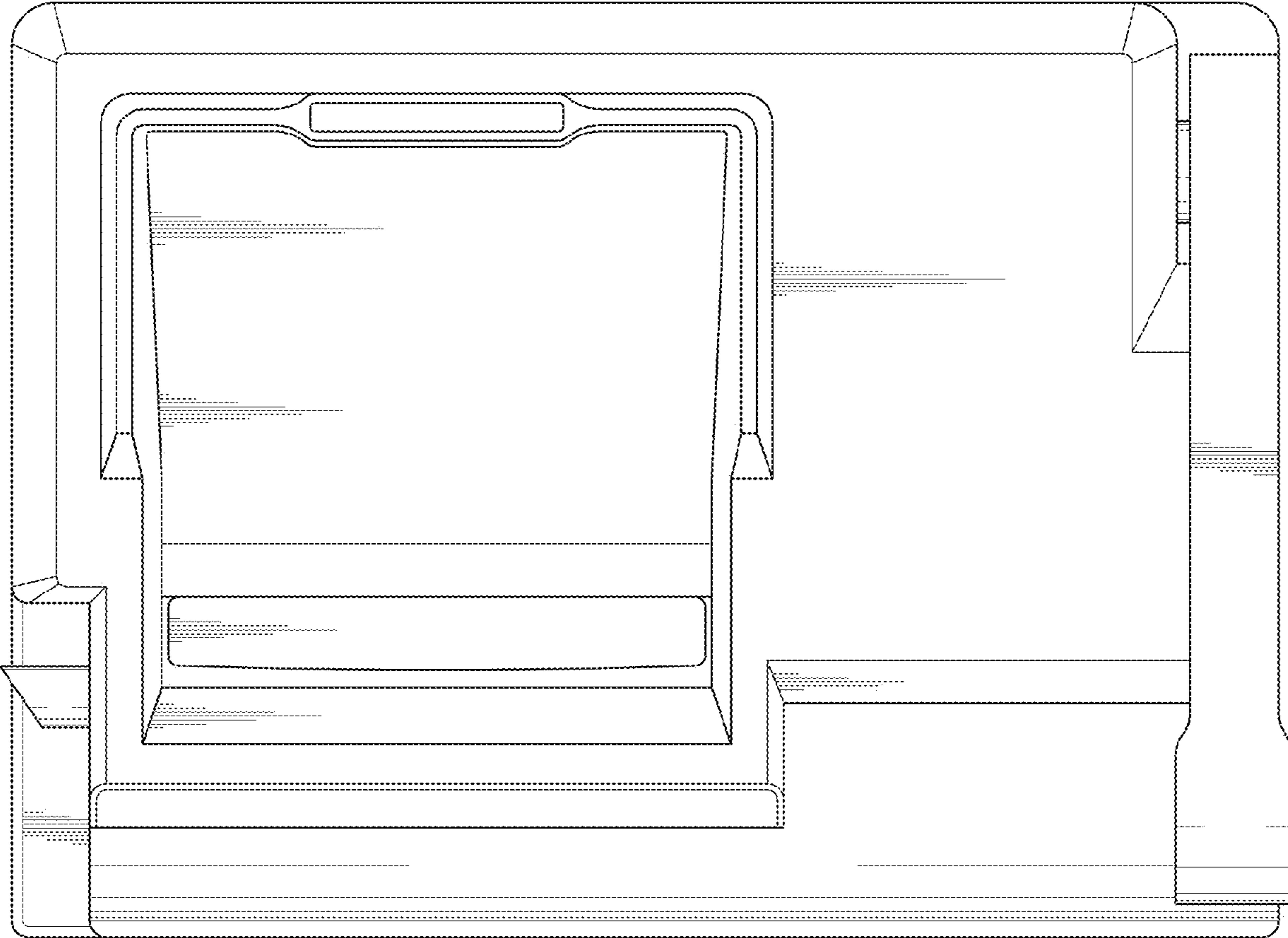
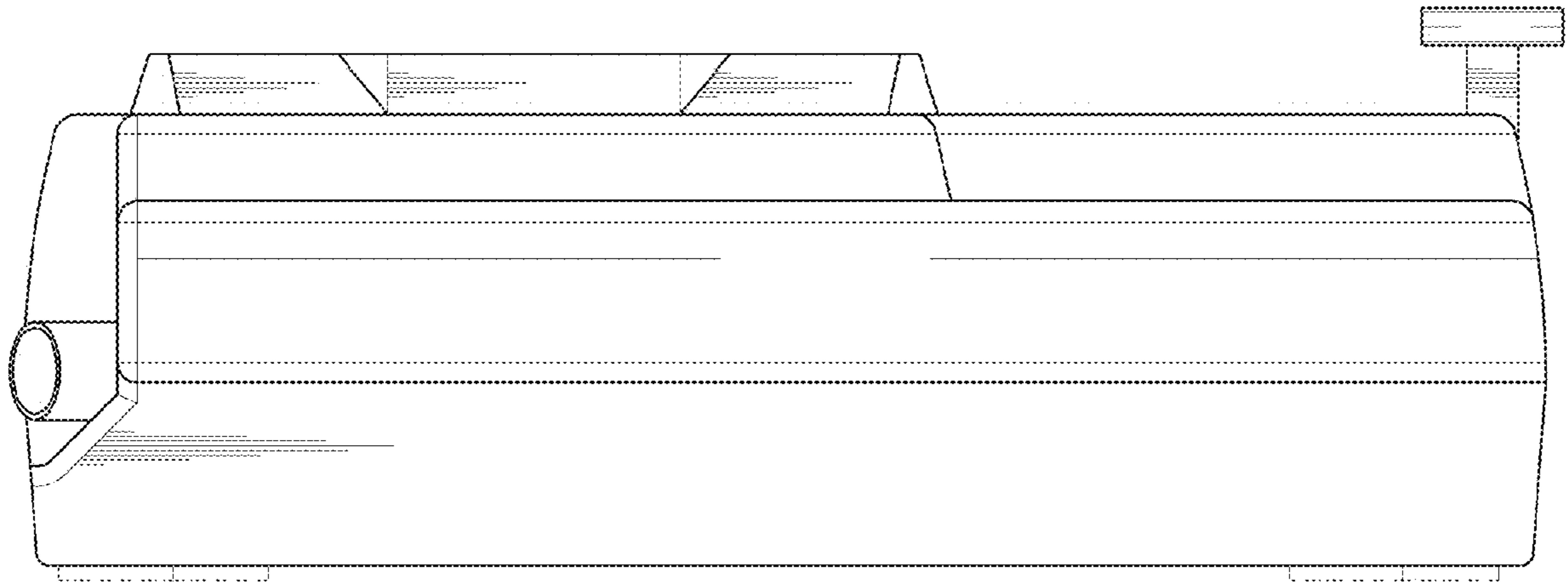
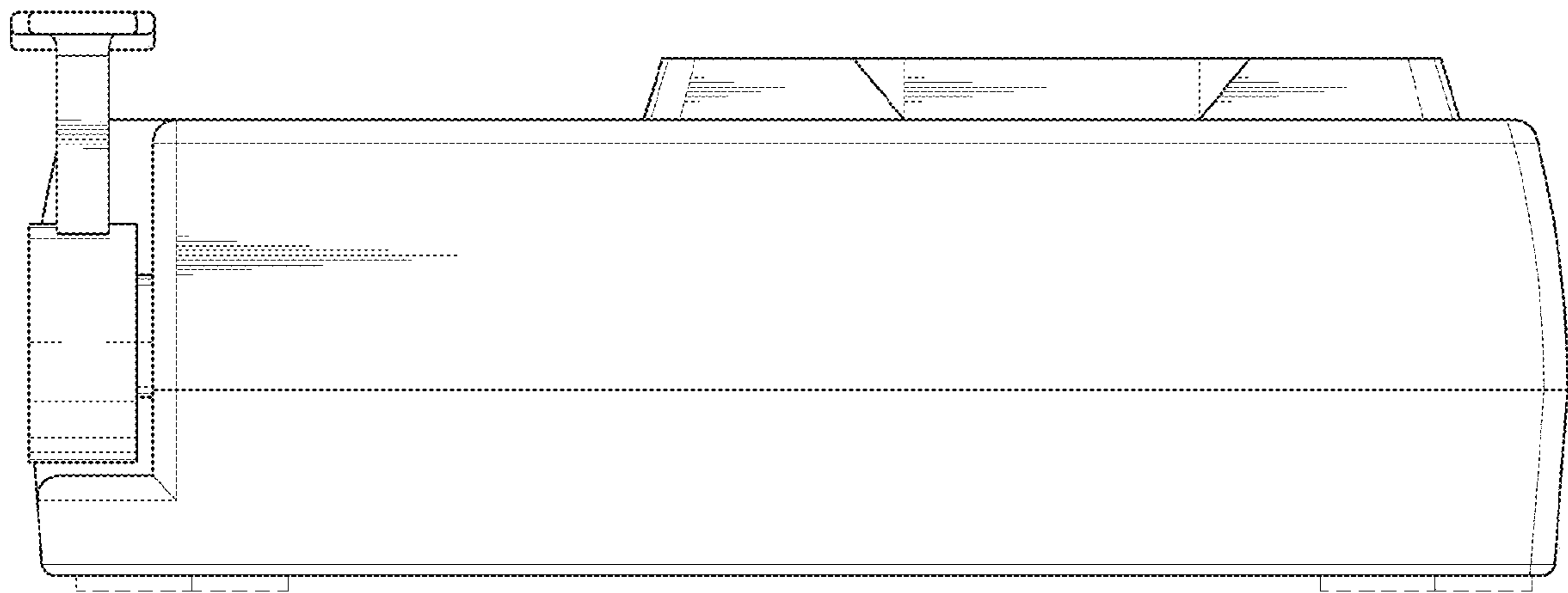


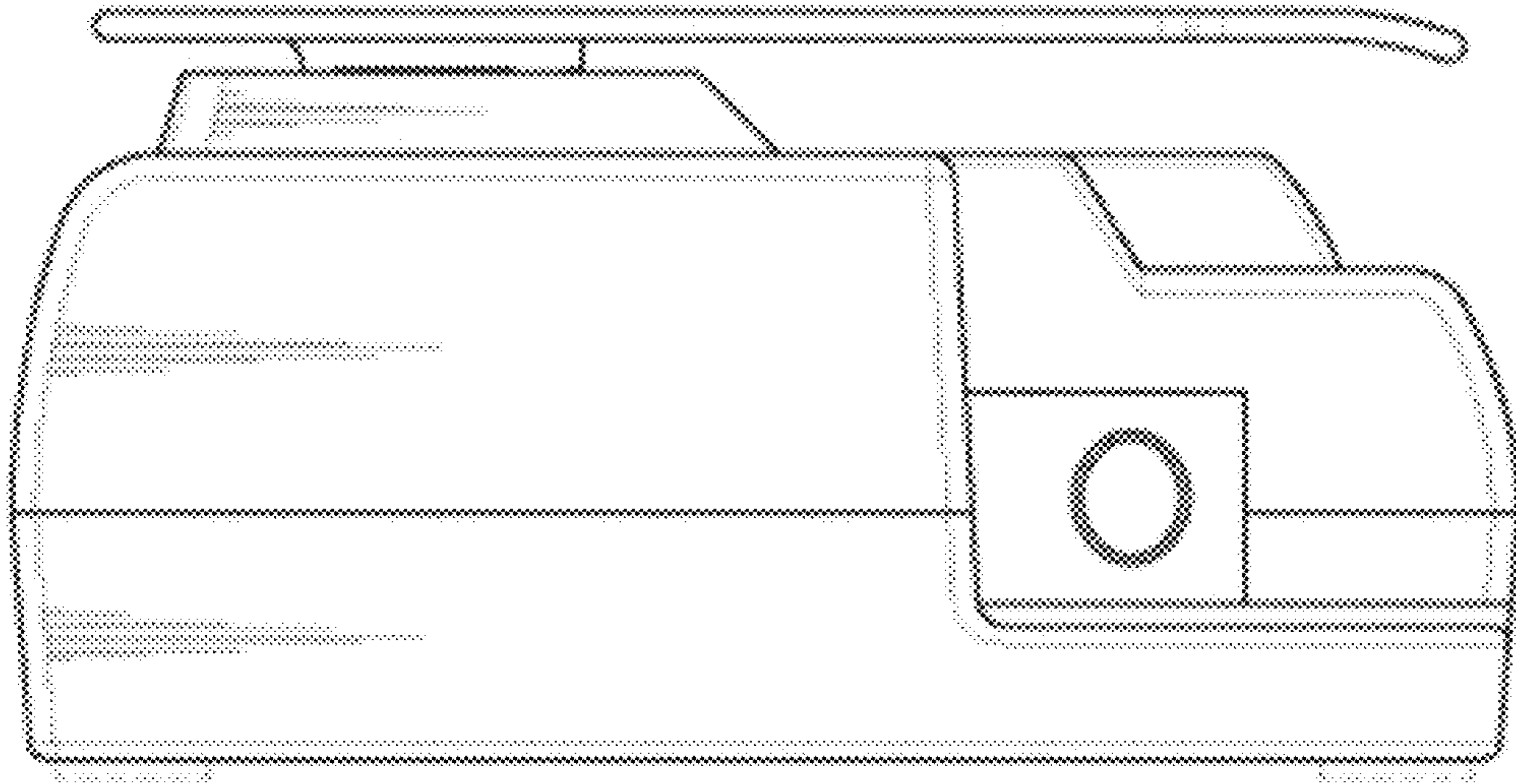
FIG. 2



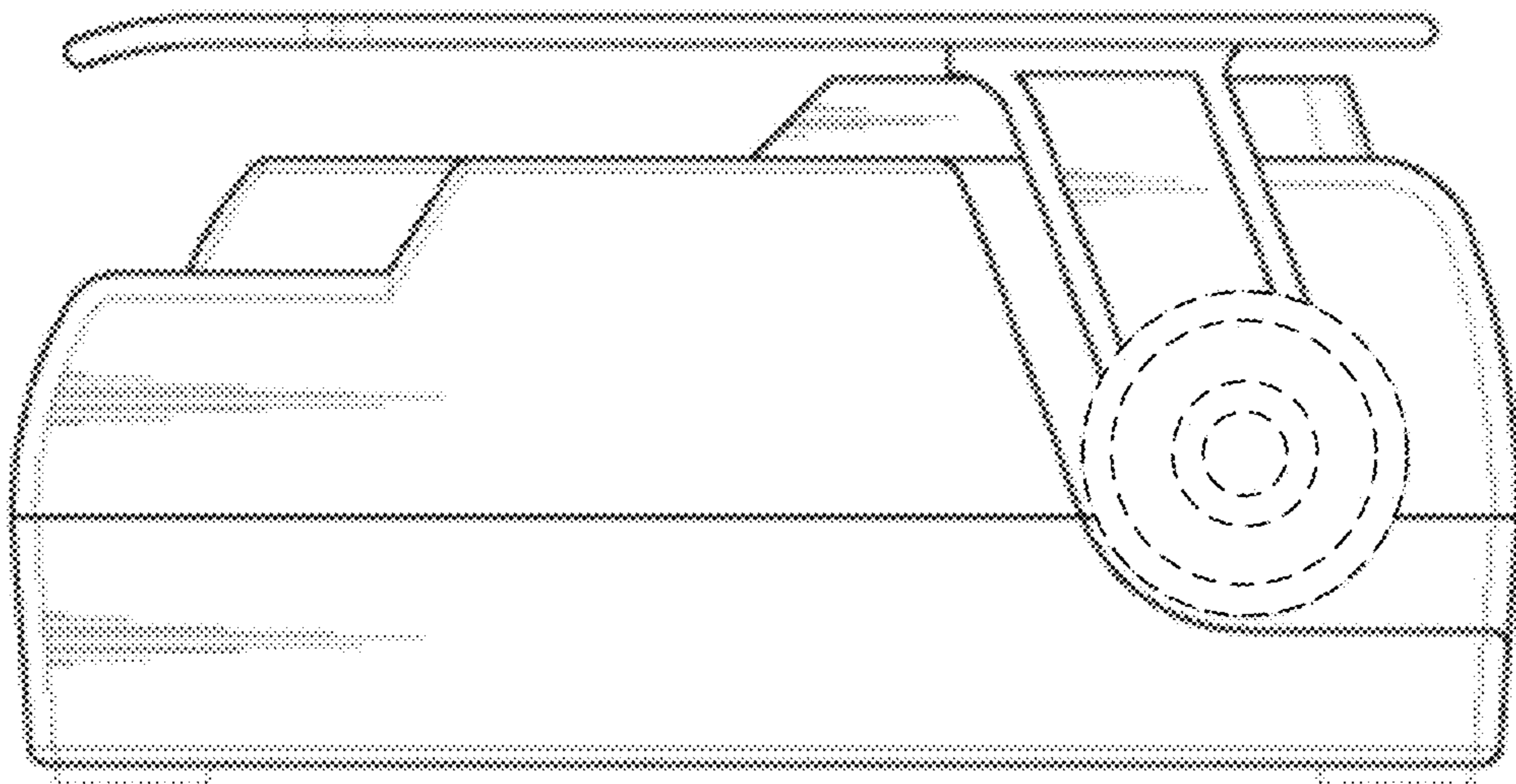
**FIG. 3**



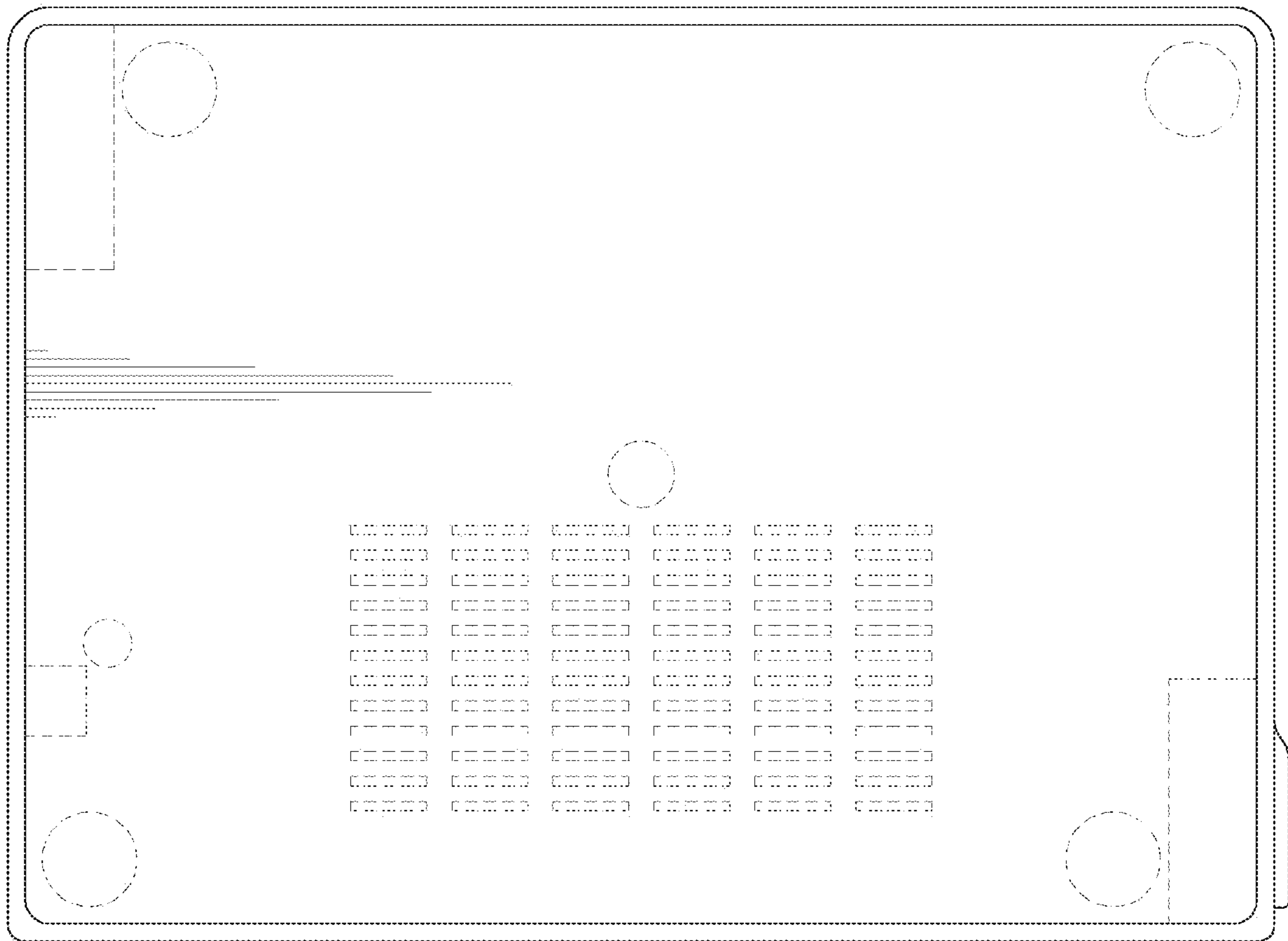
**FIG. 4**



**FIG. 5**



**FIG. 6**



**FIG. 7**