



US00D961151S

(12) **United States Design Patent**  
**Cleveland**

(10) **Patent No.:** **US D961,151 S**

(45) **Date of Patent:** **\*\* Aug. 16, 2022**

(54) **SMOKING PIPE**

(71) Applicant: **Grant Cleveland**, Hallandale, FL (US)

(72) Inventor: **Grant Cleveland**, Hallandale, FL (US)

(\*\*) Term: **15 Years**

(21) Appl. No.: **29/757,014**

(22) Filed: **Nov. 2, 2020**

(51) **LOC (13) Cl.** ..... **27-02**

(52) **U.S. Cl.**  
USPC ..... **D27/163**

(58) **Field of Classification Search**  
USPC ..... D27/162, 100, 101, 163, 165, 167-169,  
D27/170, 171, 172, 180, 182, 183, 193,  
D27/194; D24/110, 110.5  
CPC ..... A24F 47/00; A24F 47/002; A24F 1/00;  
A24F 1/10; A24F 1/06; A24F 1/08;  
A61M 15/06  
See application file for complete search history.

(56) **References Cited**

**U.S. PATENT DOCUMENTS**

D243,257 S *	2/1977	Segal	.....	D27/163
D243,258 S *	2/1977	Segal	.....	D27/163
D243,347 S *	2/1977	Segal	.....	D27/163
D246,604 S *	12/1977	Frost	.....	D27/163
D304,625 S *	11/1989	Katayama	.....	D27/163
D436,686 S *	1/2001	Fujisawa	.....	D27/163
D582,094 S *	12/2008	Lee	.....	D27/163
D642,733 S *	8/2011	Sweitzer	.....	D27/162
D743,098 S *	11/2015	Hehir	.....	D27/163

D754,918 S *	4/2016	Jergenson	.....	D27/163
D820,513 S *	6/2018	Camitta	.....	D27/162
D825,101 S *	8/2018	Hoch	.....	D27/162
D866,063 S *	11/2019	Kowsky	.....	D27/163
D909,671 S *	2/2021	Hoch	.....	D27/162

**OTHER PUBLICATIONS**

Handmade Tobacco Smoking Pipe By: Mr. Bong found on line (Feb. 25, 2022) Formax420 80mm Length Metal Smoking Pipe Straight Pipe for Tobacco Hand Pocket Herb Smoking Accessories Silver Color (Jan. 22, 2019).\*

\* cited by examiner

*Primary Examiner* — Rebecca Tsehaye  
(74) *Attorney, Agent, or Firm* — Mark Terry

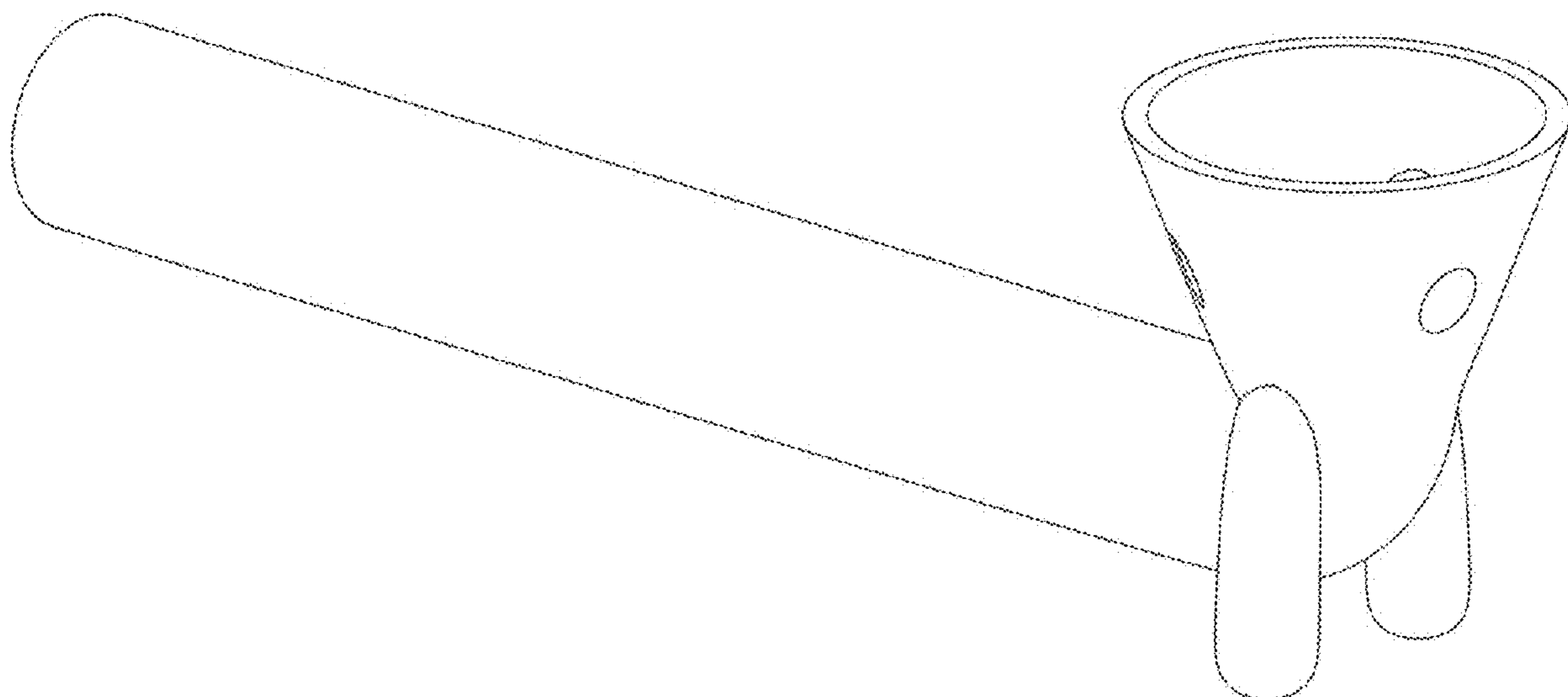
(57) **CLAIM**

The ornamental design for a smoking pipe, as shown and described.

**DESCRIPTION**

FIG. 1 is a top perspective view of the smoking pipe, showing the new design;  
FIG. 2 is a front perspective view thereof;  
FIG. 3 is a top cross-sectional view thereof taken from cut lines of 3-3 of FIG. 8;  
FIG. 4 is a side view thereof;  
FIG. 5 is an enlarged front cross-sectional view thereof taken from cut line of 5-5 on FIG. 8;  
FIG. 6 is a rear view thereof;  
FIG. 7 is a front view thereof;  
FIG. 8 is a top view thereof; and,  
FIG. 9 is a top cross-sectional view thereof taken from cut line 9-9 on FIG. 7.

**1 Claim, 9 Drawing Sheets**



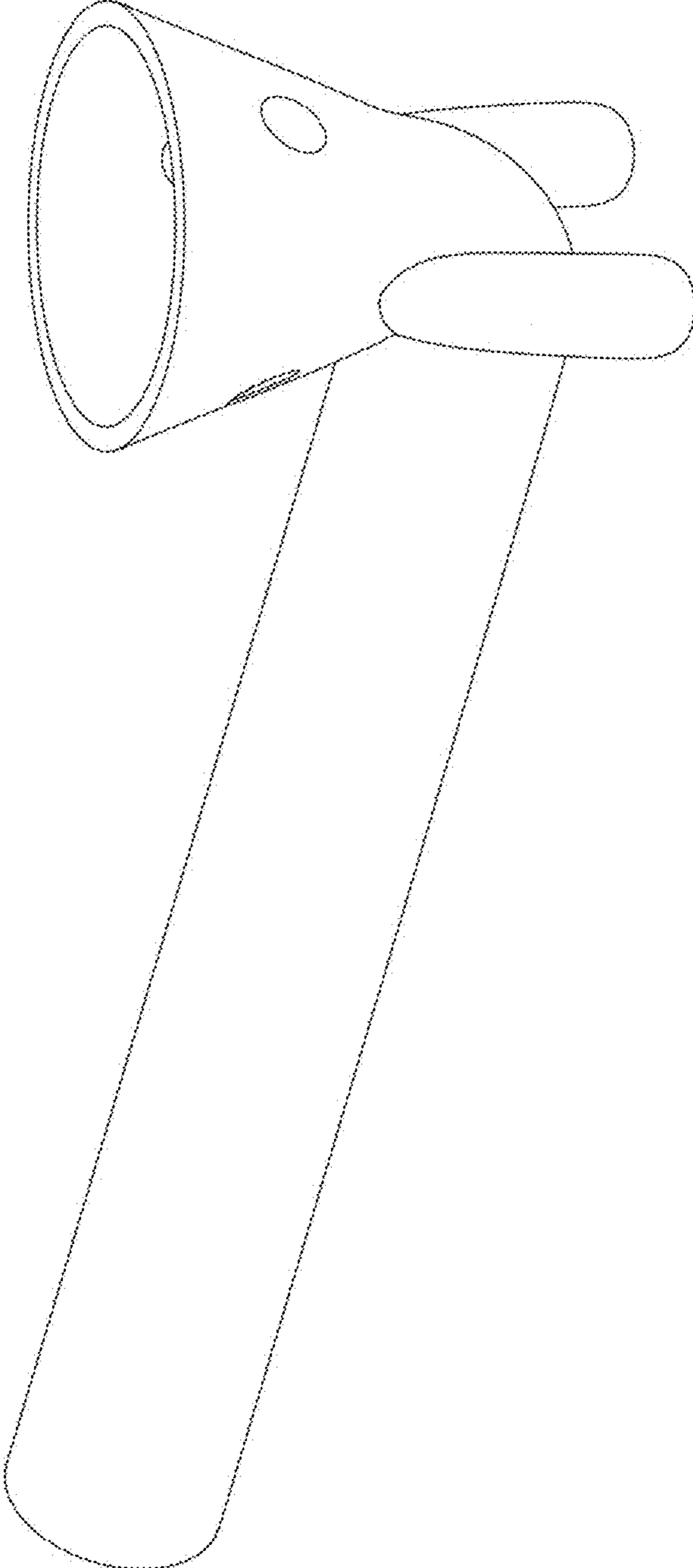


Figure - 1

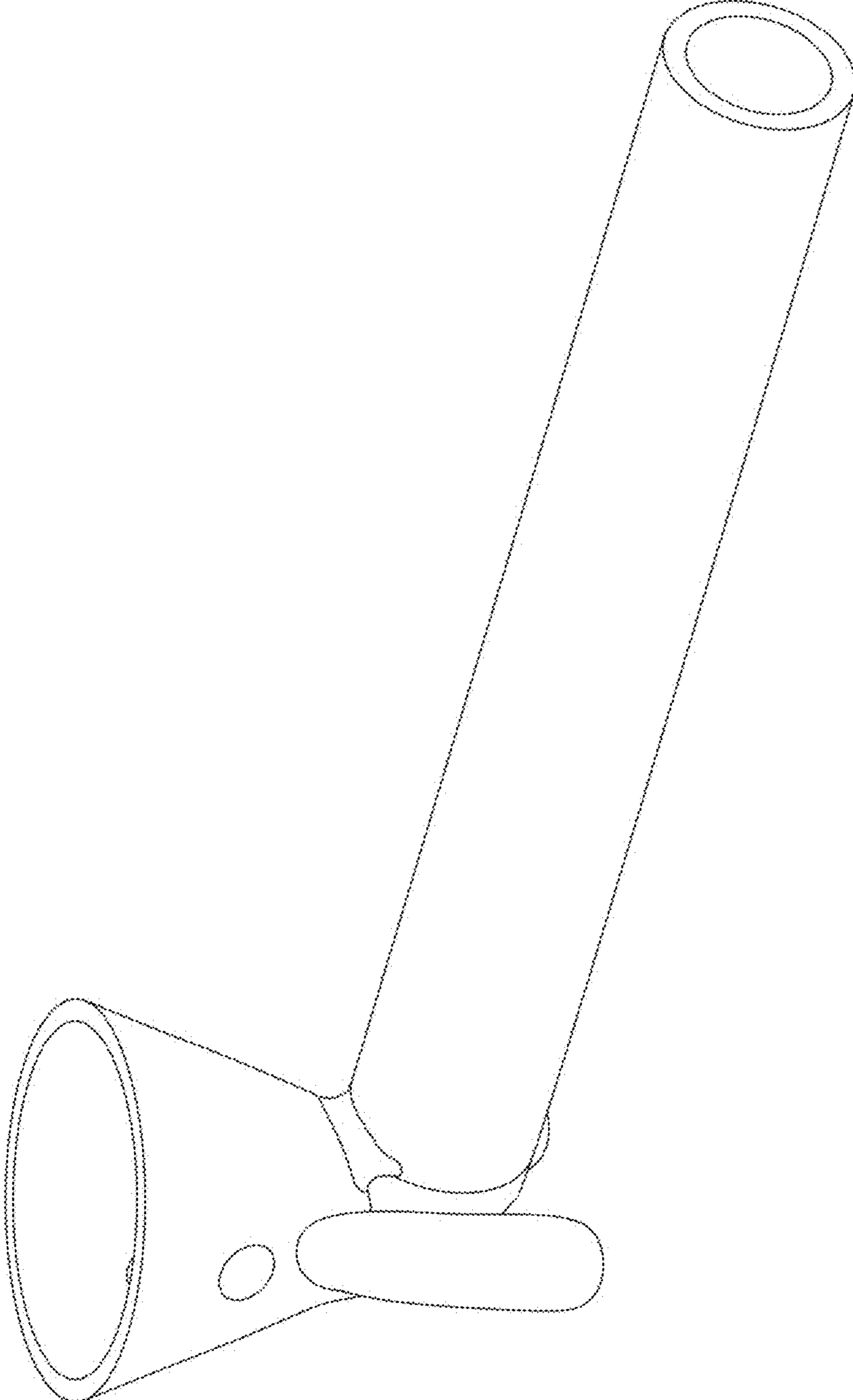


Figure - 2

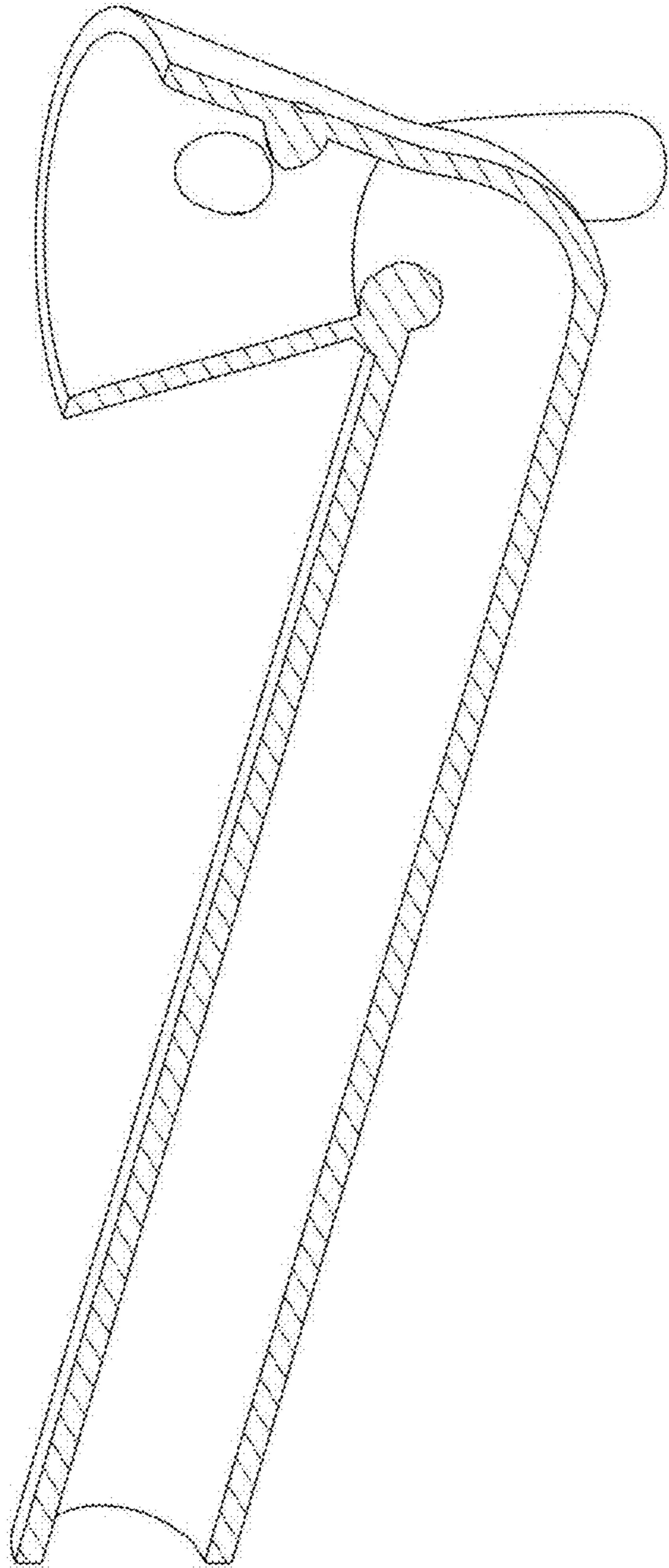


Figure - 3

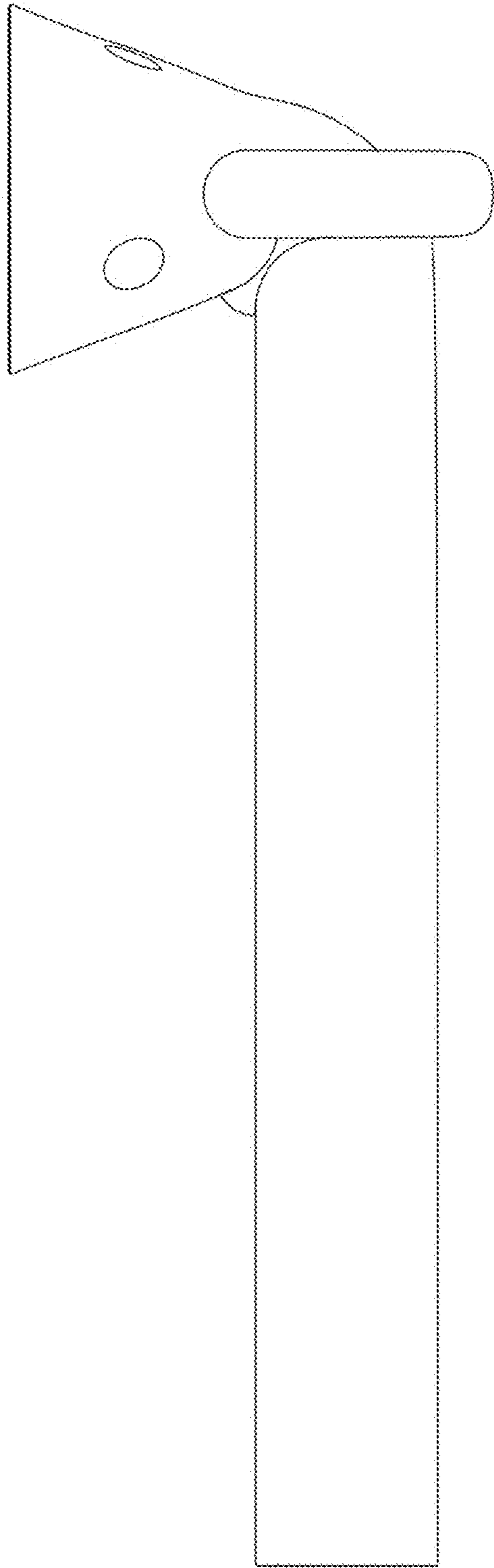


Figure - 4

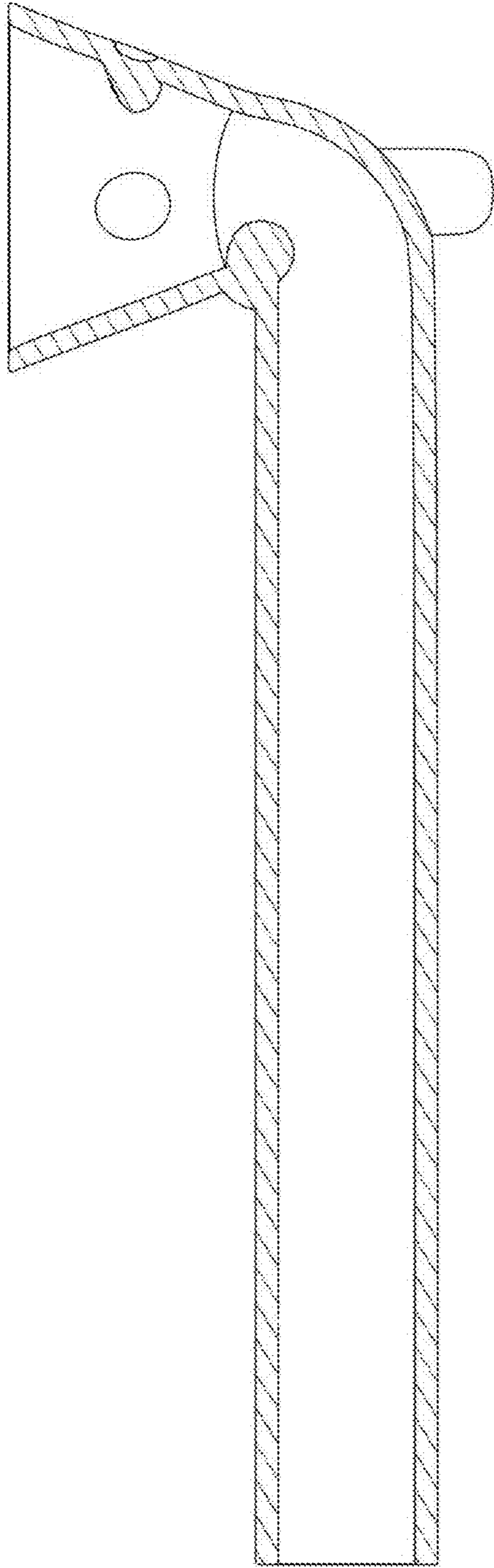


Figure - 5

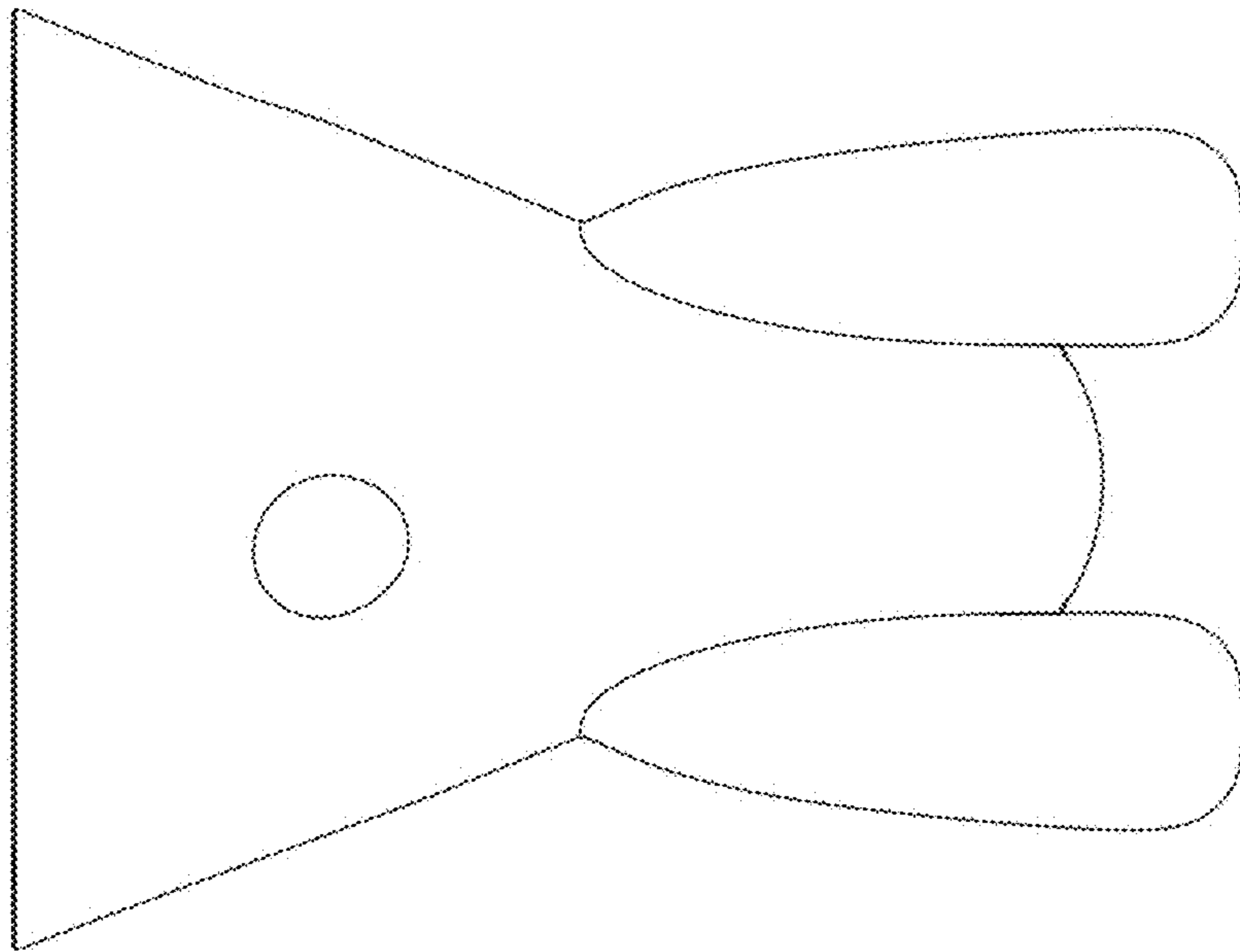


Figure - 6



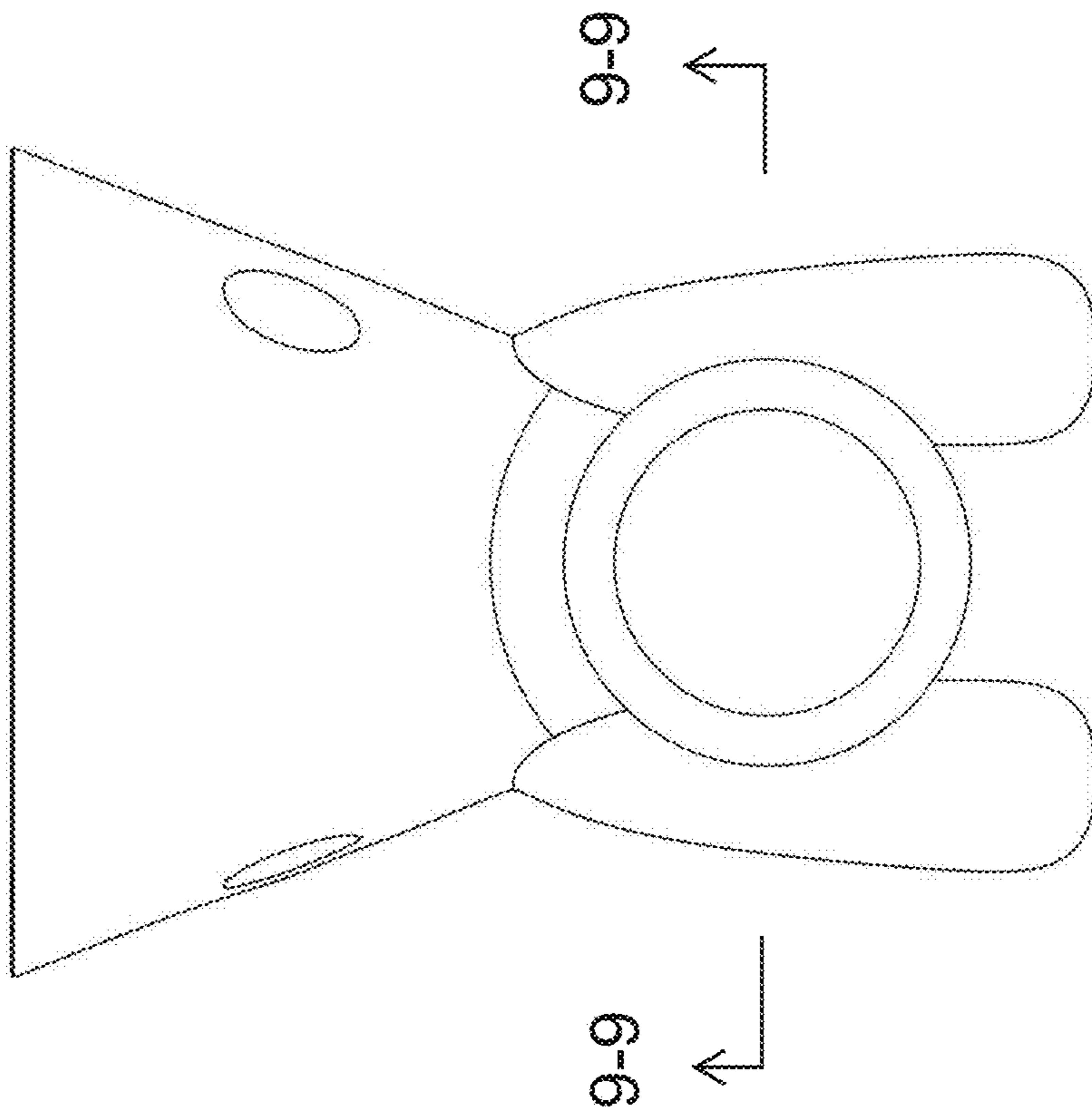


Figure - 7



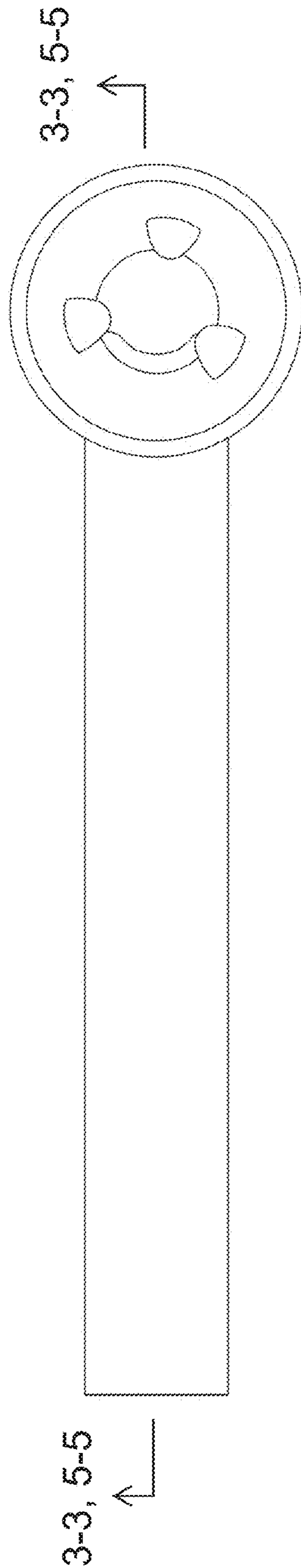


Figure - 8

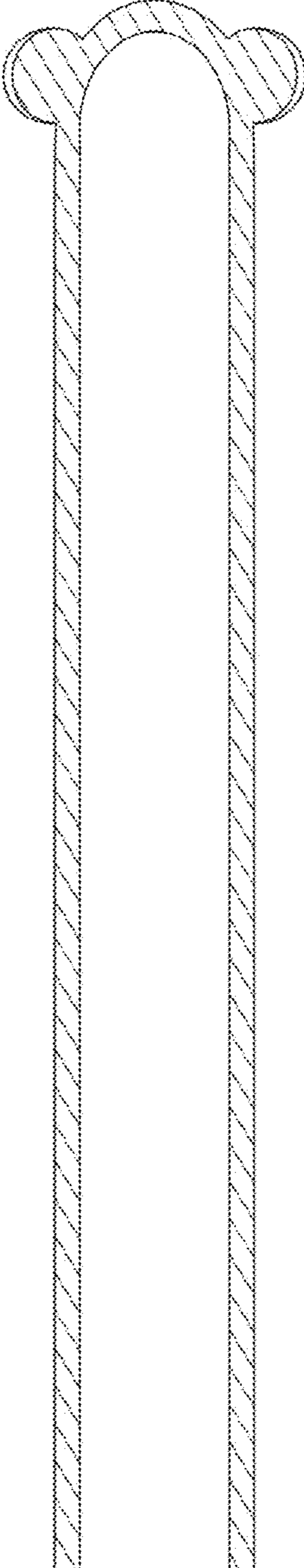


Figure - 9