



US00D961146S

(12) **United States Design Patent**
Wang

(10) **Patent No.:** **US D961,146 S**

(45) **Date of Patent:** **** Aug. 16, 2022**

(54) **LED LAMP**

(71) Applicant: **Quanzhou Viition Gifts Co., Ltd.**,
Fujian (CN)

(72) Inventor: **Peijun Wang**, Fujian (CN)

(**) Term: **15 Years**

(21) Appl. No.: **29/721,389**

(22) Filed: **Jan. 21, 2020**

(51) **LOC (13) Cl.** **26-05**

(52) **U.S. Cl.**

USPC **D26/89**; D26/24

(58) **Field of Classification Search**

USPC D26/24, 25, 28, 60, 61, 72, 74, 75, 76,
D26/78, 80, 82, 88, 85, 87, 89, 90,
D26/106-109, 113, 118, 128

CPC F21S 8/00; F21S 8/02; F21S 8/026; F21S
8/033; F21S 8/038; F21S 8/04; F21S
8/06; F21S 8/061; F21S 8/062; F21S
8/063; F21S 8/066; F21S 4/00; F21S
4/10; F21S 4/15; F21S 4/20; F21S 4/24;
F21S 4/26

See application file for complete search history.

(56) **References Cited**

U.S. PATENT DOCUMENTS

D109,740 S *	5/1938	Stewart	D26/137
D384,181 S *	9/1997	Borden	D26/37
D647,227 S *	10/2011	Kaule	D26/24
D690,843 S *	10/2013	Feigenbaum	D26/24
D742,041 S *	10/2015	Garcia	D26/110

D757,307 S *	5/2016	Wallach	D26/24
D867,625 S *	11/2019	Khubani	D26/24
D880,756 S *	4/2020	Cornelissen	D26/88
D905,889 S *	12/2020	Chen	D26/72
D932,679 S *	10/2021	Johnson	D26/89
D936,272 S *	11/2021	Johnson	D26/89
D946,815 S *	3/2022	Zhou	D26/110
2021/0116123 A1 *	4/2021	Feng	F21V 7/24

* cited by examiner

Primary Examiner — Richard Kearney

(74) *Attorney, Agent, or Firm* — Prakash Nama; Global IP Services, PLLC

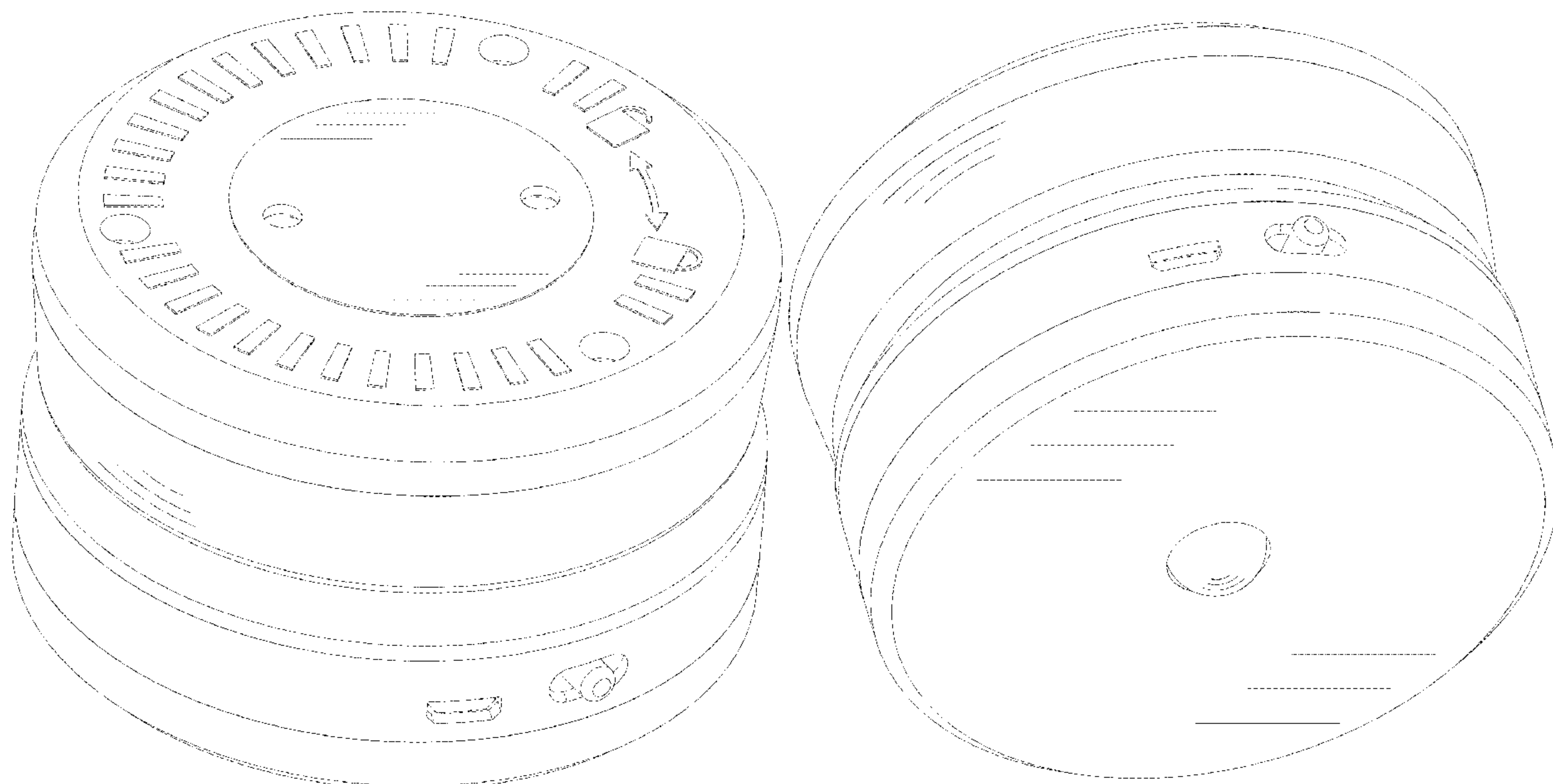
(57) **CLAIM**

The ornamental design for a LED lamp, as shown and described.

DESCRIPTION

FIG. 1 is a front elevational view of a LED lamp showing my new design;
FIG. 2 is a rear elevational view thereof;
FIG. 3 is a left side view thereof;
FIG. 4 is a right side view thereof;
FIG. 5 is a top plan view thereof;
FIG. 6 is a bottom plan view thereof;
FIG. 7 is a perspective view thereof; and,
FIG. 8 is another perspective view thereof.
The broken lines shown in LED lamp form no part of the claimed design.

1 Claim, 8 Drawing Sheets



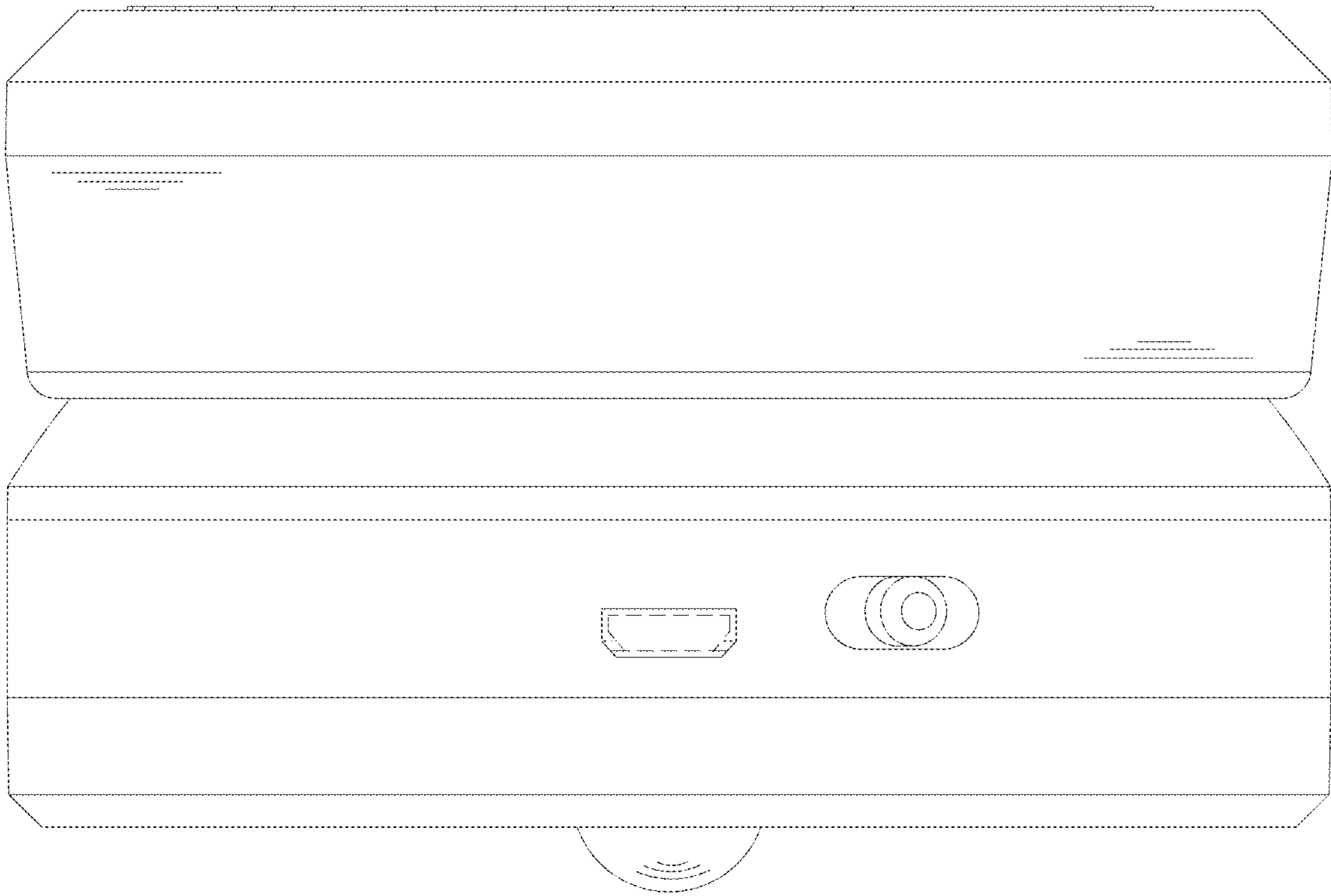


Fig. 1

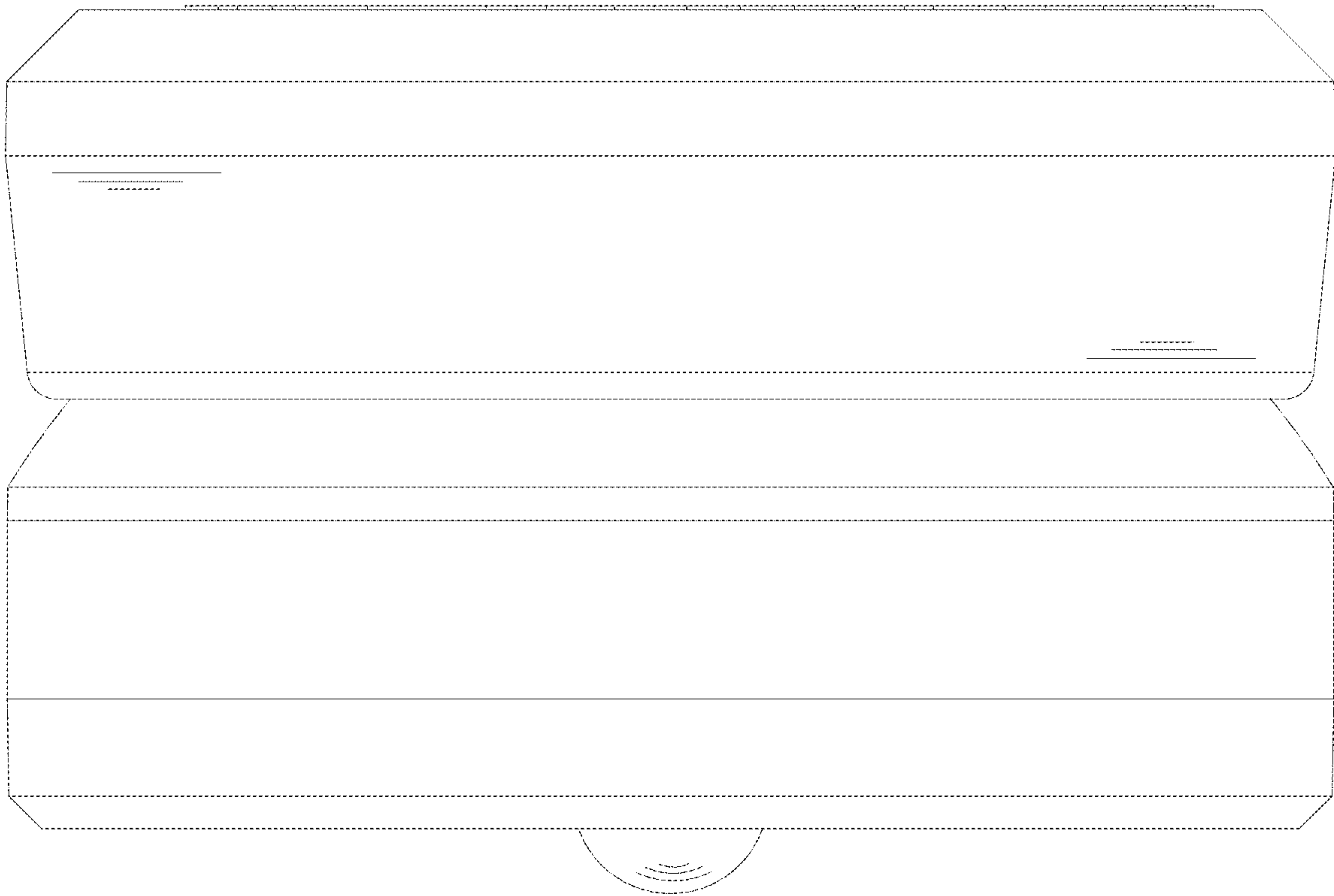


Fig. 2

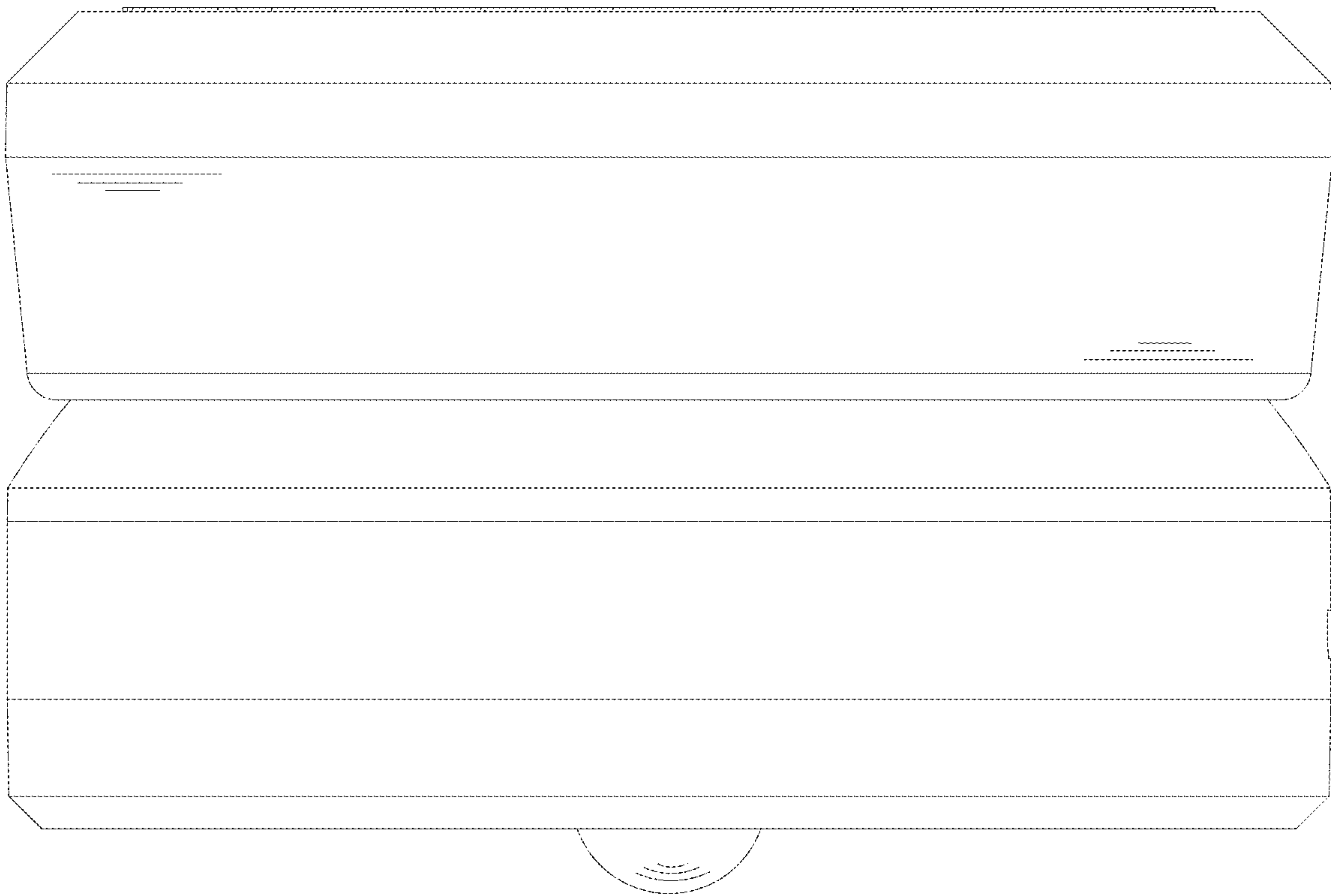


Fig. 3

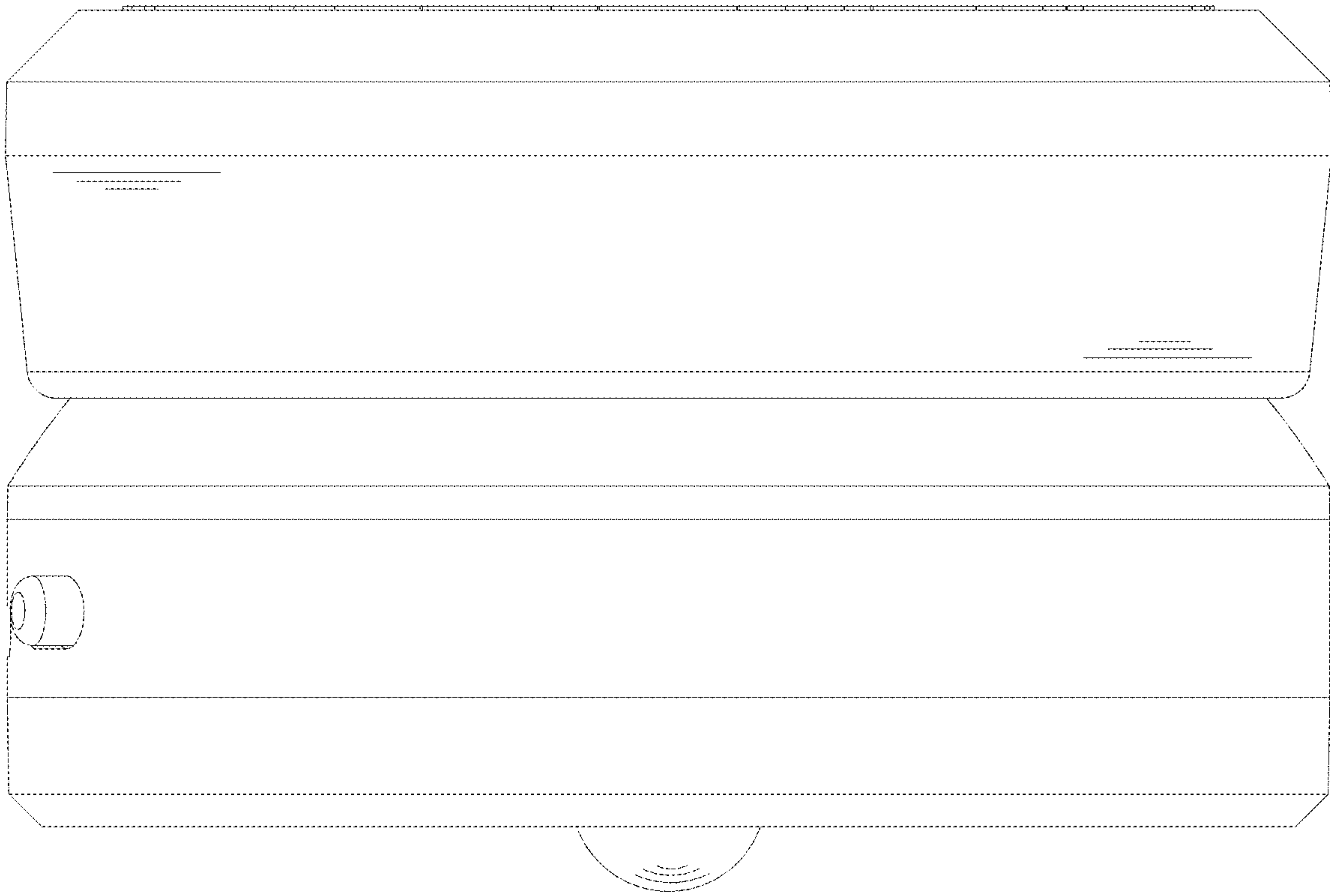


Fig. 4

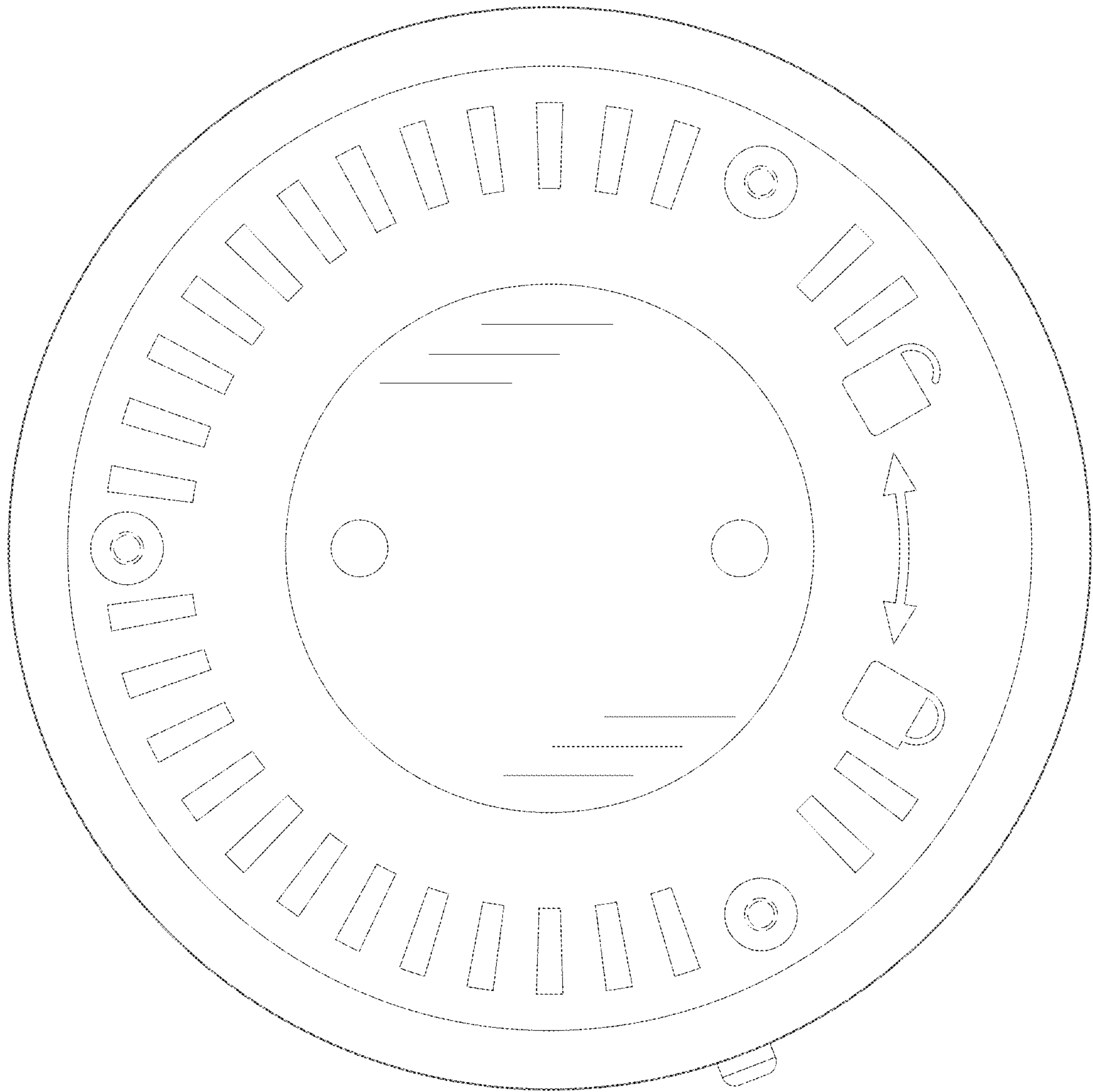


Fig. 5



Fig. 6

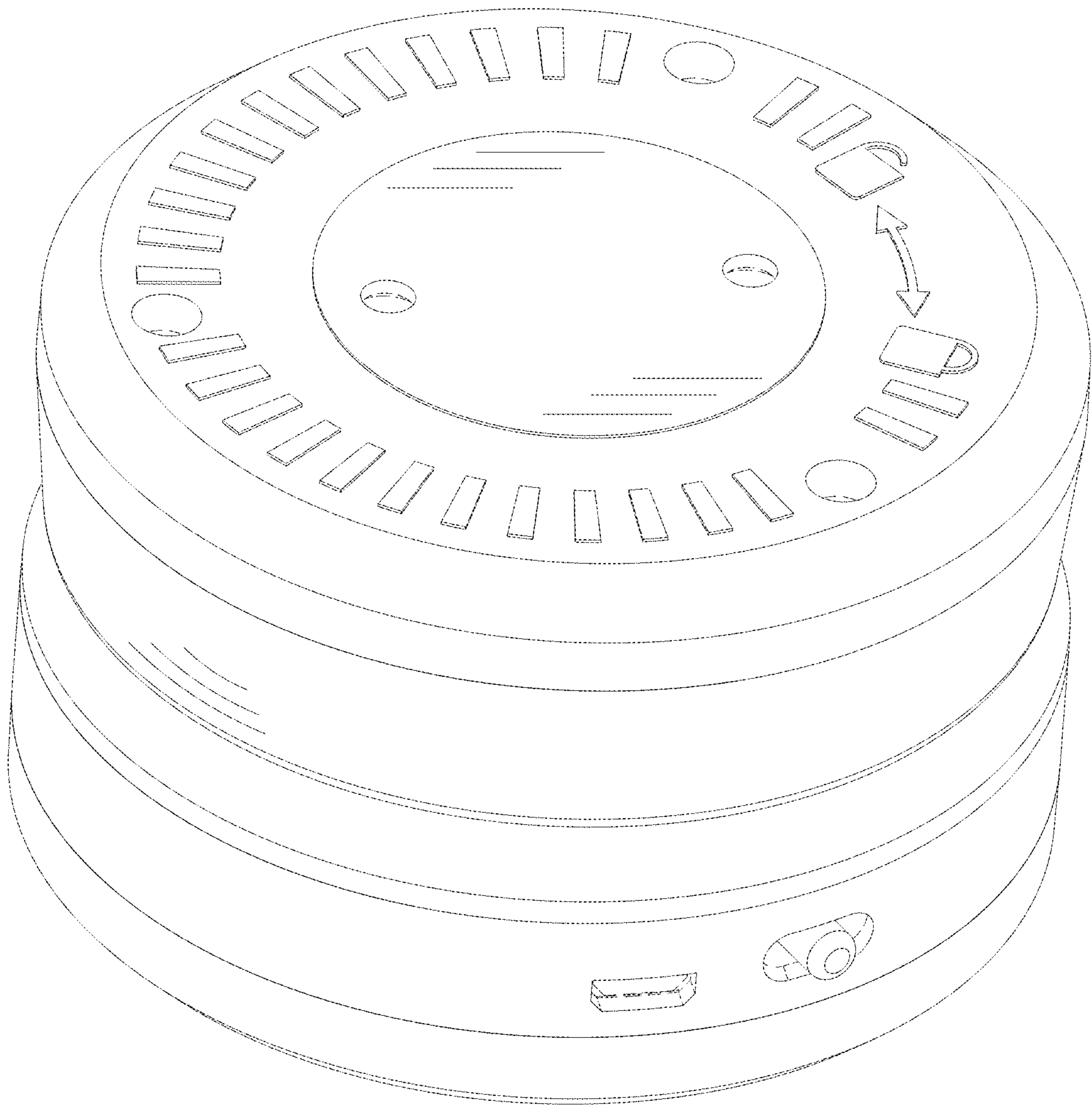


Fig. 7

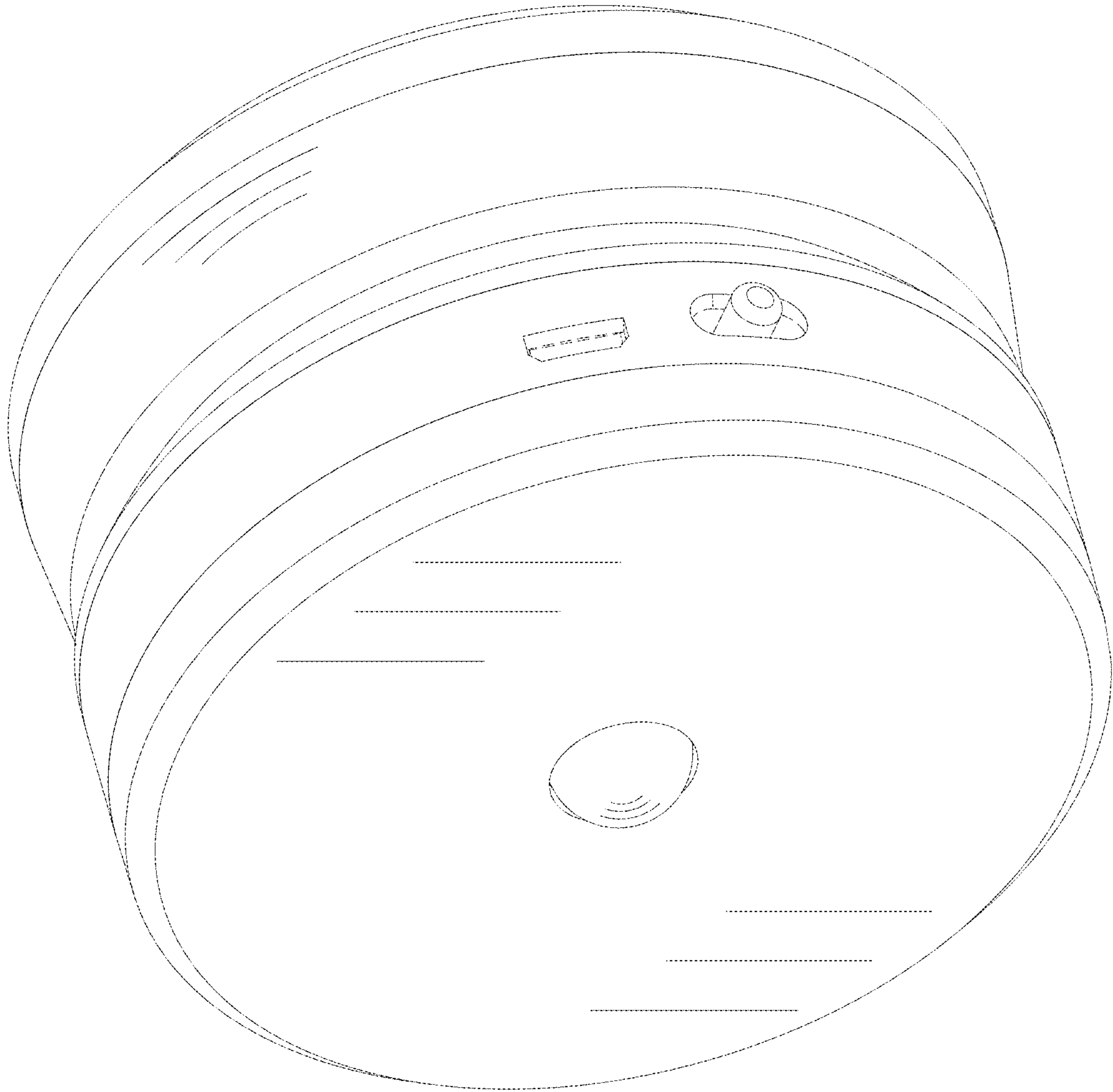


Fig. 8