



US00D961142S

(12) **United States Design Patent**  
**Zhuang**

(10) **Patent No.:** **US D961,142 S**

(45) **Date of Patent:** **\*\* Aug. 16, 2022**

(54) **SOLAR POST LIGHT**

(71) Applicant: **Wanqiong Zhuang**, Meizhou (CN)

(72) Inventor: **Wanqiong Zhuang**, Meizhou (CN)

(\*\*) Term: **15 Years**

(21) Appl. No.: **29/795,870**

(22) Filed: **Jun. 21, 2021**

(51) **LOC (13) Cl.** ..... **26-05**

(52) **U.S. Cl.**  
USPC ..... **D26/67**

(58) **Field of Classification Search**  
USPC ..... D26/67-70, 85, 142; D25/135  
CPC .... F21S 8/03; F21S 8/033; F21S 8/036; F21S  
8/081; F21S 9/037; F21W 2111/02;  
F21W 2111/023; F21W 2131/109  
See application file for complete search history.

(56) **References Cited**

**U.S. PATENT DOCUMENTS**

D42,963 S *	9/1912	Gehrke	.....	D26/142
D46,696 S *	11/1914	Schoenhardt	.....	D26/142
D427,367 S *	6/2000	Miranda	.....	D26/142
D430,700 S *	9/2000	Dolan	.....	D26/142
D465,877 S *	11/2002	Dolan	.....	D26/142
D495,084 S *	8/2004	Hon	.....	D26/67
D497,684 S *	10/2004	Hon	.....	D26/67
D553,285 S *	10/2007	Curtin	.....	D26/67
D629,950 S *	12/2010	Izardel	.....	D26/67
D666,758 S *	9/2012	Ho	.....	D26/67
D693,953 S *	11/2013	Yang	.....	D26/104
D785,223 S	4/2017	Patton		
D822,866 S	7/2018	Chen		
D910,897 S *	2/2021	Liu	.....	D26/67
D923,846 S *	6/2021	Peng	.....	D26/67
2007/0285023 A1 *	12/2007	Cooper	.....	F21L 4/00 362/183
2008/0232094 A1 *	9/2008	Ramsdell	.....	F21S 8/088 362/183
2015/0103518 A1 *	4/2015	Zhu	.....	F21S 9/037 362/183

**OTHER PUBLICATIONS**

SUPONAR Metal Solar Post Light ASIN: B093KV9ZK5. Available from amazon.com Apr. 27, 2021. (Year: 2021).\*

SUPONAR Metal Solar Post Light ASIN: B09HKQ2TYH. Available from amazon.com Sep. 30, 2021. (Year: 2021).\*

DERYNOME Fence Post Solar Light ASIN: B093GB45CC. Available from amazon.com Apr. 26, 2021. (Year: 2021).\*

PASAMIC 2 Pack Solar Wall Lanterns with 4 Solar Panels, ASIN: B08Q3791H5. Available from amazon.com Dec. 9, 2020. (Year: 2020).\*

GYDZ Solar Post Light ASIN: B08SK43LG6. Available from amazo.com Jan. 9, 2021. (Year: 2021).\*

LIT-PaTH Outdoor Post Light Mounting Base, ASIN: B081365GHS. Available from amazon.com Nov. 4, 2019. (Year: 2019).\*

\* cited by examiner

*Primary Examiner* — Clare E Hefflin

(57) **CLAIM**

The ornamental design for a solar post light, as shown and described.

**DESCRIPTION**

FIG. 1 is a top, front and right perspective view of a solar post light showing my new design;

FIG. 2 is a front elevational view thereof, the rear elevational view being identical thereto;

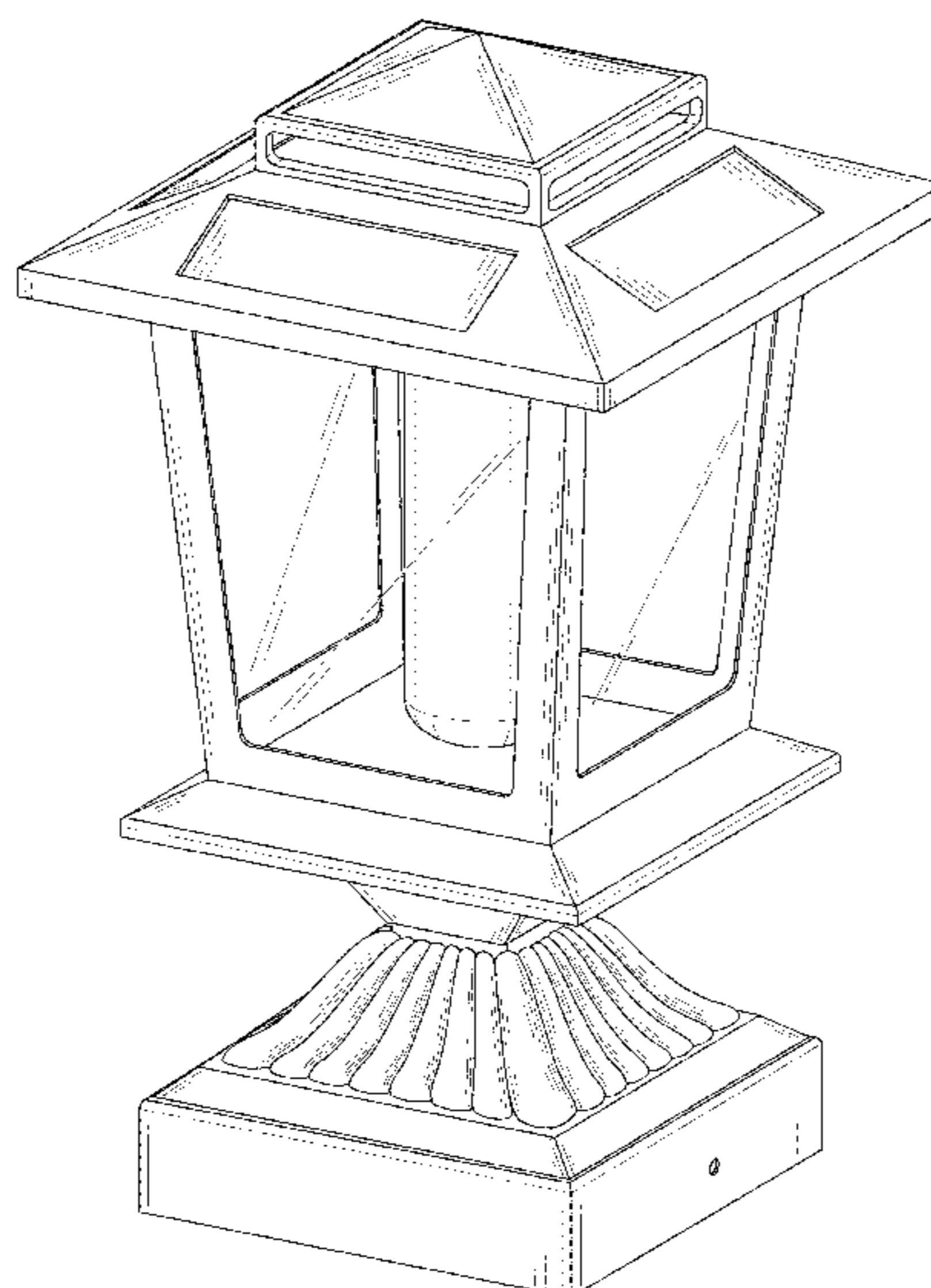
FIG. 3 is a left side elevational view thereof, the right side elevational view being identical thereto;

FIG. 4 is a top plan view thereof; and,

FIG. 5 is a bottom plan view thereof.

The broken lines in the figures illustrate portions of the solar post light that form no part of the claimed design.

**1 Claim, 5 Drawing Sheets**



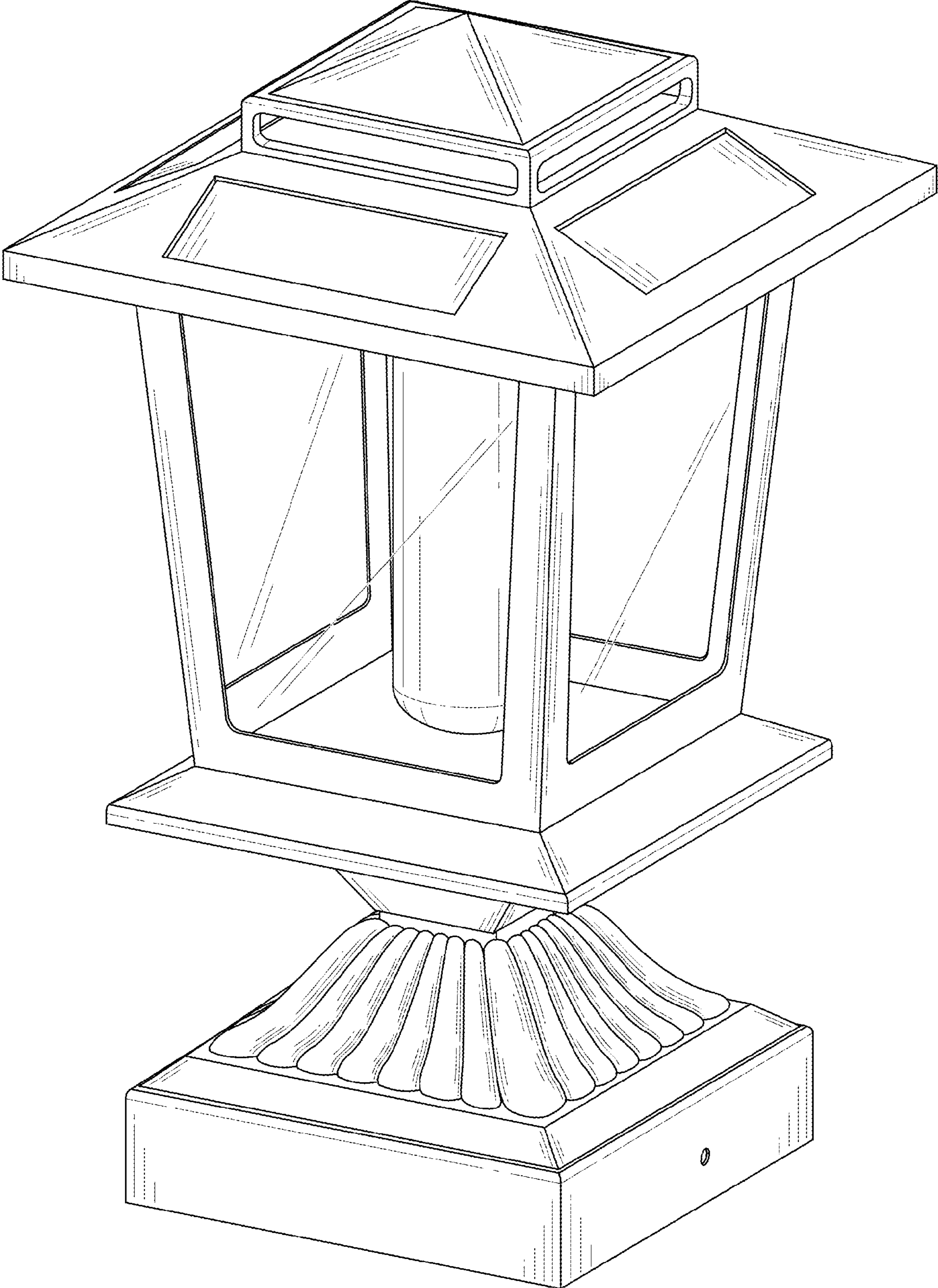


FIG. 1

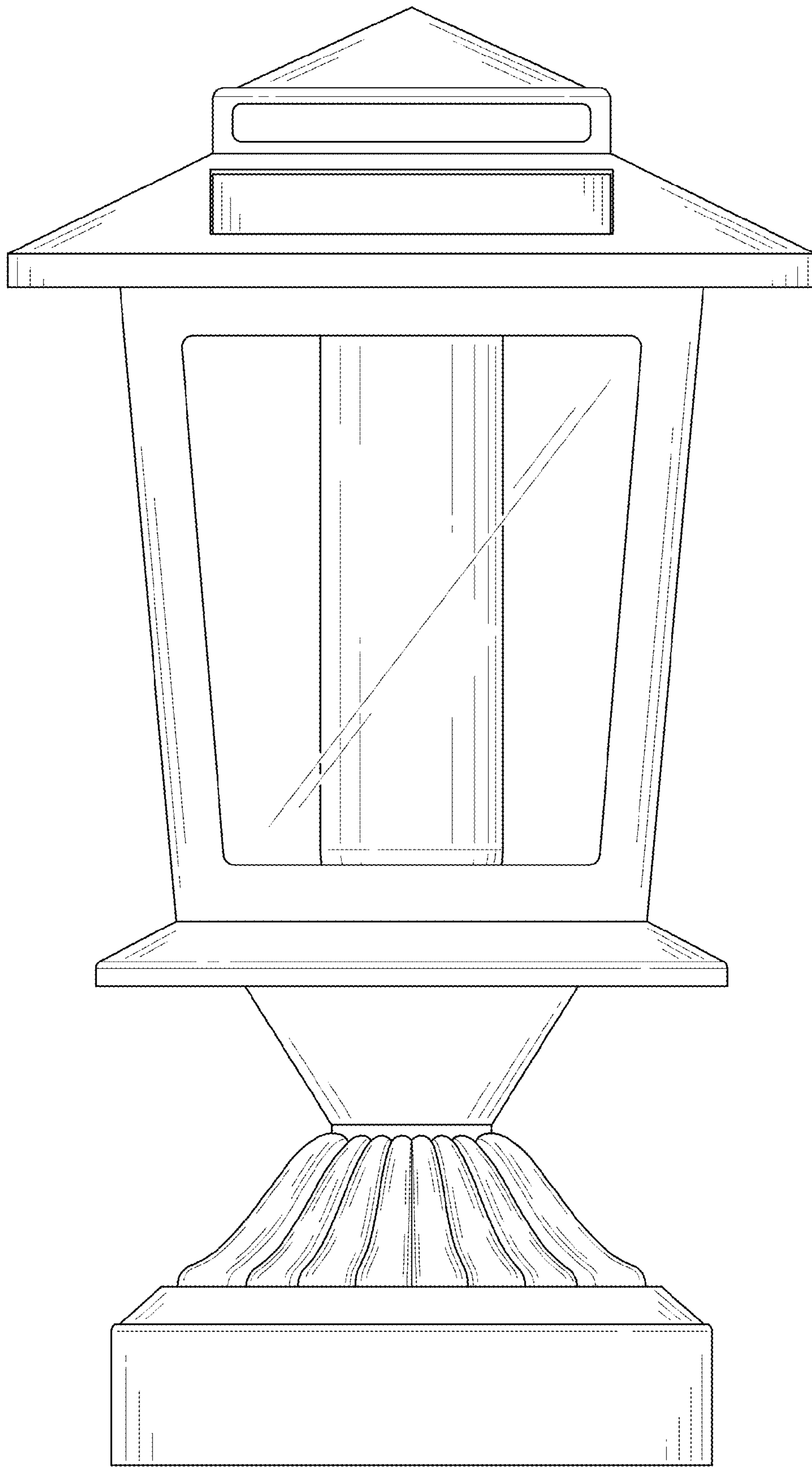


FIG. 2

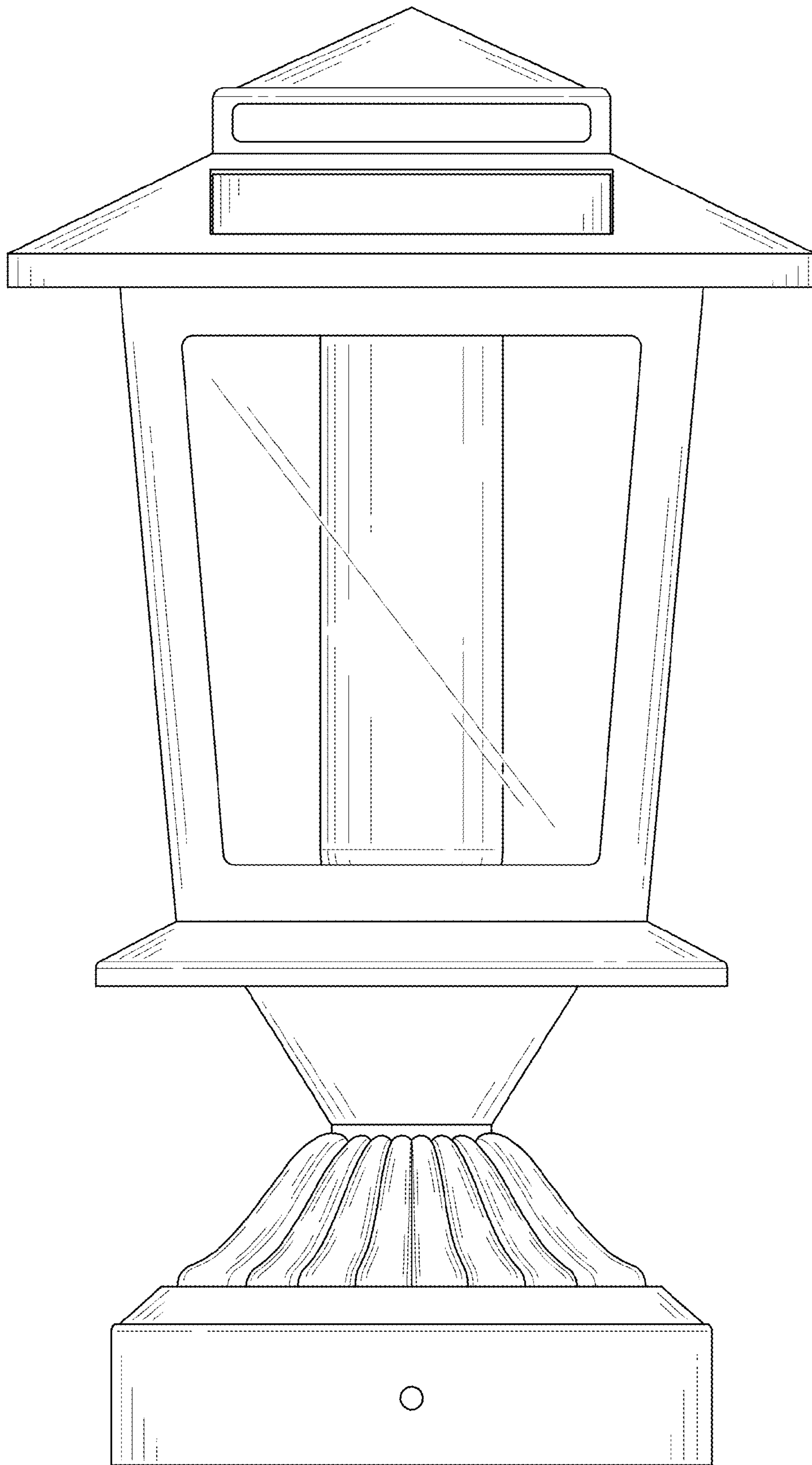


FIG. 3

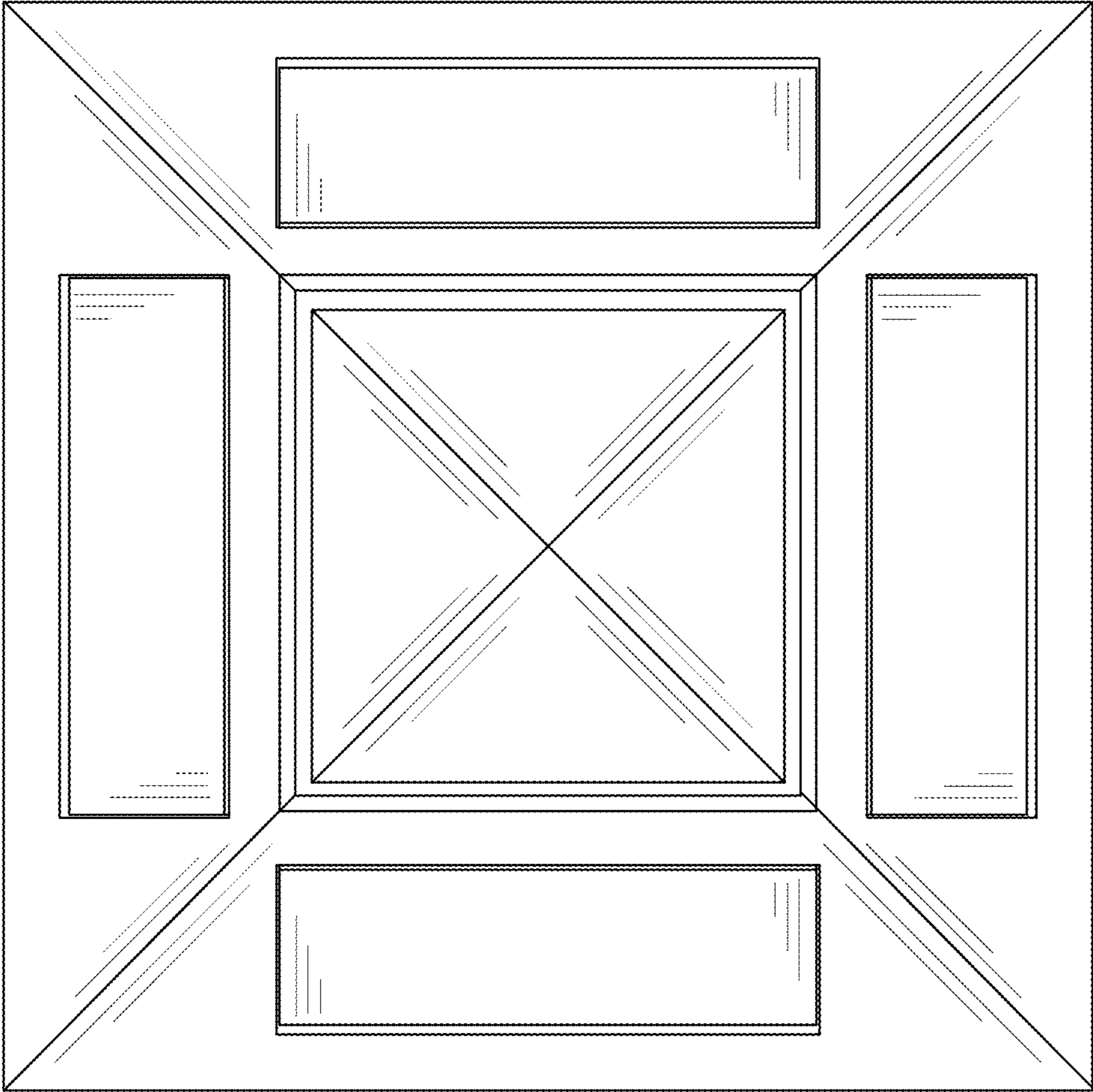


FIG. 4

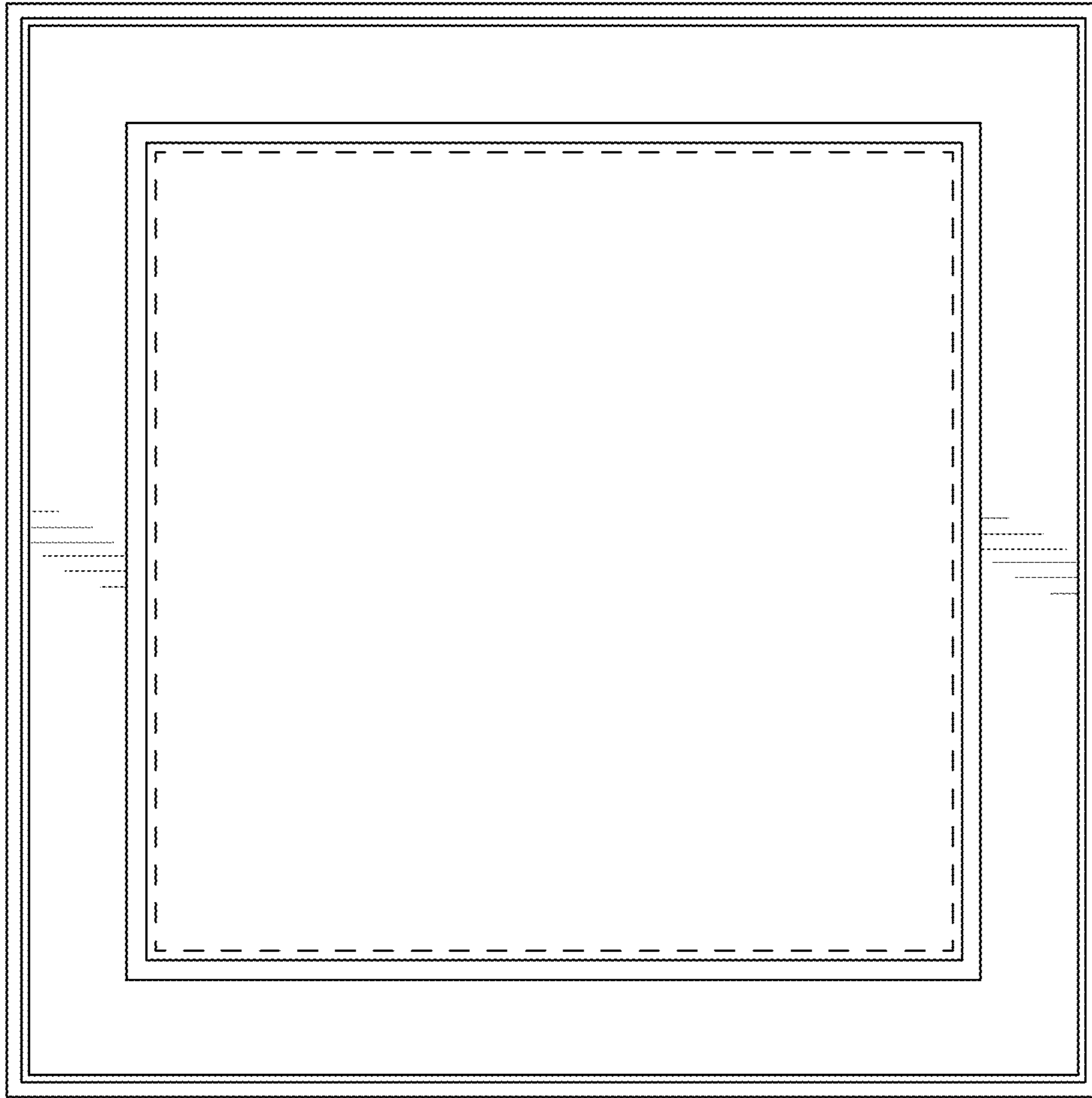


FIG. 5