



US00D961141S

(12) **United States Design Patent** (10) **Patent No.:** **US D961,141 S**  
**Liao** (45) **Date of Patent:** **\*\* Aug. 16, 2022**

(54) **SOLAR LIGHT**

(71) Applicant: **Zhian Liao**, Zhuhai (CN)

(72) Inventor: **Zhian Liao**, Zhuhai (CN)

(\*\*) Term: **15 Years**

(21) Appl. No.: **29/779,554**

(22) Filed: **Apr. 20, 2021**

(51) **LOC (13) Cl.** ..... **26-05**

(52) **U.S. Cl.**  
USPC ..... **D26/67**

(58) **Field of Classification Search**  
USPC ..... D26/67-70, 72, 85  
CPC .... F21S 8/03; F21S 8/033; F21S 8/036; F21S 8/081; F21S 9/037; F21W 2111/02; F21W 2111/023; F21W 2131/109  
See application file for complete search history.

(56) **References Cited**

**U.S. PATENT DOCUMENTS**

D604,440 S *	11/2009	Chen	.....	D26/67
D605,802 S *	12/2009	Chen	.....	D26/67
D629,133 S	12/2010	Chen		
D630,363 S	1/2011	Sooferian		
D639,991 S *	6/2011	Chen	.....	D26/68
D678,574 S *	3/2013	Chen	.....	D26/67
D698,066 S	1/2014	Sooferian		
D707,380 S	6/2014	Sooferian		
D716,988 S	11/2014	Sooferian		
D757,980 S	5/2016	Sooferian		
D758,633 S	6/2016	Sooferian		
D814,092 S *	3/2018	Chen	.....	D26/67
D821,015 S	6/2018	Peng		
D830,295 S	10/2018	Sooferian		
D841,213 S *	2/2019	Zhuo	.....	D26/68
D880,746 S	4/2020	Zhang		

D899,658 S	10/2020	Wang		
D906,564 S	12/2020	Wu		
D911,573 S	2/2021	Shi		
D935,675 S *	11/2021	Ma	.....	D26/67
2015/0176812 A1 *	6/2015	Xinzhou	.....	F21S 10/00 362/183
2019/0049096 A1 *	2/2019	Harper	.....	F21V 11/08

**OTHER PUBLICATIONS**

LeiDrail Solar Pathway Lights, ASIN: B09MT9M7CH. Available from amazon.com Mar. 22, 2022. (Year: 2022).\*  
LeiDrail Solar Pathway Lights ASIN: B09MHYJK73. Available from amazon.com Mar. 27, 2022. (Year: 2022).\*  
Hampton Bay Solar Bronze Outdoor Integrated LED Landscape Path Light with Water Glass Lens. Available from homedepot.com as early as Feb. 12, 2018. (Year: 2018).\*

\* cited by examiner

*Primary Examiner* — Clare E Hefflin

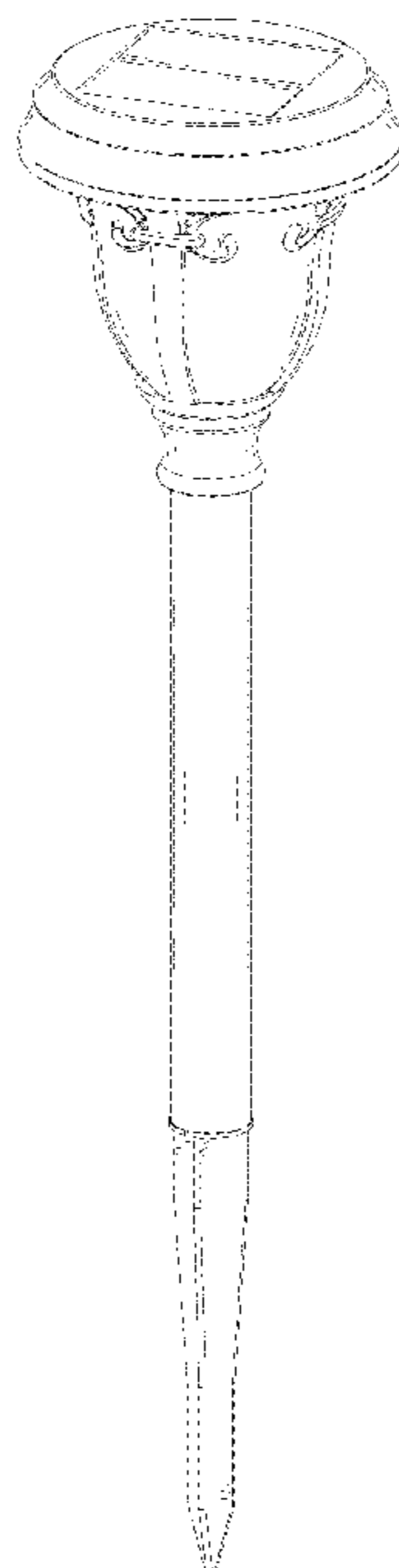
(57) **CLAIM**

The ornamental design for a solar light, as shown and described.

**DESCRIPTION**

FIG. 1 is a front, right side, top perspective view of a solar light showing my new design;  
FIG. 2 is a rear, right side, bottom perspective view thereof;  
FIG. 3 is a front elevational view thereof;  
FIG. 4 is a rear elevational view thereof;  
FIG. 5 is a left side elevational view thereof;  
FIG. 6 is a right side elevational view thereof;  
FIG. 7 is a top plan view thereof; and,  
FIG. 8 is a bottom plan view thereof.  
The broken lines depict portions of the solar light that form no part of the claimed design.

**1 Claim, 8 Drawing Sheets**



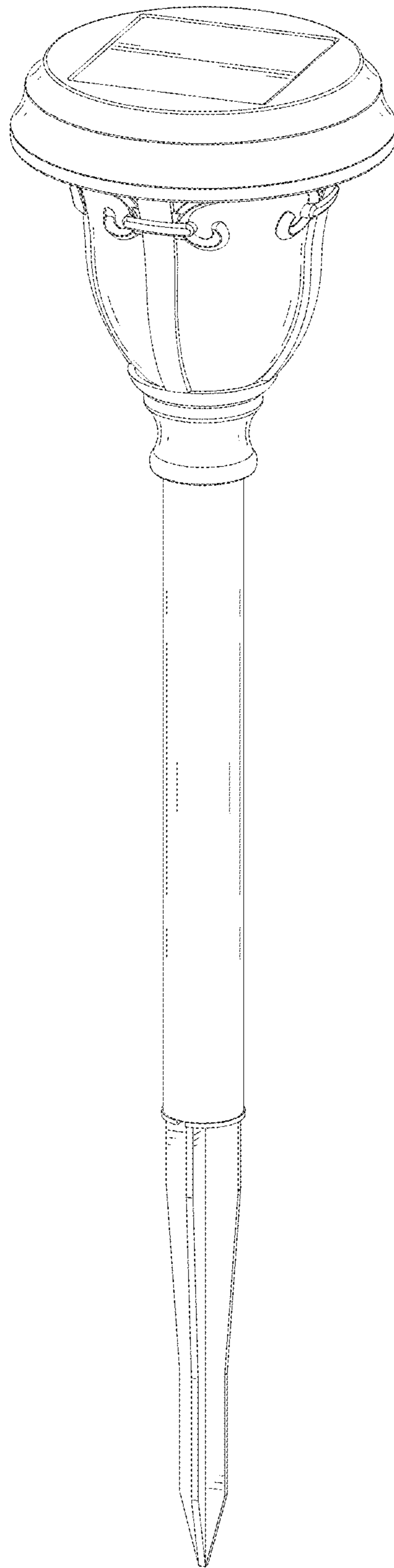


FIG. 1

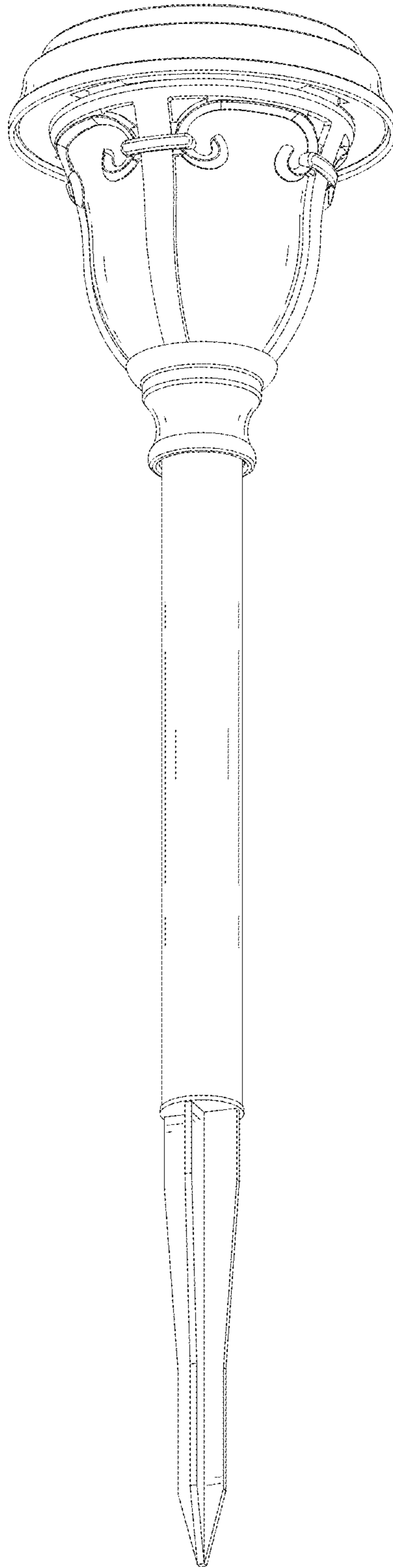


FIG. 2

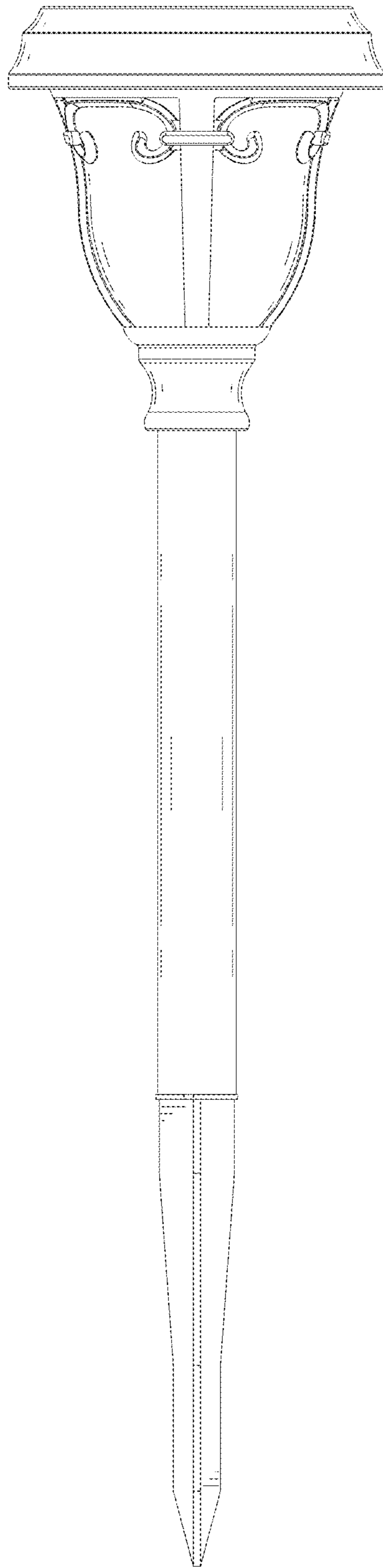


FIG. 3

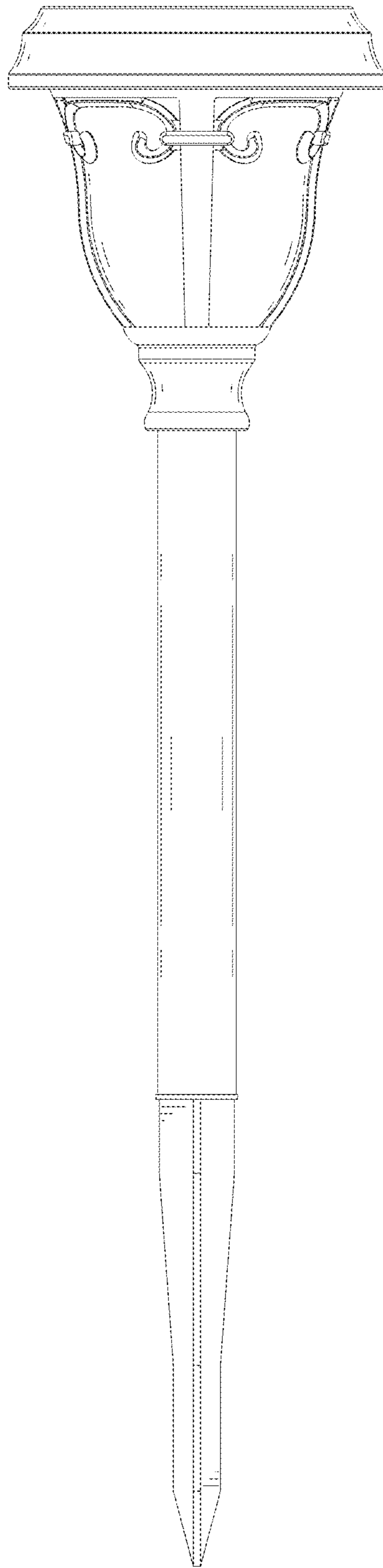


FIG. 4

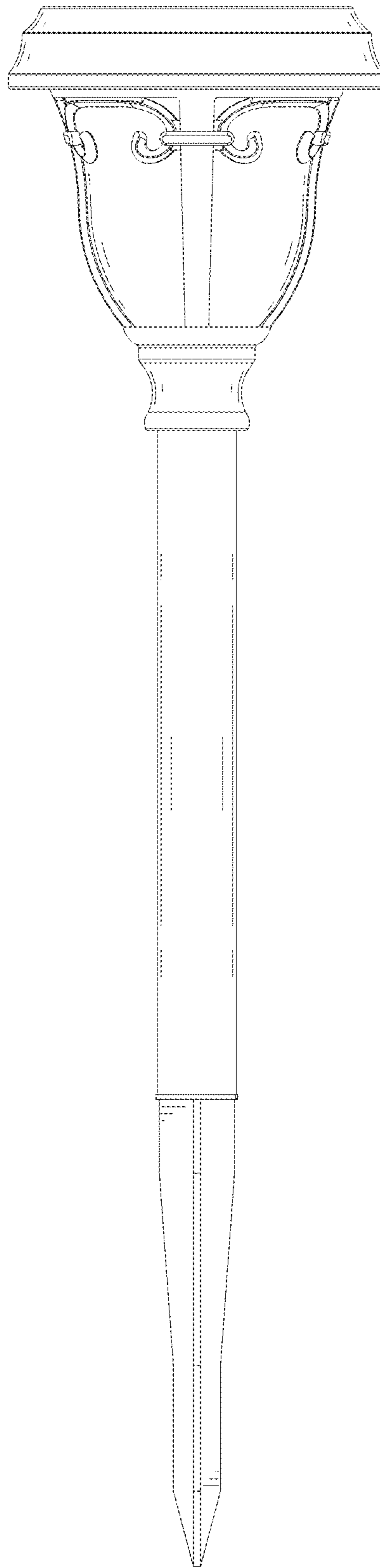


FIG. 5

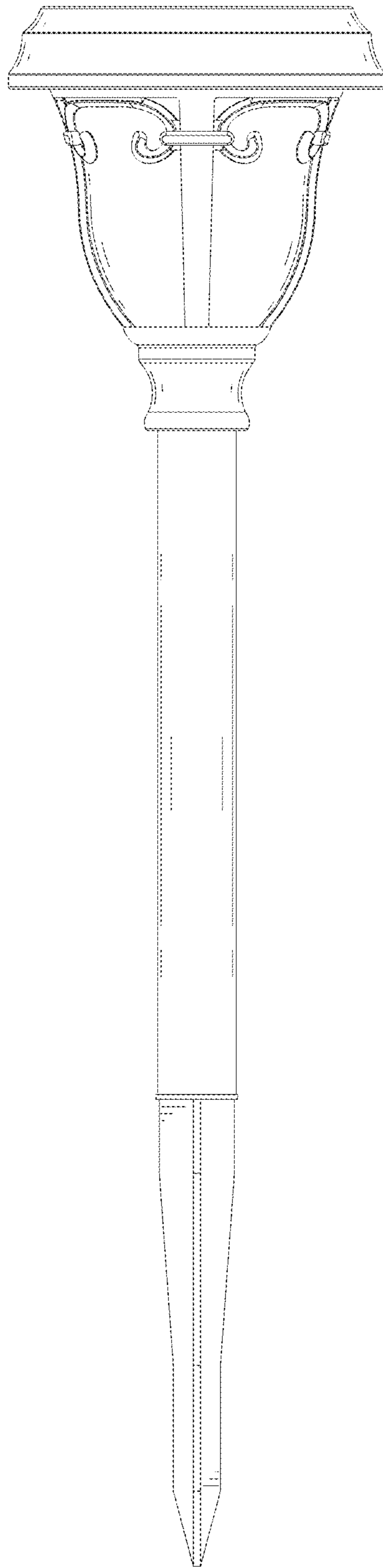


FIG. 6

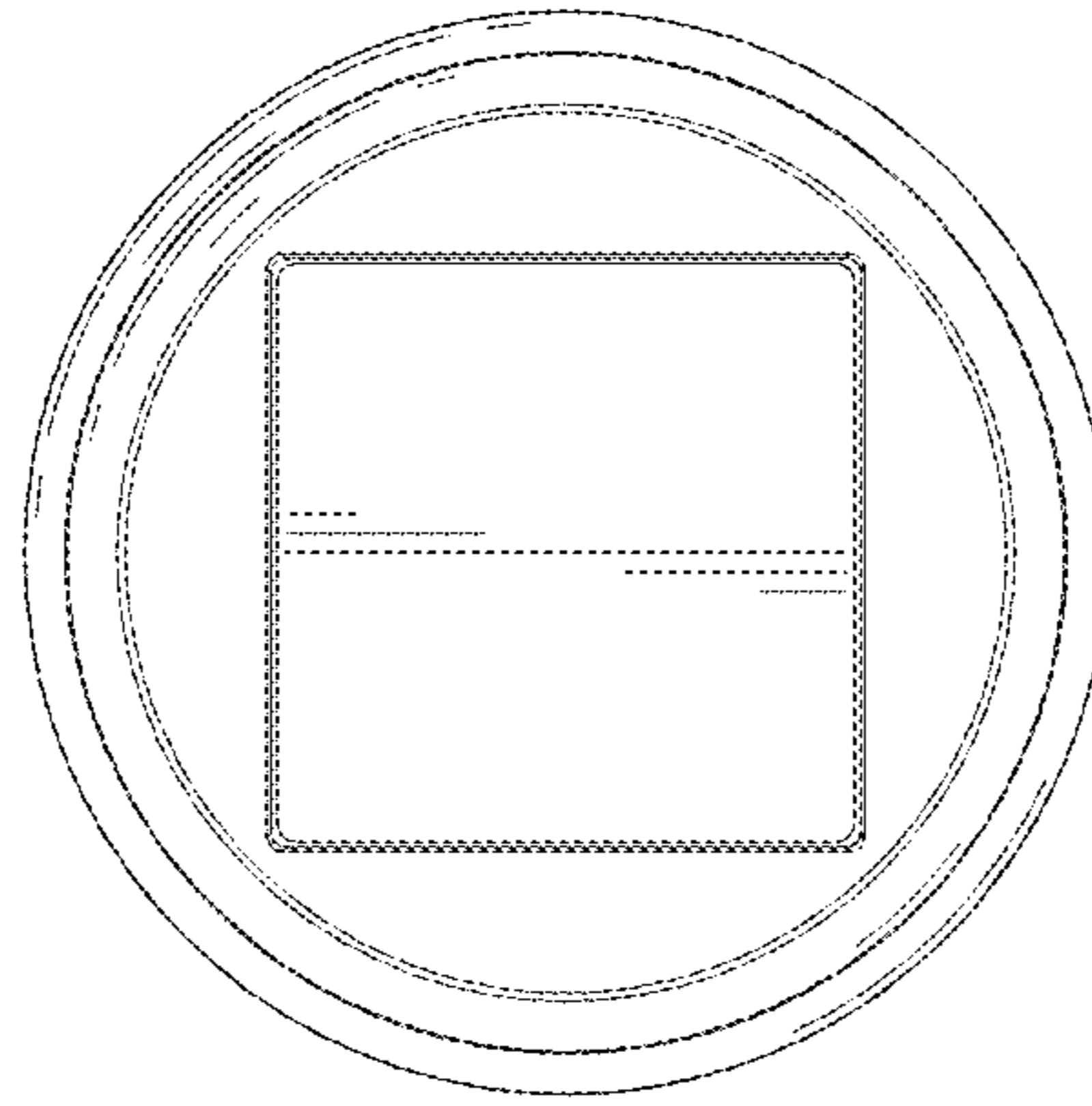


FIG.7



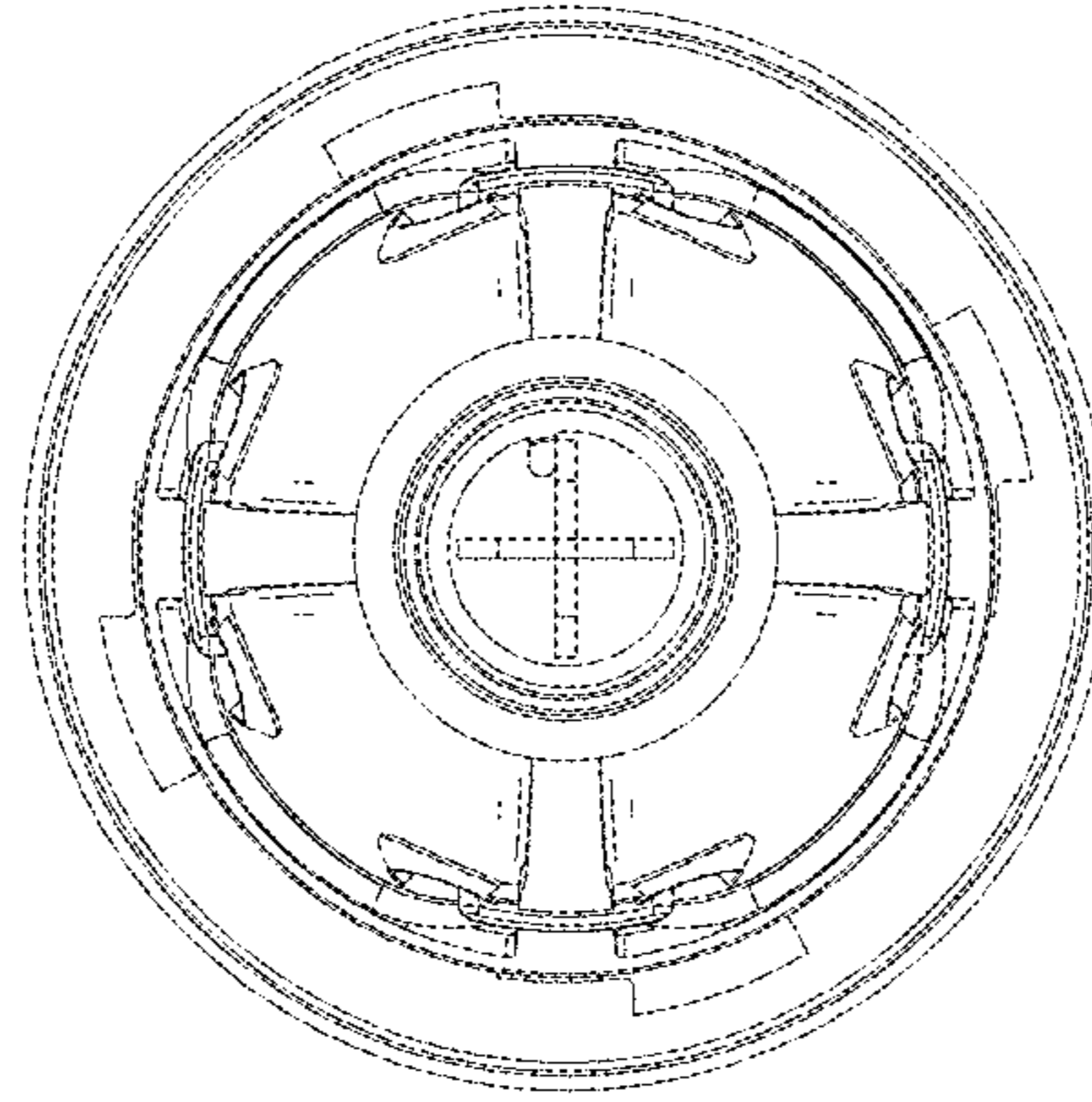


FIG.8