

US00D961138S

(12) **United States Design Patent**
Peng

(10) **Patent No.:** **US D961,138 S**

(45) **Date of Patent:** **** Aug. 16, 2022**

- (54) **LED PHOTO SUPPLEMENT LAMP**
- (71) Applicant: **DONGGUAN BIAOSHENG PLASTIC ELECTRONICS CO., LTD.**, Dongguan (CN)
- (72) Inventor: **Wenxiu Peng**, Dongguan (CN)
- (73) Assignee: **DONGGUAN BIAOSHENG PLASTIC ELECTRONICS CO., LTD.**, Dongguan (CN)
- (**) Term: **15 Years**
- (21) Appl. No.: **29/781,522**
- (22) Filed: **Apr. 30, 2021**
- (51) **LOC (13) Cl.** **26-05**
- (52) **U.S. Cl.**
USPC **D26/63; D16/237; D16/239**
- (58) **Field of Classification Search**
USPC D26/24, 36, 38, 44, 51, 60, 61, 63, 64, D26/65, 80, 118; D16/229, 237, 239, D16/240, 244, 250
CPC F21V 21/00; F21V 21/14; F21V 21/30; F21S 8/00; F21S 8/04; G03B 17/12; G03B 17/56-566; G03B 2215/0517; G03B 2215/0521; G03B 2215/0539; G03B 2215/0557; G03B 2215/0564; G03B 2215/0567; G03B 2215/0571
See application file for complete search history.

- (56) **References Cited**
U.S. PATENT DOCUMENTS
D535,039 S * 1/2007 Sorokin D26/24
D589,636 S * 3/2009 Pinette D26/63
D606,691 S * 12/2009 Lindholm D26/63
D702,279 S * 4/2014 Zhan D16/239
D776,186 S * 1/2017 Gammons D16/239
D802,197 S * 11/2017 Ding D26/63
D855,247 S * 7/2019 Wang D26/118

- D856,562 S * 8/2019 Shi D26/63
- D884,949 S * 5/2020 Amin D26/63
- D884,950 S * 5/2020 Amin D26/63
- D884,951 S * 5/2020 Amin D26/63
- D892,199 S * 8/2020 Peng D26/44
- D894,460 S * 8/2020 Yu D26/63
- D895,186 S * 9/2020 Merovitz D26/63
- D908,940 S 1/2021 Chen
- D910,218 S * 2/2021 Somasekar D26/63
- D910,221 S * 2/2021 Wang D26/63
- D911,567 S * 2/2021 Lv D26/63
- D911,568 S * 2/2021 Lv D26/63
- D915,641 S * 4/2021 Zhan D26/24
- D930,219 S * 9/2021 Shalvi D26/92
- D939,750 S * 12/2021 Wu D26/63
- D943,134 S * 2/2022 Zeng D26/63
- D950,127 S * 4/2022 Zhong D26/67
- D954,785 S * 6/2022 Liu D16/237
- 2017/0202067 A1 * 7/2017 Lin F21V 19/003

(Continued)

Primary Examiner — Wan Laymon
Assistant Examiner — Clint A Samuel

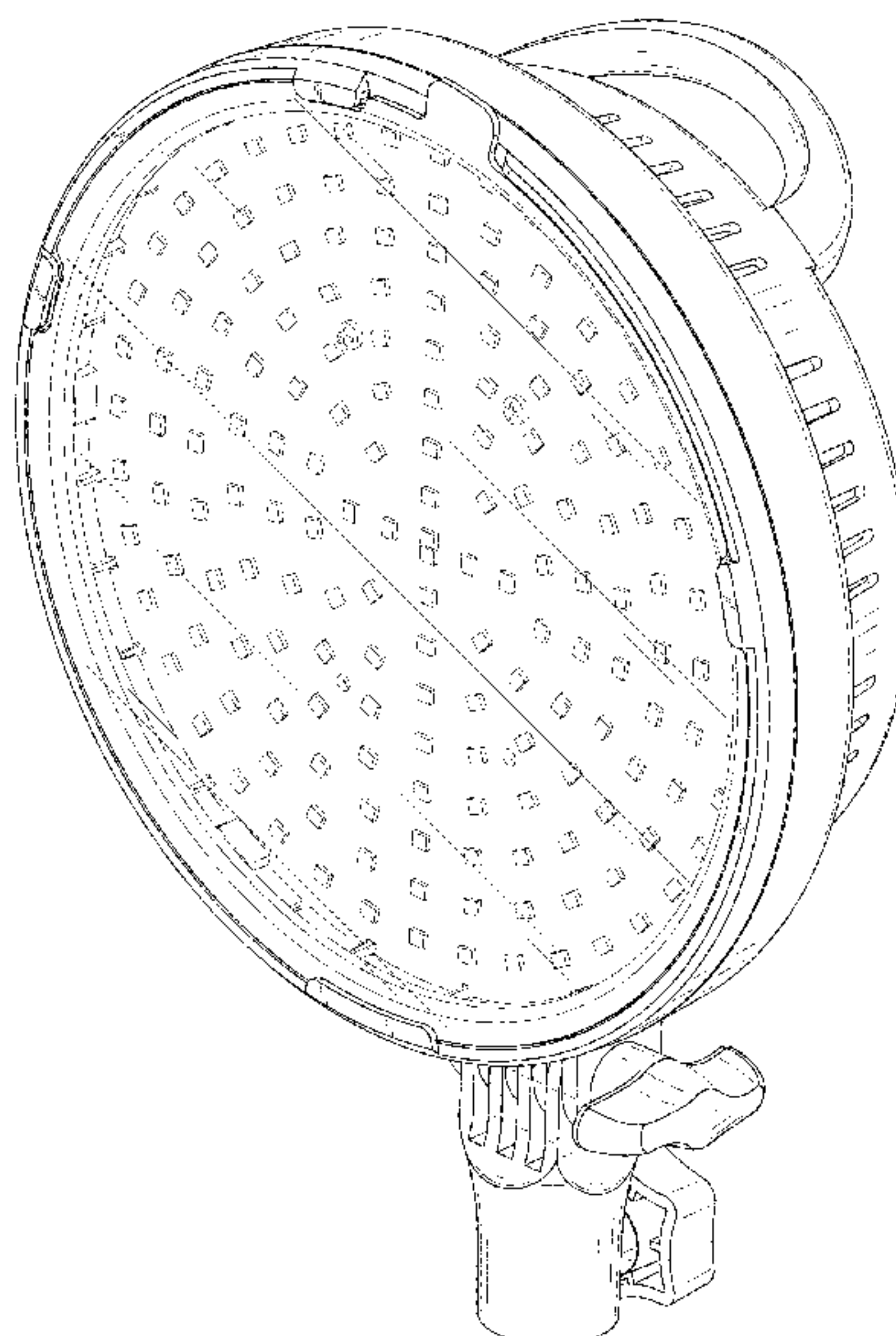
(57) **CLAIM**

The ornamental design for an LED photo supplement lamp, as shown and described.

DESCRIPTION

FIG. 1 is a perspective view of an LED photo supplement lamp showing my new design;
FIG. 2 is another perspective view thereof;
FIG. 3 is a front elevational view thereof
FIG. 4 is a rear elevational view thereof;
FIG. 5 is a left side elevational view thereof;
FIG. 6 is a right side elevational view thereof;
FIG. 7 is a top plan view thereof; and,
FIG. 8 is a bottom plan view thereof.
The broken lines in the drawings depict portions of the LED photo supplement lamp that form no part of the claimed design.

1 Claim, 8 Drawing Sheets



(56)

References Cited

U.S. PATENT DOCUMENTS

2018/0239219 A1 8/2018 Peterson
2018/0306415 A1* 10/2018 Eggly F21V 3/0625

* cited by examiner

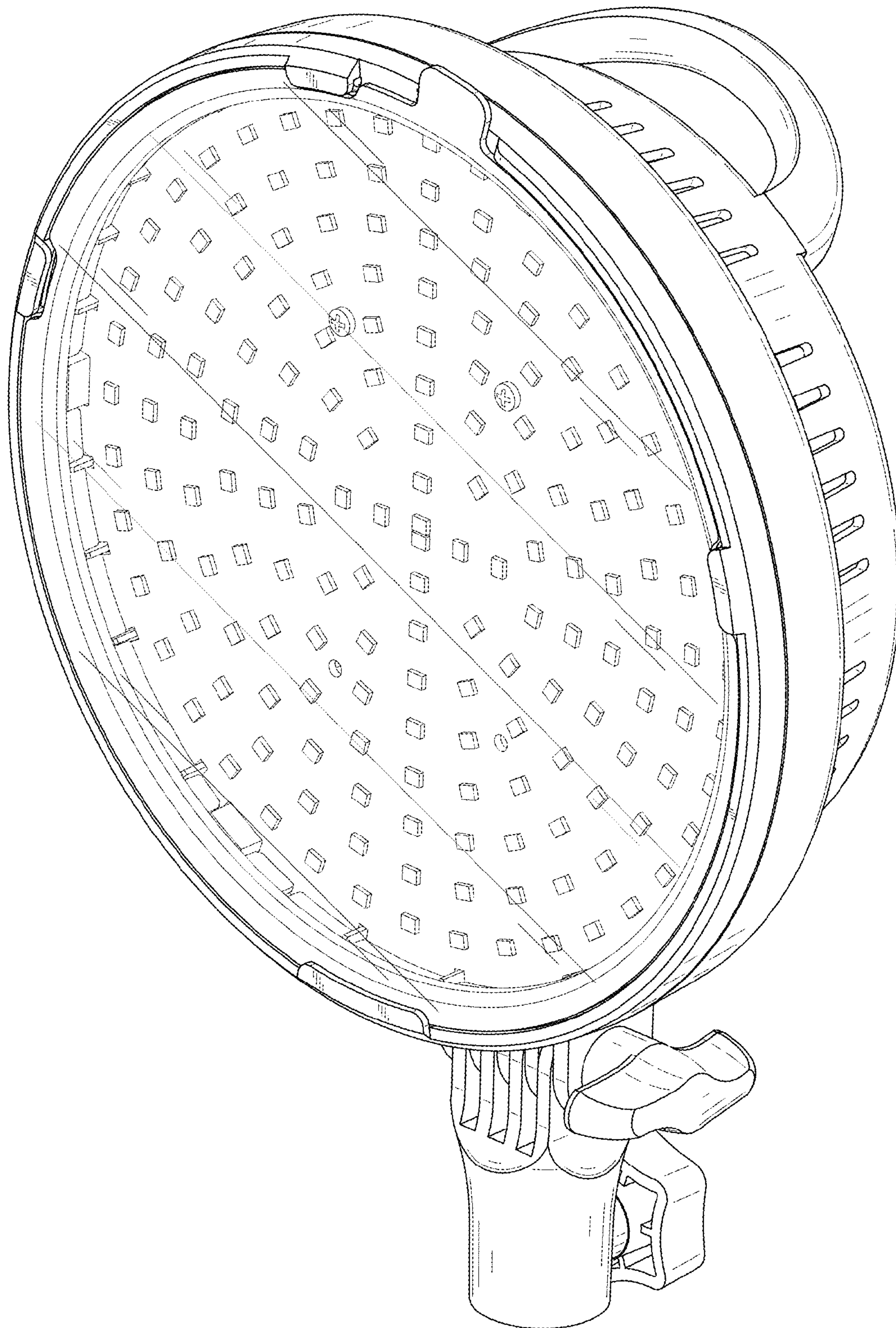


FIG. 1

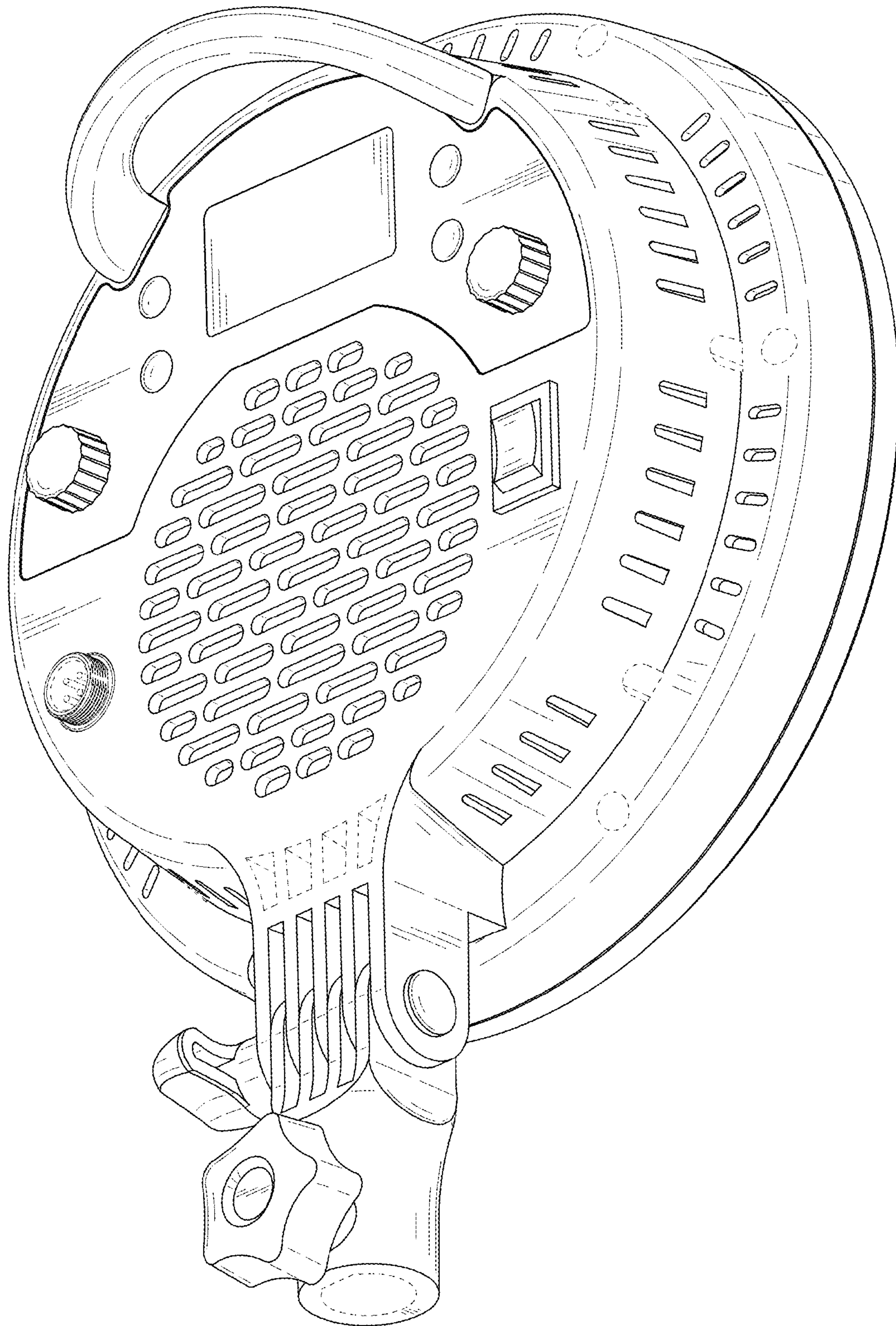


FIG. 2

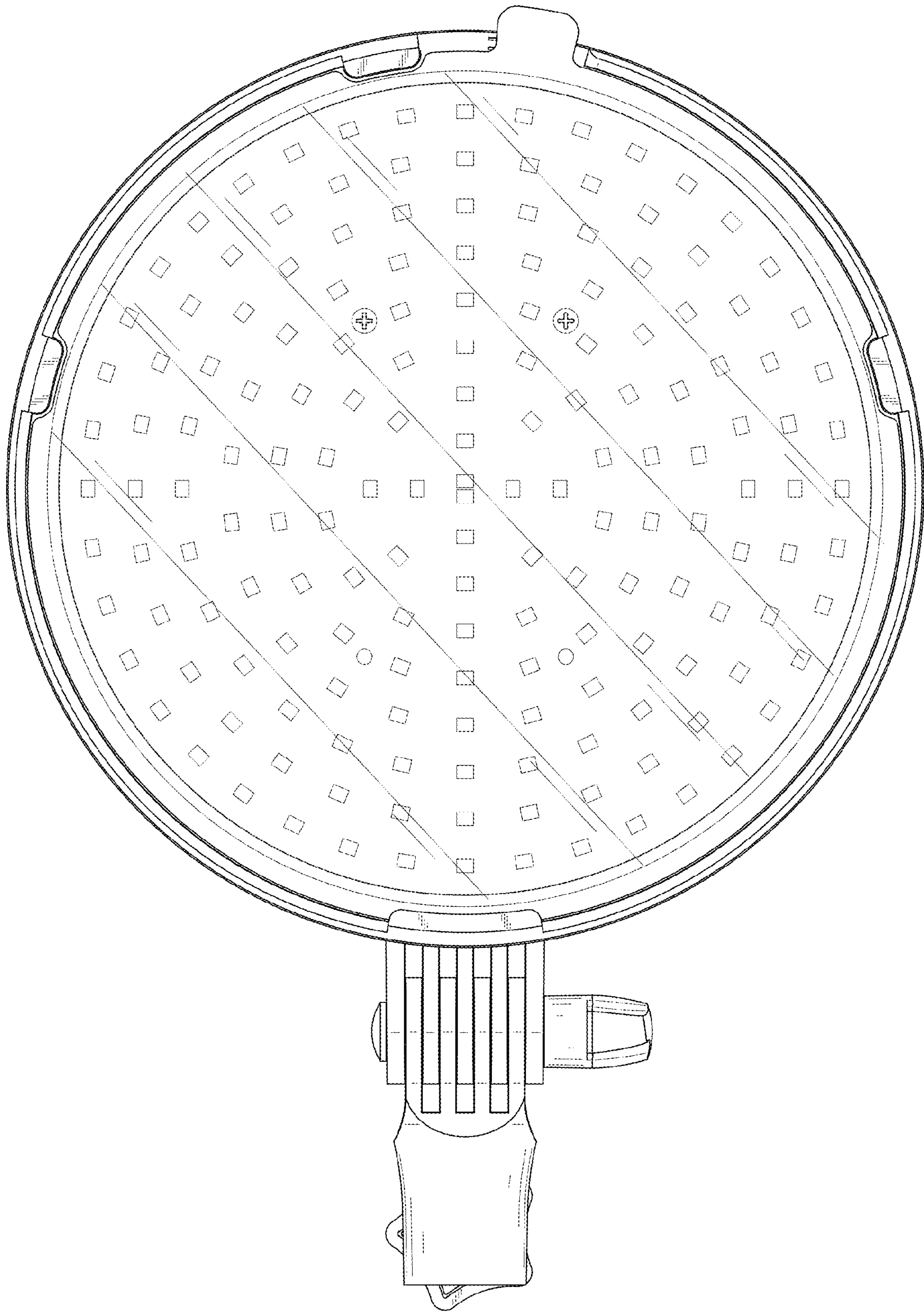


FIG. 3

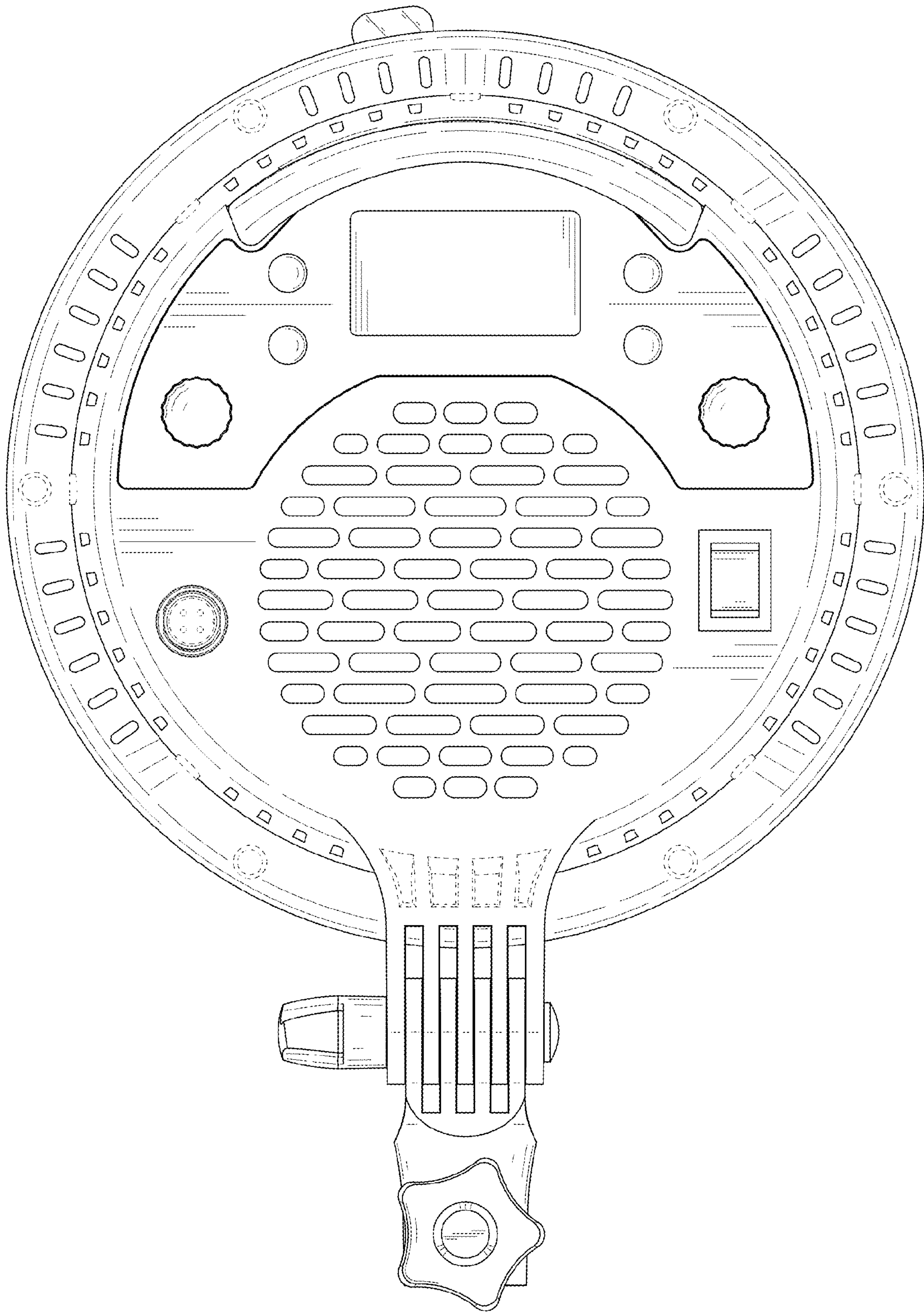


FIG. 4

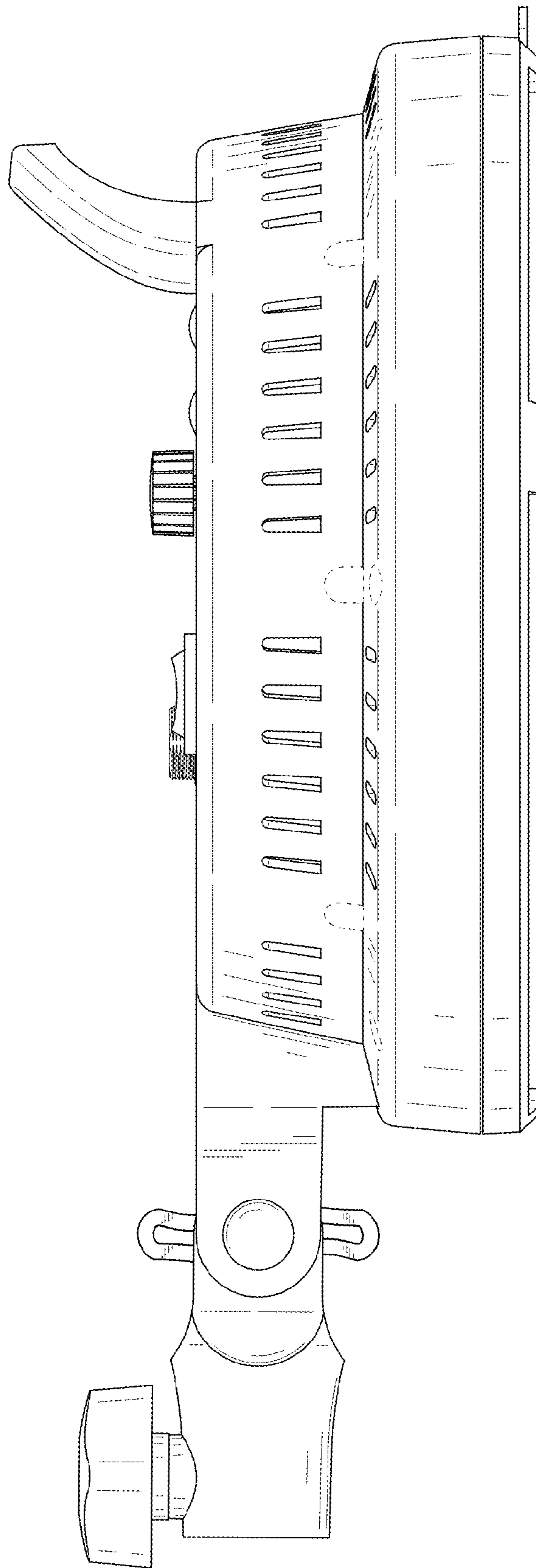


FIG. 5

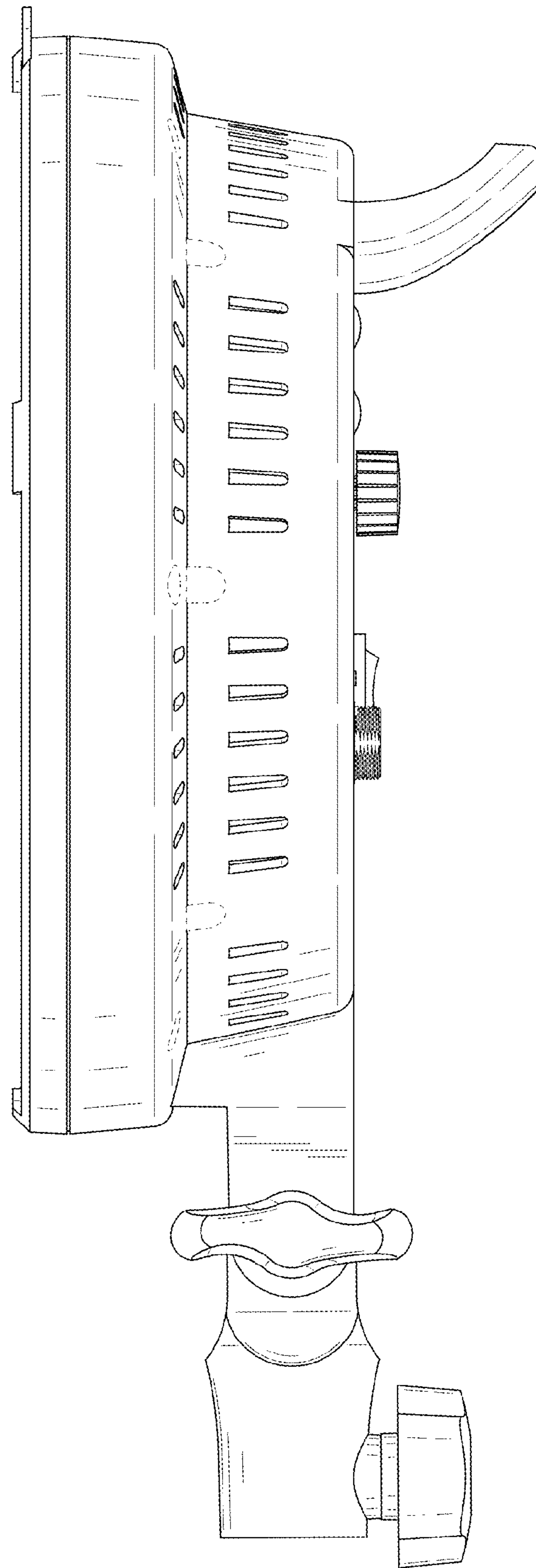


FIG. 6

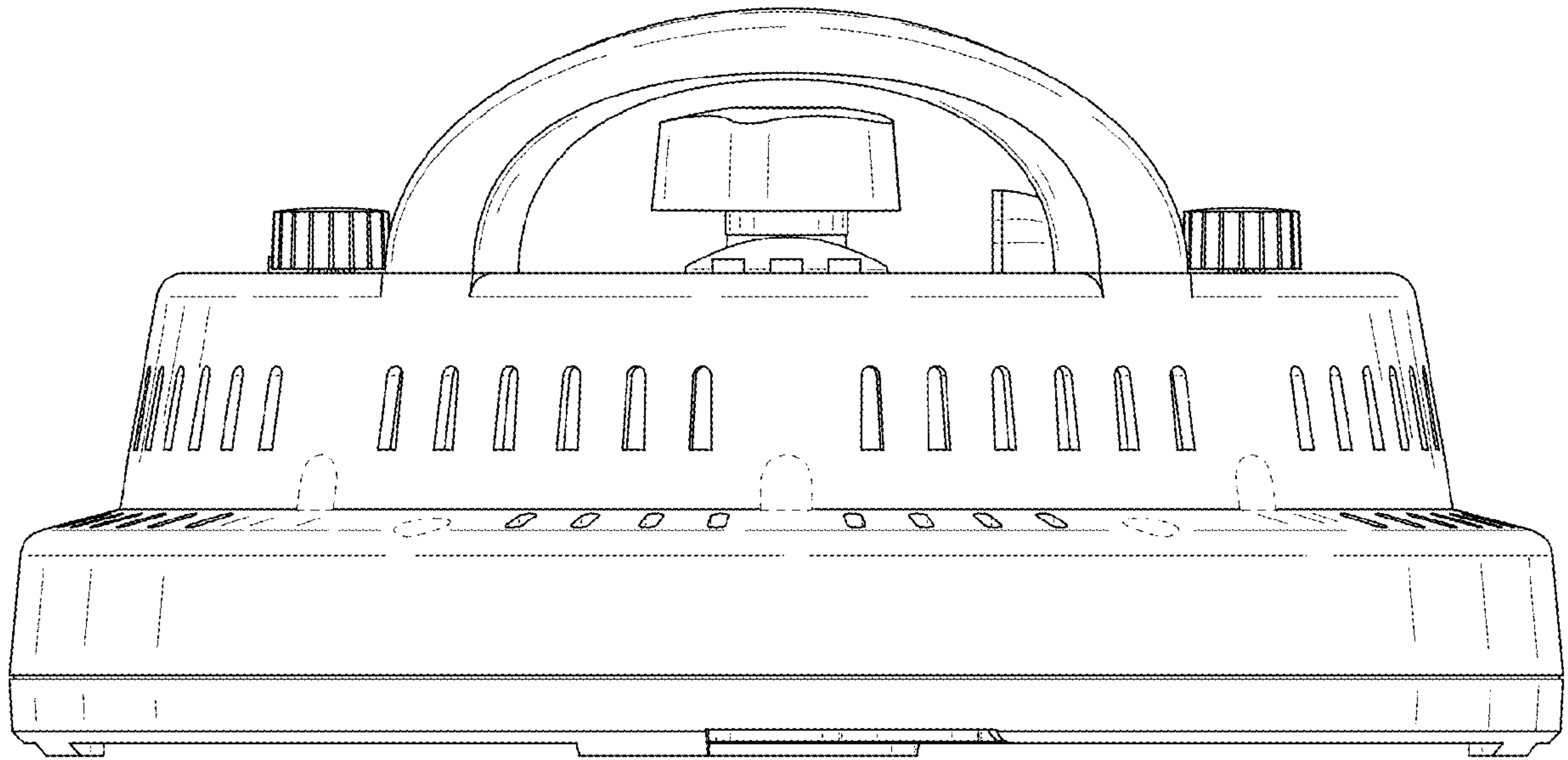


FIG. 7

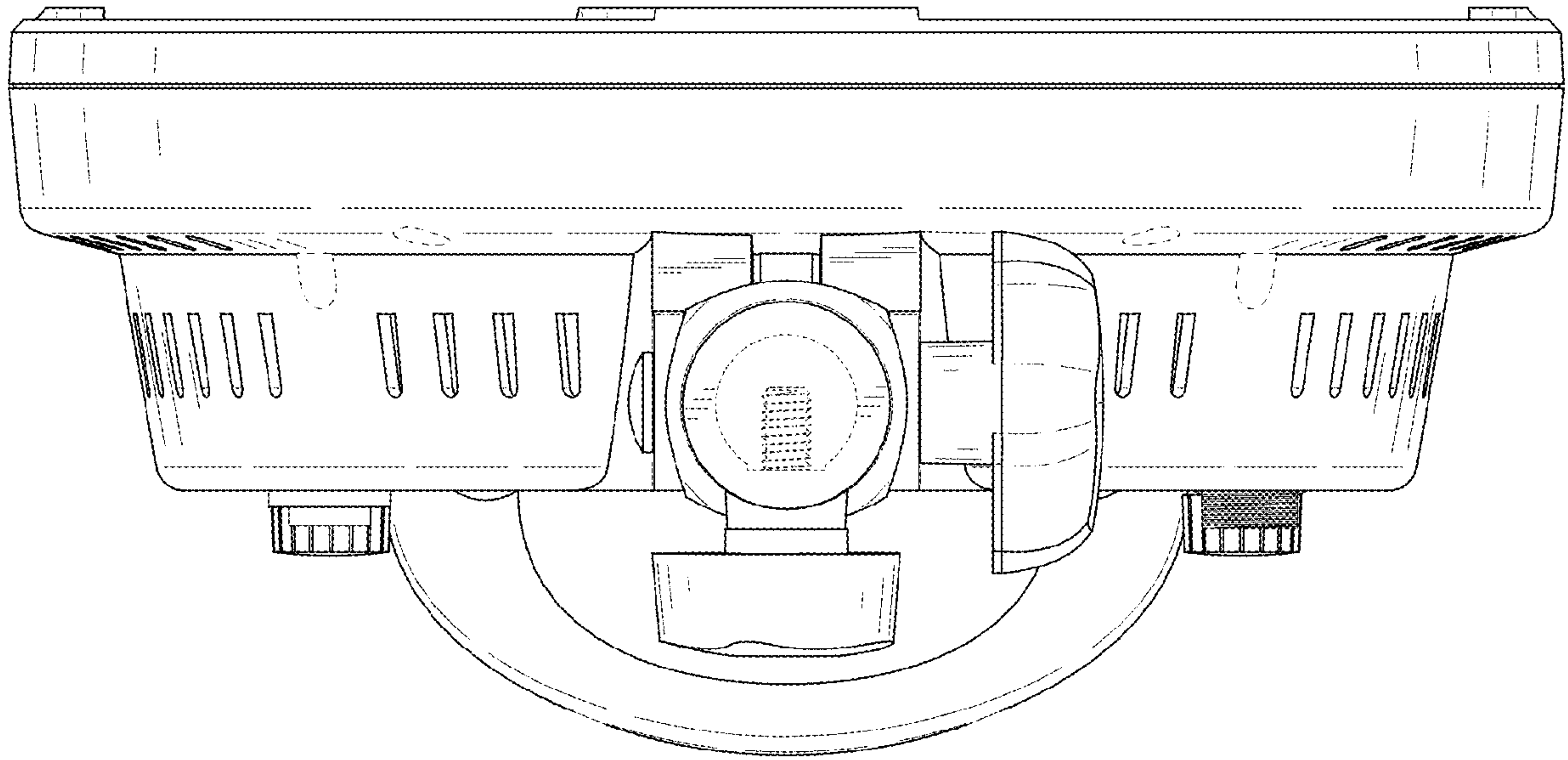


FIG. 8