



US00D961134S

(12) **United States Design Patent** (10) **Patent No.:** **US D961,134 S**
Rozenbergs (45) **Date of Patent:** **** Aug. 16, 2022**

(54) **LAMP FOR PHOTOGRAPHY OR CINEMATOGRAPHY**
(71) Applicant: **Aptolux, SIA**, Talsi (LV)
(72) Inventor: **Alvis Rozenbergs**, Talsi (LV)
(73) Assignee: **APTOLUX, SIA**, Talsi (LV)
(**) Term: **15 Years**

(21) Appl. No.: **35/510,755**
(22) Filed: **Oct. 30, 2020**

(80) **Hague Agreement Data**
Int. Filing Date: **Oct. 30, 2020**
Int. Reg. No.: **DM/211219**
Int. Reg. Date: **Oct. 30, 2020**
Int. Reg. Pub. Date: **Nov. 20, 2020**

(51) **LOC (13) Cl.** **26-05**
(52) **U.S. Cl.**
USPC **D26/37; D16/239**
CPC **A45F 5/00 (2013.01)**

(58) **Field of Classification Search**
USPC D26/24, 37-52, 60, 61, 63, 65, 113;
D16/221, 229, 237, 239, 241, 250
CPC F21Y 2115/10; F21Y 2113/13; A45F 5/00;
A45F 5/10; A45F 2200/0508-0533;
F16M 11/06-10; F16M 11/14; G02B
7/00-002; G02B 25/00; G03B 17/56;
G03B 17/561-566; G03B 21/10-116;
H04N 5/2253-2254
See application file for complete search history.

(56) **References Cited**
U.S. PATENT DOCUMENTS
D205,688 S * 9/1966 Lakin D16/246
D428,661 S * 7/2000 Norman D26/63

D572,402 S * 7/2008 Nakabayashi D26/124
D605,217 S * 12/2009 Kobre D16/237
D623,327 S * 9/2010 Malkanov D26/63
D711,030 S * 8/2014 Zhan D26/65
D711,577 S * 8/2014 Zhan D26/65
D735,922 S * 8/2015 Yamauchi D26/51
D750,692 S * 3/2016 Tirosh D16/237
D768,900 S * 10/2016 Polaczek D26/63
D789,582 S * 6/2017 Peard D26/61
D852,260 S * 6/2019 Peterson D16/239
D857,979 S * 8/2019 Schweid D26/24
D857,980 S * 8/2019 Schweid D26/24
D869,544 S * 12/2019 Zhan D16/237
D872,930 S * 1/2020 Nykolyshyn D26/118
D887,605 S * 6/2020 Zhan D26/61
D905,151 S * 12/2020 Peterson D16/239
D905,900 S * 12/2020 Nykolyshyn D16/237
D908,940 S * 1/2021 Chen D26/63
D925,105 S * 7/2021 Johnson D26/118
D927,760 S * 8/2021 Cao D26/76
D946,645 S * 3/2022 Luo D16/239
D951,504 S * 5/2022 Chen D26/37

* cited by examiner

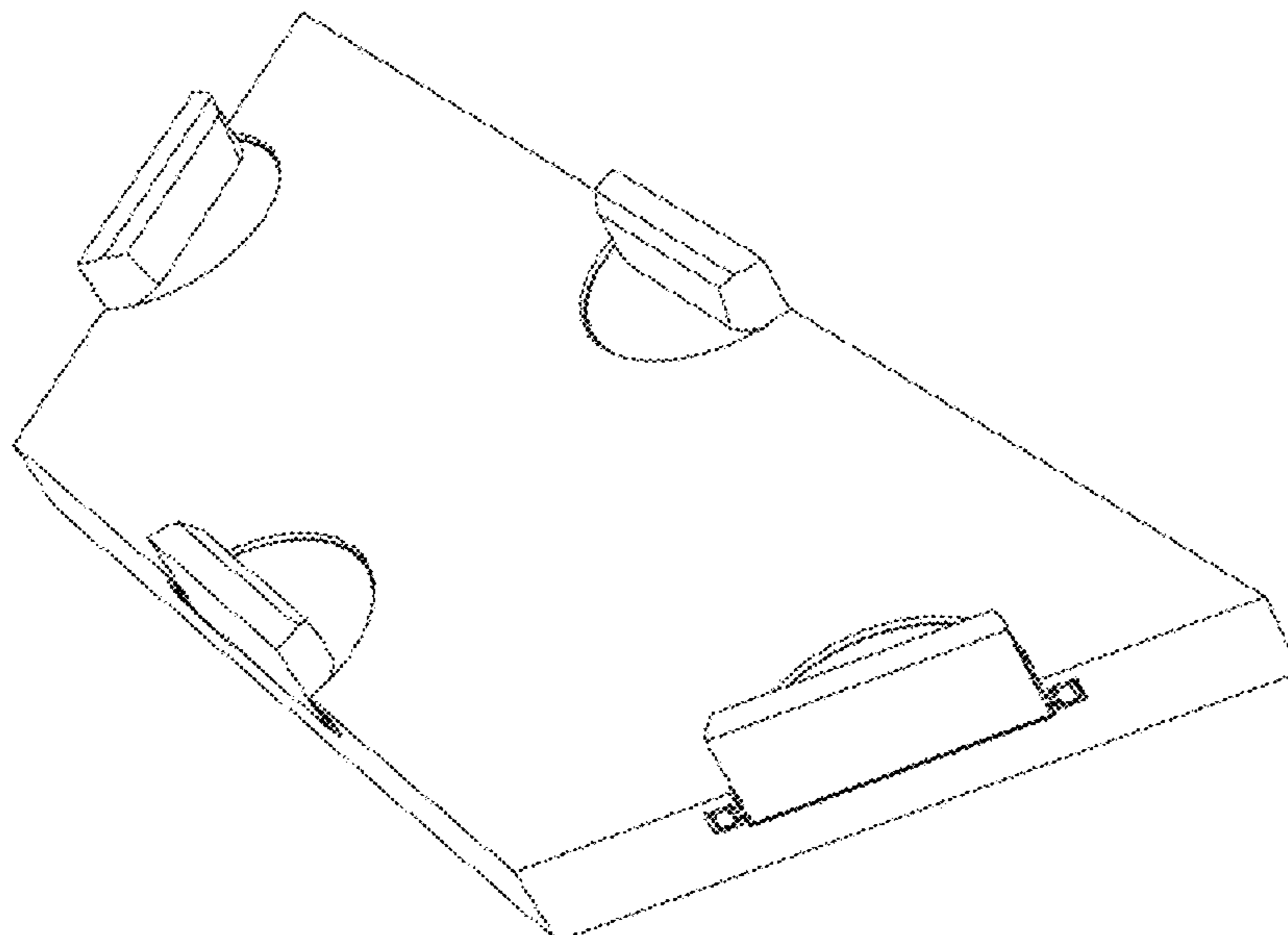
Primary Examiner — Richard E Chilcot
(74) *Attorney, Agent, or Firm* — Timur Slonim; Law Office of Timur E. Slonim, Esq.

(57) **CLAIM**
The ornamental design for a lamp for photography or cinematography, as shown and described.

DESCRIPTION

Fig. 2.1 is a front elevational view of an exemplary embodiment of a lamp in accordance with my new design.
Fig. 2.2 is a left side elevational view thereof.
Fig. 2.3 is a perspective view thereof.
Fig. 2.4 is a back right side view thereof.
Fig. 2.5 is a back elevational view thereof.
Fig. 2.6 is a back perspective view thereof.

1 Claim, 6 Drawing Sheets



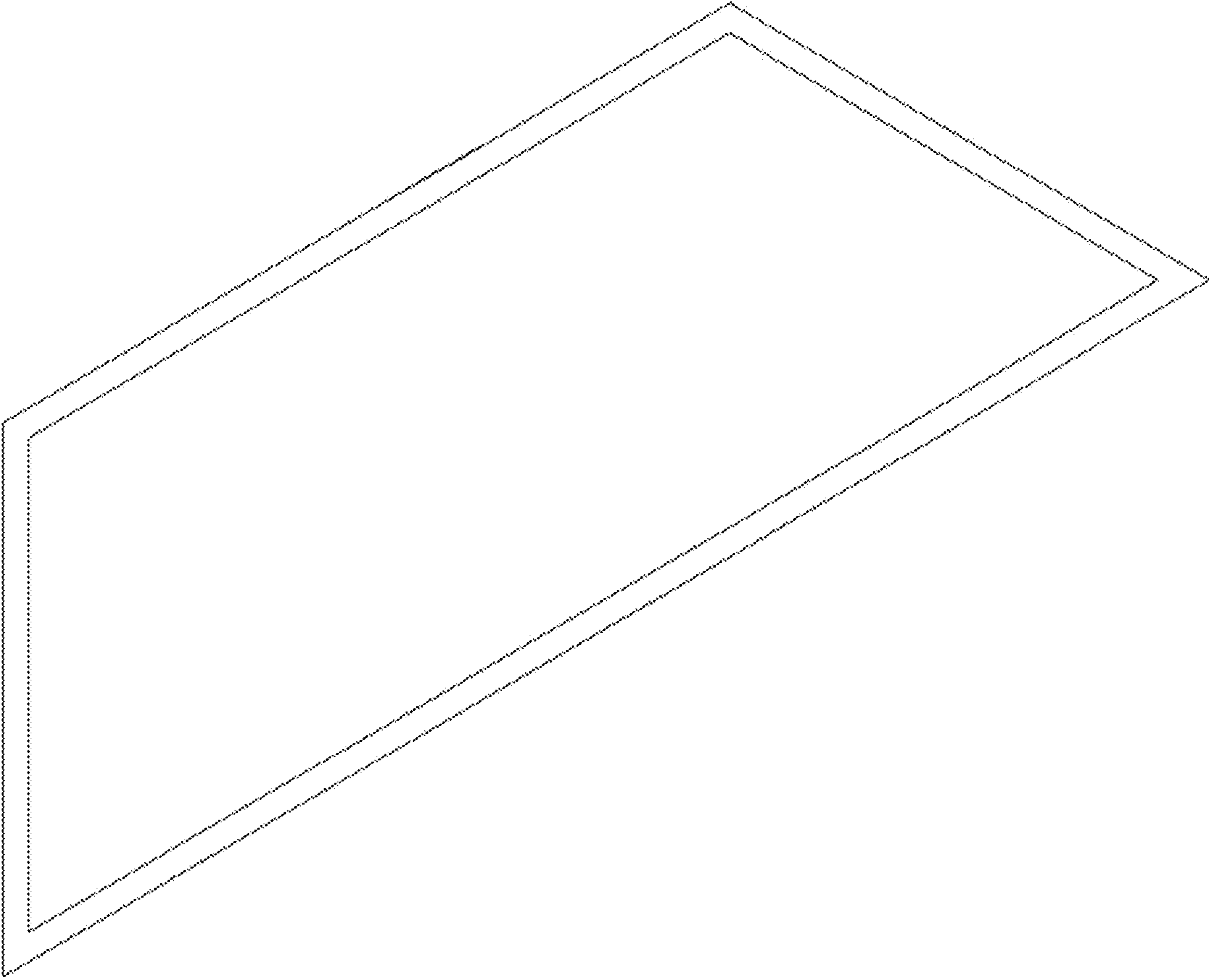


FIG. 2.1

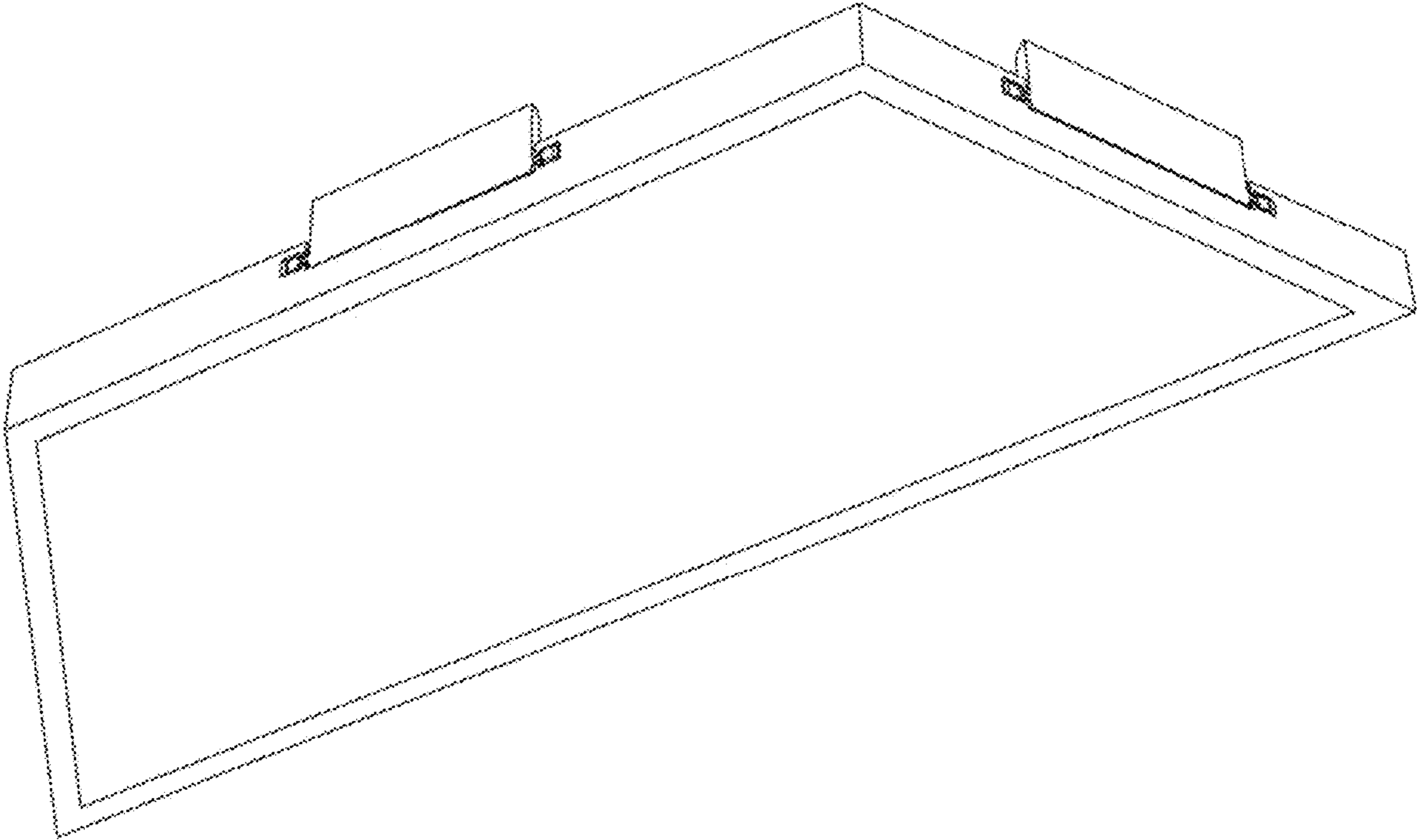


FIG. 2.2

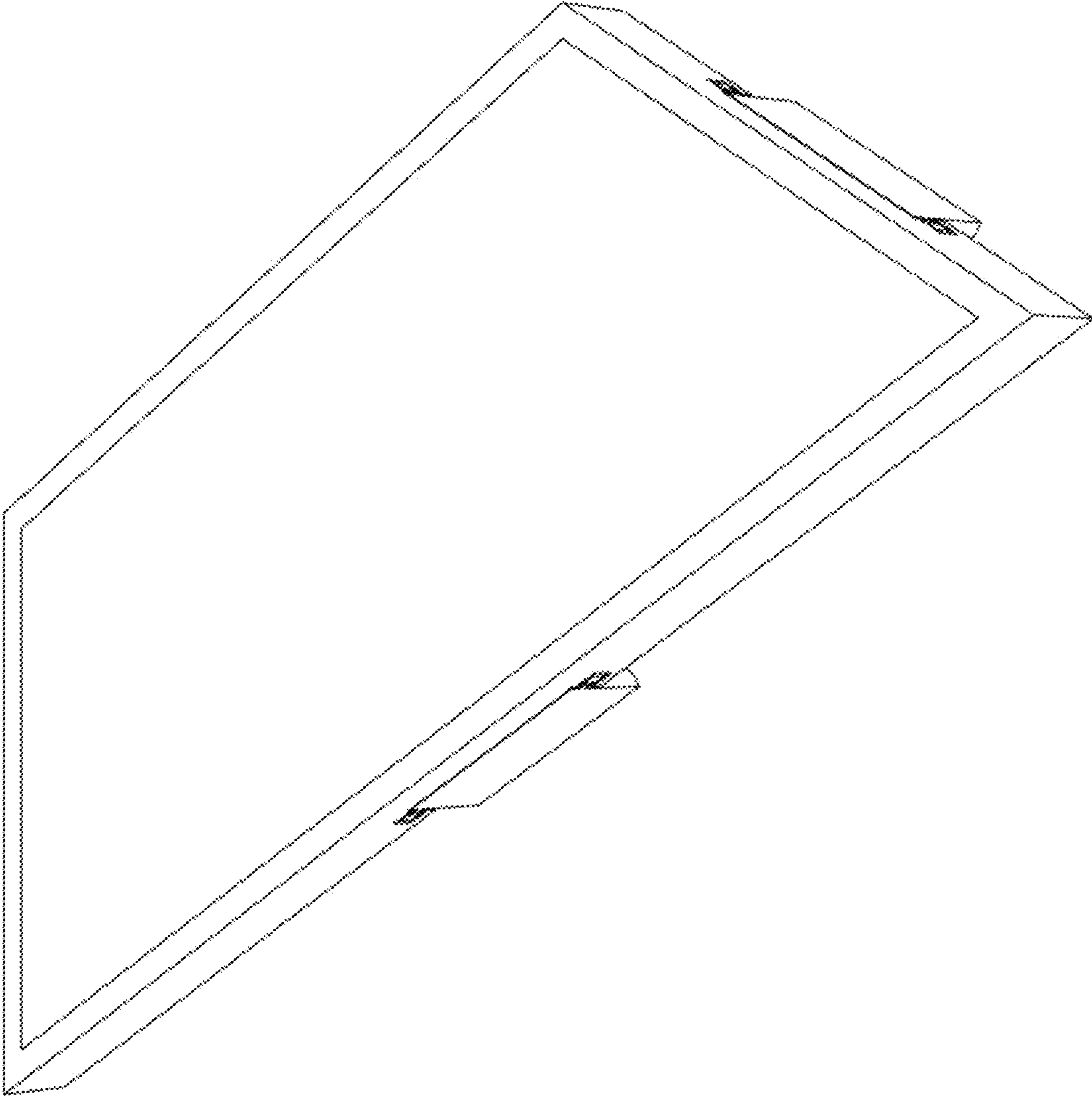


FIG. 2.3

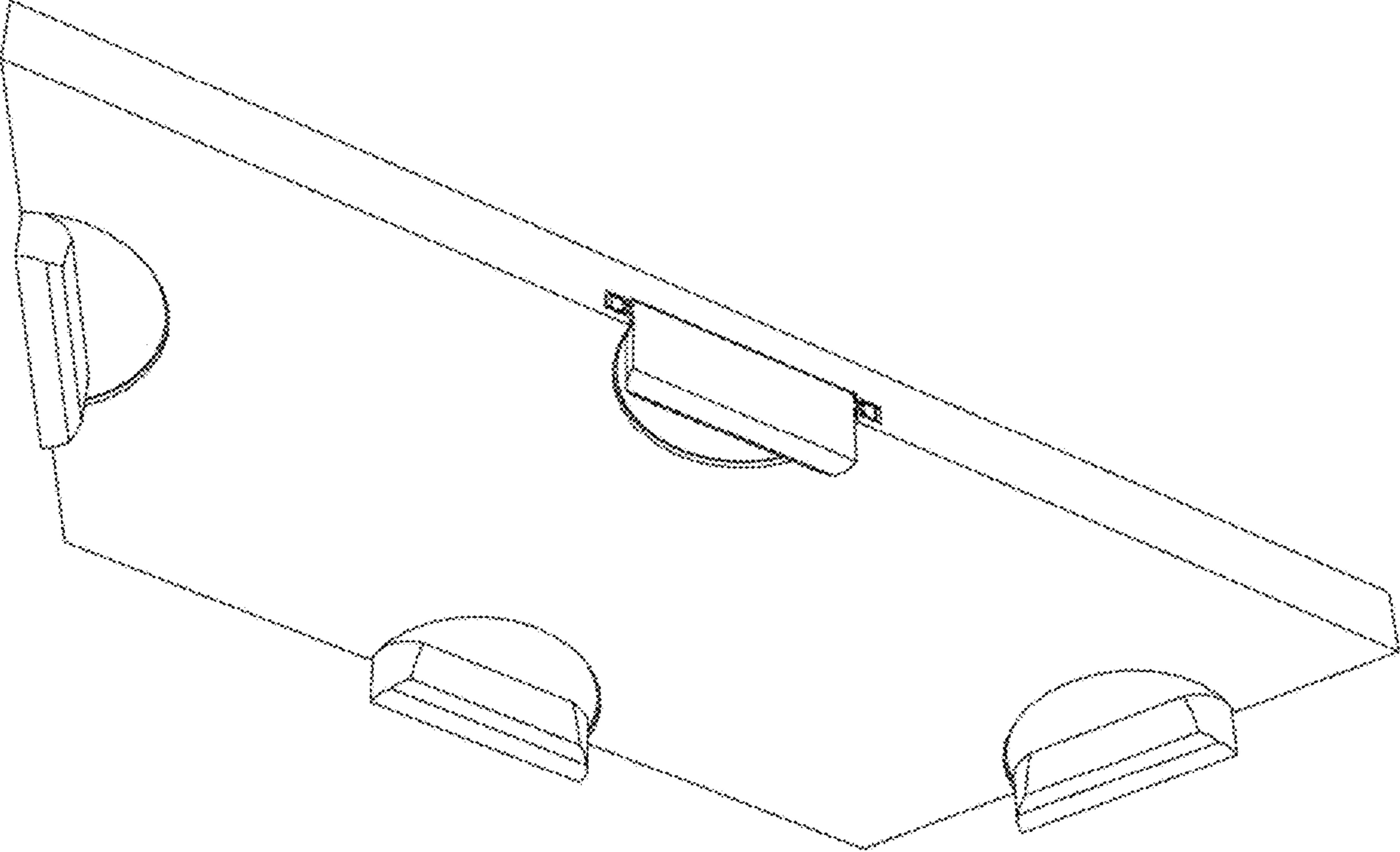


FIG. 2.4

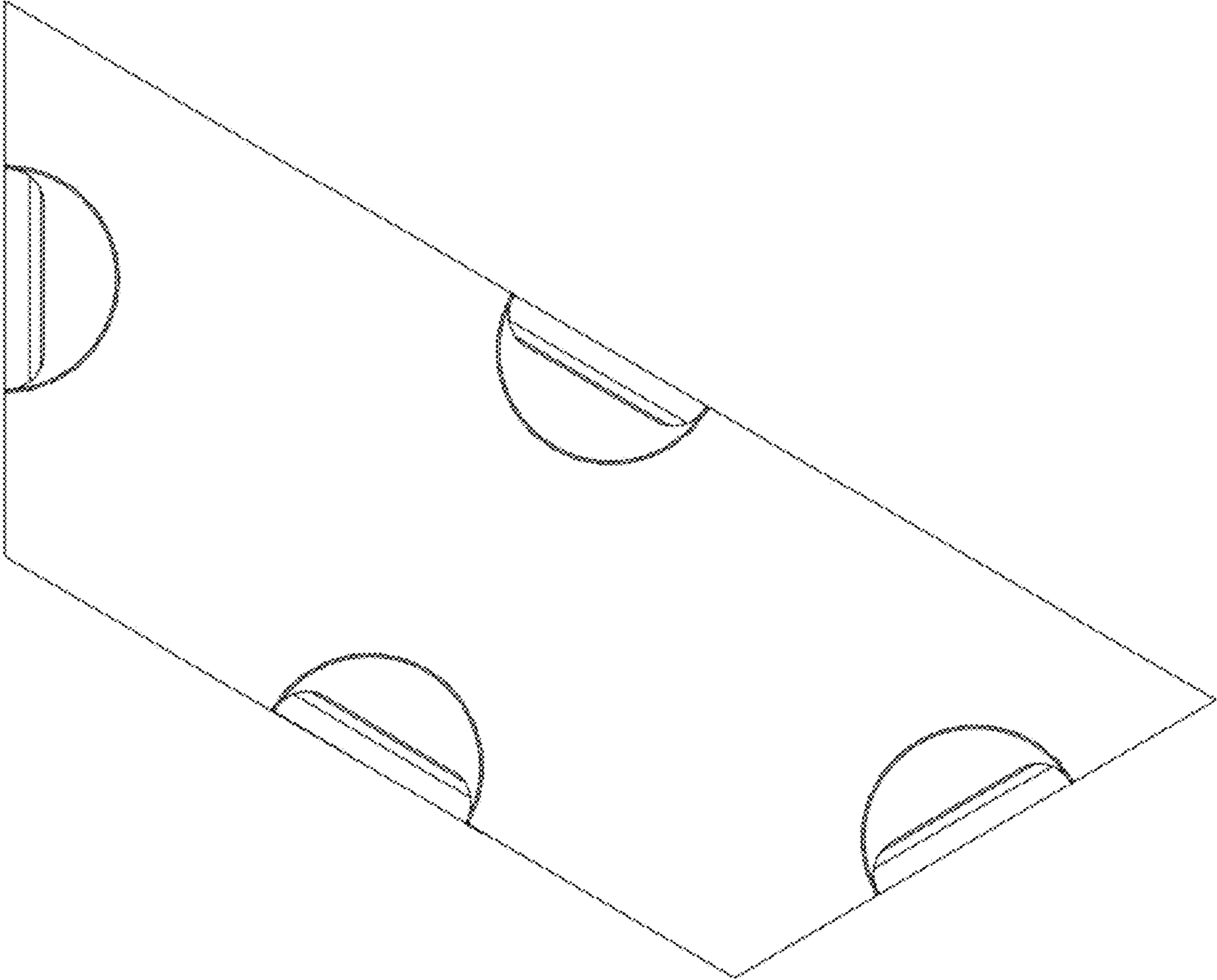


FIG. 2.5

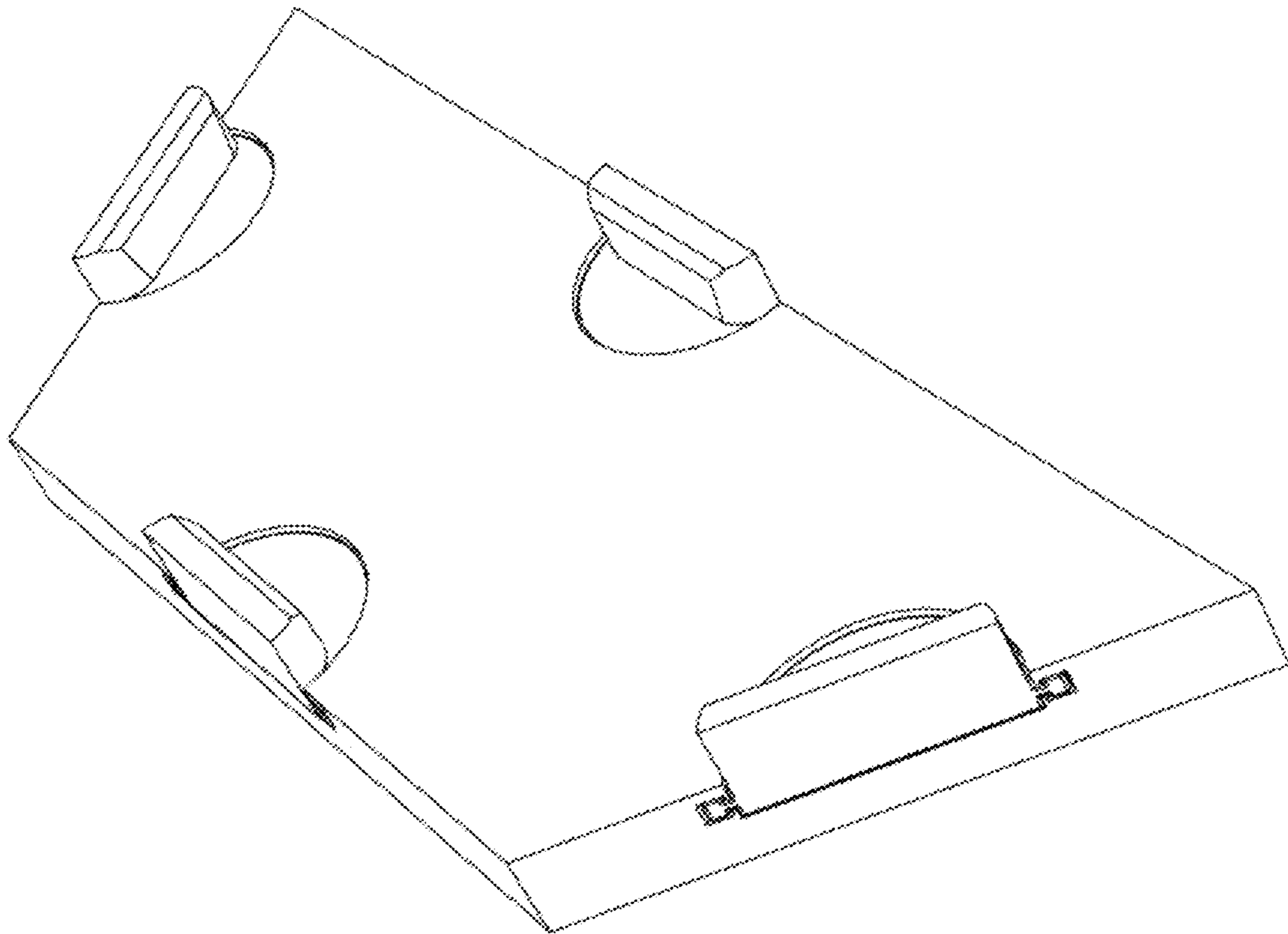


FIG. 2.6