



US00D961131S

(12) **United States Design Patent**
Yeh

(10) **Patent No.:** **US D961,131 S**

(45) **Date of Patent:** **** Aug. 16, 2022**

(54) **HEADLIGHT**

(71) Applicant: **Chunhung Yeh**, Shanghai (CN)

(72) Inventor: **Chunhung Yeh**, Shanghai (CN)

(**) Term: **15 Years**

(21) Appl. No.: **29/821,984**

(22) Filed: **Jan. 5, 2022**

(51) **LOC (13) Cl.** **26-06**

(52) **U.S. Cl.**
USPC **D26/28**

(58) **Field of Classification Search**

USPC D26/28-36, 139
CPC F21S 48/00; F21S 48/10; F21S 48/115;
F21S 48/225; F21S 48/1233; F21S
48/1266; F21S 48/1388; F21S 48/2268;
F21V 5/00; F21V 21/04; F21V 29/004;
B60Q 9/13; B60Q 9/135; B60Q 9/1375;
F21W 2102/17; F21W 2103/00; F21W
2103/35; F21W 2103/55; F21W 2107/13;
F21W 2107/17

See application file for complete search history.

(56) **References Cited**

U.S. PATENT DOCUMENTS

D783,189 S * 4/2017 Nishii D26/28
D787,726 S * 5/2017 Hong D26/28

D788,956 S * 6/2017 Hong D26/28
D792,622 S * 7/2017 Briscoe D26/28
D794,851 S * 8/2017 Youn D26/28
D827,885 S * 9/2018 Hannemann D26/28
D828,590 S * 9/2018 Hannemann D26/28
D829,947 S * 10/2018 Jung D26/28
D939,117 S 12/2021 Dos Santos et al.

* cited by examiner

Primary Examiner — Marcus A Jackson

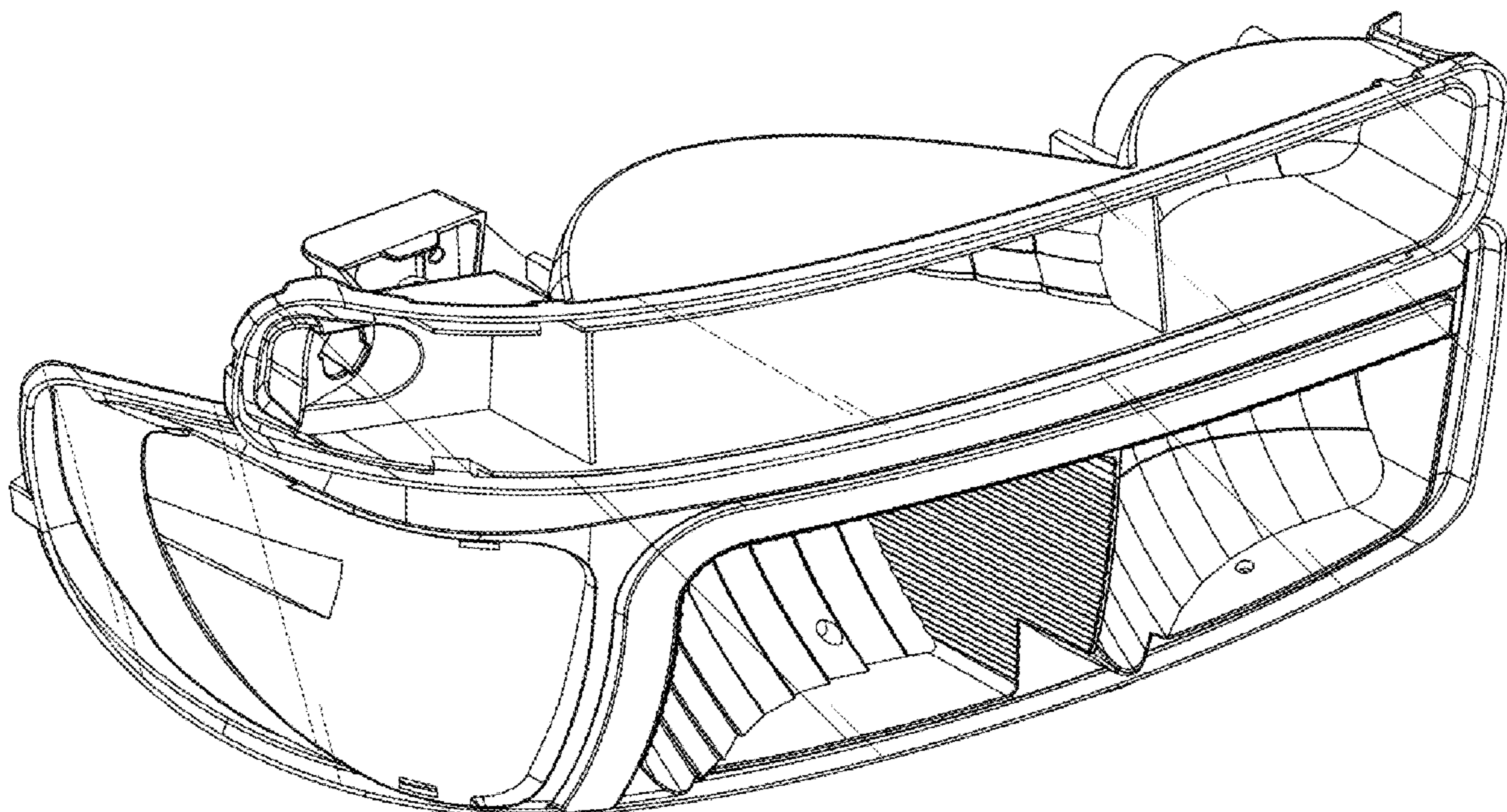
(57) **CLAIM**

The ornamental design for a headlight, as shown and described.

DESCRIPTION

FIG. 1 is a front perspective view of headlight, showing my new design;
FIG. 2 is a front view thereof;
FIG. 3 is a rear view thereof;
FIG. 4 is a left side view thereof;
FIG. 5 is a right side view thereof;
FIG. 6 is a top view thereof; and,
FIG. 7 is a bottom view thereof.

1 Claim, 7 Drawing Sheets



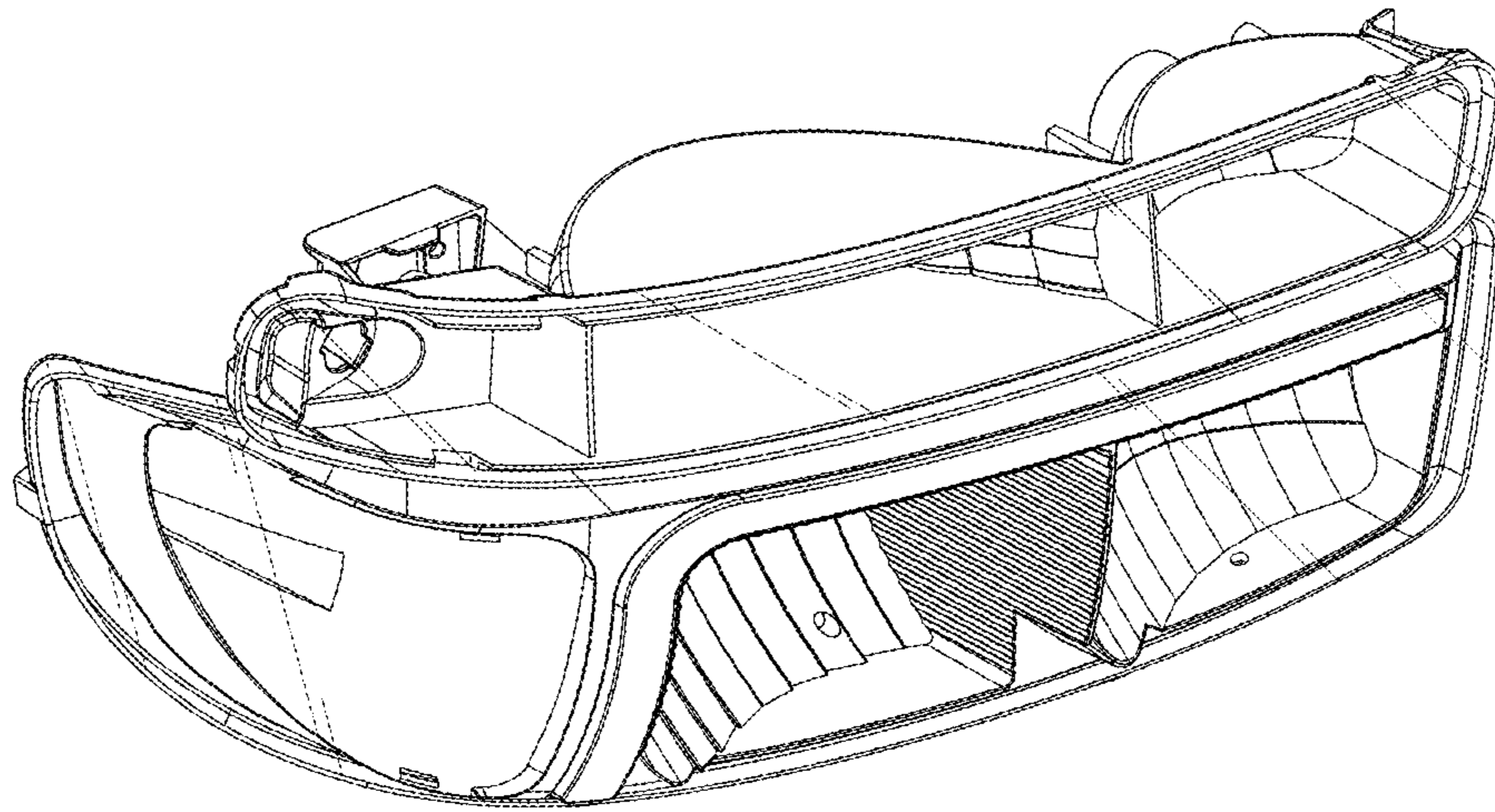


FIG. 1

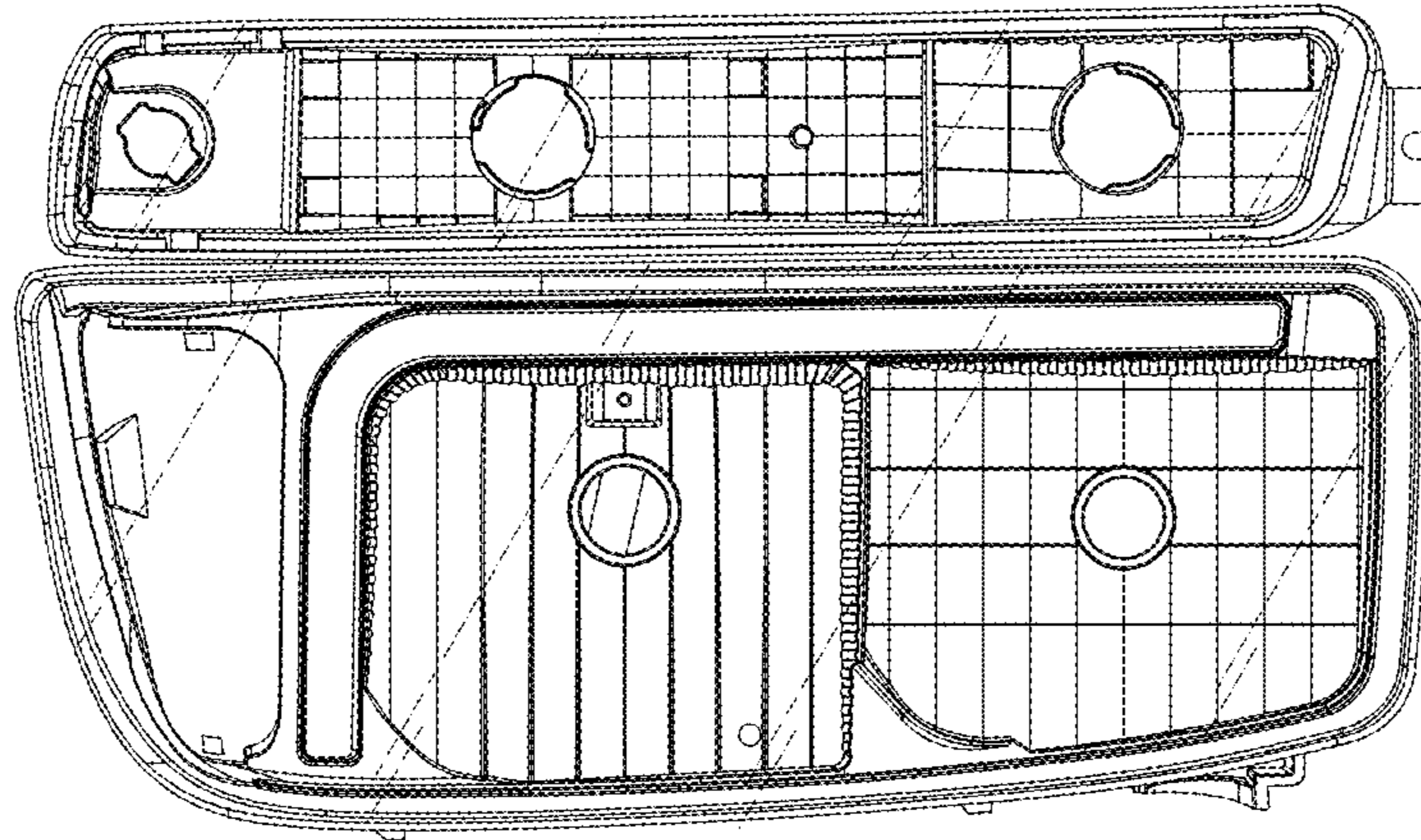


FIG. 2

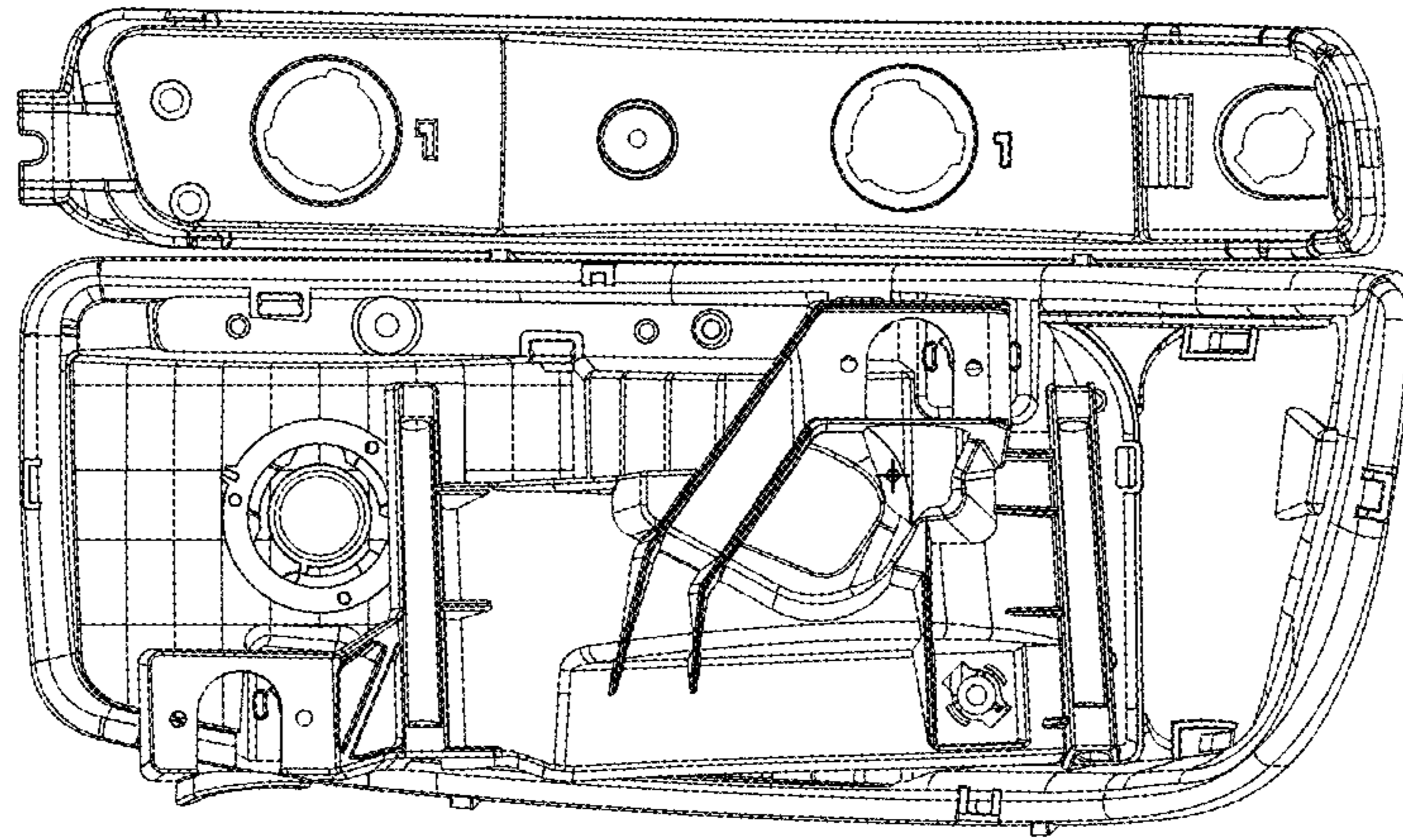


FIG. 3

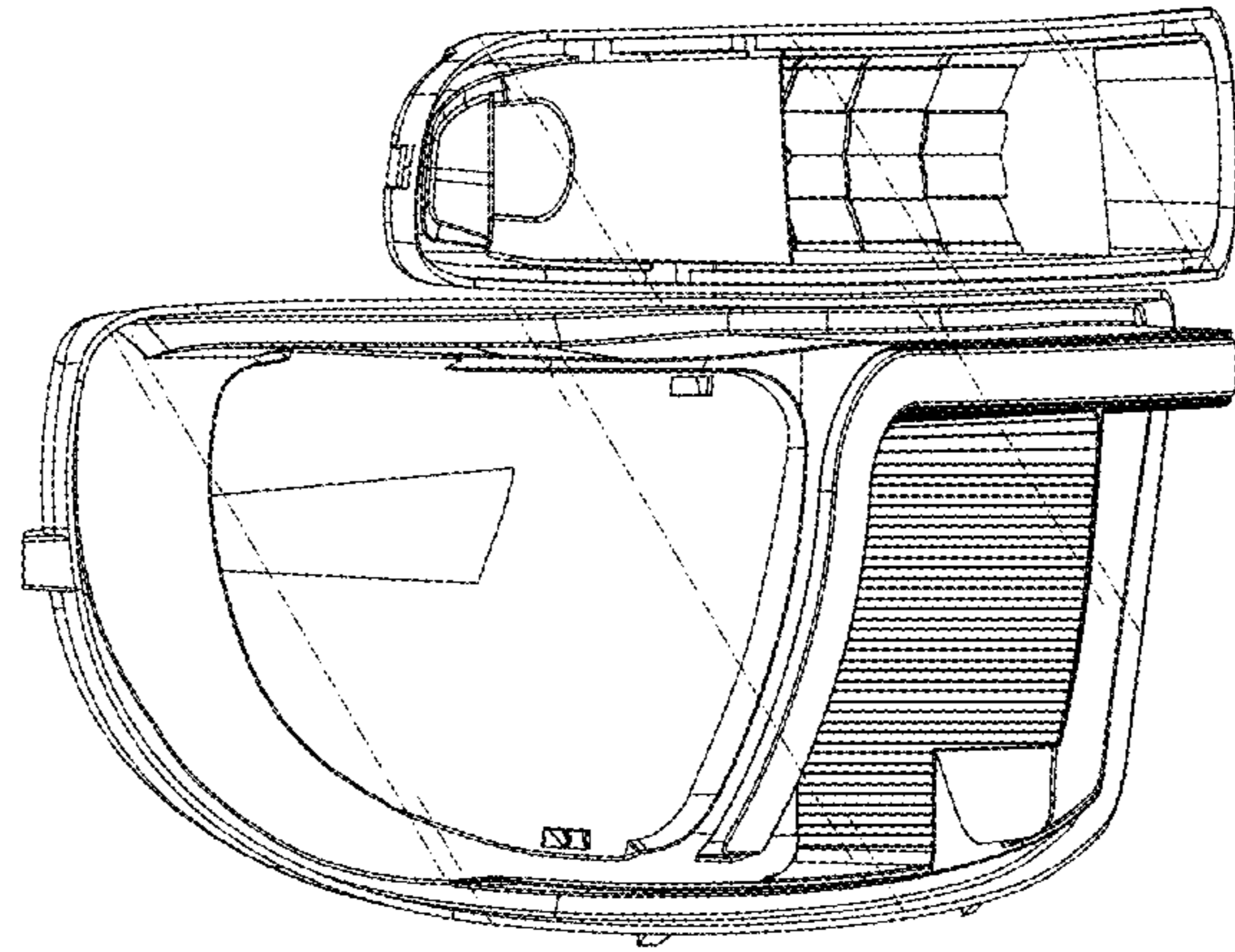


FIG. 4

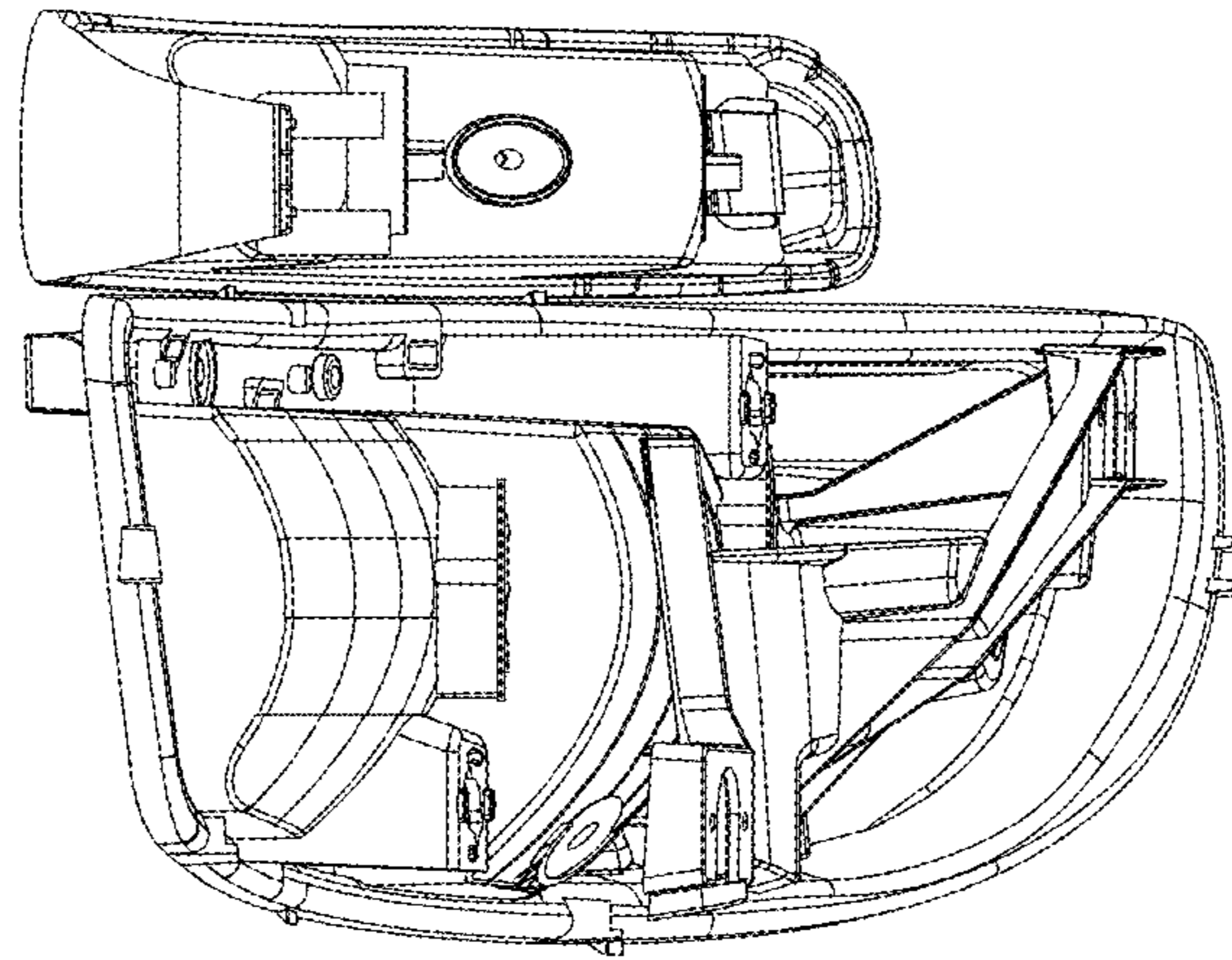


FIG. 5

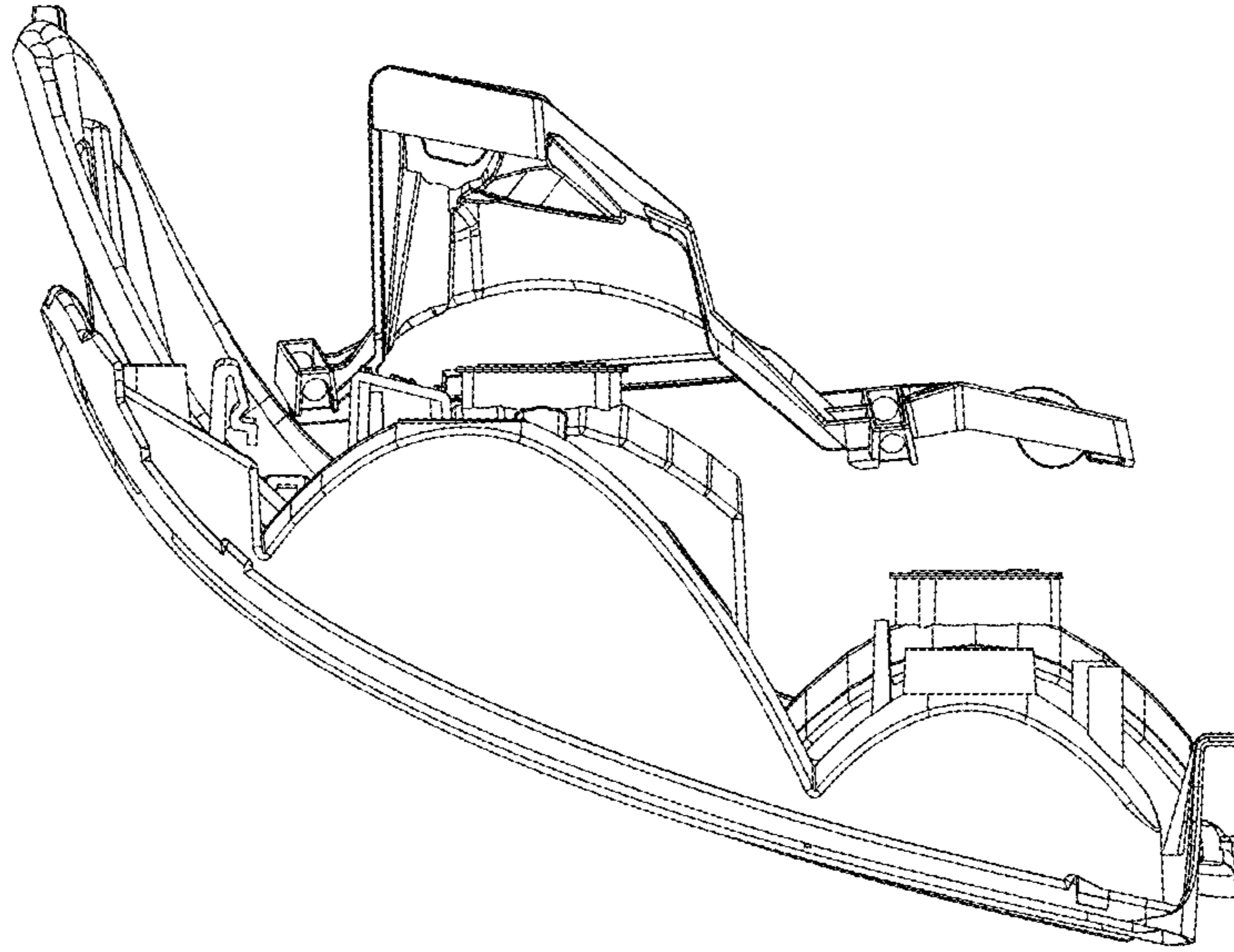


FIG. 6

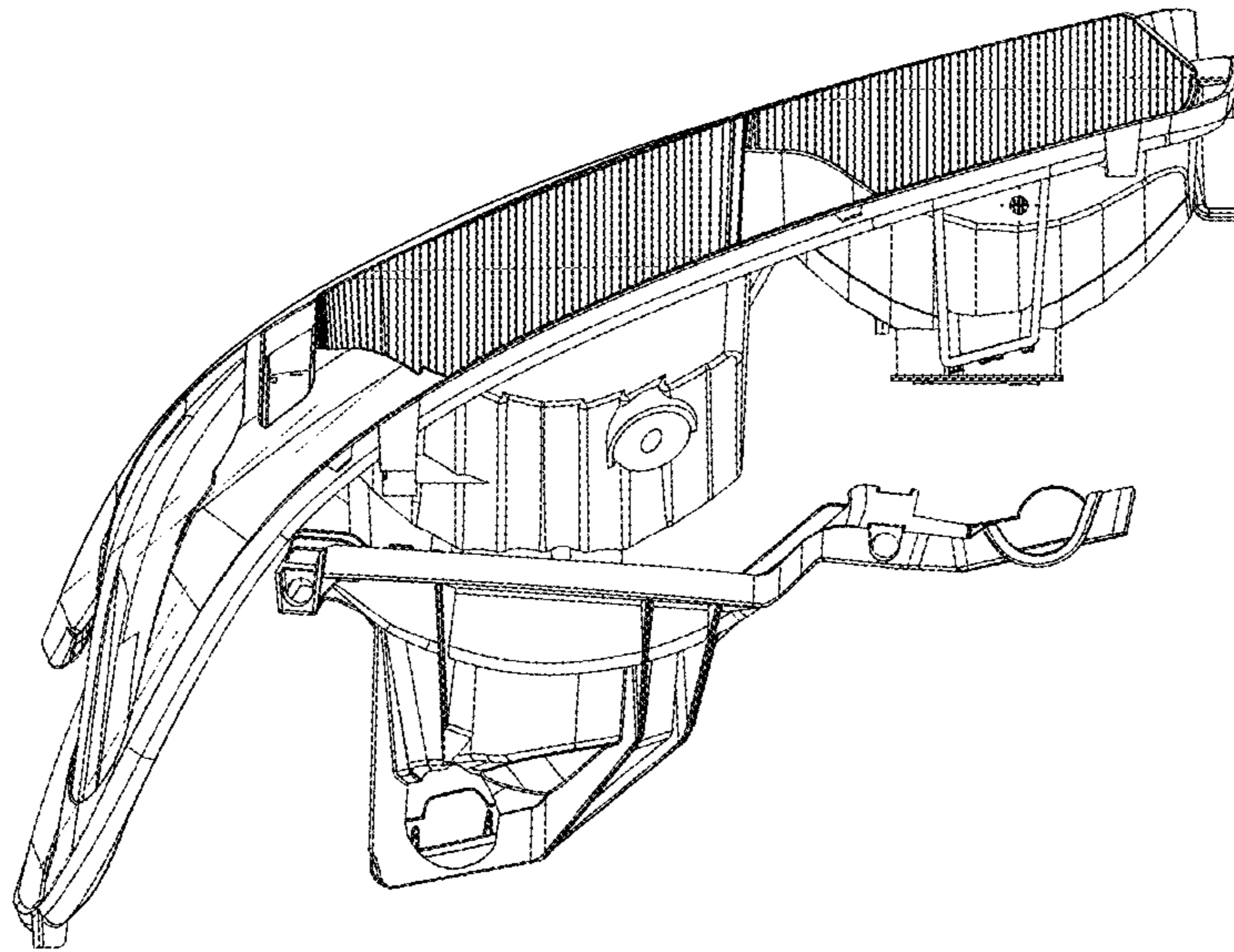


FIG. 7