

US00D961128S

(12) **United States Design Patent** (10) **Patent No.:** **US D961,128 S**
Schmeckpeper (45) **Date of Patent:** **** Aug. 16, 2022**

- (54) **VEHICLE TAILLAMP**
- (71) Applicant: **GM GLOBAL TECHNOLOGY OPERATIONS LLC**, Detroit, MI (US)
- (72) Inventor: **Daniel E. Schmeckpeper**, Clarkston, MI (US)
- (73) Assignee: **GM Global Technology Operations LLC**, Detroit, MI (US)
- (**) Term: **15 Years**
- (21) Appl. No.: **29/770,469**
- (22) Filed: **Feb. 12, 2021**
- (51) **LOC (13) Cl.** **26-06**
- (52) **U.S. Cl.**
USPC **D26/28**
- (58) **Field of Classification Search**
USPC D26/28-36, 139
CPC F21S 48/00; F21S 48/10; F21S 48/115;
F21S 48/225; F21S 48/1233; F21S 48/1266; F21S 48/1388; F21S 48/2268;
F21V 5/00; F21V 21/04; F21V 29/004;
B60Q 9/13; B60Q 9/135; B60Q 9/1375;
F21W 2102/17; F21W 2103/00; F21W 2103/35; F21W 2103/55; F21W 2107/13;
F21W 2107/17
See application file for complete search history.

- D736,451 S 8/2015 Smith et al.
- D744,158 S 11/2015 Willett et al.
- D745,719 S 12/2015 Boniface et al.
- D745,725 S 12/2015 McMahan et al.
- D745,726 S 12/2015 McMahan et al.
- D747,514 S 1/2016 McMahan et al.
- D747,515 S 1/2016 McMahan et al.
- D747,819 S 1/2016 Thole et al.
- D749,246 S 2/2016 Thole et al.
- D749,249 S 2/2016 Thole et al.
- D749,250 S 2/2016 Thole et al.
- D773,084 S 11/2016 Kapitonov
- D773,086 S 11/2016 McCabe et al.
- D774,226 S 12/2016 McCabe et al.
- D776,841 S 1/2017 Kozub et al.
- D776,843 S 1/2017 McCabe et al.
- D776,846 S 1/2017 Willett et al.
- D777,359 S 1/2017 Kozub et al.
- D777,360 S 1/2017 Kozub et al.
- D777,361 S 1/2017 Kozub et al.
- D777,955 S 1/2017 Willett et al.

(Continued)

Primary Examiner — Marcus A Jackson

(57) **CLAIM**

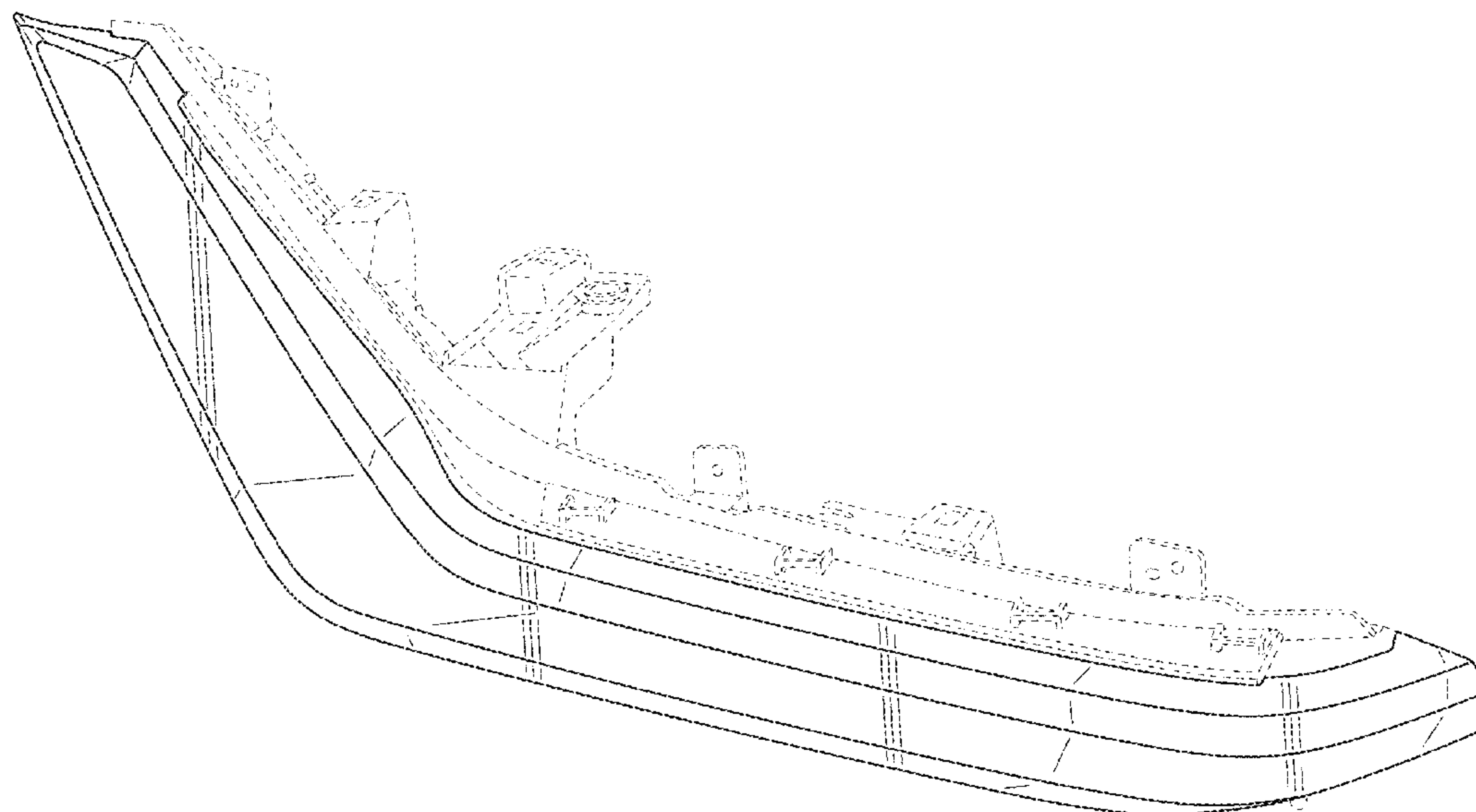
The ornamental design for a vehicle taillamp, as shown and described.

DESCRIPTION

FIG. 1 is a front and left perspective view of a vehicle taillamp showing my new design; the mirror image of the vehicle taillamp is claimed, but not shown;
 FIG. 2 is a front elevation view of the vehicle taillamp of FIG. 1;
 FIG. 3 is a left elevation view thereof;
 FIG. 4 is a right elevation view thereof;
 FIG. 5 is a back elevation view thereof;
 FIG. 6 is a top view thereof; and,
 FIG. 7 is a bottom view thereof.
 The broken lines in the drawings depict portions of the vehicle taillamp that form no part of the claimed design.

1 Claim, 7 Drawing Sheets

- (56) **References Cited**
U.S. PATENT DOCUMENTS
- D528,235 S * 9/2006 Kato D26/28
- D536,808 S * 2/2007 Hsu D26/28
- D537,964 S * 3/2007 Ishiguro D26/28
- D573,280 S * 7/2008 Hiranaka D26/28
- D594,441 S 6/2009 Lee et al.
- D692,599 S * 10/2013 Kim D26/28
- D700,982 S * 3/2014 Kim D26/28
- D701,983 S * 4/2014 Kong D26/28



(56)

References Cited

U.S. PATENT DOCUMENTS

D784,579 S	4/2017	Cheng et al.	D857,944 S	8/2019	Pinazzo et al.
D793,590 S	8/2017	Kozub et al.	D857,945 S	8/2019	Smith et al.
D793,591 S	8/2017	Kozub et al.	D857,946 S	8/2019	Smith et al.
D794,229 S	8/2017	Barry	D857,947 S	8/2019	Koo et al.
D794,230 S	8/2017	Kozub	D857,948 S	8/2019	Koo et al.
D796,088 S	8/2017	McCabe et al.	D857,949 S	8/2019	Smith et al.
D796,093 S	8/2017	Mainville	D857,950 S	8/2019	Zipfel
D797,967 S	9/2017	Barry	D857,951 S	8/2019	Whitla et al.
D797,970 S	9/2017	Mainville	D857,952 S	8/2019	Smith et al.
D797,971 S	9/2017	Mainville	D858,813 S	9/2019	Datta
D797,972 S	9/2017	Whitla et al.	D858,814 S	9/2019	Burns
D799,728 S	10/2017	Whitla et al.	D858,817 S	9/2019	Henriques
D801,577 S	10/2017	Ruiz	D858,818 S	9/2019	McMahan et al.
D818,156 S	5/2018	Kim et al.	D858,819 S	9/2019	McMahan et al.
D818,157 S	5/2018	Zipfel et al.	D858,820 S	9/2019	McMahan et al.
D818,158 S	5/2018	Zipfel et al.	D858,821 S	9/2019	Park
D818,159 S	5/2018	Zipfel et al.	D858,822 S	9/2019	Whitla et al.
D818,160 S	5/2018	Perkins	D858,823 S	9/2019	Zipfel
D821,617 S	6/2018	Perkins	D858,824 S	9/2019	Pinazzo et al.
D825,083 S	8/2018	Perkins	D859,707 S	9/2019	McMahan et al.
D826,435 S	8/2018	Kim	D859,708 S	9/2019	Kozub
D828,935 S	9/2018	Hochmuth	D859,709 S	9/2019	Zipfel
D830,589 S	10/2018	Henriques	D860,489 S	9/2019	Henriques
D837,424 S	1/2019	Whitla et al.	D860,490 S	9/2019	Henriques
D838,015 S	1/2019	McMahan et al.	D863,625 S	10/2019	Kim
D838,016 S	1/2019	McMahan et al.	D863,629 S	10/2019	Whitla et al.
D838,390 S	1/2019	McMahan et al.	D863,630 S	10/2019	Whitla et al.
D838,391 S	1/2019	McMahan et al.	D863,662 S	10/2019	Yong et al.
D839,460 S	1/2019	Zipfel et al.	D863,664 S	10/2019	Kozub
D840,068 S	2/2019	Zipfel et al.	D864,441 S	10/2019	Perkins
D840,069 S	2/2019	Perkins	D868,302 S	11/2019	Hochmuth
D840,565 S	2/2019	Whitla et al.	D868,357 S	11/2019	De Leon
D840,570 S	2/2019	Kim et al.	D869,015 S	12/2019	Pinazzo et al.
D840,571 S	2/2019	Zipfel et al.	D869,026 S	12/2019	Zipfel
D840,572 S	2/2019	Perkins	D869,027 S	12/2019	Zipfel
D841,843 S	2/2019	Park	D869,028 S	12/2019	Zipfel
D841,844 S	2/2019	Perkins	D874,029 S	1/2020	Mack et al.
D841,845 S	2/2019	Park	D874,030 S	1/2020	Mack et al.
D843,023 S	3/2019	Whitla et al.	D874,033 S	1/2020	Park Cheng et al.
D843,024 S	3/2019	Hochmuth	D874,034 S	1/2020	Schmeckpeper
D843,025 S	3/2019	Smith et al.	D874,035 S	1/2020	Park Cheng et al.
D843,614 S	3/2019	Whitla et al.	D874,053 S	1/2020	Zipfel
D843,616 S	3/2019	Smith et al.	D874,693 S	2/2020	Blanski et al.
D843,617 S	3/2019	Smith et al.	D874,697 S	2/2020	Schmeckpeper
D844,184 S	3/2019	Whitla et al.	D875,281 S	2/2020	Schmeckpeper
D844,185 S	3/2019	Hochmuth	D876,690 S	2/2020	Schmeckpeper
D844,186 S	3/2019	Smith et al.	D877,369 S	3/2020	Thurber et al.
D845,518 S	4/2019	Kozub	D877,376 S	3/2020	Cheng et al.
D845,519 S	4/2019	Zipfel	D877,377 S	3/2020	Cheng et al.
D846,769 S	4/2019	Koo et al.	D877,941 S	3/2020	Thurber et al.
D846,770 S	4/2019	Kozub	D884,939 S	5/2020	Kozub
D846,771 S	4/2019	Zipfel	D885,618 S	5/2020	Mack et al.
D846,772 S	4/2019	Pinazzo et al.	D887,591 S	6/2020	Mack et al.
D847,390 S	4/2019	Koo et al.	D887,596 S	6/2020	Pinazzo et al.
D847,391 S	4/2019	Pinazzo et al.	D894,438 S	8/2020	Park Cheng et al.
D847,392 S	4/2019	Zipfel	D894,439 S	8/2020	Izard
D848,647 S	5/2019	Kozub	D894,440 S	8/2020	Koo et al.
D852,389 S	6/2019	Koo et al.	D895,859 S	9/2020	Izard
D852,393 S	6/2019	Whitla et al.	D897,013 S	9/2020	Cheng et al.
D857,936 S	8/2019	Kil et al.	D903,159 S	11/2020	Zipfel
D857,938 S	8/2019	Blanski et al.	D903,160 S	11/2020	Zipfel
D857,939 S	8/2019	Kozub	D903,161 S	11/2020	Zipfel
D857,940 S	8/2019	Park	D903,163 S	11/2020	Choi et al.
D857,941 S	8/2019	Whitla et al.	D903,164 S	11/2020	Choi et al.
D857,942 S	8/2019	Perkins	D903,165 S	11/2020	Choi et al.
D857,943 S	8/2019	Hochmuth	D903,166 S	11/2020	Choi et al.
			D903,167 S	11/2020	Choi et al.
			D903,168 S	11/2020	Choi et al.

* cited by examiner

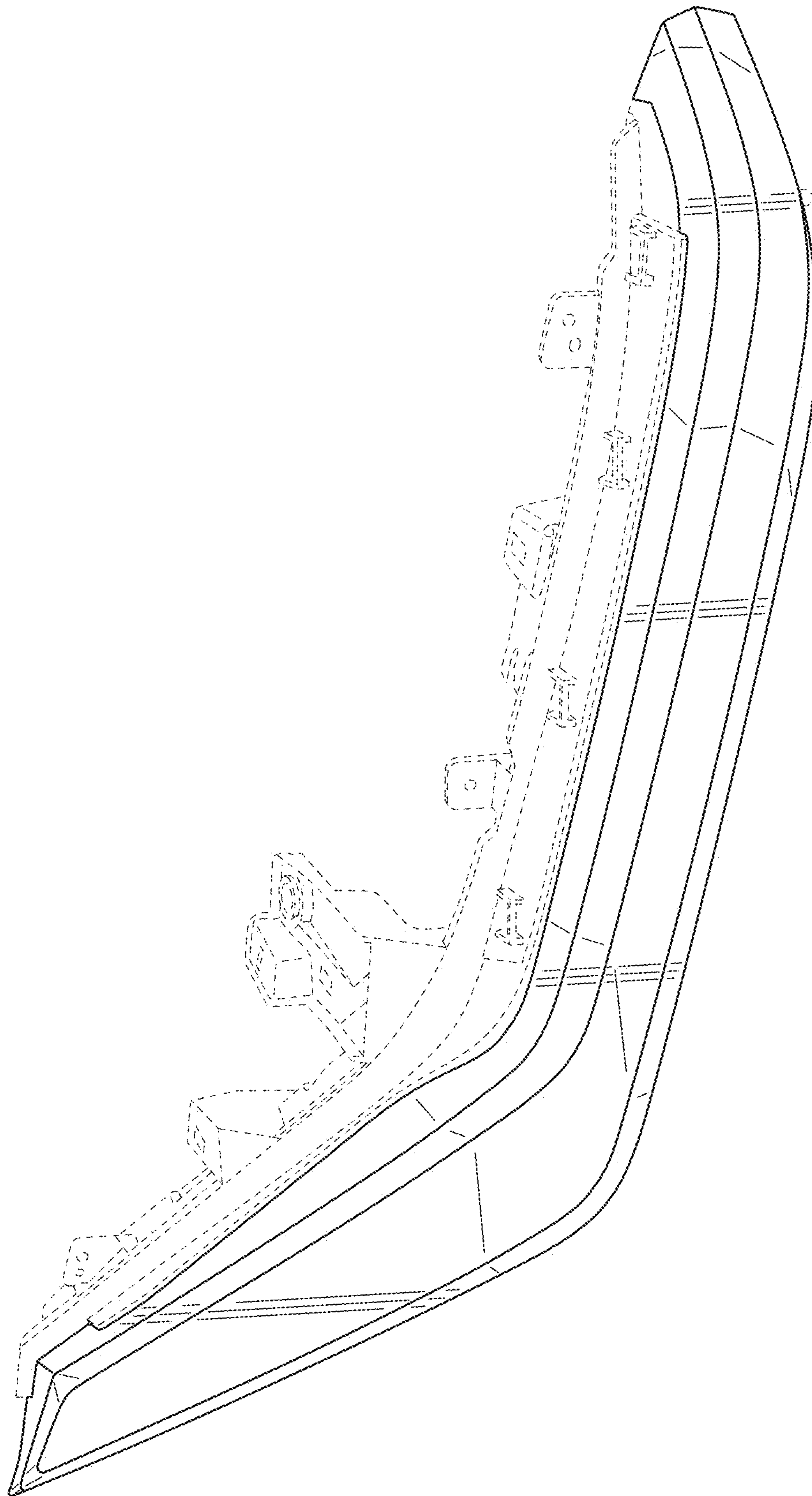


FIG. 1

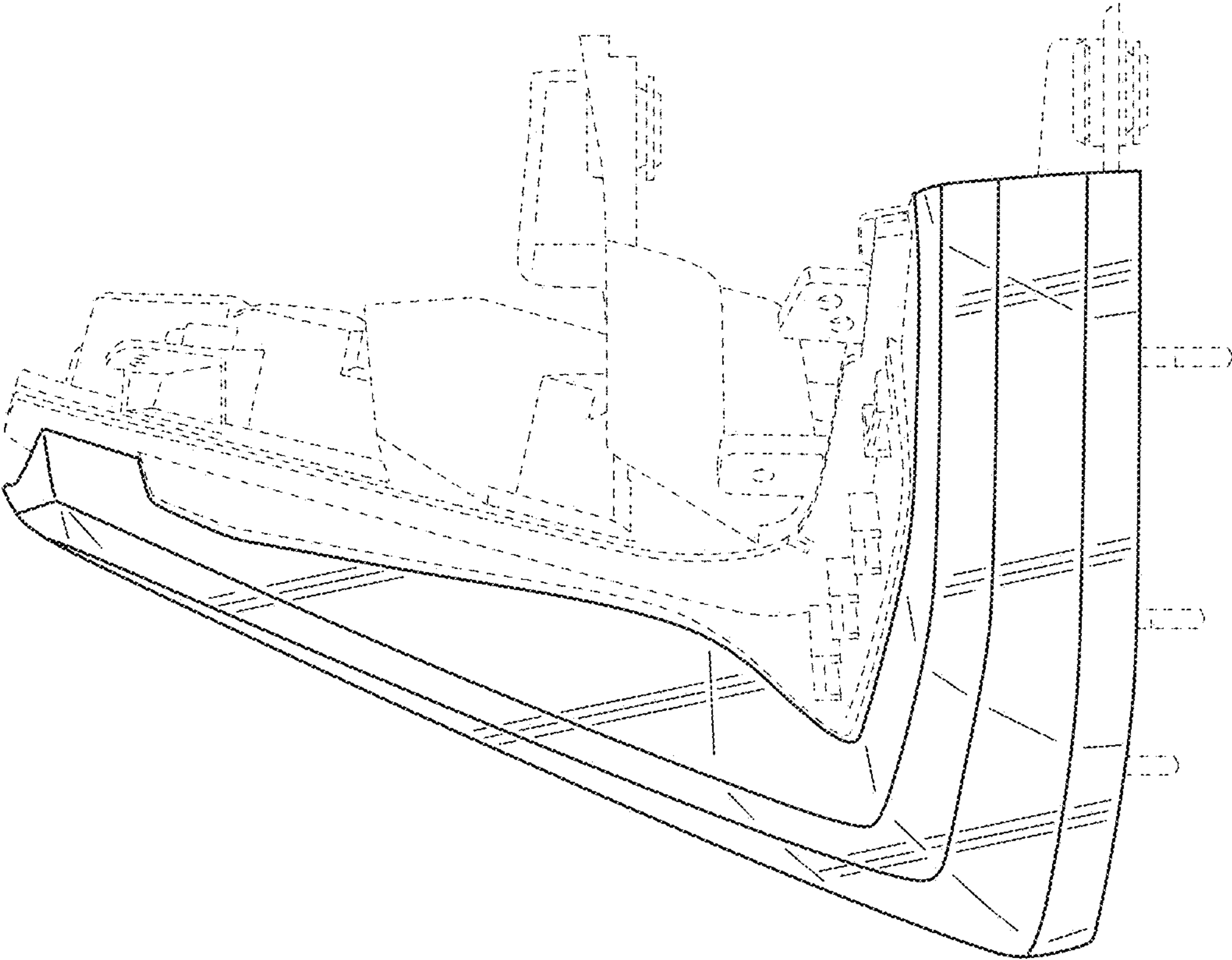


FIG. 2

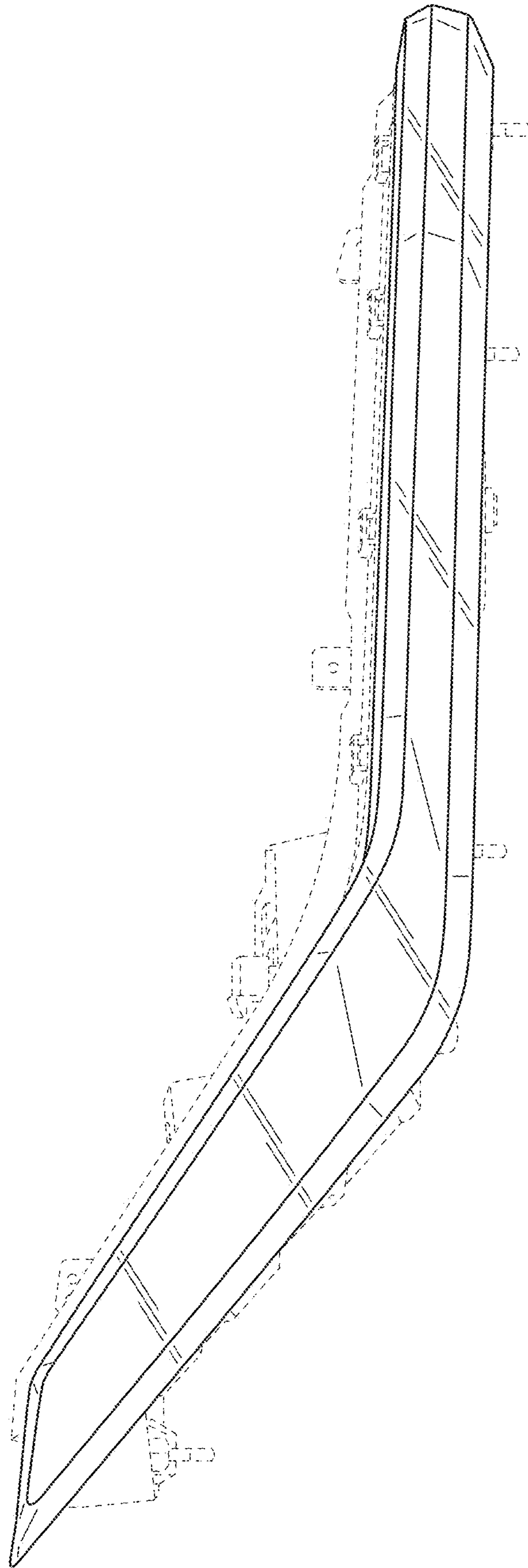


FIG. 3

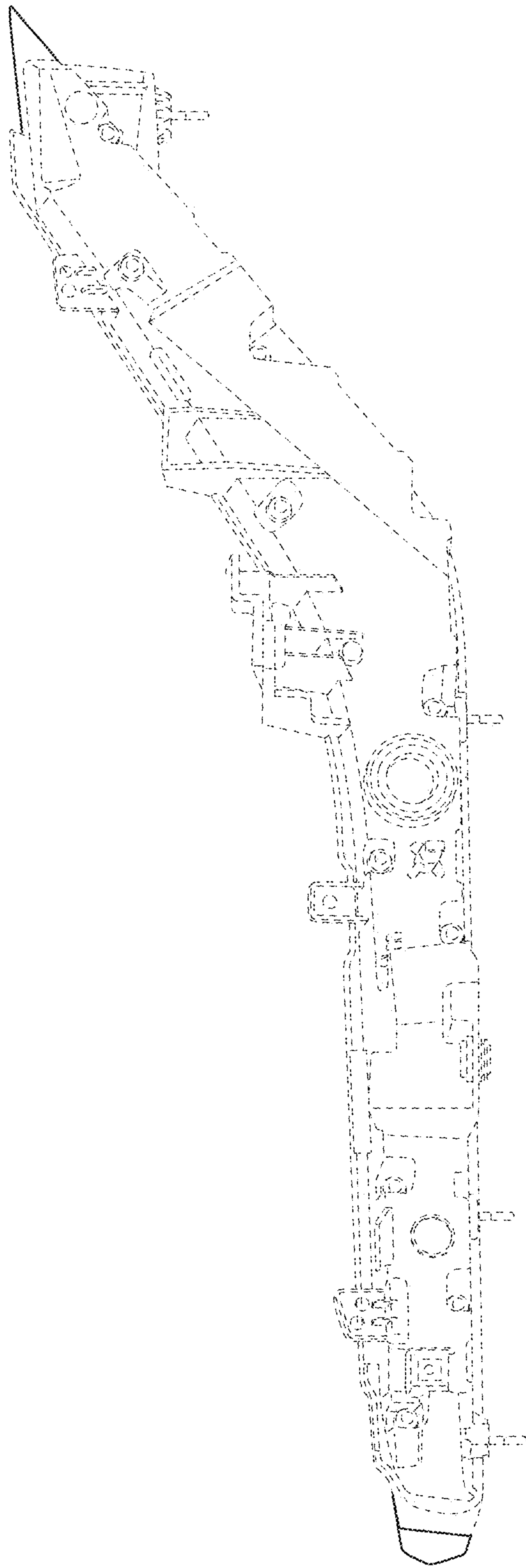


FIG. 4

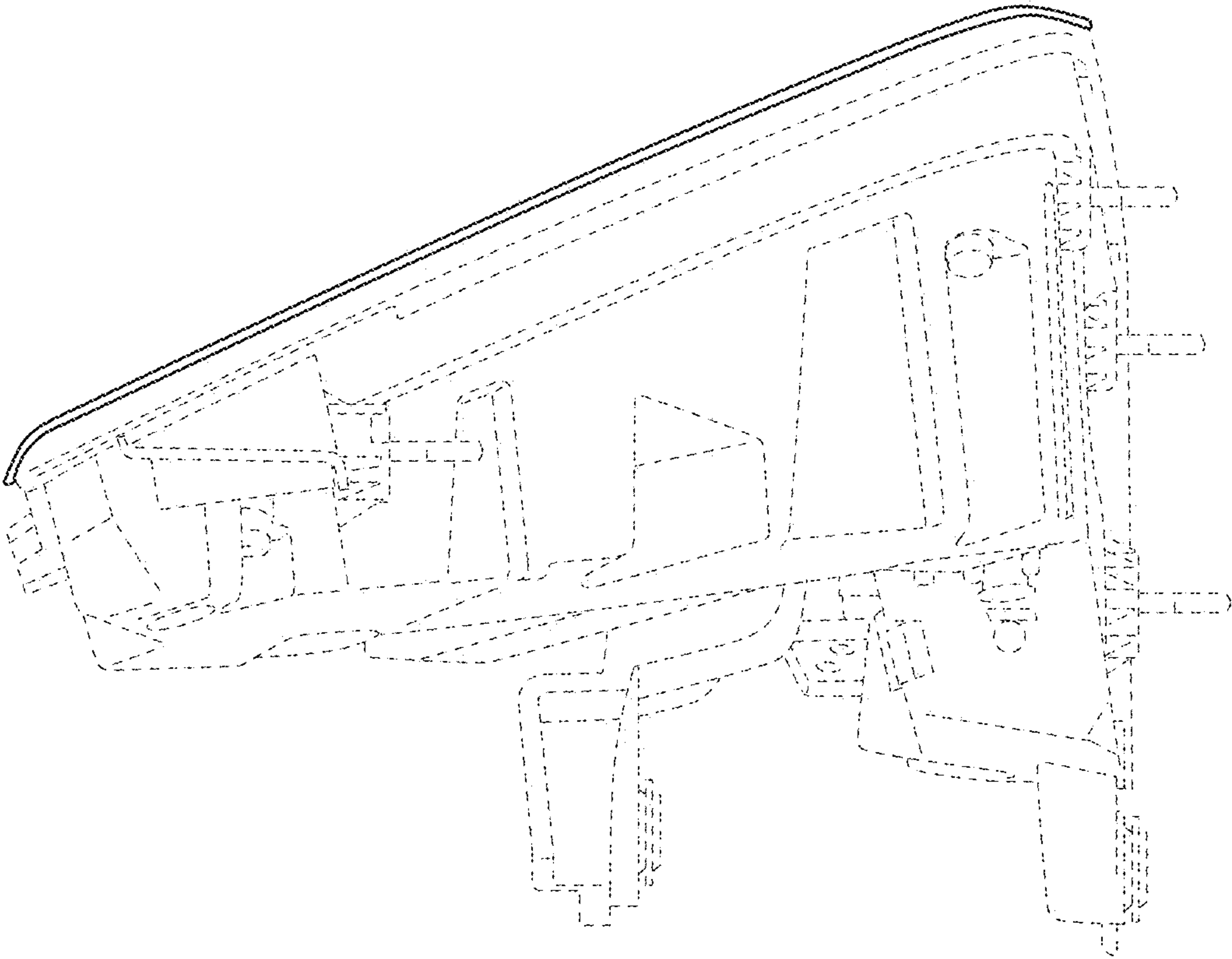


FIG. 5

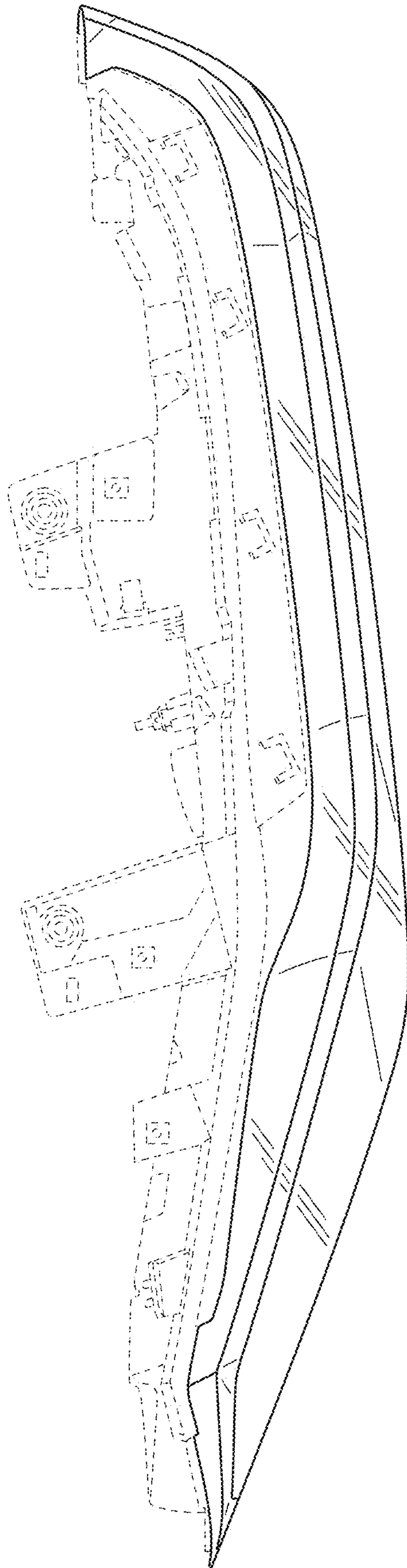


FIG. 6

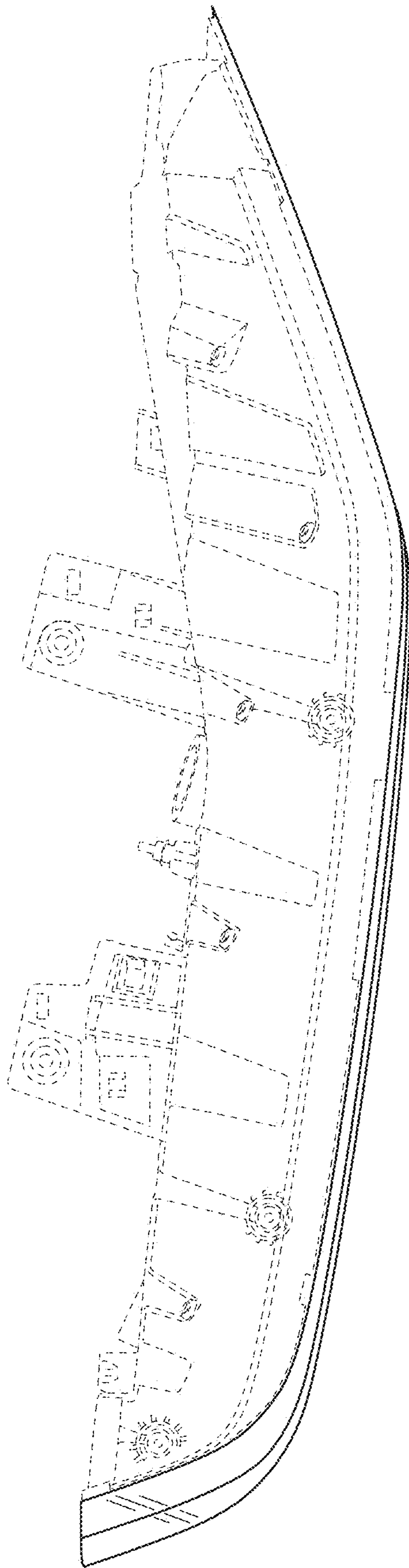


FIG. 7