

US00D961126S

(12) **United States Design Patent** (10) **Patent No.:** **US D961,126 S**
Schmeckpeper (45) **Date of Patent:** **** Aug. 16, 2022**

(54) **VEHICLE HEADLAMP**
(71) Applicant: **GM GLOBAL TECHNOLOGY OPERATIONS LLC**, Detroit, MI (US)
(72) Inventor: **Daniel E. Schmeckpeper**, Clarkston, MI (US)
(73) Assignee: **GM Global Technology Operations LLC**, Detroit, MI (US)

(**) Term: **15 Years**

(21) Appl. No.: **29/770,467**

(22) Filed: **Feb. 12, 2021**

(51) **LOC (13) Cl.** **26-06**

(52) **U.S. Cl.**
USPC **D26/28**

(58) **Field of Classification Search**
CPC F21S 48/00; F21S 48/10; F21S 48/115;
F21S 48/225; F21S 48/1233; F21S 48/1266; F21S 48/1388; F21S 48/2268;
F21V 5/00; F21V 21/04; F21V 29/004;
B60Q 9/13; B60Q 9/135; F21W 2102/17;
F21W 2103/00; F21W 2102/35; F21W 2102/55; F21W 2107/13; F21W 2107/17
See application file for complete search history.

(56) **References Cited**

U.S. PATENT DOCUMENTS

D736,451 S	8/2015	Smith et al.
D744,158 S	11/2015	Willett et al.
D745,719 S	12/2015	Boniface et al.
D745,725 S	12/2015	McMahan et al.
D745,726 S	12/2015	McMahan et al.
D747,514 S	1/2016	McMahan et al.
D747,515 S	1/2016	McMahan et al.
D747,819 S	1/2016	Thole et al.
D749,246 S	2/2016	Thole et al.

D749,249 S	2/2016	Thole et al.	
D749,250 S	2/2016	Thole et al.	
D769,480 S	* 10/2016	Lai	D26/28
D771,291 S	* 11/2016	Tsai	D26/28
D773,084 S	11/2016	Kapitonov	
D773,086 S	11/2016	McCabe et al.	
D774,226 S	12/2016	Mccabe et al.	
D776,841 S	1/2017	Kozub et al.	
D776,843 S	1/2017	McCabe et al.	
D776,846 S	1/2017	Willett et al.	
D777,359 S	1/2017	Kozub et al.	
D777,360 S	1/2017	Kozub et al.	
D777,361 S	1/2017	Kozub et al.	
D777,955 S	1/2017	Willett et al.	
D784,579 S	4/2017	Cheng et al.	
D793,590 S	8/2017	Kozub et al.	
D793,591 S	8/2017	Kozub et al.	
D794,229 S	8/2017	Barry	
D794,230 S	8/2017	Kozub	

(Continued)

Primary Examiner — Marcus A Jackson

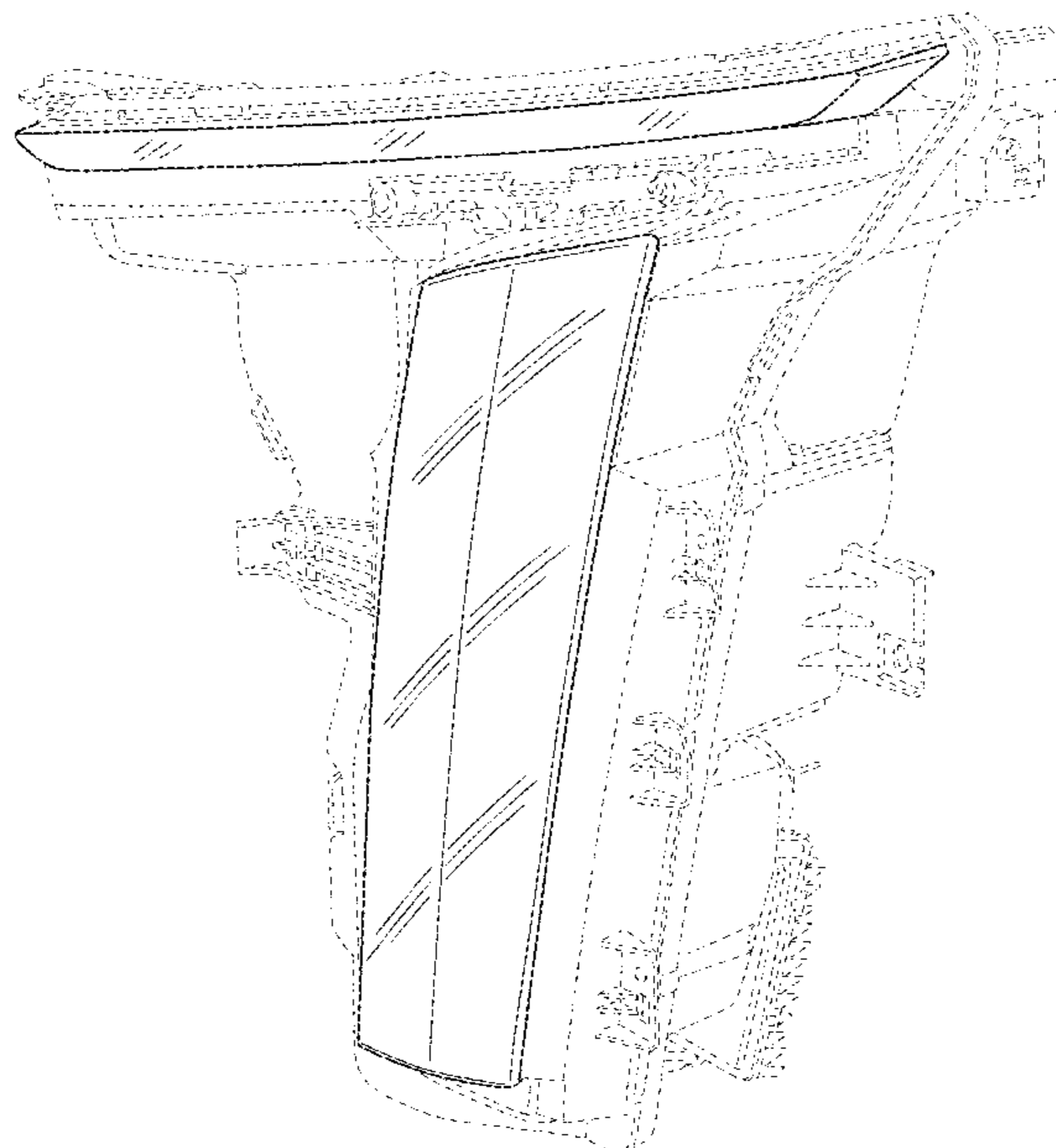
(57) **CLAIM**

The ornamental design for a vehicle headlamp, as shown and described.

DESCRIPTION

FIG. 1 is a front and left perspective view of a vehicle headlamp showing my new design; the mirror image of the vehicle headlamp is claimed, but not shown;
FIG. 2 is a front elevation view of the vehicle headlamp of FIG. 1;
FIG. 3 is a left elevation view thereof;
FIG. 4 is a right elevation view thereof;
FIG. 5 is a back elevation view thereof;
FIG. 6 is a top view thereof; and,
FIG. 7 is a bottom view thereof.
The broken lines in the drawings depict portions of the vehicle headlamp that form no part of the claimed design.

1 Claim, 7 Drawing Sheets



(56)

References Cited

U.S. PATENT DOCUMENTS

D796,088 S	8/2017	McCabe et al.	D857,948 S	8/2019	Koo et al.
D796,093 S	8/2017	Mainville	D857,949 S	8/2019	Smith et al.
D797,967 S	9/2017	Barry	D857,950 S	8/2019	Zipfel
D797,970 S	9/2017	Mainville	D857,951 S	8/2019	Whitla et al.
D797,971 S	9/2017	Mainville	D857,952 S	8/2019	Smith et al.
D797,972 S	9/2017	Whitla et al.	D858,813 S	9/2019	Datta
D799,728 S	10/2017	Whitla et al.	D858,814 S	9/2019	Burns
D801,577 S	10/2017	Ruiz	D858,817 S	9/2019	Henriques
D818,156 S	5/2018	Kim et al.	D858,818 S	9/2019	McMahan et al.
D818,157 S	5/2018	Zipfel et al.	D858,819 S	9/2019	McMahan et al.
D818,158 S	5/2018	Zipfel et al.	D858,820 S	9/2019	McMahan et al.
D818,159 S	5/2018	Zipfel et al.	D858,821 S	9/2019	Park
D818,160 S	5/2018	Perkins	D858,822 S	9/2019	Whitla et al.
D821,617 S	6/2018	Perkins	D858,823 S	9/2019	Zipfel
D825,083 S	8/2018	Perkins	D858,824 S	9/2019	Pinazzo et al.
D826,435 S	8/2018	Kim	D859,707 S	9/2019	McMahan et al.
D828,935 S	9/2018	Hochmuth	D859,708 S	9/2019	Kozub
D830,589 S	10/2018	Henriques	D859,709 S	9/2019	Zipfel
D837,424 S	1/2019	Whitla et al.	D860,489 S	9/2019	Henriques
D838,015 S	1/2019	McMahan et al.	D860,490 S	9/2019	Henriques
D838,016 S	1/2019	McMahan et al.	D863,625 S	10/2019	Kim
D838,390 S	1/2019	McMahan et al.	D863,627 S	* 10/2019	Lin D26/28
D838,391 S	1/2019	McMahan et al.	D863,629 S	10/2019	Whitla et al.
D839,460 S	1/2019	Zipfel et al.	D863,630 S	10/2019	Whitla et al.
D840,068 S	2/2019	Zipfel et al.	D863,662 S	10/2019	Yong et al.
D840,069 S	2/2019	Perkins	D863,664 S	10/2019	Kozub
D840,565 S	2/2019	Whitla et al.	D864,441 S	10/2019	Perkins
D840,570 S	2/2019	Kim et al.	D868,302 S	11/2019	Hochmuth
D840,571 S	2/2019	Zipfel et al.	D868,357 S	11/2019	De Leon
D840,572 S	2/2019	Perkins	D869,015 S	12/2019	Pinazzo et al.
D841,843 S	2/2019	Park	D869,026 S	12/2019	Zipfel
D841,844 S	2/2019	Perkins	D869,027 S	12/2019	Zipfel
D841,845 S	2/2019	Park	D869,028 S	12/2019	Zipfel
D843,023 S	3/2019	Whitla et al.	D874,029 S	1/2020	Mack et al.
D843,024 S	3/2019	Hochmuth	D874,030 S	1/2020	Mack et al.
D843,025 S	3/2019	Smith et al.	D874,033 S	1/2020	Park Cheng et al.
D843,614 S	3/2019	Whitla et al.	D874,034 S	1/2020	Schmeckpeper
D843,616 S	3/2019	Smith et al.	D874,035 S	1/2020	Park Cheng et al.
D843,617 S	3/2019	Smith et al.	D874,053 S	1/2020	Zipfel
D844,184 S	3/2019	Whitla et al.	D874,693 S	2/2020	Blanski et al.
D844,185 S	3/2019	Hochmuth	D874,697 S	2/2020	Schmeckpeper
D844,186 S	3/2019	Smith et al.	D875,281 S	2/2020	Schmeckpeper
D845,518 S	4/2019	Kozub	D876,690 S	2/2020	Schmeckpeper
D845,519 S	4/2019	Zipfel	D877,369 S	3/2020	Thurber et al.
D846,769 S	4/2019	Koo et al.	D877,376 S	3/2020	Cheng et al.
D846,770 S	4/2019	Kozub	D877,377 S	3/2020	Cheng et al.
D846,771 S	4/2019	Zipfel	D877,941 S	3/2020	Thurber et al.
D846,772 S	4/2019	Pinazzo et al.	D884,939 S	5/2020	Kozub
D847,390 S	4/2019	Koo et al.	D885,618 S	5/2020	Mack et al.
D847,391 S	4/2019	Pinazzo et al.	D887,591 S	6/2020	Mack et al.
D847,392 S	4/2019	Zipfel	D887,596 S	6/2020	Pinazzo et al.
D848,647 S	5/2019	Kozub	D890,386 S	* 7/2020	Wu D26/28
D849,285 S	* 5/2019	Lin D26/28	D892,368 S	* 8/2020	Lin D26/28
D852,389 S	6/2019	Koo et al.	D894,438 S	8/2020	Park Cheng et al.
D852,393 S	6/2019	Whitla et al.	D894,439 S	8/2020	Izard
D855,849 S	* 8/2019	Lin D26/28	D894,440 S	8/2020	Koo et al.
D857,936 S	8/2019	Kil et al.	D894,441 S	8/2020	Koo et al.
D857,938 S	8/2019	Blanski et al.	D895,859 S	9/2020	Izard
D857,939 S	8/2019	Kozub	D897,013 S	9/2020	Cheng et al.
D857,940 S	8/2019	Park	D903,157 S	* 11/2020	Platto D26/28
D857,941 S	8/2019	Whitla et al.	D903,159 S	11/2020	Zipfel
D857,942 S	8/2019	Perkins	D903,160 S	11/2020	Zipfel
D857,943 S	8/2019	Hochmuth	D903,161 S	11/2020	Zipfel
D857,944 S	8/2019	Pinazzo et al.	D903,163 S	11/2020	Choi et al.
D857,945 S	8/2019	Smith et al.	D903,164 S	11/2020	Choi et al.
D857,946 S	8/2019	Smith et al.	D903,165 S	11/2020	Choi et al.
D857,947 S	8/2019	Koo et al.	D903,166 S	11/2020	Choi et al.
			D903,167 S	11/2020	Choi et al.
			D903,168 S	11/2020	Choi et al.

* cited by examiner

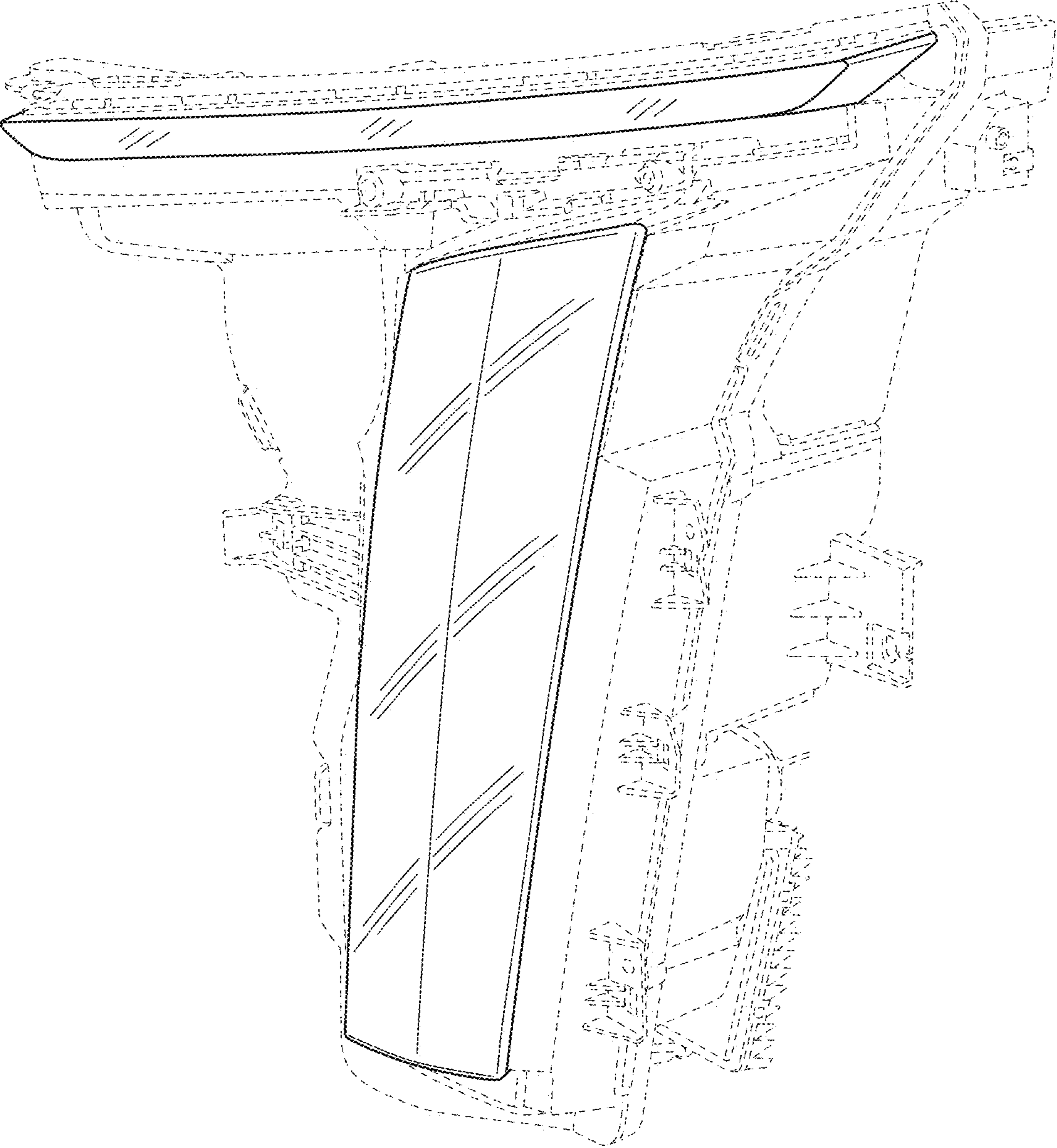


FIG. 1

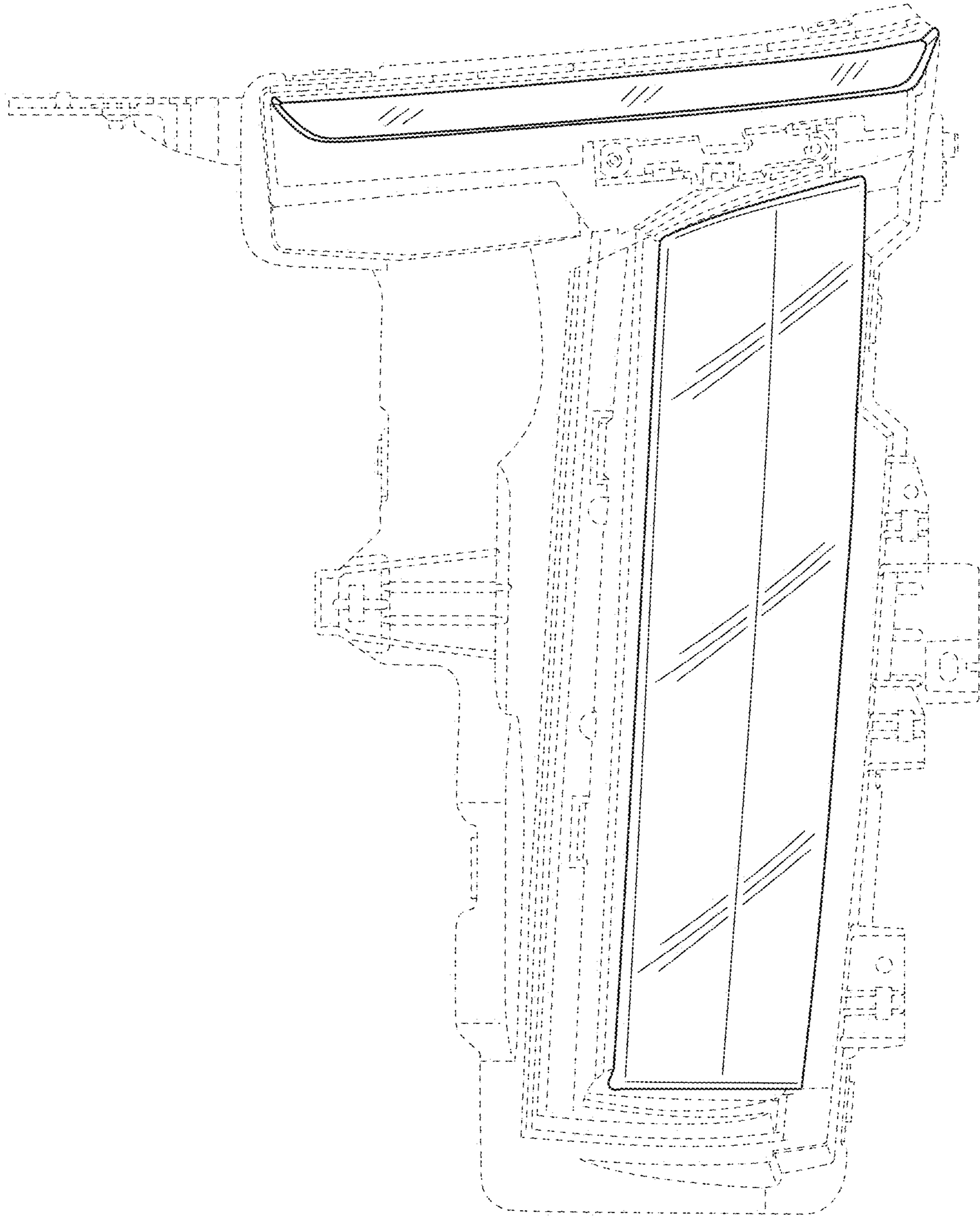


FIG. 2

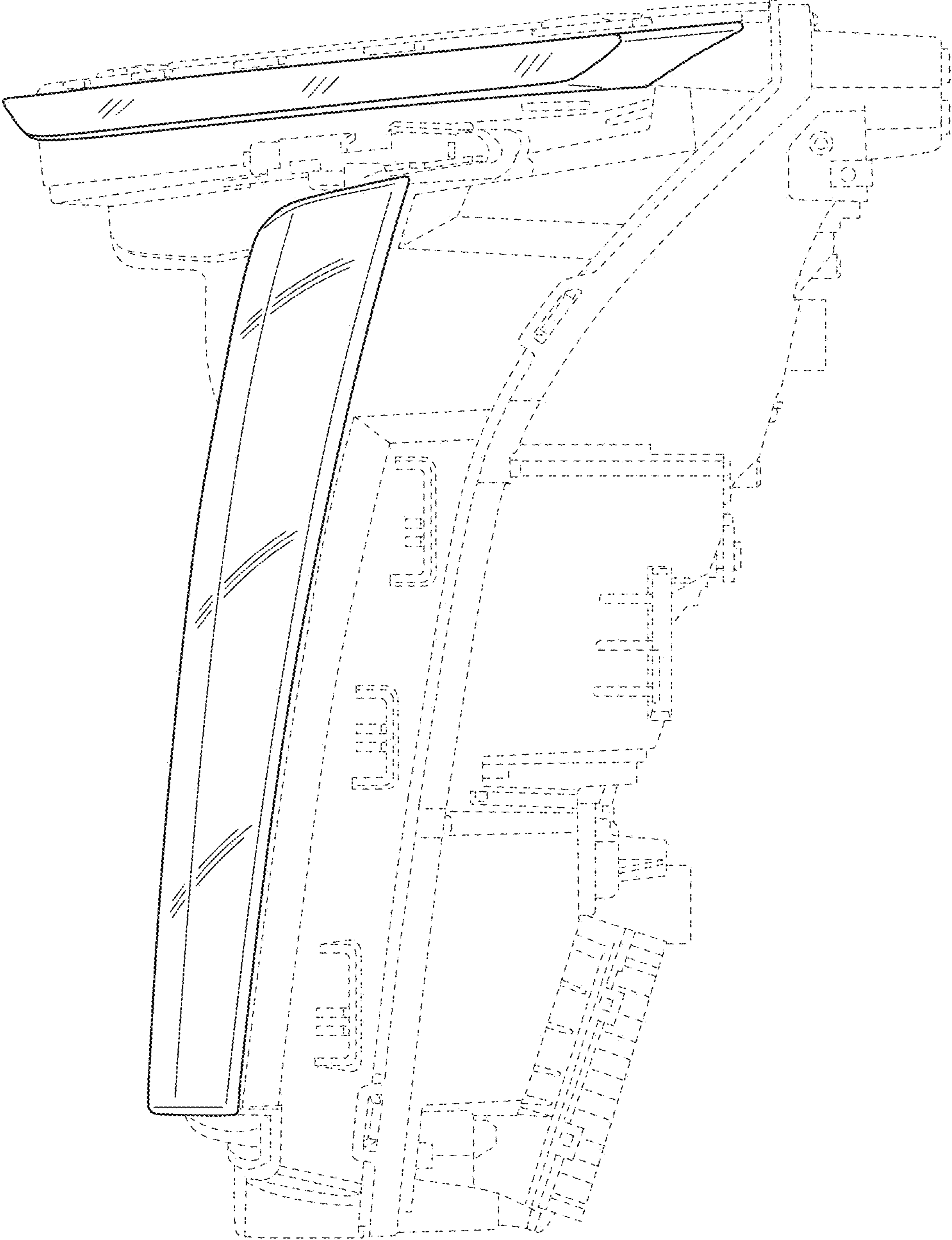


FIG. 3

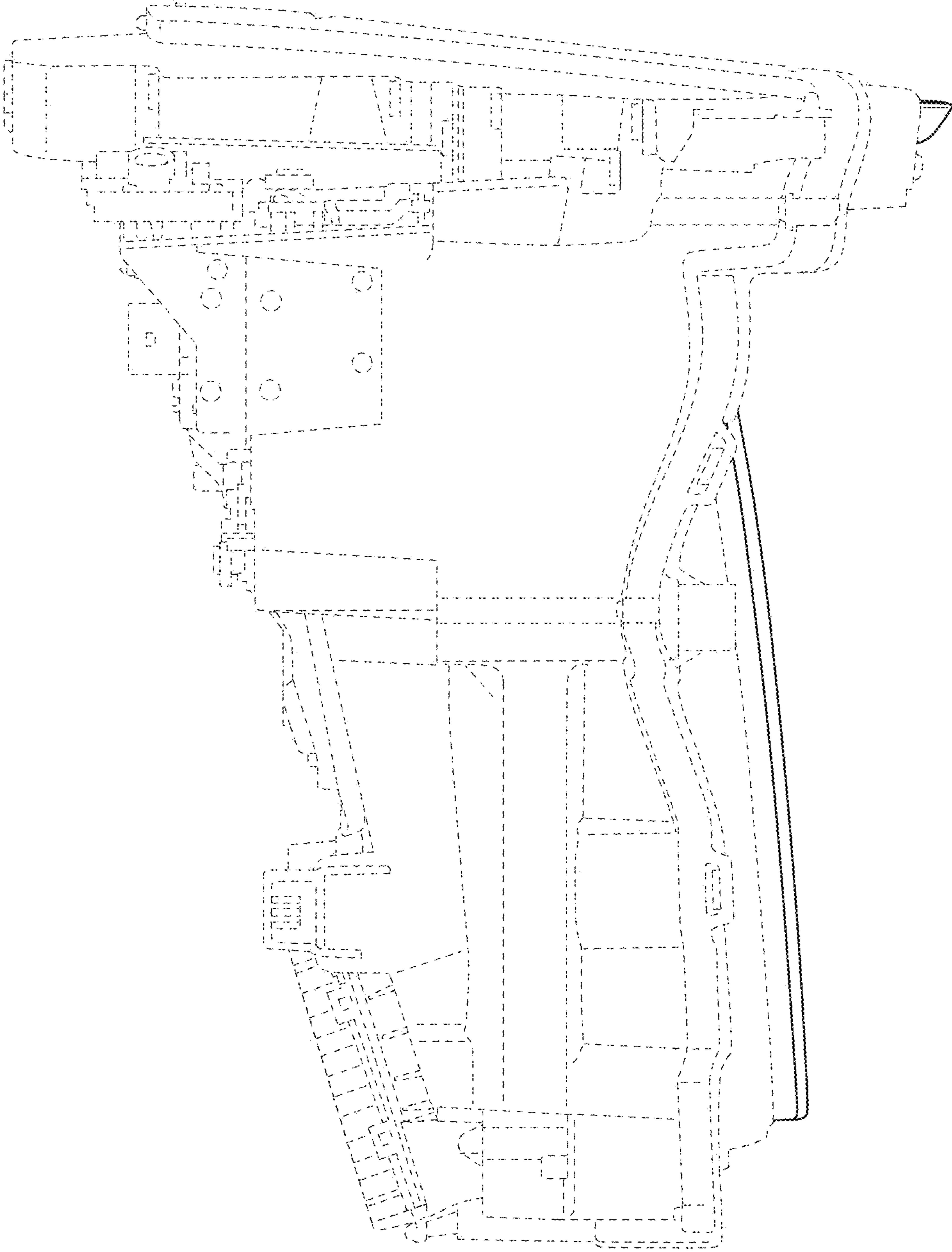


FIG. 4

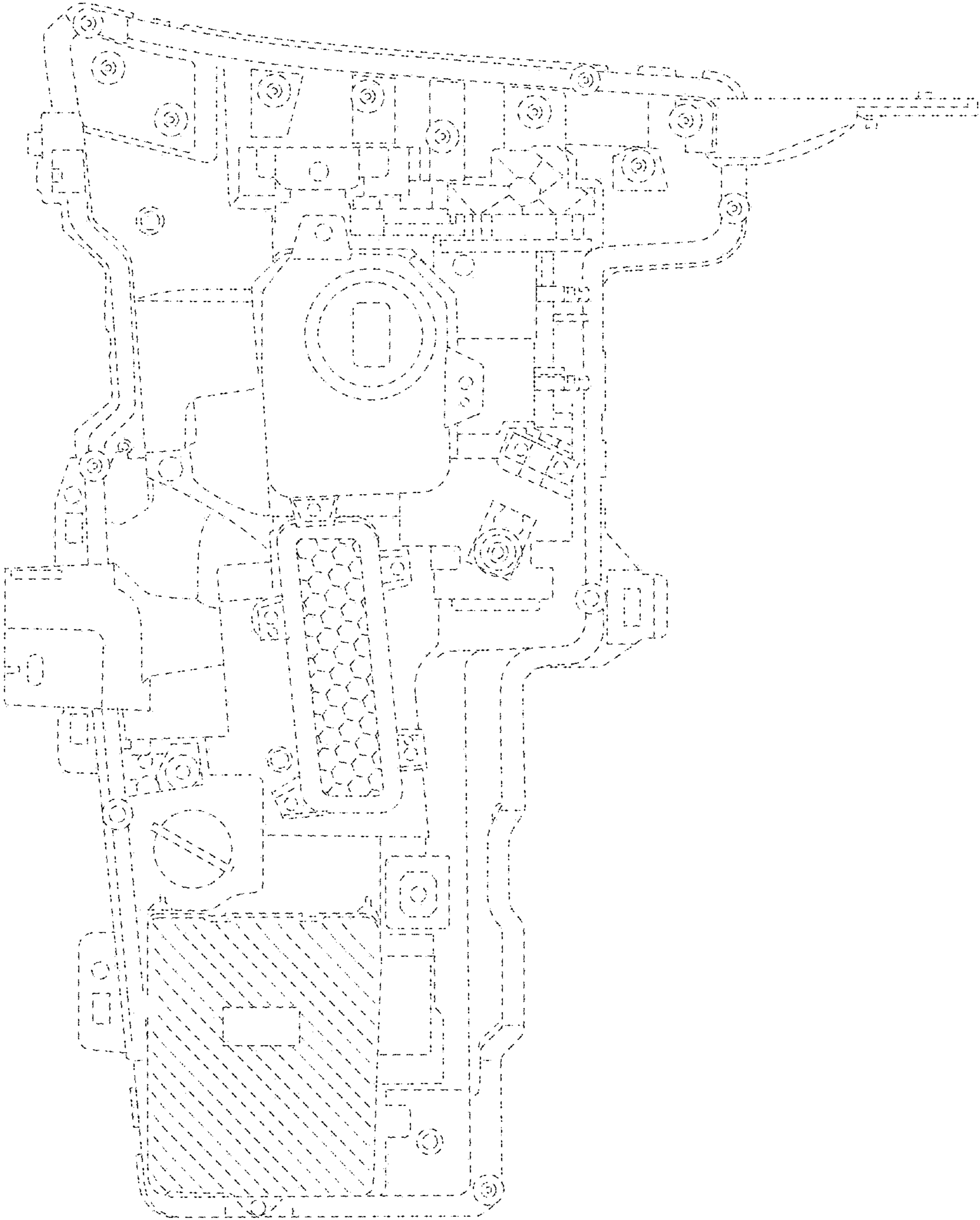


FIG. 5

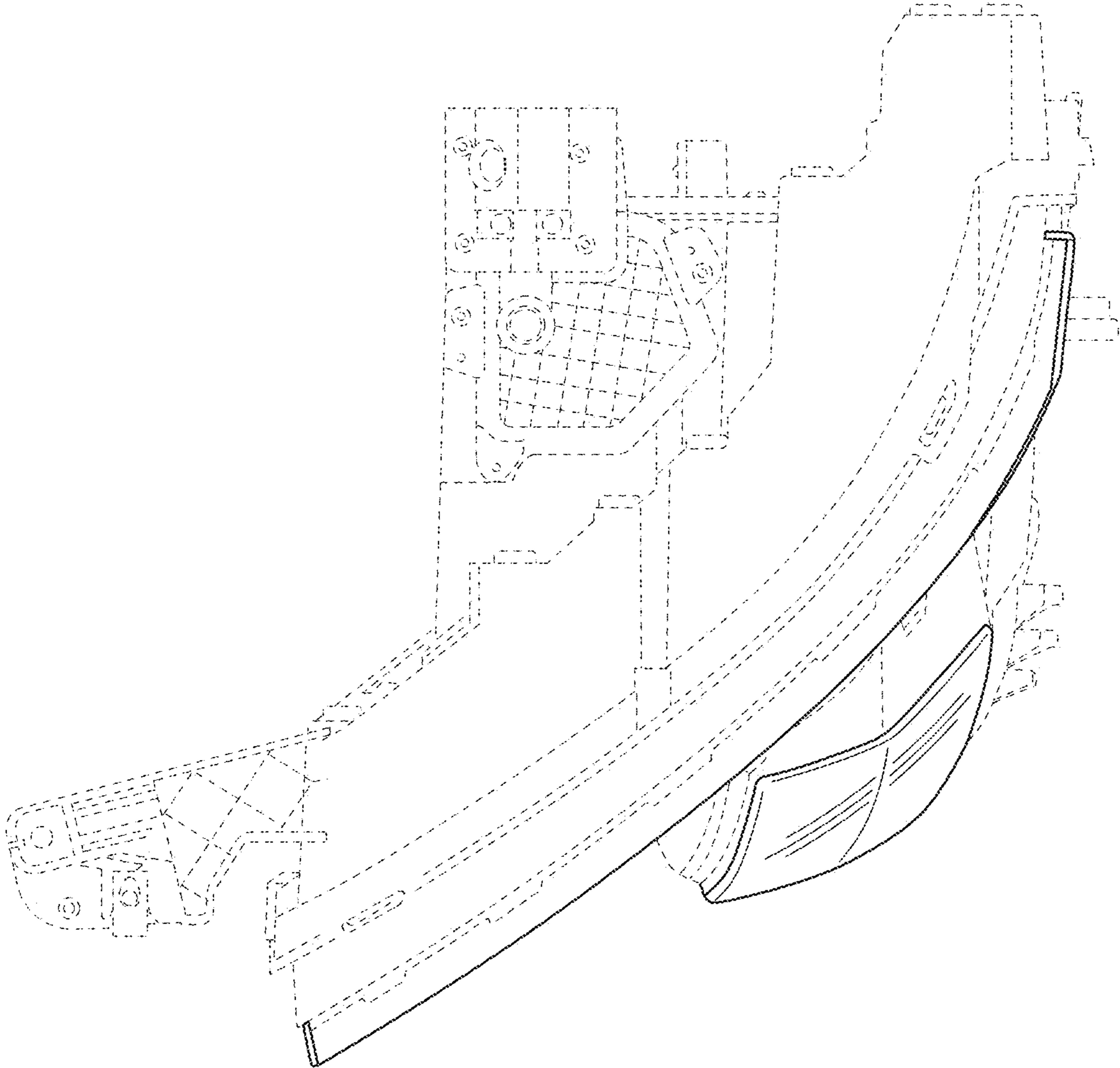


FIG. 6

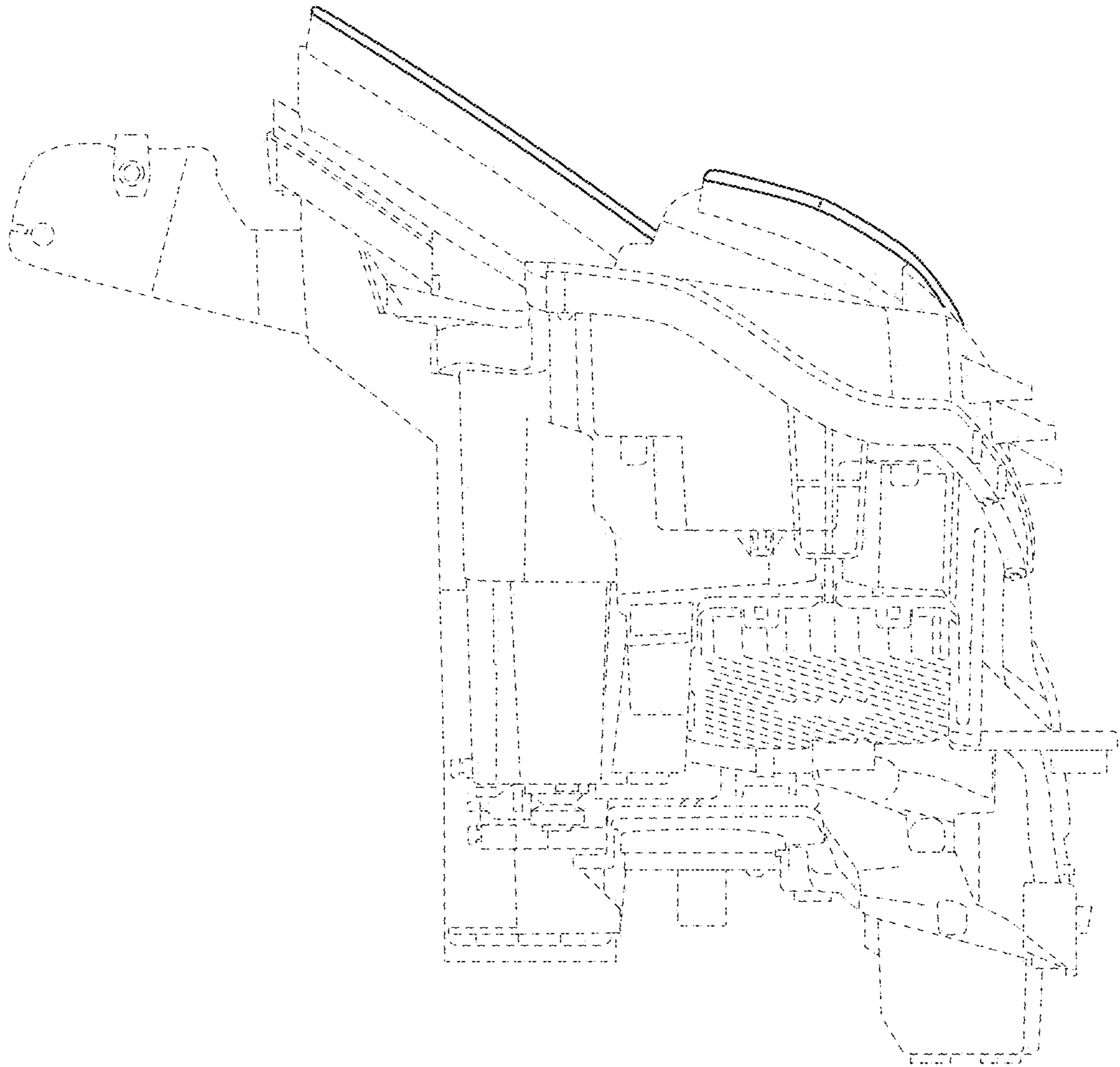


FIG. 7