

US00D961125S

(12) **United States Design Patent** (10) **Patent No.:** **US D961,125 S**  
**Ko** (45) **Date of Patent:** **\*\* Aug. 16, 2022**

(54) **POWER MODULE FOR AUTOMOTIVE LIGHTING**

(71) Applicants: **VISION X ASIA CO., LTD.**,  
Hwaseong-si (KR); **In Hong Ko**, Seoul  
(KR)

(72) Inventor: **In Hong Ko**, Seoul (KR)

(73) Assignee: **BROWN & WATSON INTERNATIONAL LIMITED**,  
Hwaseong-si (KR)

(\*\*) Term: **15 Years**

(21) Appl. No.: **29/713,432**

(22) Filed: **Nov. 15, 2019**

(30) **Foreign Application Priority Data**

Sep. 23, 2019 (KR) ..... 30-2019-0045341

(51) **LOC (13) Cl.** ..... **26-06**

(52) **U.S. Cl.**  
USPC ..... **D26/28; D13/110**

(58) **Field of Classification Search**  
USPC ..... D13/101, 110, 118, 123, 133, 134, 146,  
D13/147, 152, 154, 156, 182, 184, 199;  
D26/28, 29, 30, 31, 32, 33, 34, 35, 36,  
D26/138, 142  
CPC ..... H05K 5/03; H05K 5/0047; H05K 5/0069;  
H05K 5/0217; H05K 5/0247; H05K  
5/0252; F21V 23/06; H01R 13/73; H01R  
13/5213; H01R 13/6272; H01R 2201/26;  
H01R 25/006; B60Q 1/28; B60Q 1/0041;  
B60Q 1/0094

See application file for complete search history.

(56) **References Cited**

U.S. PATENT DOCUMENTS

D393,112 S *	3/1998	Essex	.....	D32/31
D424,028 S *	5/2000	Vaiani	.....	D13/184
D448,872 S *	10/2001	Clarke	.....	D26/28
7,396,262 B2 *	7/2008	Korczynski	.....	B60R 16/0238 439/271
D636,528 S *	4/2011	Duster	.....	D26/138
D808,340 S *	1/2018	Hultquist	.....	D13/147
D843,953 S *	3/2019	Read	.....	D10/50

\* cited by examiner

*Primary Examiner* — Derrick E Holland

(74) *Attorney, Agent, or Firm* — Cantor Colburn LLP

(57) **CLAIM**

The ornamental design for a power module for automotive lighting, as shown and described.

**DESCRIPTION**

FIG. 1 is a front, top and right side perspective view of a power module for automotive lighting showing my new design;

FIG. 2 is a rear, top and left side perspective view thereof;

FIG. 3 is a front elevational view thereof;

FIG. 4 is a rear elevational view thereof;

FIG. 5 is a left side elevational view thereof;

FIG. 6 is a right side elevational view thereof;

FIG. 7 is a top plan view thereof; and,

FIG. 8 is a bottom plan view thereof.

The broken lines shown represent the portions of the power module for automotive lighting that form no part of the claimed design.

**1 Claim, 8 Drawing Sheets**

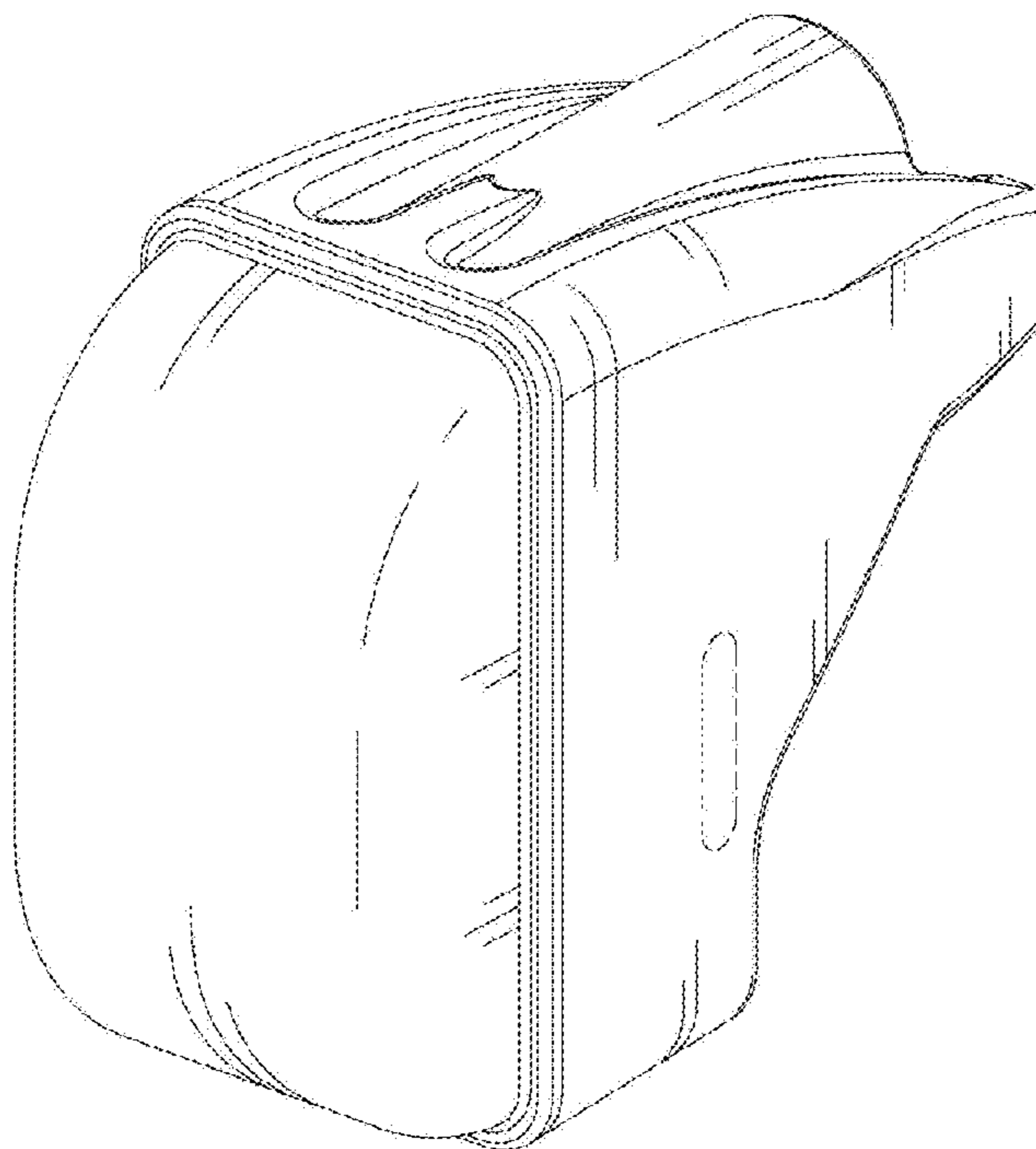


FIG. 1

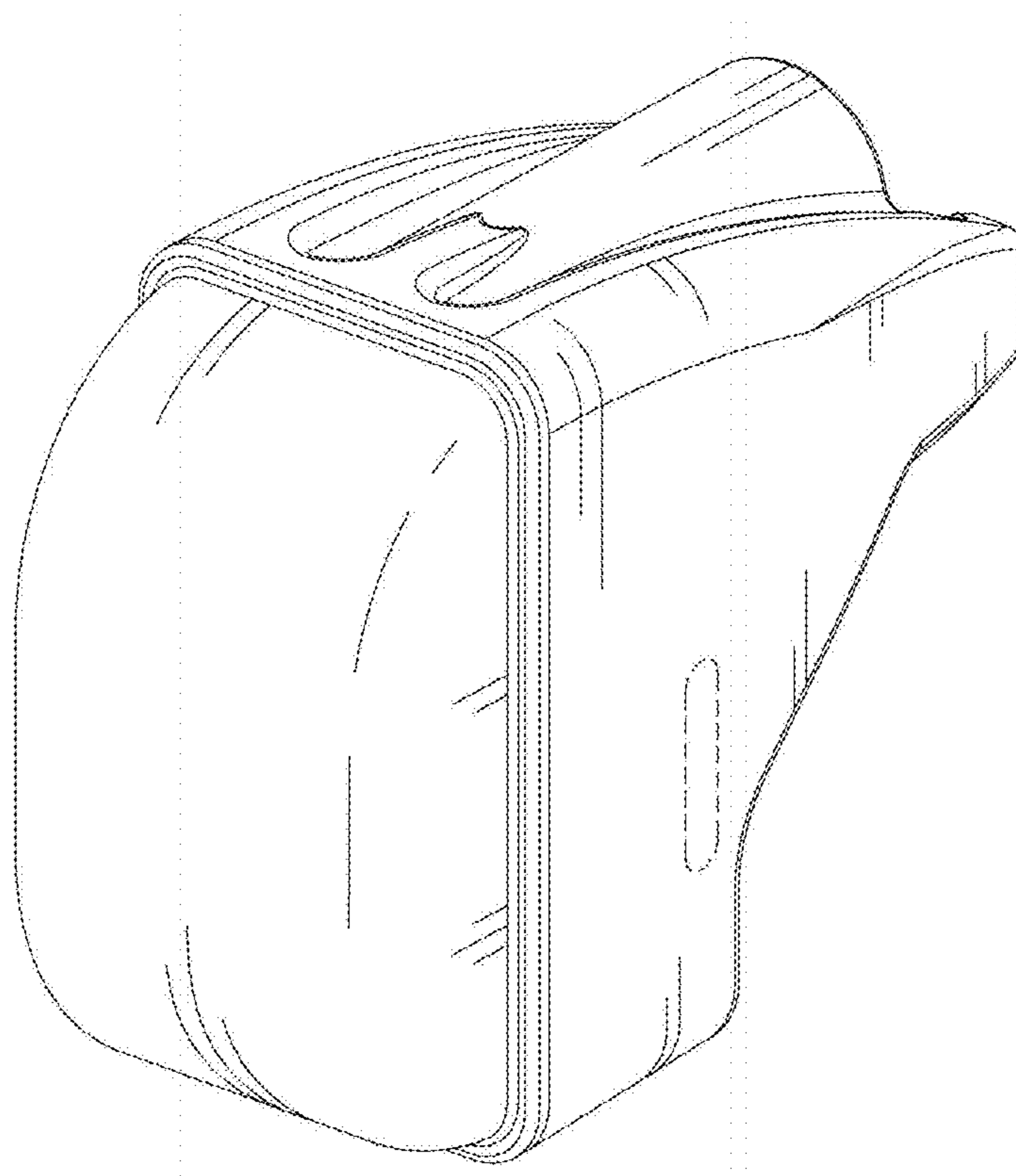


FIG. 2

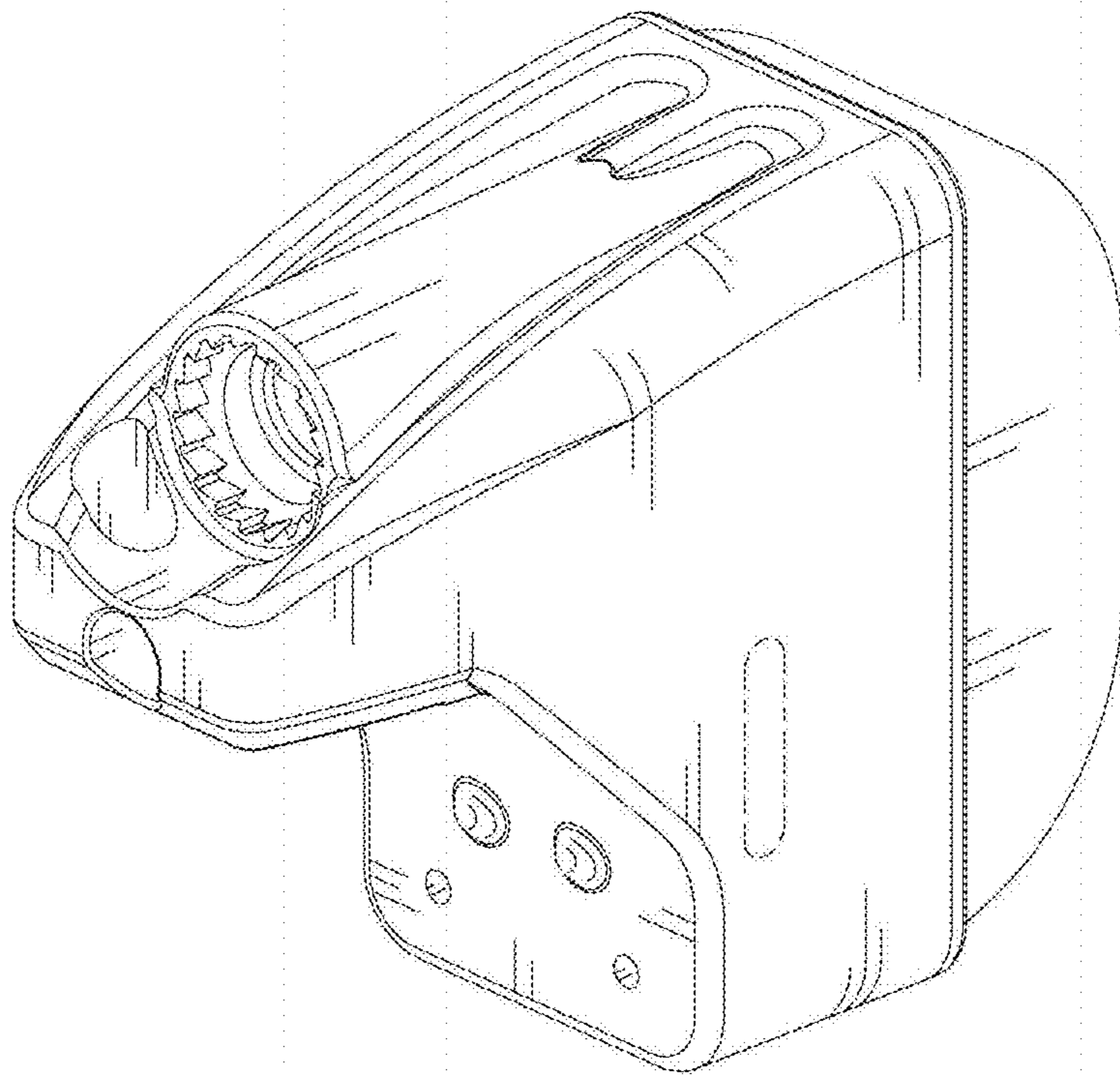


FIG. 3

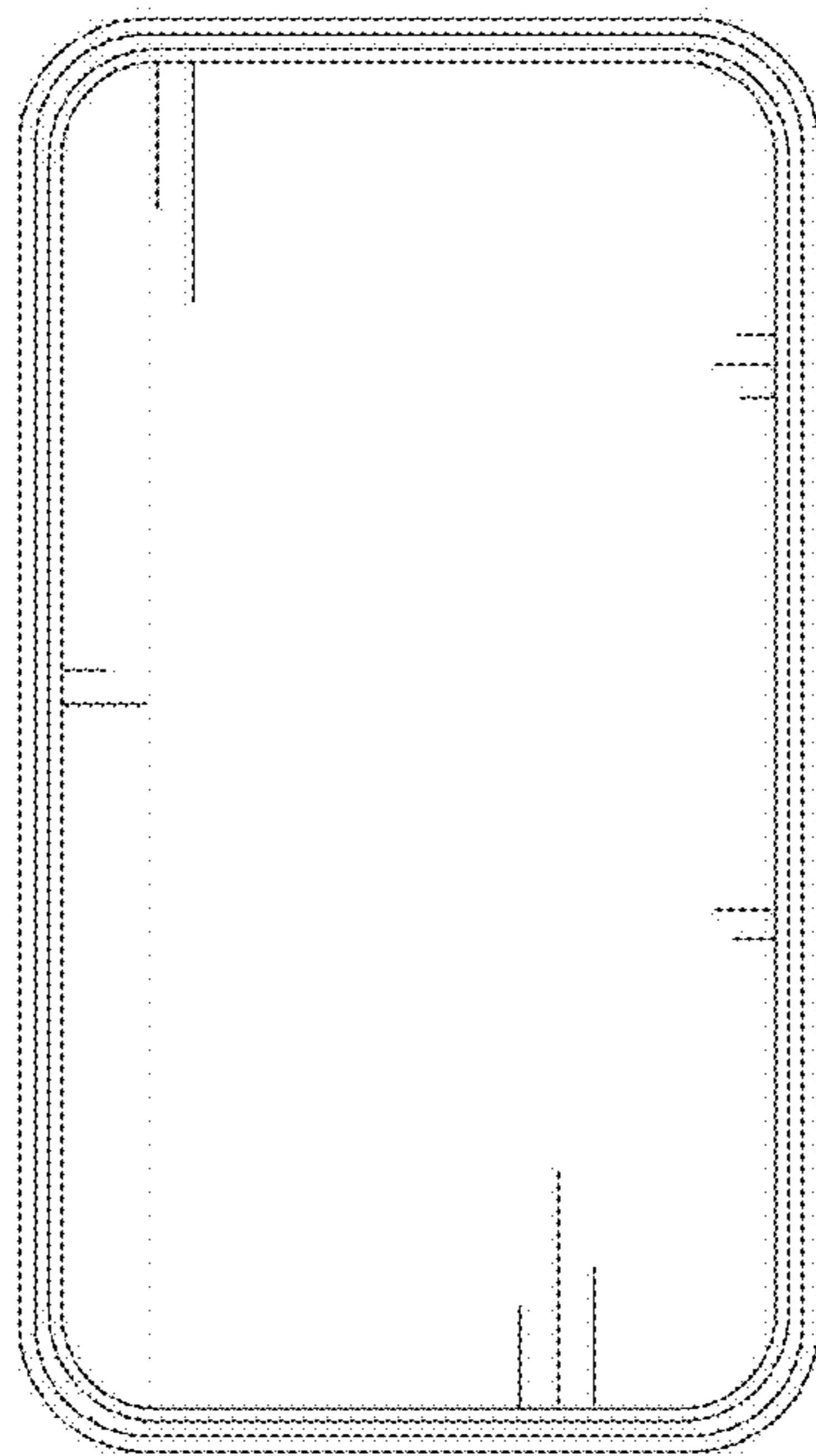


FIG. 4

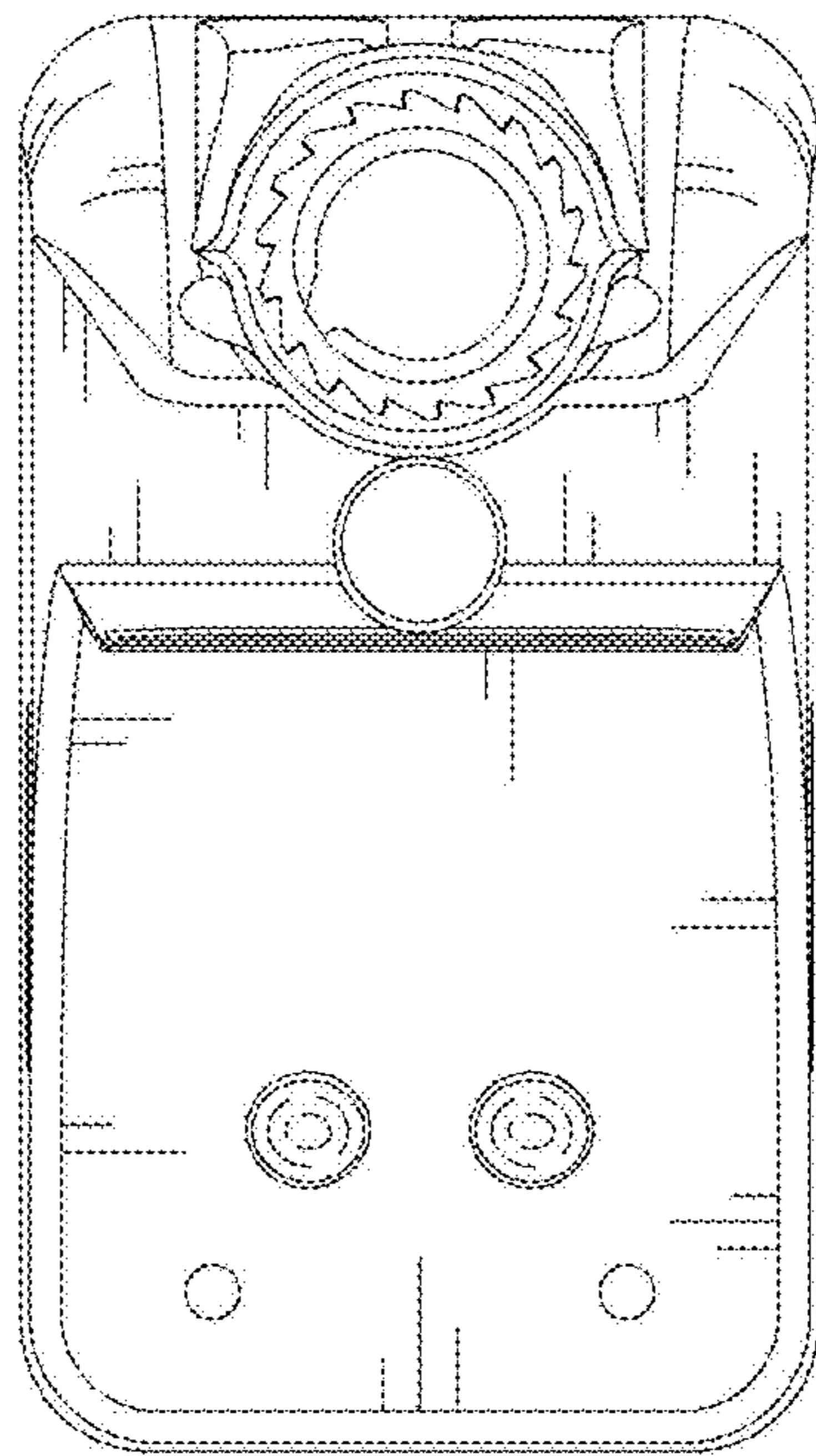


FIG. 5

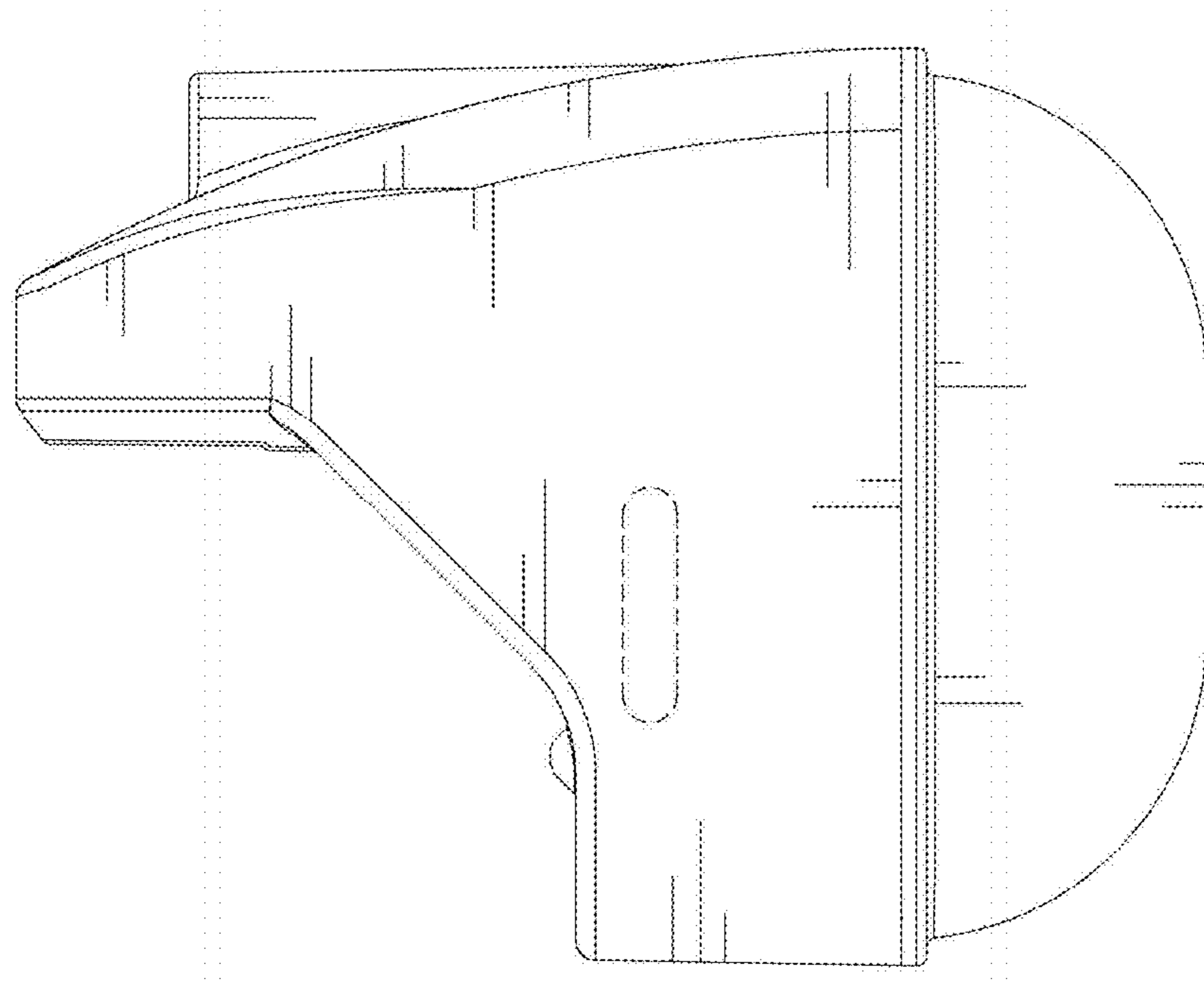




FIG. 6

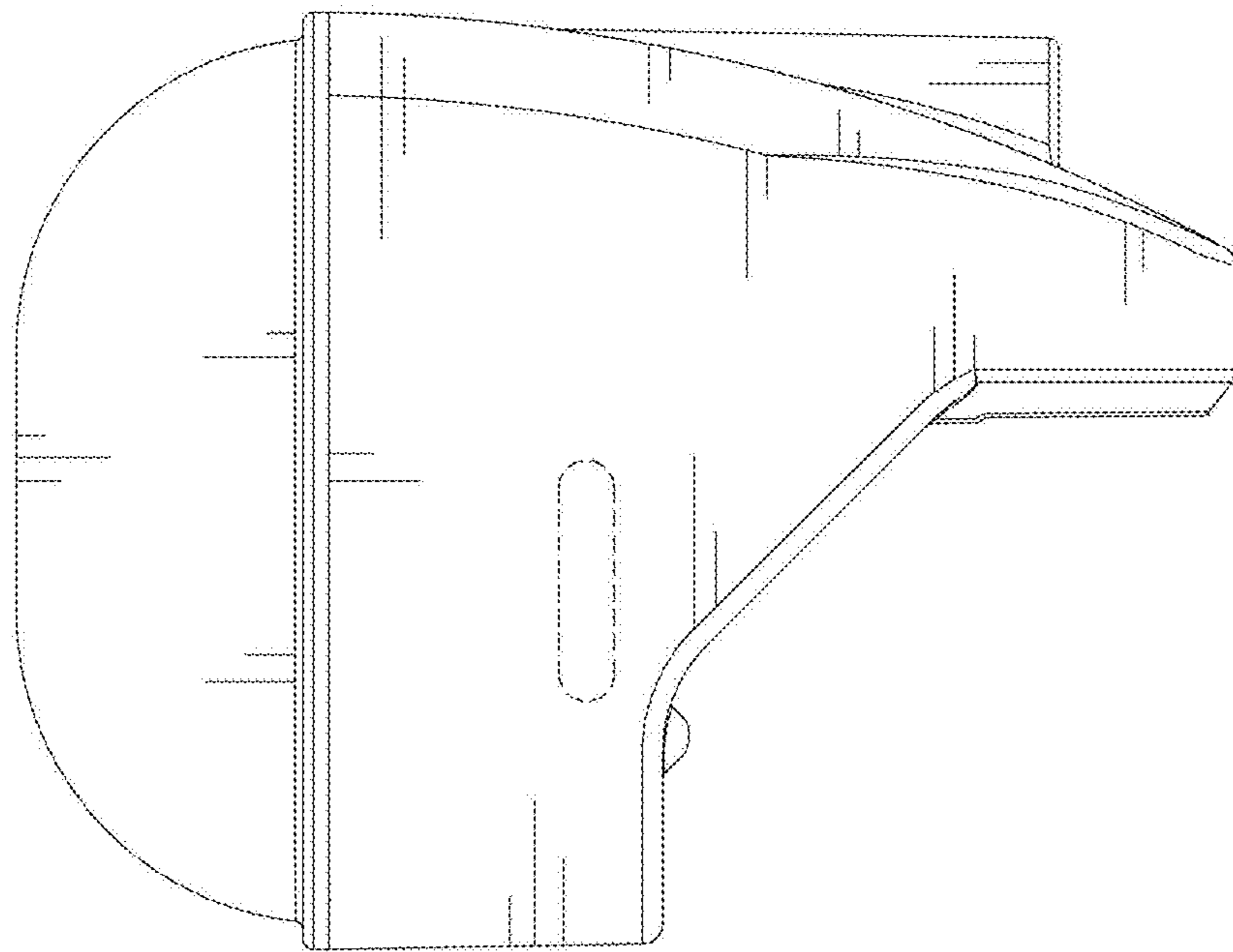


FIG. 7

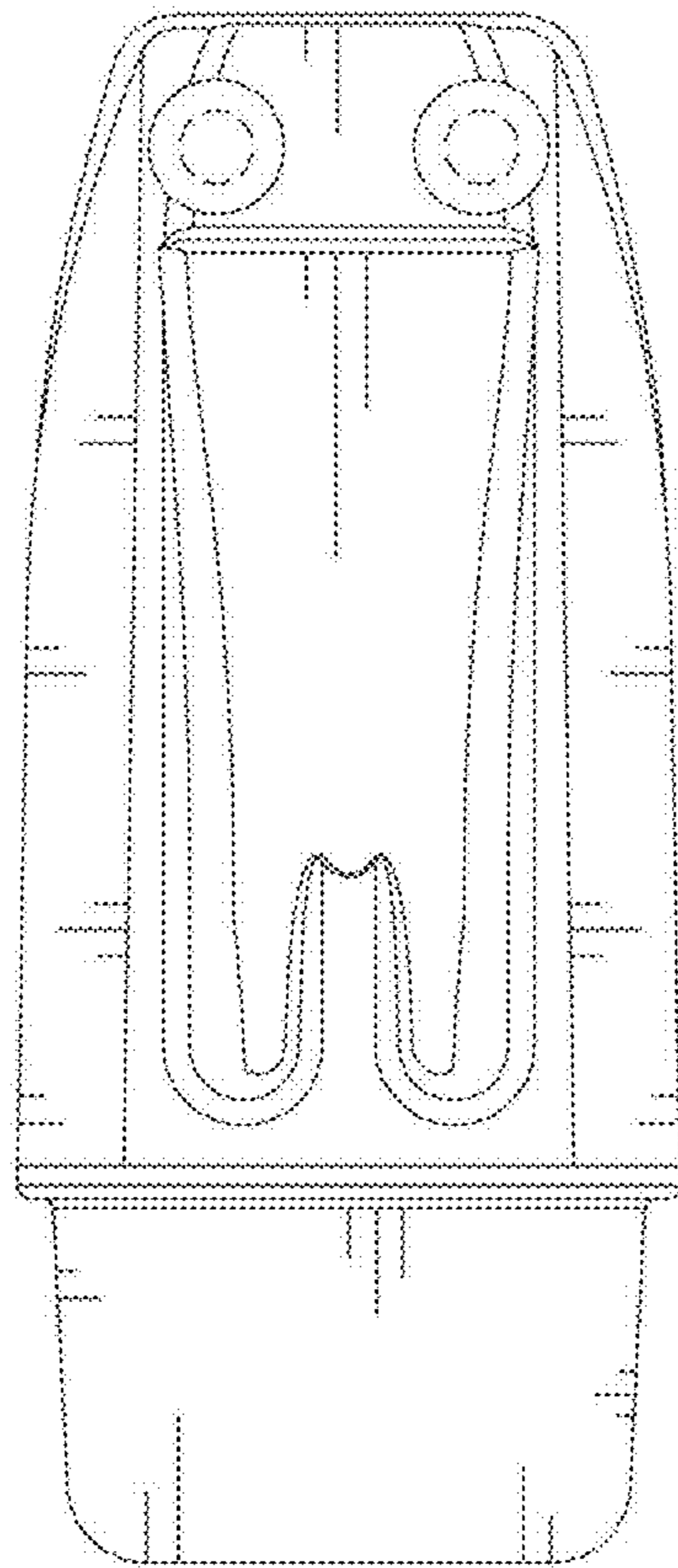




FIG. 8

