



US00D961122S

(12) **United States Design Patent** (10) **Patent No.:** **US D961,122 S**
Liu (45) **Date of Patent:** **** Aug. 16, 2022**

(54) **LAMP**

(71) Applicant: **Yanling Liu**, Ganzhou (CN)

(72) Inventor: **Yanling Liu**, Ganzhou (CN)

(**) Term: **15 Years**

(21) Appl. No.: **29/782,802**

(22) Filed: **May 10, 2021**

(51) **LOC (13) Cl.** **26-04**

(52) **U.S. Cl.**
USPC **D26/25**

(58) **Field of Classification Search**
USPC D26/1, 2, 4, 24, 25, 27, 113, 118
CPC F21S 4/00; F21S 4/10; F21S 4/15; F21S 4/20; F21S 4/26; F21S 4/28; F21K 9/00
See application file for complete search history.

(56) **References Cited**

U.S. PATENT DOCUMENTS

5,140,216	A *	8/1992	Darr	F21L 14/026
					313/493
6,394,623	B1 *	5/2002	Tsui	F21S 4/26
					362/249.16
D477,093	S *	7/2003	Moriyama	D26/3
6,601,971	B1 *	8/2003	Ko	F21V 9/08
					362/419
D513,082	S *	12/2005	Hoshikawa	D26/1
D550,869	S *	9/2007	Hoshikawa	D26/25
D582,851	S *	12/2008	Lavy	D13/133
D700,383	S *	2/2014	Seidl	D26/49
8,641,229	B2 *	2/2014	Li	F21V 23/06
					362/225
D722,717	S *	2/2015	Wang	D26/51
D783,191	S *	4/2017	Riffner	D26/28
D796,106	S	8/2017	Hoffmeister		
D822,233	S	7/2018	Wang et al.		
D884,931	S *	5/2020	Yang	D26/24
D909,630	S *	2/2021	Liu	D26/25

(Continued)

FOREIGN PATENT DOCUMENTS

EM 008530612-0001 * 5/2021
GB 6136062 * 5/2021

OTHER PUBLICATIONS

Torchstar LED Safe Lighting Kit, Sep. 23, 2015, Amazon.com, site visited Jun. 2, 2022, url: <https://www.amazon.com/dp/B015PQAH88?th=1> (Year: 2015).*

(Continued)

Primary Examiner — T Chase Nelson
Assistant Examiner — Rachel Wolfe

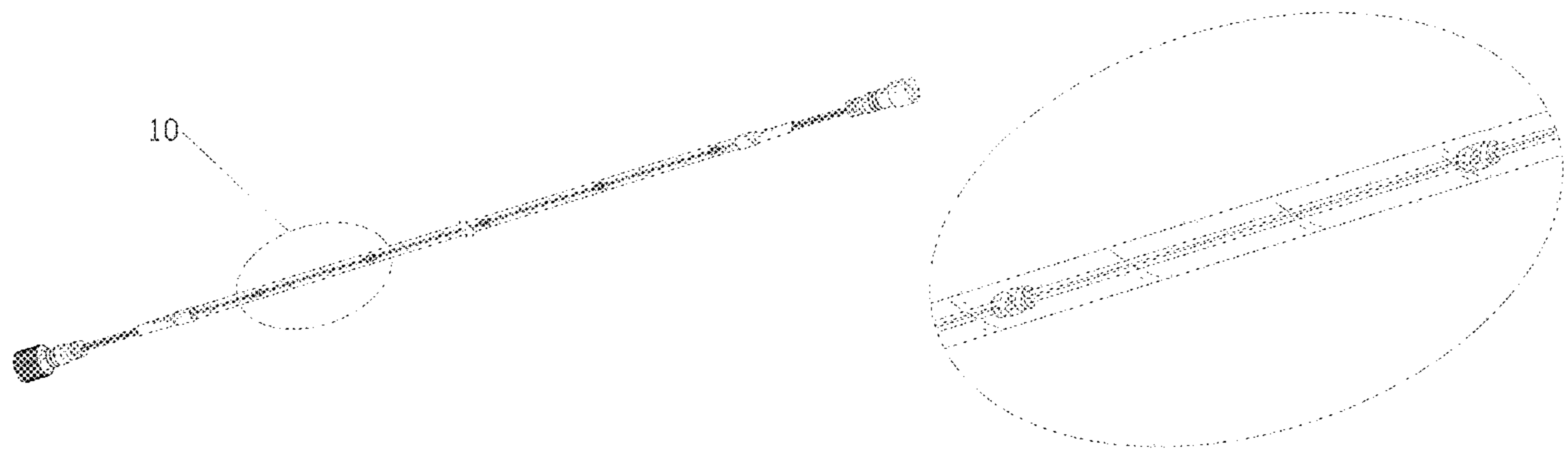
(57) **CLAIM**

The ornamental design for a lamp, as shown and described.

DESCRIPTION

FIG. 1 is a perspective view of a lamp showing my new design;
FIG. 2 is another perspective view thereof;
FIG. 3 is a front elevational view thereof;
FIG. 4 is a rear elevational view thereof;
FIG. 5 is a left side elevational view thereof;
FIG. 6 is a right side elevational view thereof;
FIG. 7 is a top plan view thereof;
FIG. 8 is a bottom plan view thereof;
FIG. 9 is an enlarged view of portion 9 shown in FIG. 1; and,
FIG. 10 is an enlarged view of portion 10 shown in FIG. 2.
The lamp is shown with a symbolic break in its length and the appearance of any portion of the lamp between the break lines forms no part of the claimed design. The broken lines of alternating length are for the purpose of illustrating the boundaries of the enlarged fragment shown in FIGS. 9 and 10 and form no part of the claimed design.

1 Claim, 10 Drawing Sheets



(56)

References Cited

U.S. PATENT DOCUMENTS

D952,911 S * 5/2022 Luo D26/1
2002/0172037 A1* 11/2002 Schnauffer F21V 15/04
362/399
2004/0246718 A1* 12/2004 Fan F21S 4/26
362/240
2005/0099807 A1* 5/2005 Pan F21V 23/0407
362/240
2010/0232175 A1* 9/2010 Ho G02B 6/001
362/551
2010/0289415 A1* 11/2010 Chen H05B 45/345
315/185 R
2011/0050119 A1* 3/2011 Lai H05B 45/3574
315/294
2012/0032587 A1* 2/2012 Shih F21S 4/26
315/32
2014/0036505 A1* 2/2014 Barton F21V 21/005
362/249.06
2015/0077998 A1* 3/2015 Zhang F21V 23/06
362/249.04
2016/0238218 A1* 8/2016 Wang F21L 14/026
2020/0022241 A1* 1/2020 Tang F21V 23/045
2021/0270430 A1* 9/2021 Lee H05B 45/375

OTHER PUBLICATIONS

CEFRANK Led Light Strips Kit, Jun. 18, 2019, Amazon.com, site visited Jun. 2, 2022, url: <https://www.amazon.com/dp/B07T7VC3Q9?th=1> (Year: 2019).*

KIKASAM Solar String Lights, Jan. 24, 2021, Amazon.co.uk, site visited Jun. 2, 2022, url: <https://www.amazon.co.uk/dp/B08TVKNYSB/?th=1> (Year: 2021).*

* cited by examiner

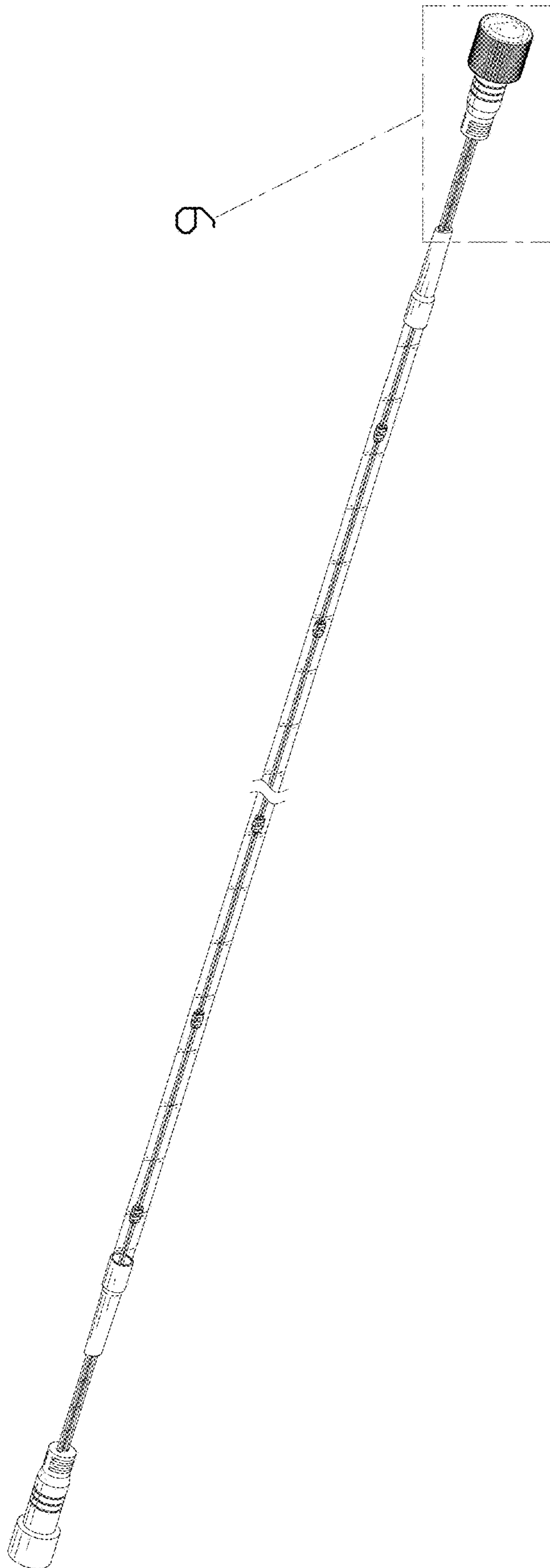


FIG. 1

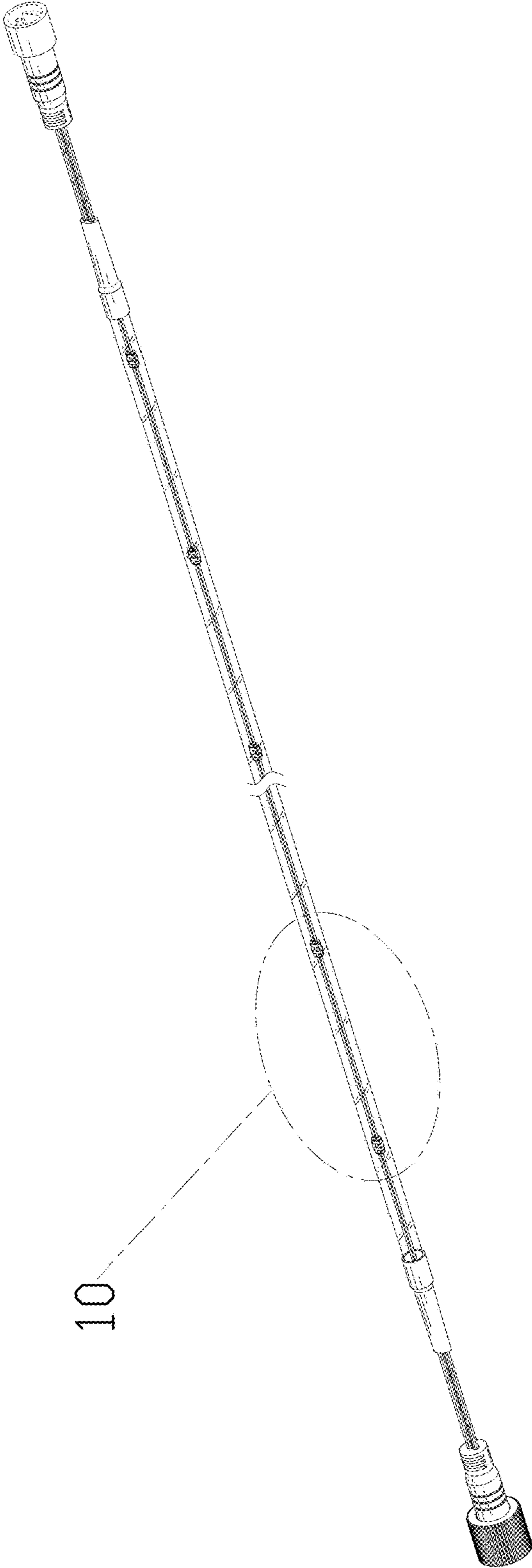


FIG. 2

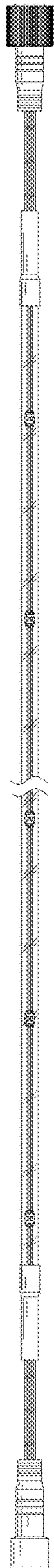


FIG. 3

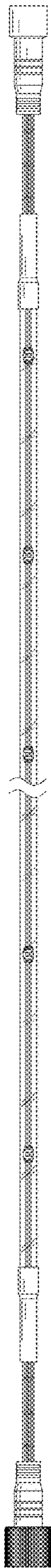


FIG. 4

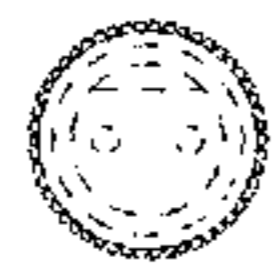


FIG. 5

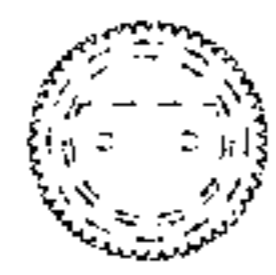


FIG. 6

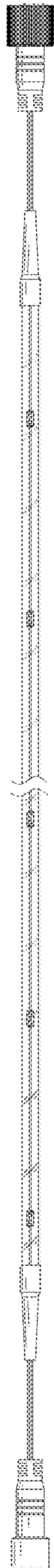


FIG. 7

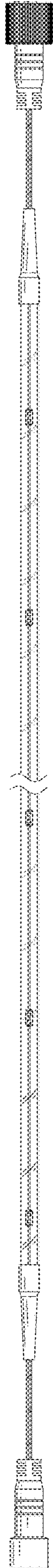


FIG. 8

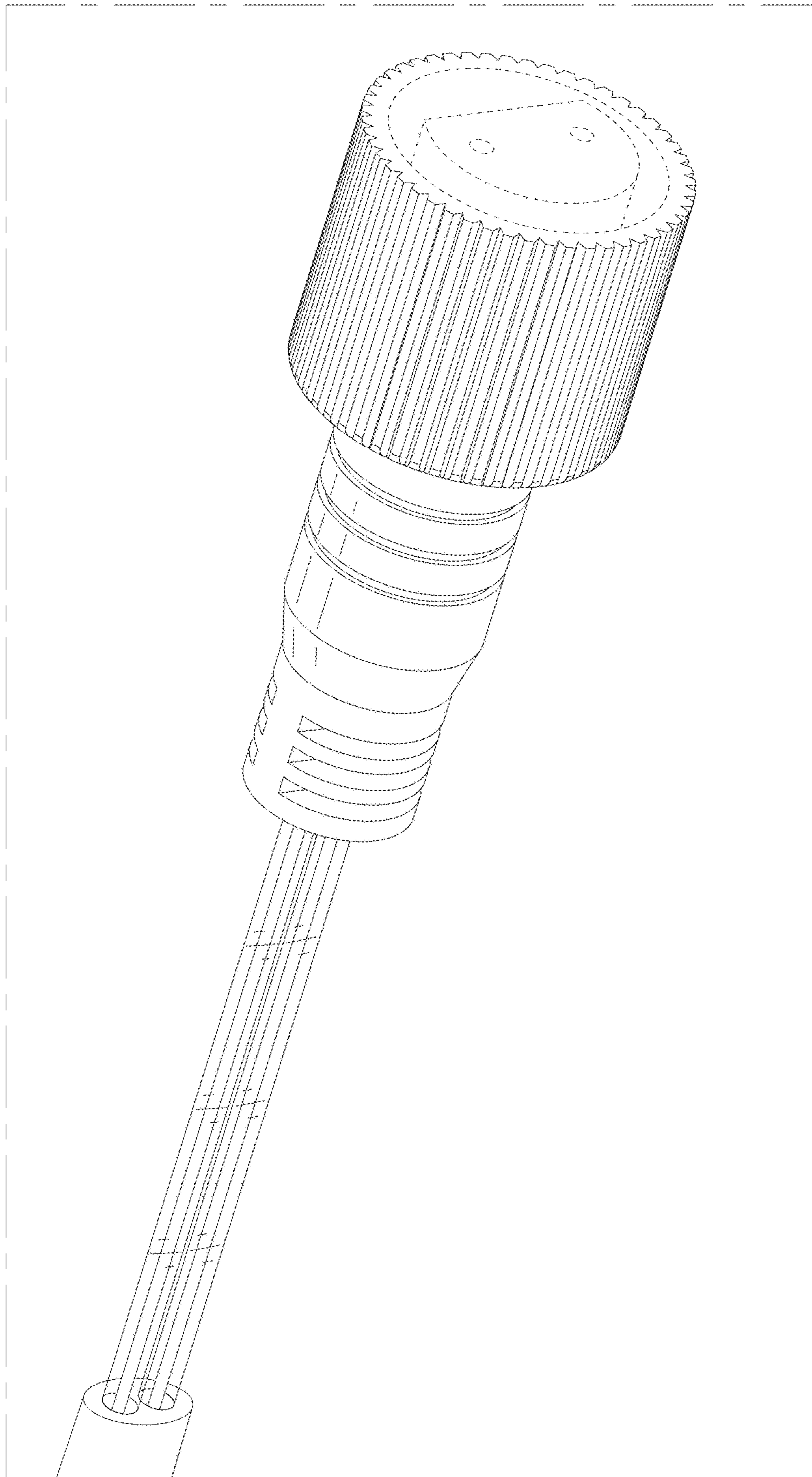


FIG. 9

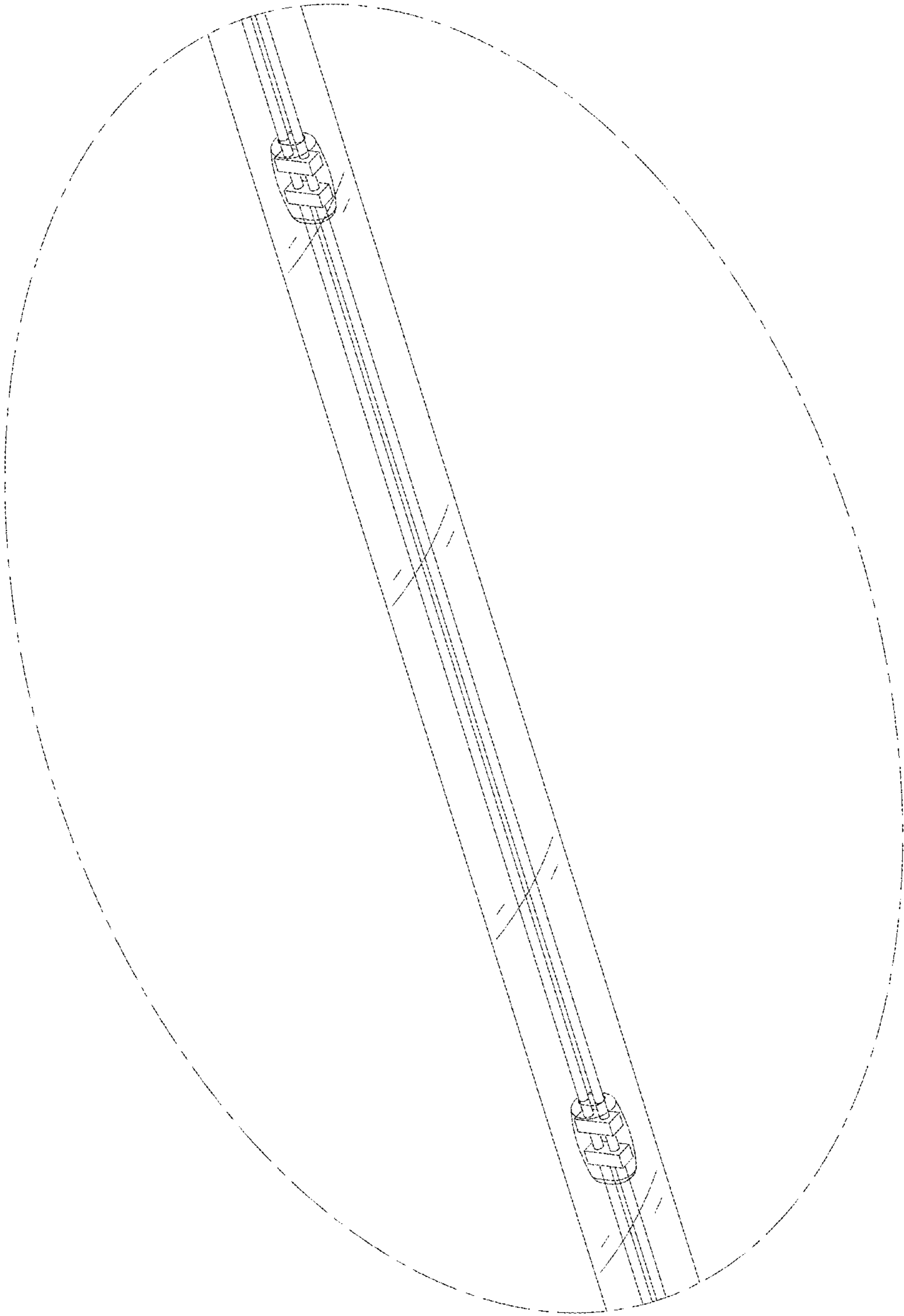


FIG. 10