



US00D961117S

(12) **United States Design Patent** (10) **Patent No.:** **US D961,117 S**
Young (45) **Date of Patent:** **** Aug. 16, 2022**

(54) **STAIR TREAD**

8,141,321 B2 3/2012 Young
D661,816 S * 6/2012 Young D25/69
D682,446 S 5/2013 Young
2003/0182880 A1 10/2003 Weaber et al.

(71) Applicant: **Robert Jeffrey Young**, Beaver Dam, KY (US)

(72) Inventor: **Robert Jeffrey Young**, Beaver Dam, KY (US)

(**) Term: **15 Years**

(21) Appl. No.: **29/758,591**

(22) Filed: **Nov. 17, 2020**

(51) **LOC (13) Cl.** **25-04**

(52) **U.S. Cl.**
USPC **D25/69**

(58) **Field of Classification Search**
USPC D25/69; 52/179, 182, 741.2; 280/169
CPC E04F 11/163; E04F 11/16; E04F 11/108;
E04F 11/17; E04F 11/104; E04F
2011/0207
See application file for complete search history.

(56) **References Cited**

U.S. PATENT DOCUMENTS

D22,894 S	11/1893	Booze	
718,821 A	1/1903	Cooper	
D167,994 S	10/1952	McKay	
5,357,724 A	10/1994	Sonoda	
5,475,951 A	12/1995	Litzow	
D389,588 S	1/1998	Dunk	
5,787,674 A	8/1998	Nelson	
5,806,253 A	9/1998	Nelson	
6,067,758 A *	5/2000	Zenkner E04F 11/175 52/182
6,073,408 A	6/2000	Winer et al.	
6,115,975 A	9/2000	Abdollahi	
6,230,454 B1	5/2001	Meagher	
6,960,273 B2	11/2005	Jung	
7,464,505 B2 *	12/2008	Grenier E04F 11/16 52/179

OTHER PUBLICATIONS

Nustair Stair Refacing System—Ideal Stair Parts—Little Falls, NY—Apr. 7, 2010.

* cited by examiner

Primary Examiner — Gino Colan

(74) *Attorney, Agent, or Firm* — Berenato & White, LLC

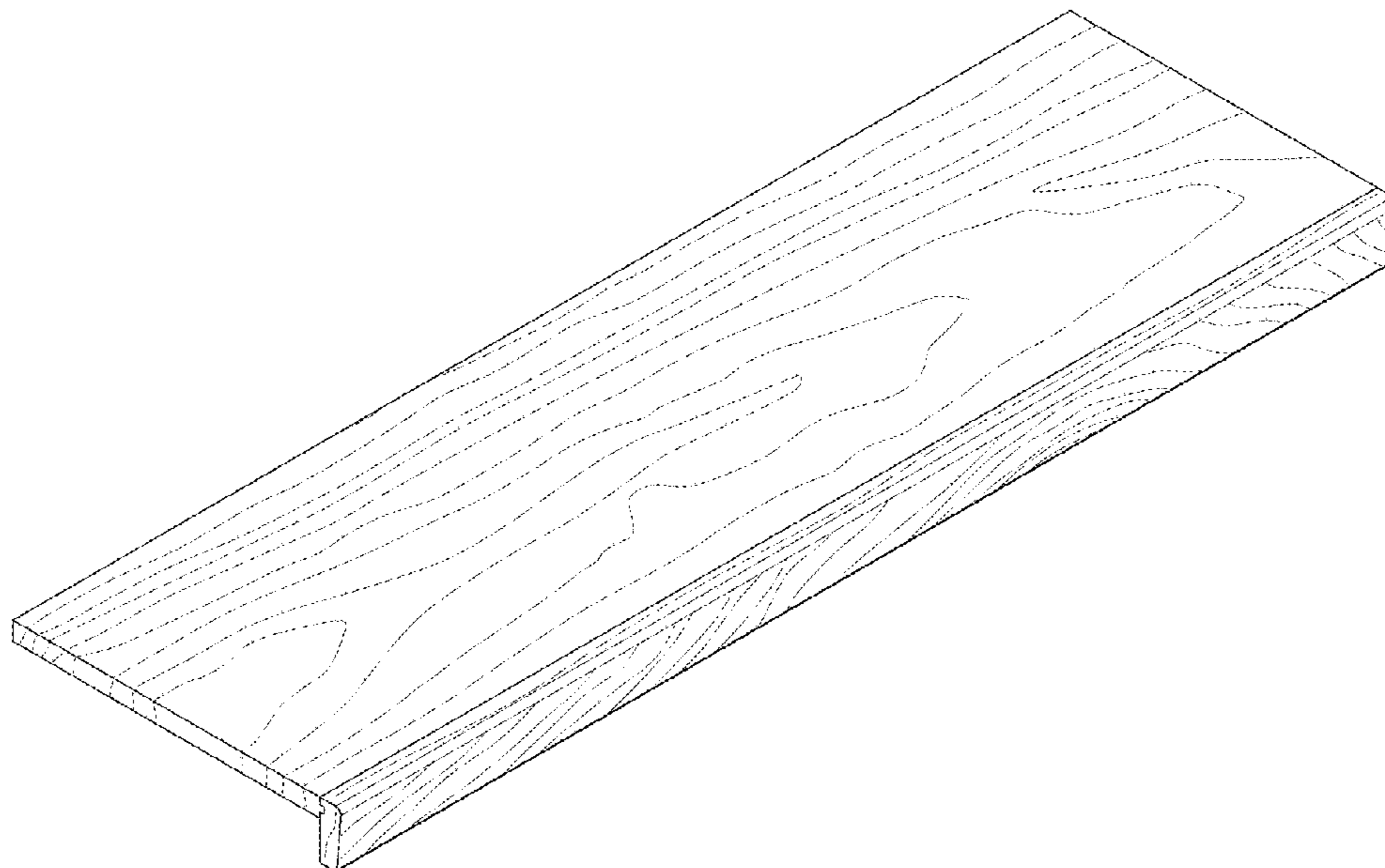
(57) **CLAIM**

The ornamental design for a stair tread, as shown and described.

DESCRIPTION

FIG. 1 is a front perspective view of my stair tread;
FIG. 2 is a front view;
FIG. 3 is a rear view;
FIG. 4 is a left side view;
FIG. 5 is a right side view;
FIG. 6 is an enlarged view of the encircled portion of FIG. 4;
FIG. 7 is a top view;
FIG. 8 is a bottom view;
FIG. 9 is a front perspective view of a second version of my stair tread;
FIG. 10 is a front view;
FIG. 11 is a rear view;
FIG. 12 is a left side view;
FIG. 13 is a right side view;
FIG. 14 is an enlarged view of the encircled portion of FIG. 12;
FIG. 15 is a top view; and,
FIG. 16 is a bottom view.

1 Claim, 10 Drawing Sheets



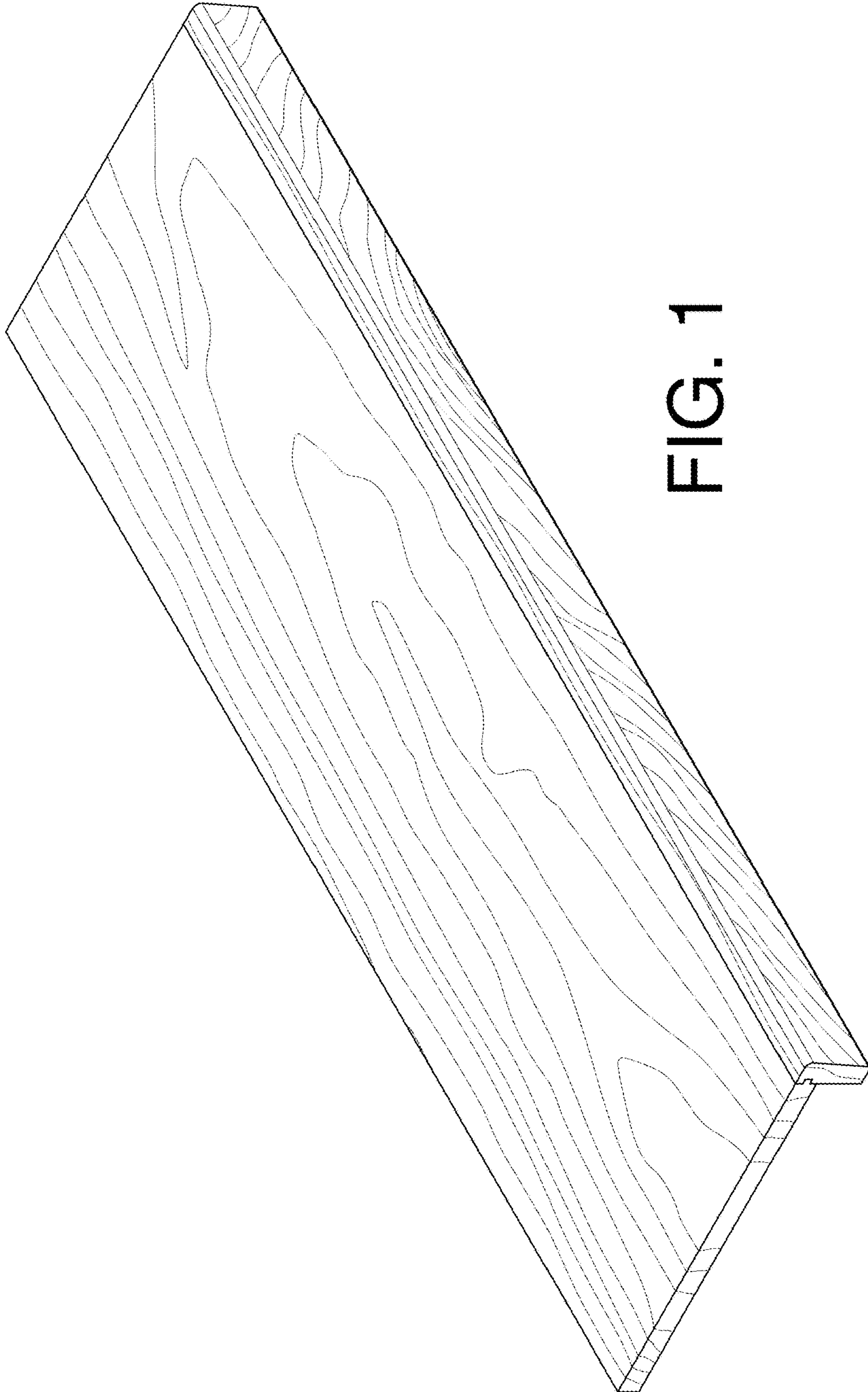


FIG. 1

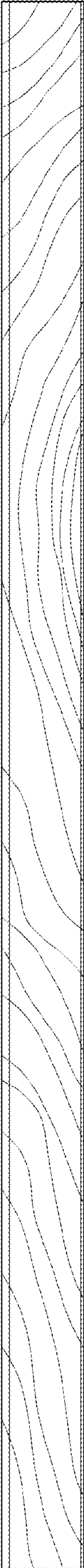


FIG. 2



FIG. 3

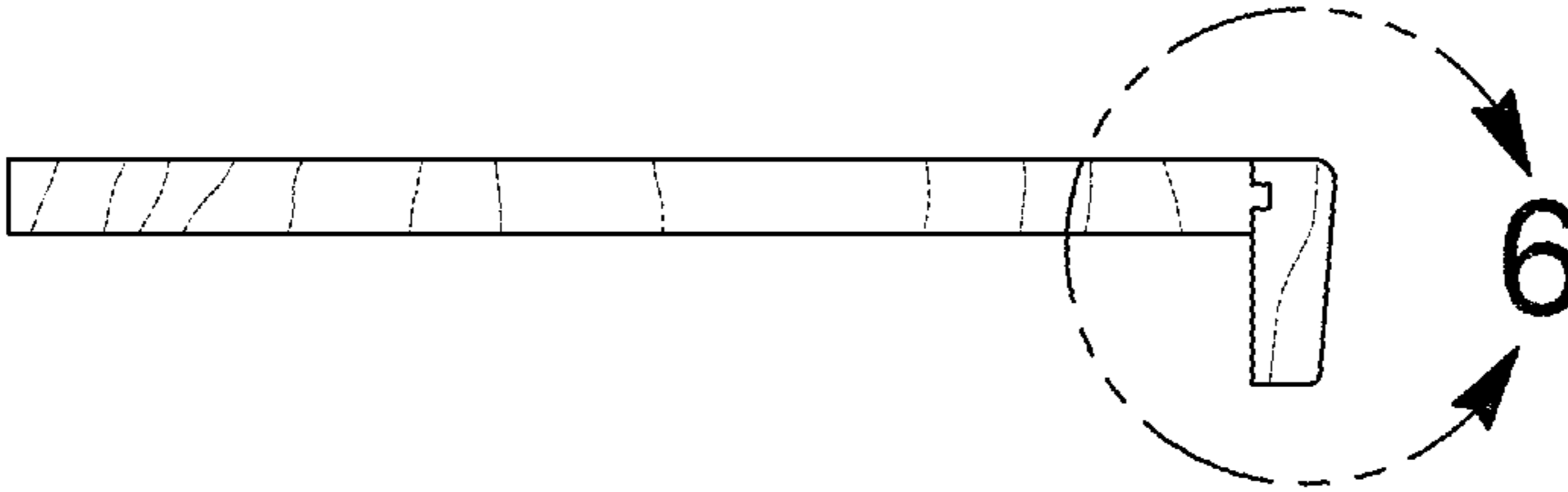


FIG. 4

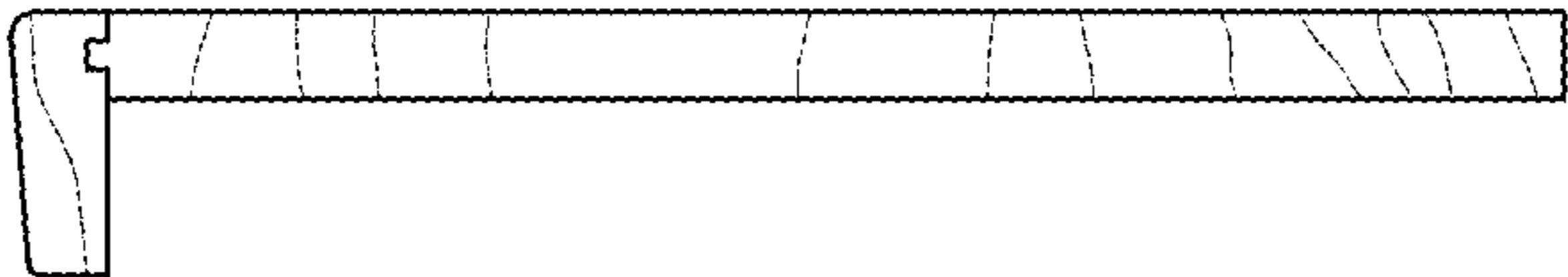
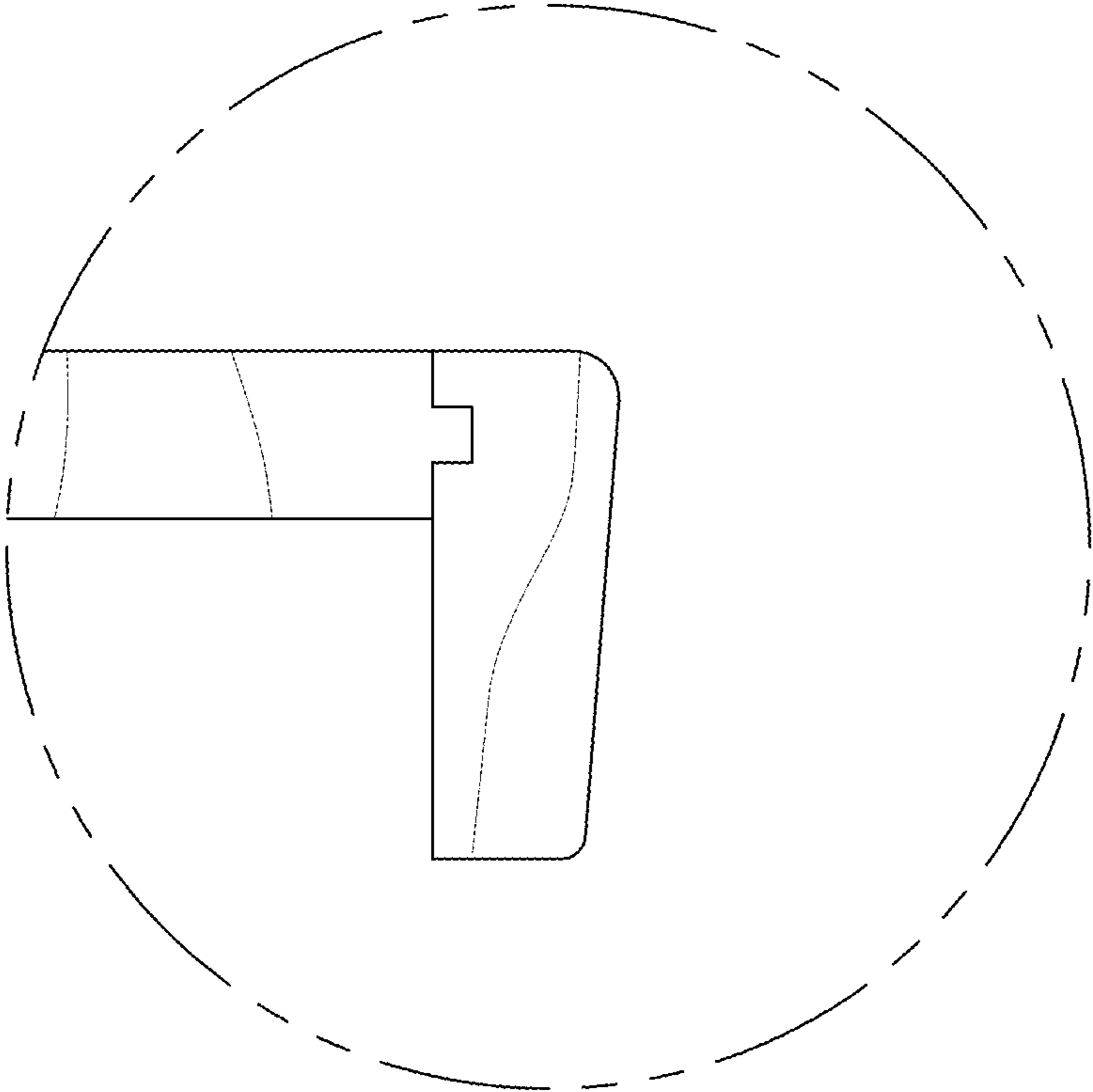


FIG. 5

FIG. 6



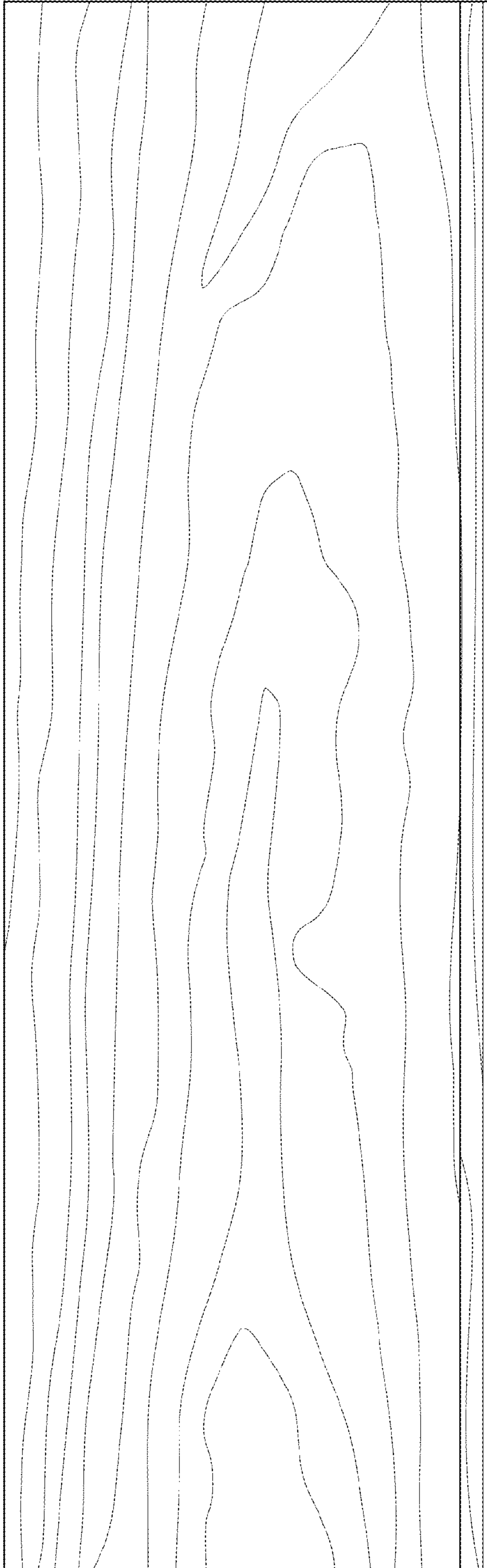


FIG. 7

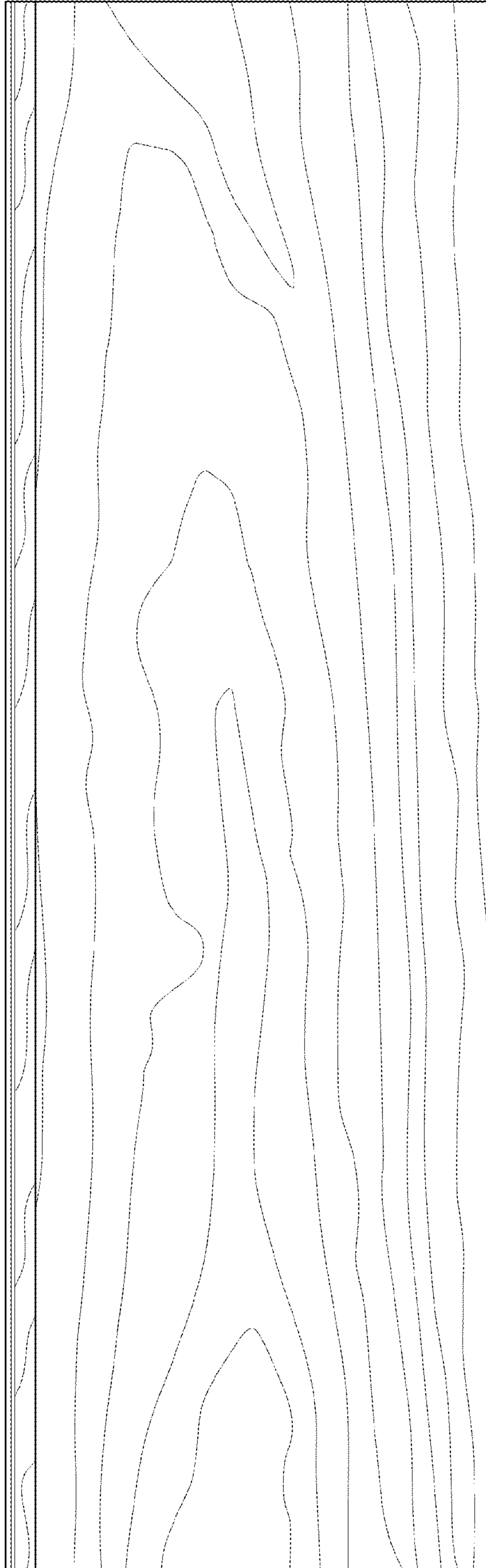


FIG. 8

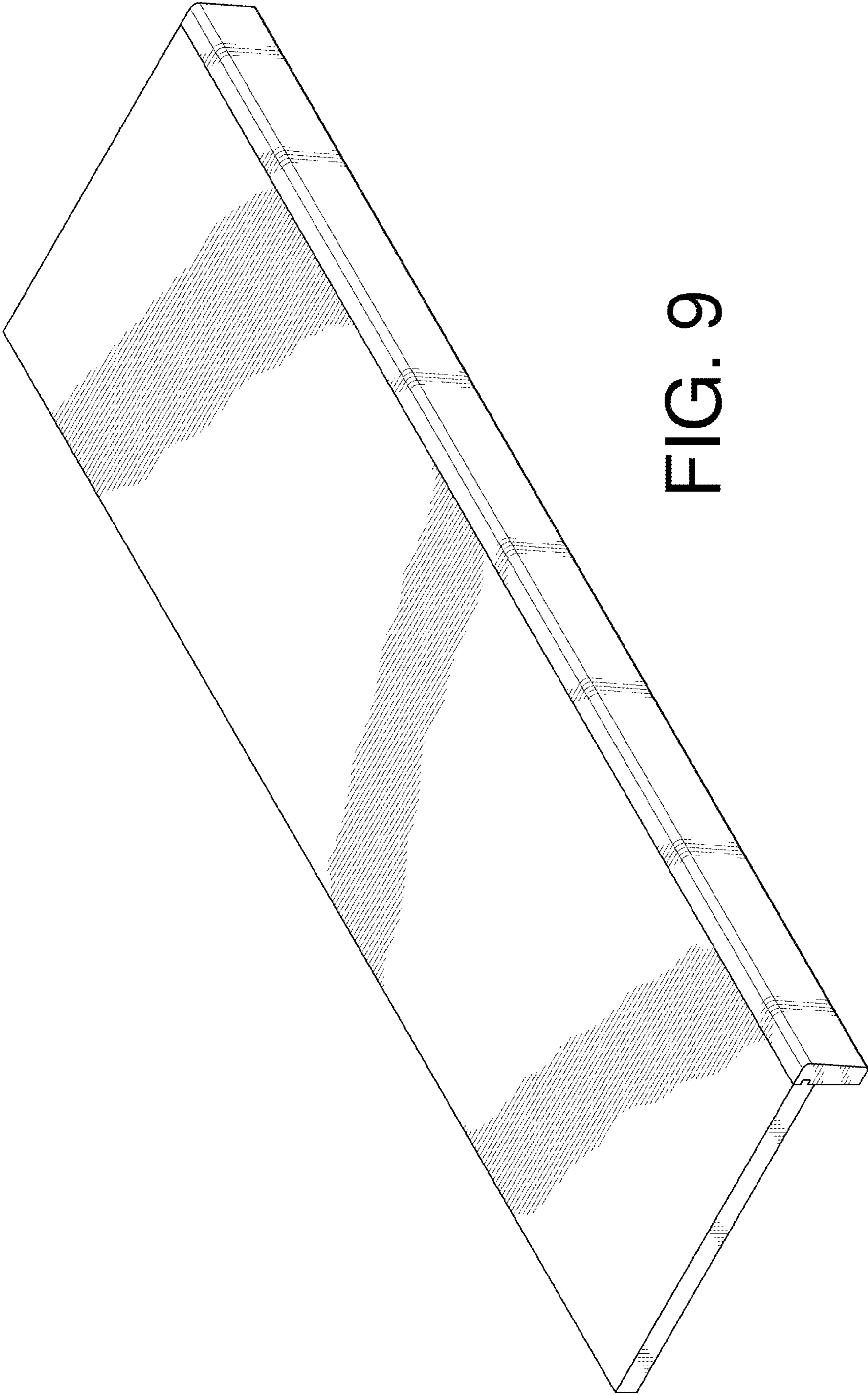


FIG. 9

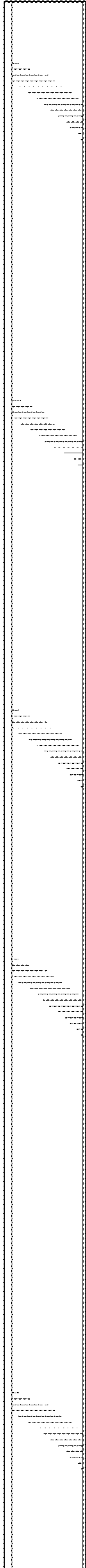


FIG. 10



FIG. 11

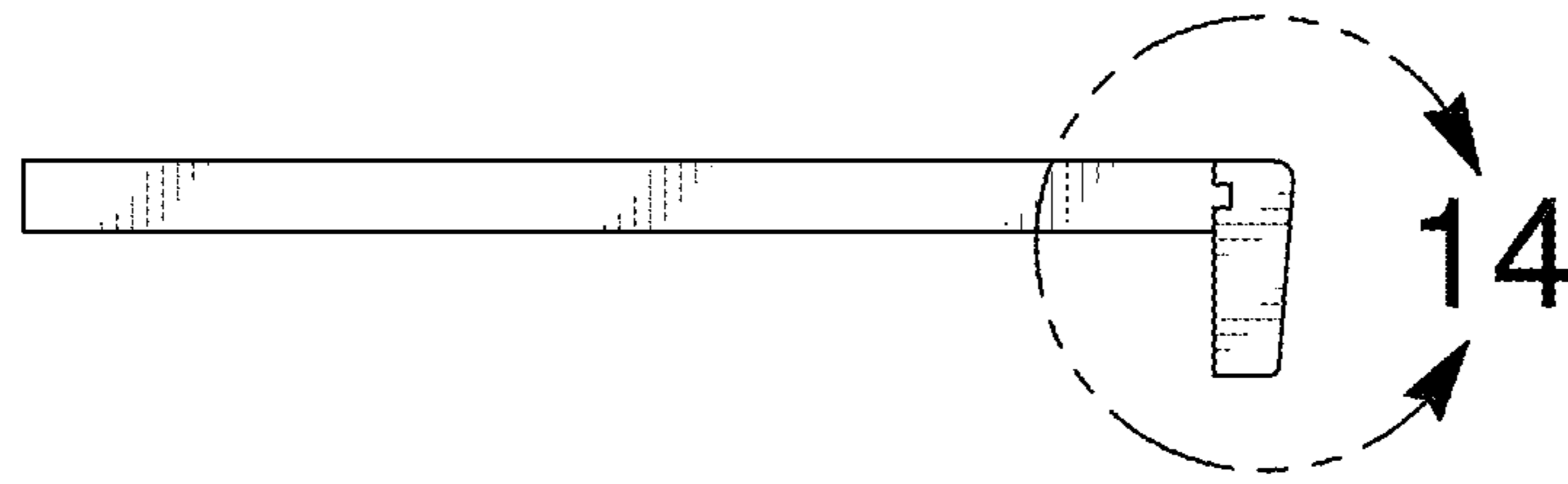


FIG. 12

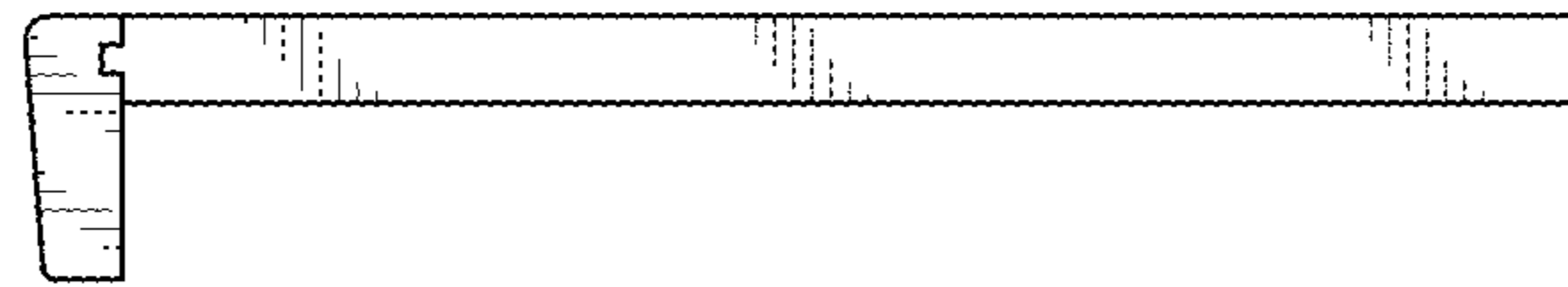
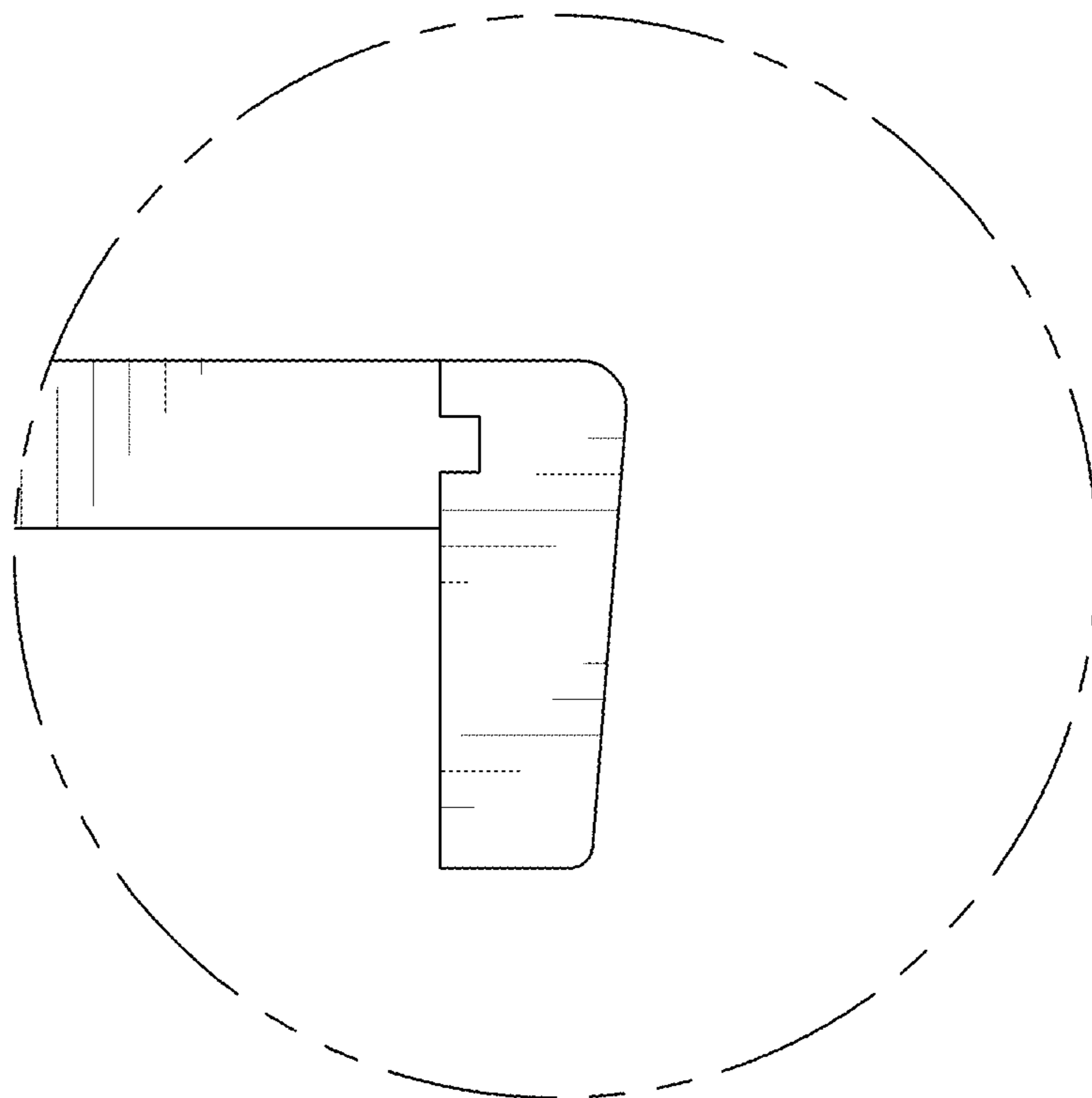


FIG. 13

FIG. 14



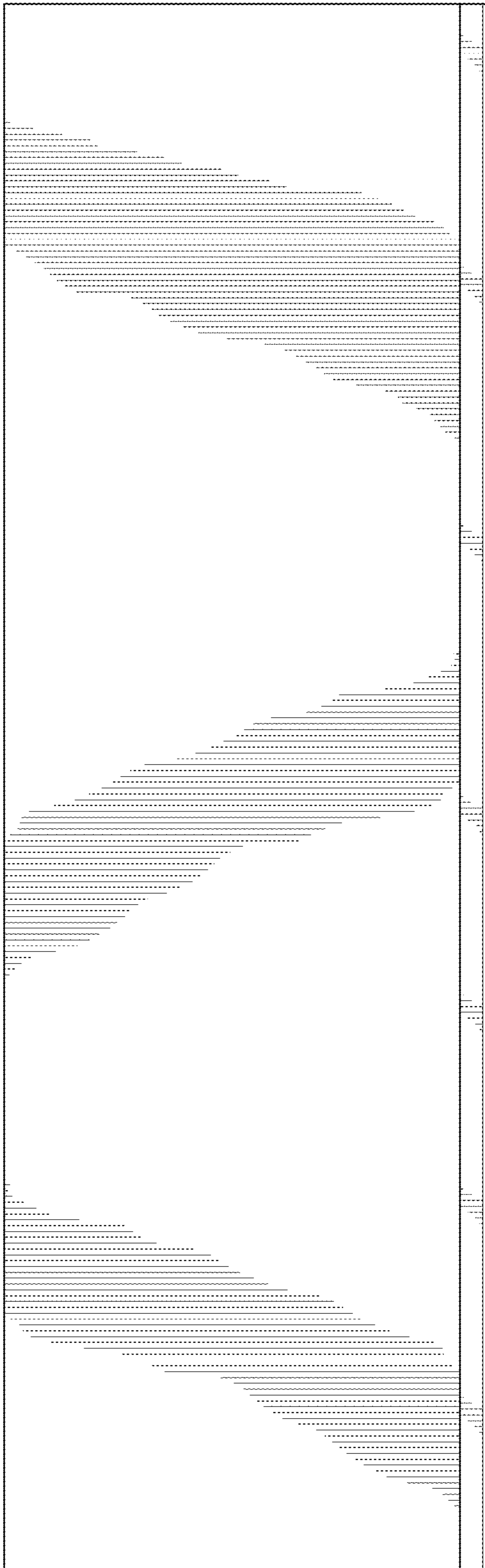


FIG. 15

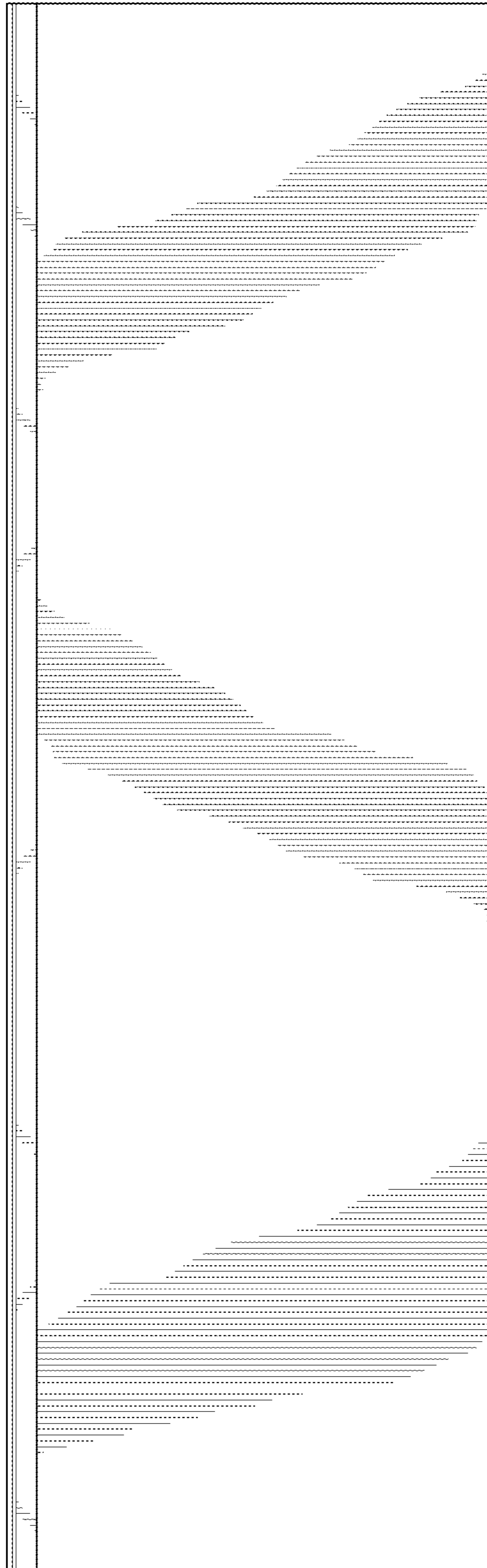


FIG. 16