



US00D961115S

(12) **United States Design Patent**  
**Karnieli et al.**

(10) **Patent No.:** **US D961,115 S**

(45) **Date of Patent:** **\*\* Aug. 16, 2022**

(54) **BIOREACTOR CABINET**

(71) Applicant: **ADVA Biotechnology Ltd.**, Kiryat Tivon (IL)

(72) Inventors: **Ohad Karnieli**, Kiryat Tivon (IL);  
**Noam Bercovich**, Haifa (IL)

(73) Assignee: **ADVA BIOTECHNOLOGY LTD.**, Kiryat Tivon (IL)

(\*\*) Term: **15 Years**

(21) Appl. No.: **29/721,311**

(22) Filed: **Jan. 20, 2020**

(51) **LOC (13) Cl.** ..... **24-01**

(52) **U.S. Cl.**  
USPC ..... **D24/232**

(58) **Field of Classification Search**  
USPC ..... D24/107, 169, 185, 186, 216–219,  
D24/231–234; D10/81

CPC ..... G01N 2035/00306; G01N 2035/00326;  
G01N 2035/00336; G01N 2030/027;  
G01N 21/6458; G01N 21/6484; G01N  
21/6486; G01N 21/76; G01N 35/025;  
G01N 35/1085; G01N 2021/6432; C12Q  
1/6869; C12Q 1/6806

See application file for complete search history.

(56) **References Cited**

**U.S. PATENT DOCUMENTS**

D368,143 S \* 3/1996 Willows ..... D24/232  
D599,234 S \* 9/2009 Ito ..... D10/81  
D750,989 S \* 3/2016 Shimizu ..... D24/234  
D776,825 S \* 1/2017 Patil ..... D24/232  
D864,415 S \* 10/2019 Norton ..... D24/232  
D871,605 S \* 12/2019 Kang ..... D24/216  
D888,985 S \* 6/2020 Hsieh ..... D24/232

D892,352 S \* 8/2020 Huang ..... D24/232  
D901,710 S \* 11/2020 Tadmor ..... D24/216  
2019/0017011 A1\* 1/2019 Patil ..... C12M 23/48

\* cited by examiner

*Primary Examiner* — Anhdao Doan

(74) *Attorney, Agent, or Firm* — Greenberg Traurig, LLP

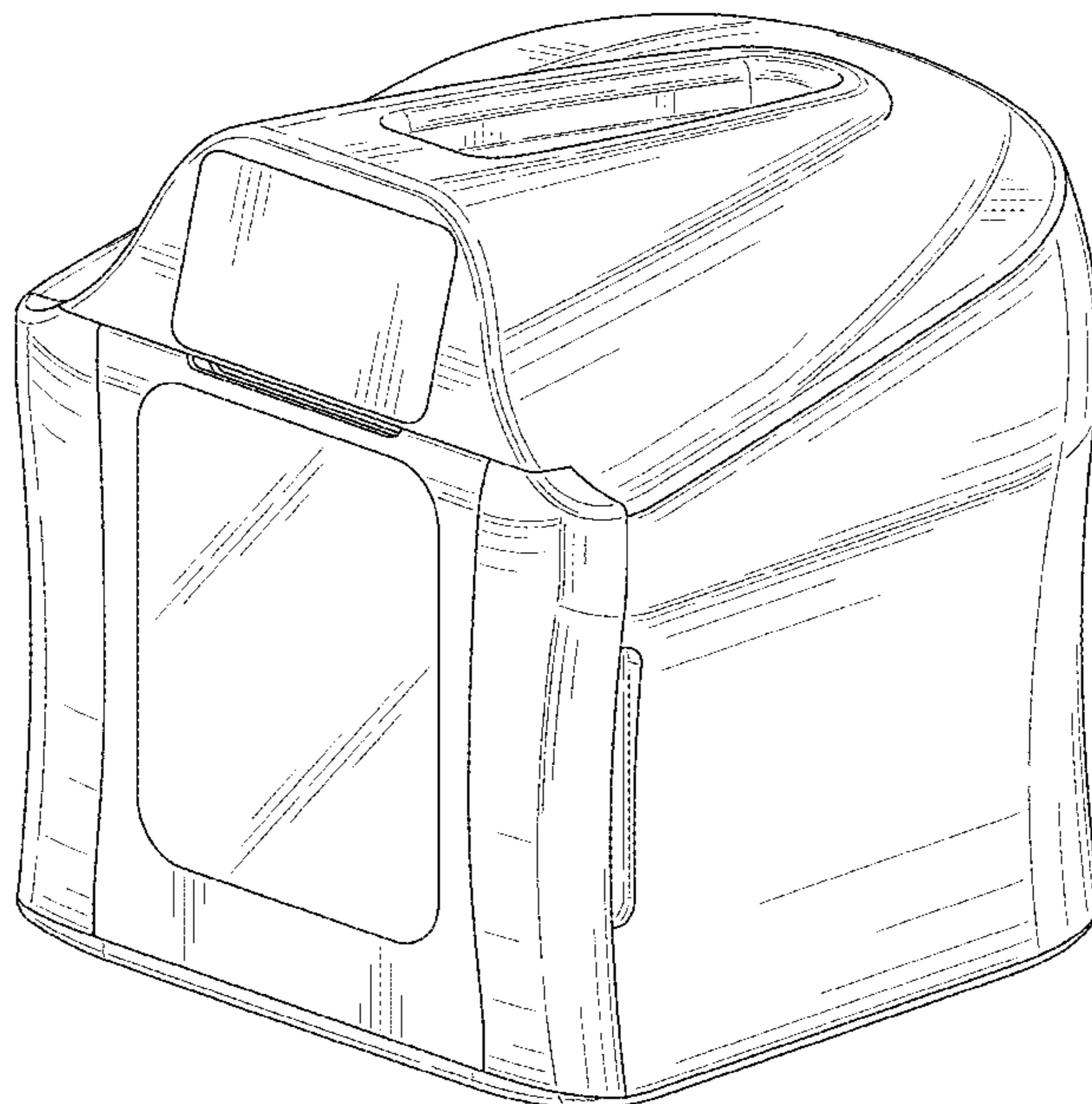
(57) **CLAIM**

The ornamental design for a bioreactor cabinet, as shown and described.

**DESCRIPTION**

FIG. 1 is a perspective view of a bioreactor cabinet;  
FIG. 2 is a front view thereof;  
FIG. 3 is a back view thereof;  
FIG. 4 is a side view thereof;  
FIG. 5 is another side view thereof;  
FIG. 6 is a top view thereof;  
FIG. 7 is a bottom view thereof;  
FIG. 8 is a back perspective view thereof;  
FIG. 9 is a front perspective view thereof with a front right side drawer open;  
FIG. 10 is a front perspective view thereof with a front left side drawer open;  
FIG. 11 is a front perspective view thereof with a front door open, a center drawer fully open, and portion of a drawer lifted;  
FIG. 12 is a front-perspective view thereof with the center drawer open;  
FIG. 13 is a front-perspective view thereof with a front drawer open;  
FIG. 14 is a front to back cut away perspective view thereof with the front drawer open; and,  
FIG. 15 is a side cut away perspective view thereof with the front drawer open.  
The broken lines depict portions of the bioreactor cabinet that form no part of the claimed design.

**1 Claim, 15 Drawing Sheets**



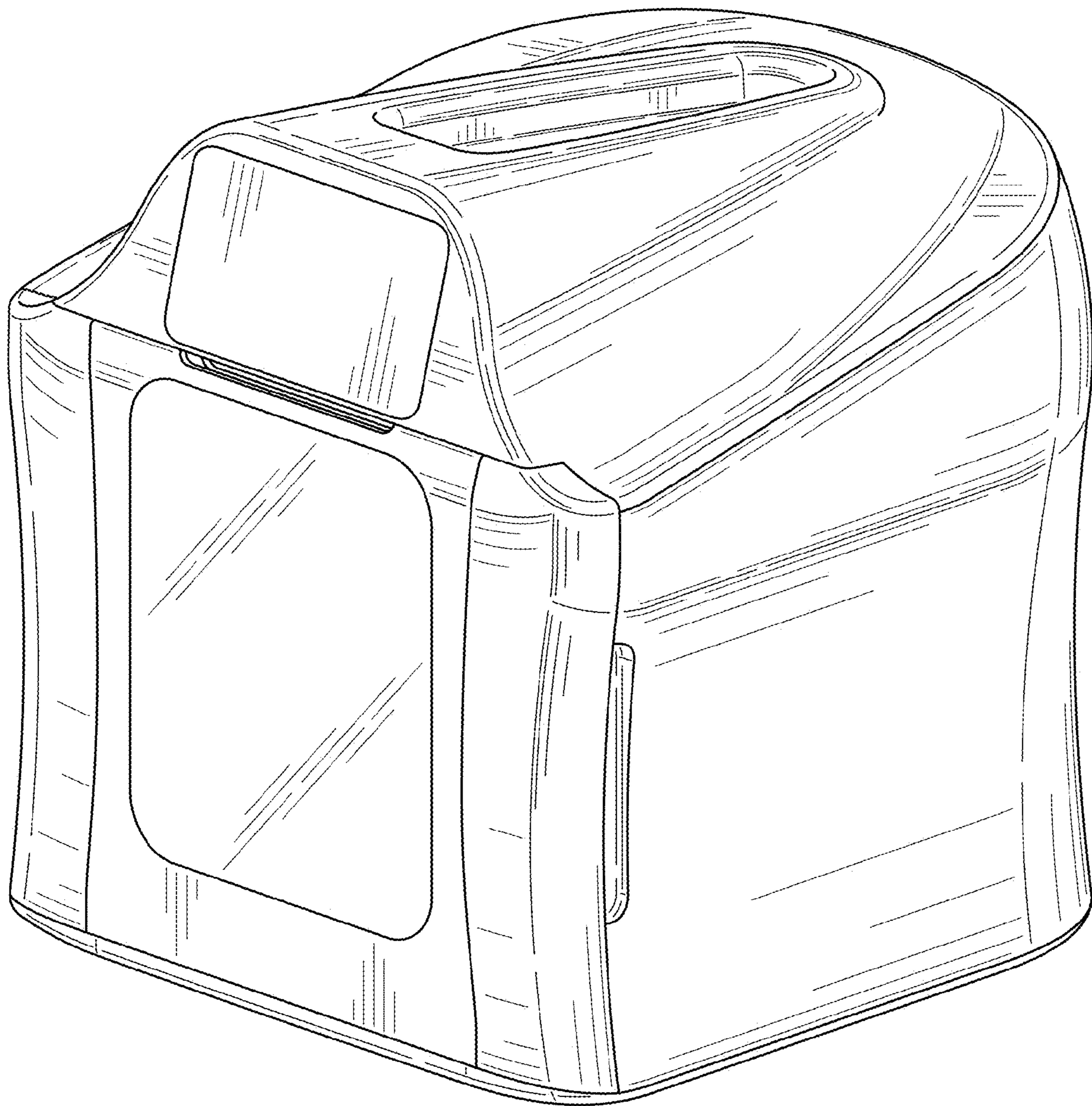


FIG. 1

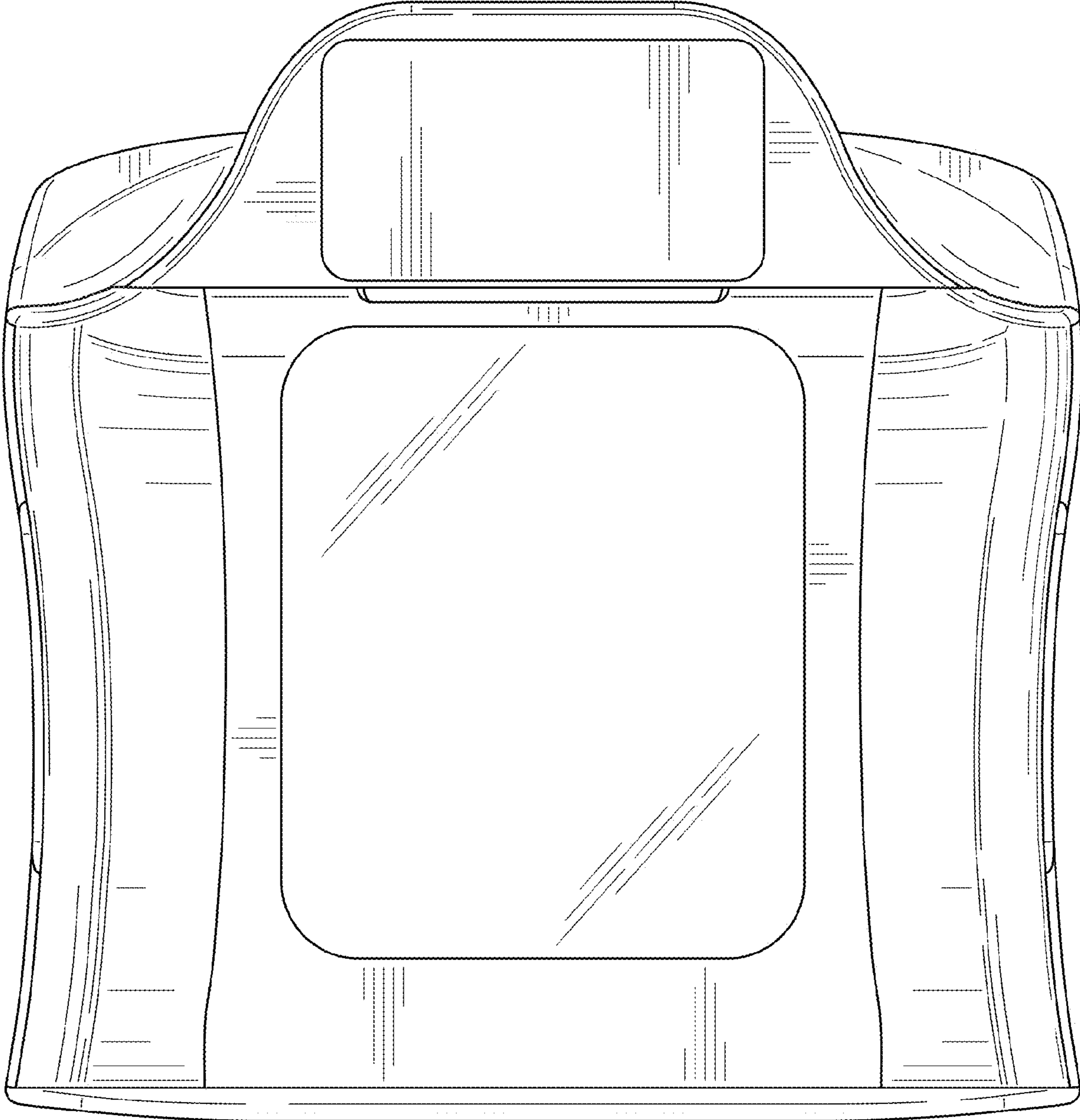


FIG. 2

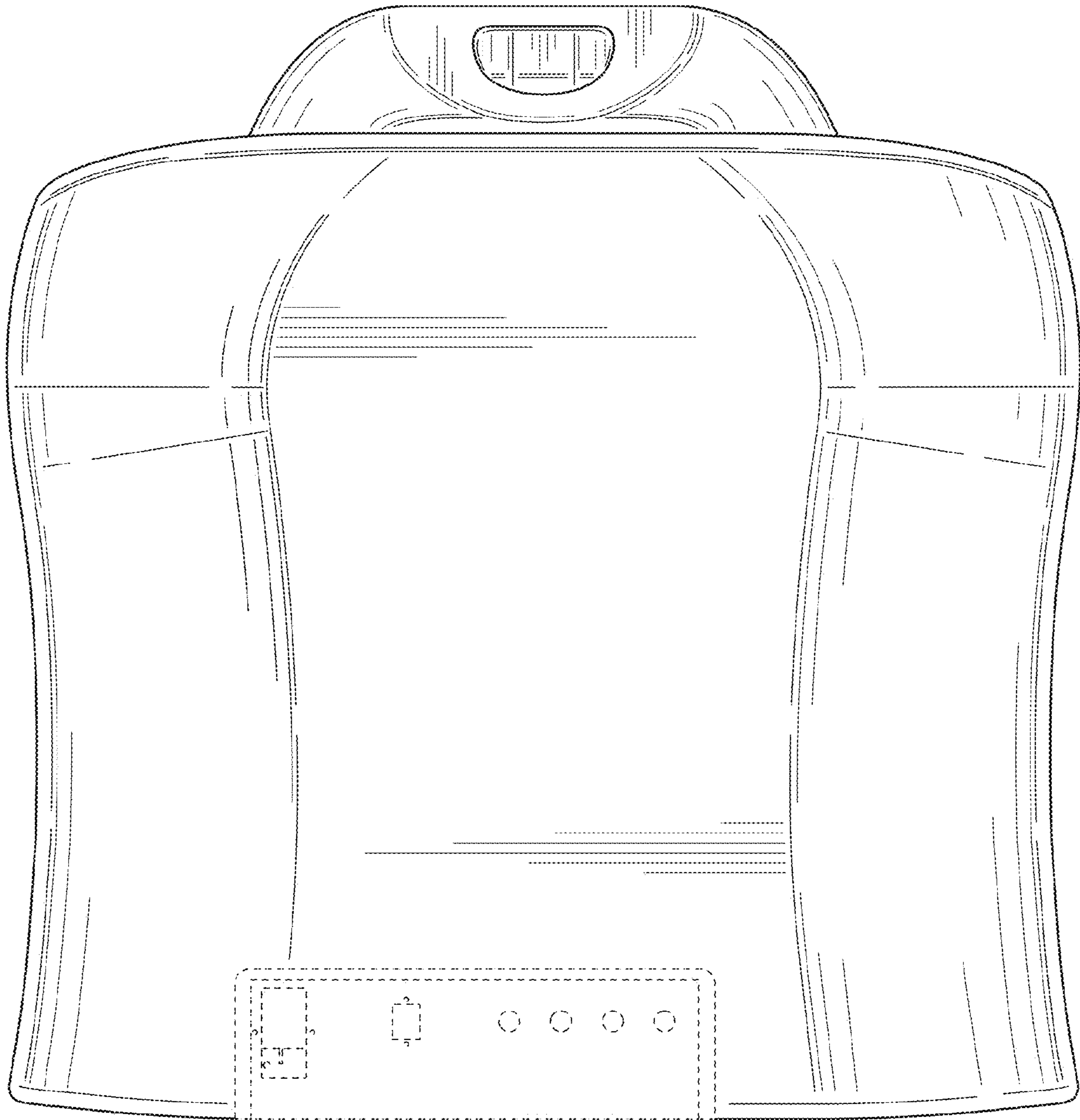


FIG. 3

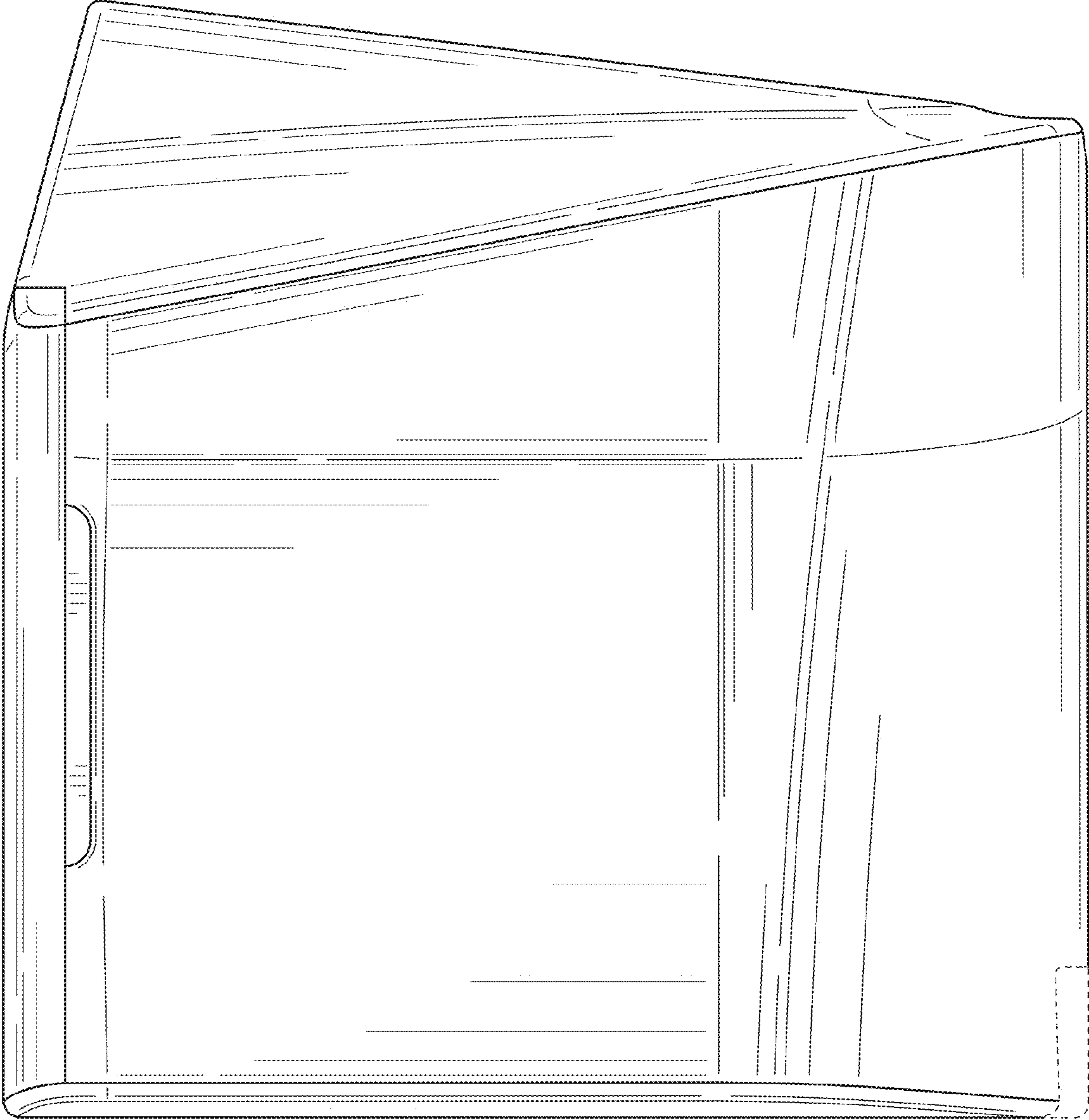


FIG. 4

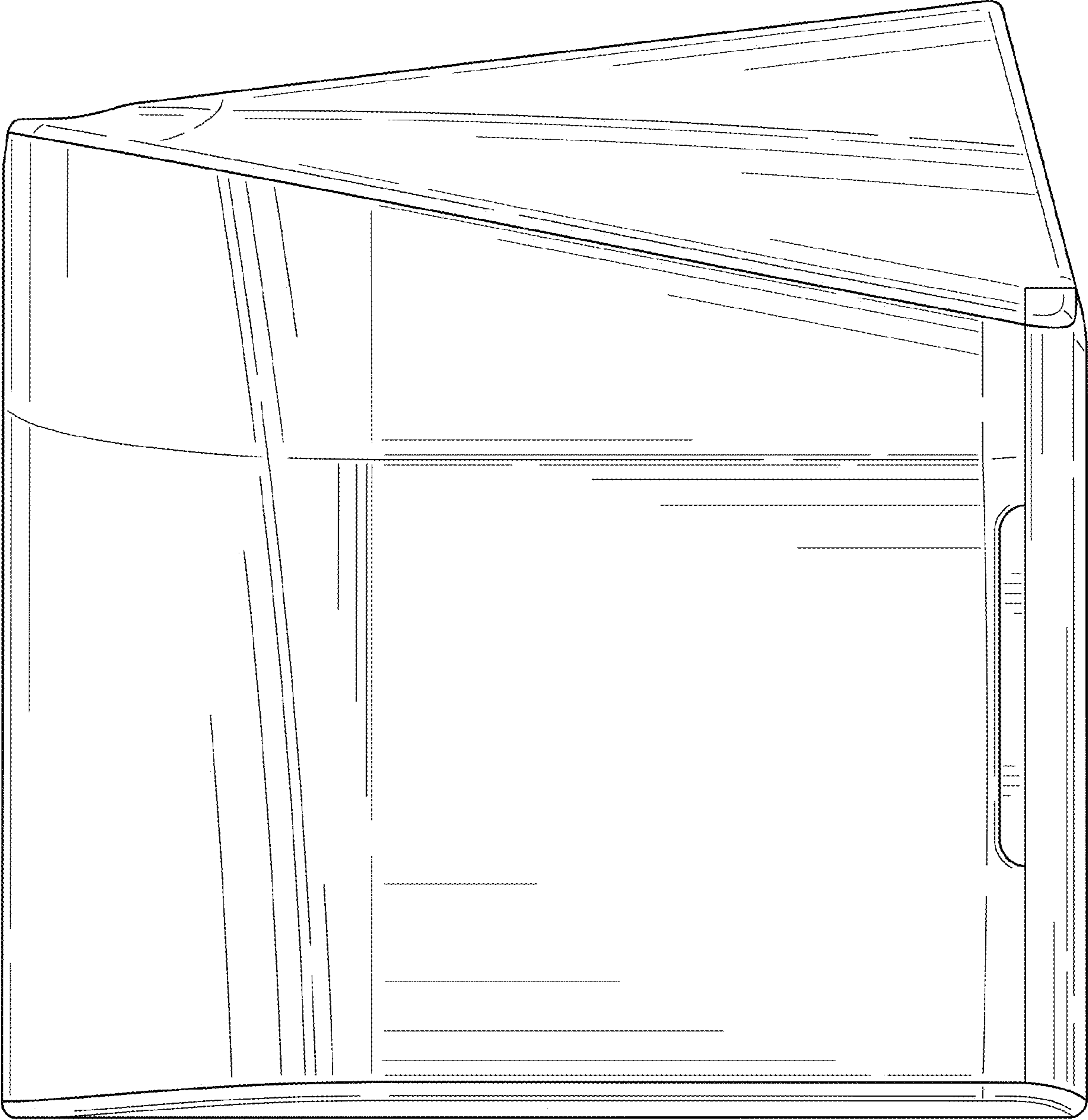


FIG. 5

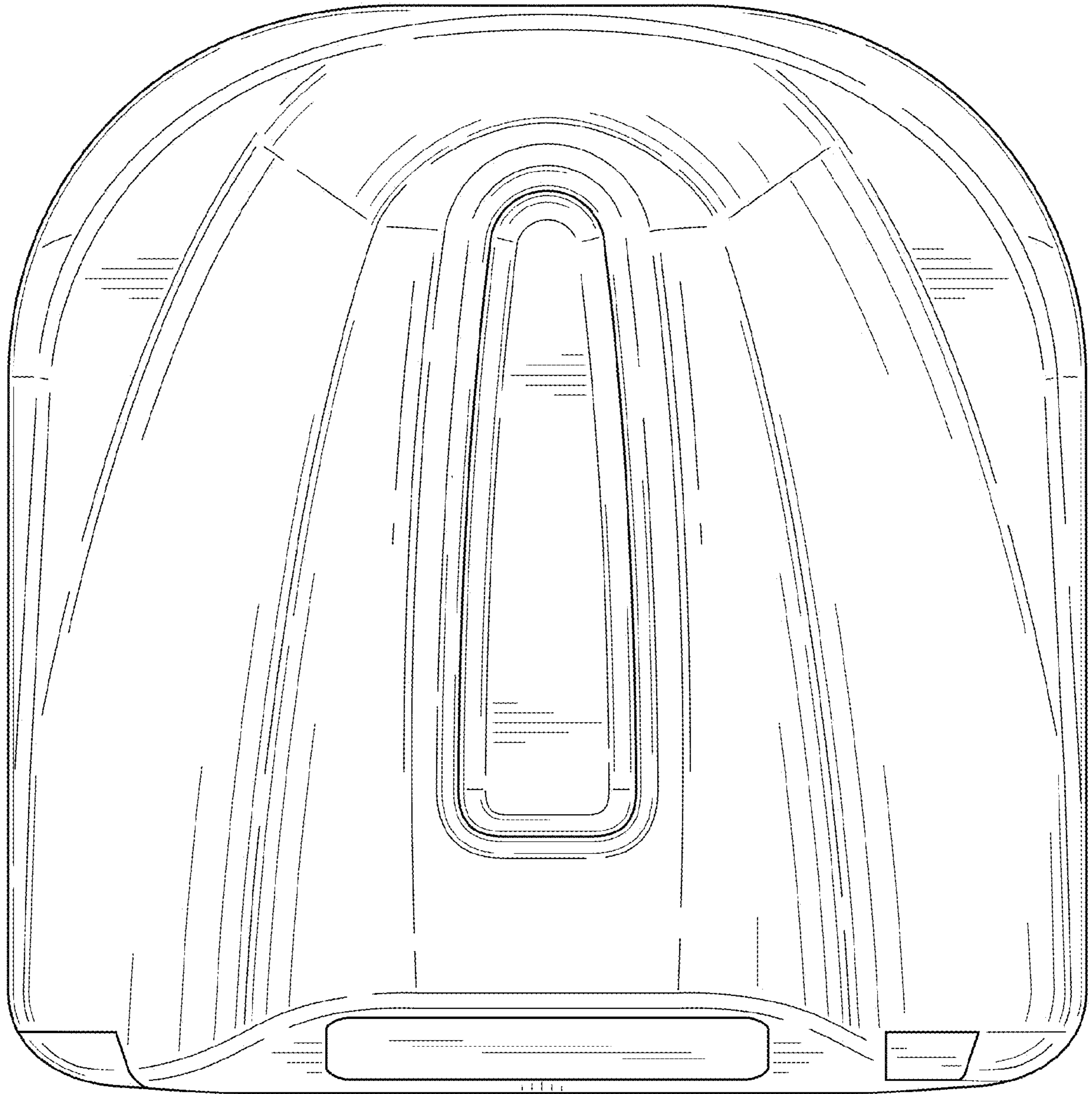


FIG. 6

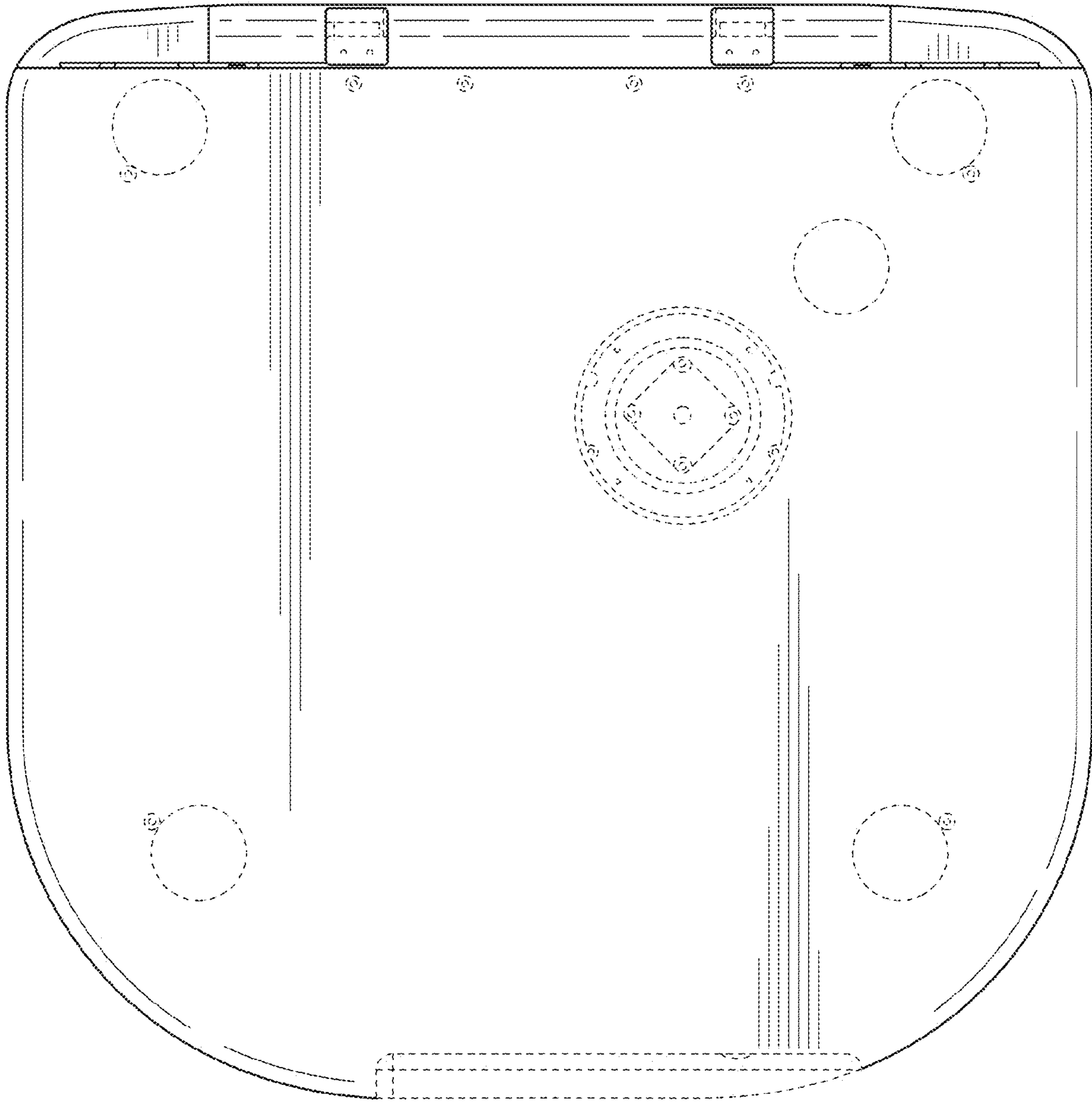


FIG. 7



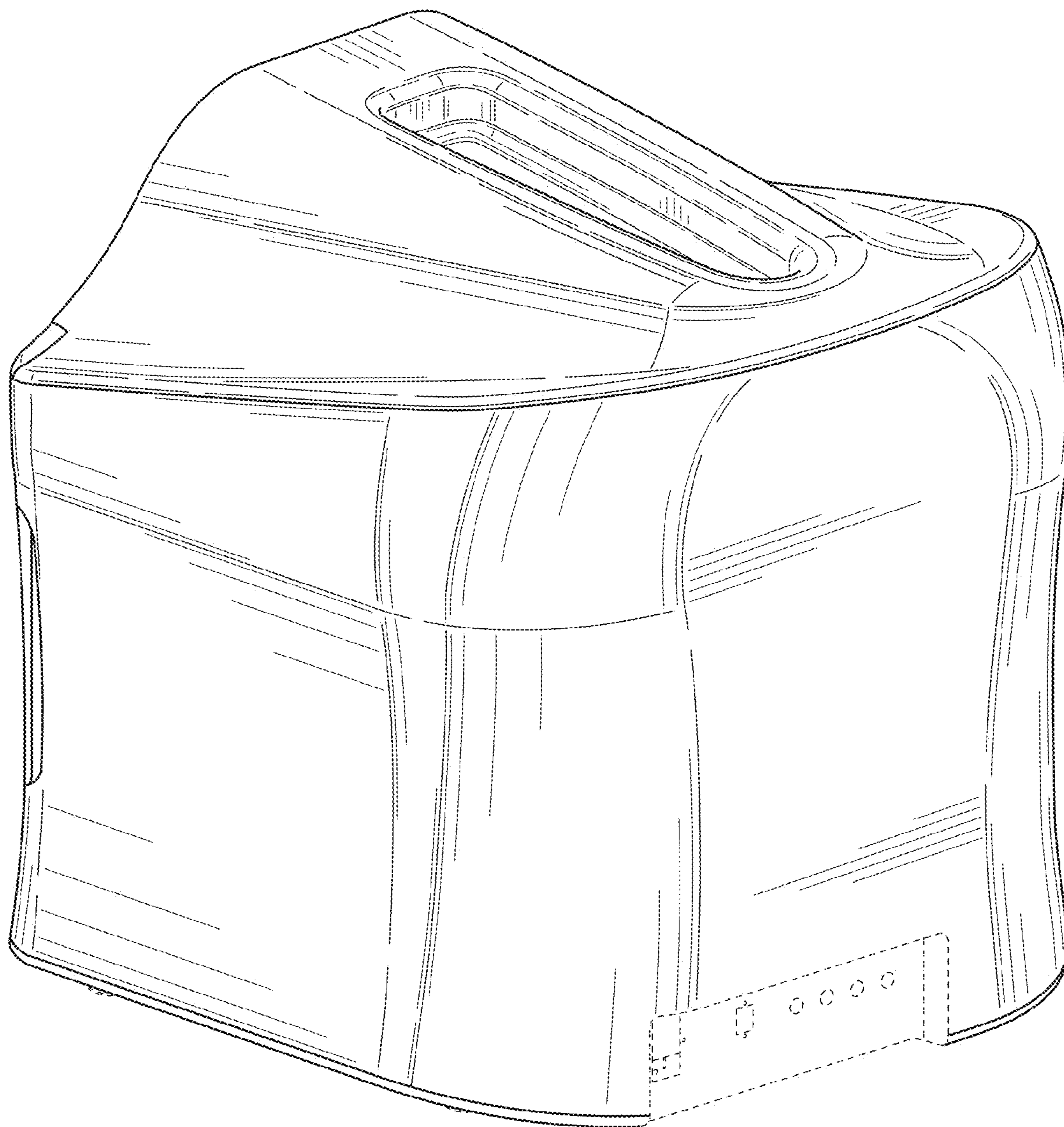


FIG. 8

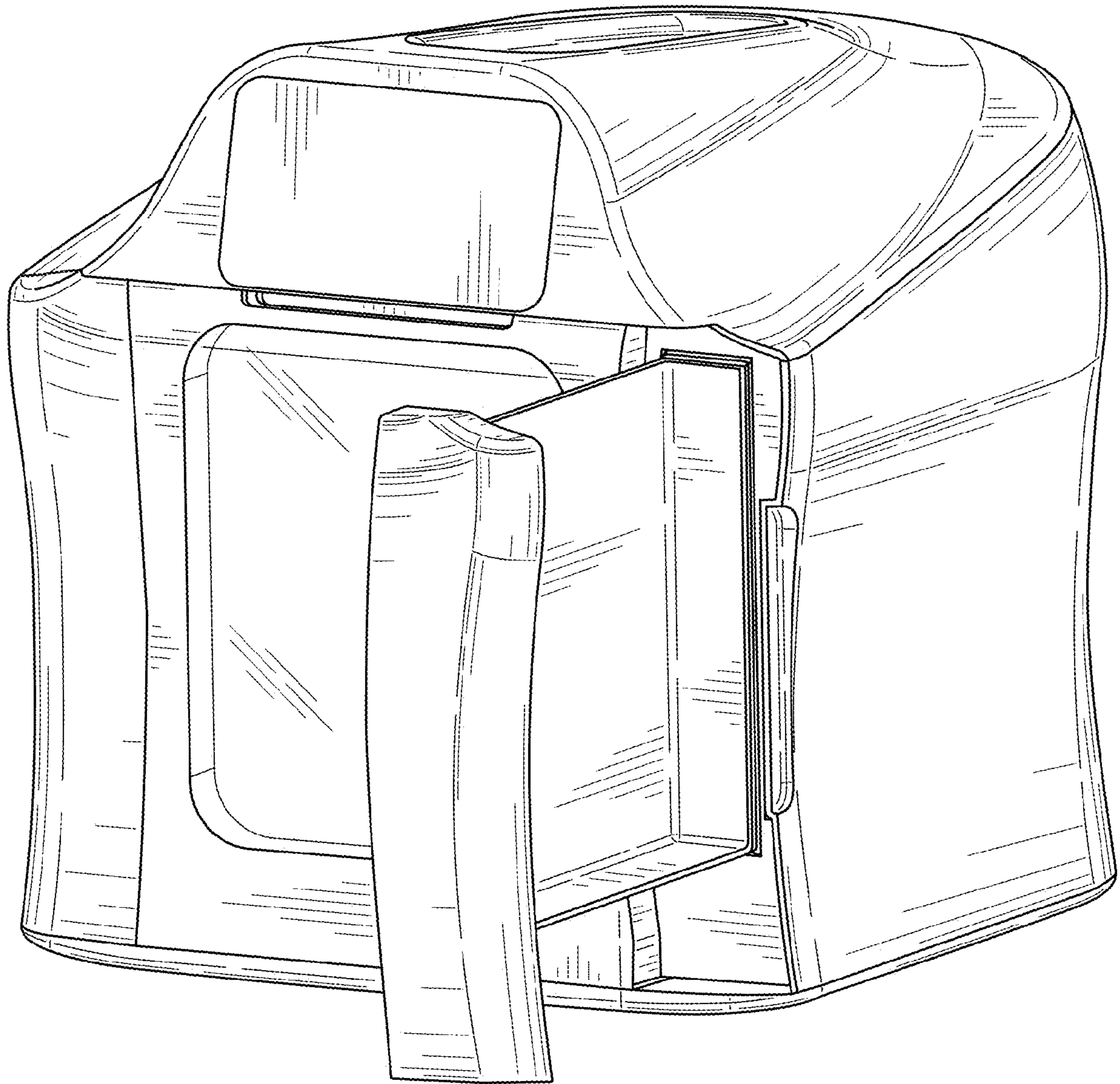


FIG. 9

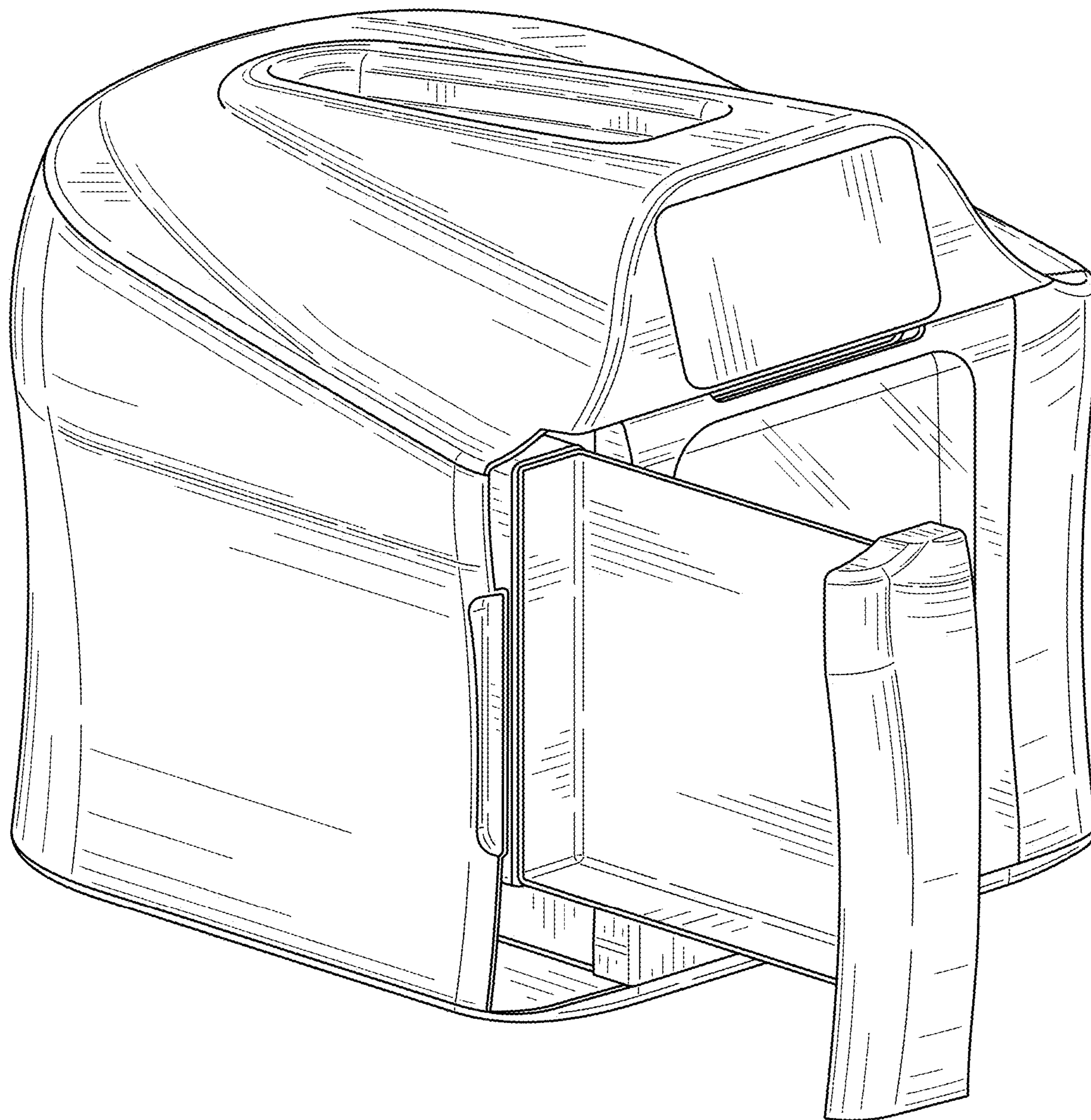


FIG. 10

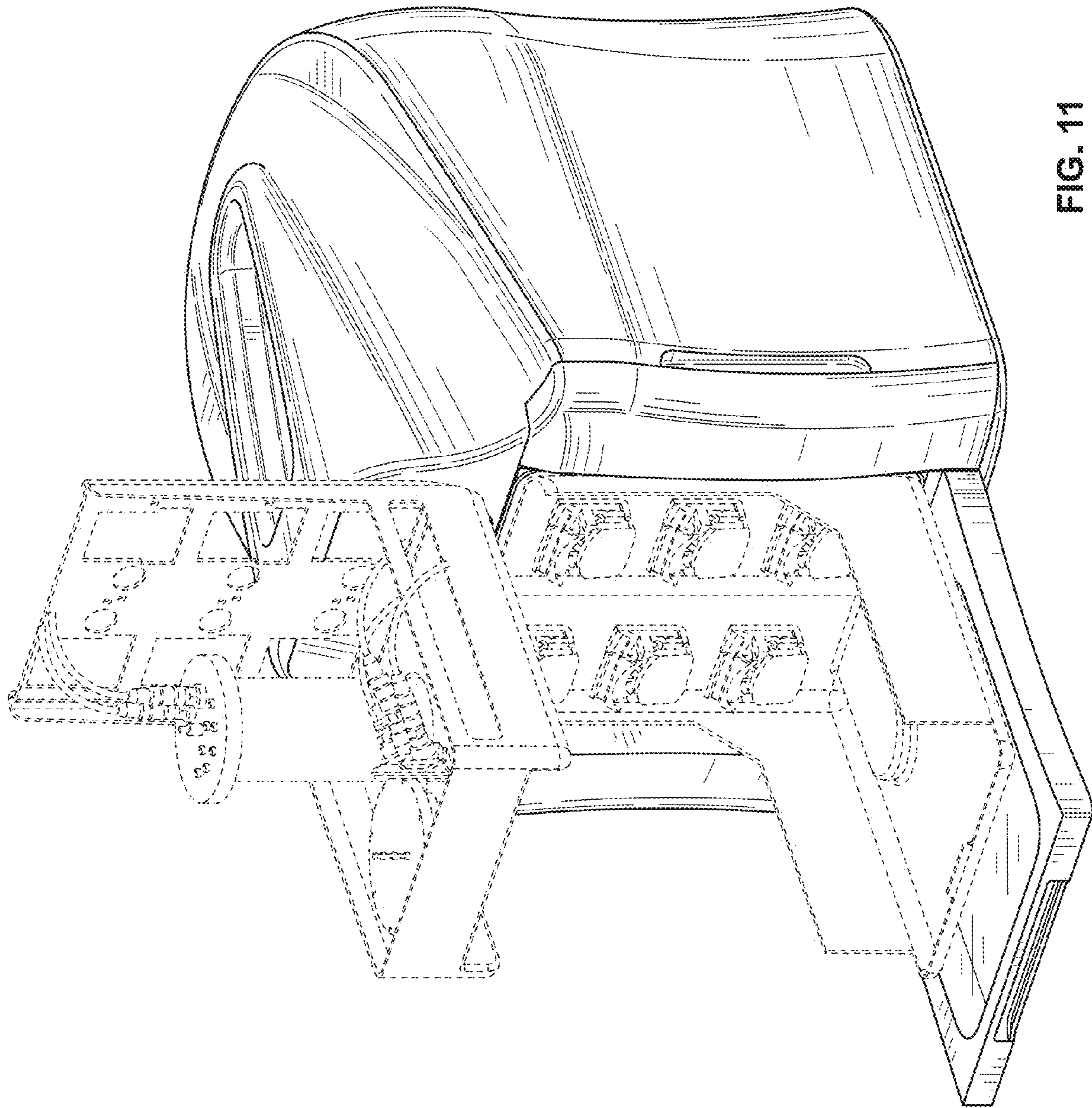


FIG. 11

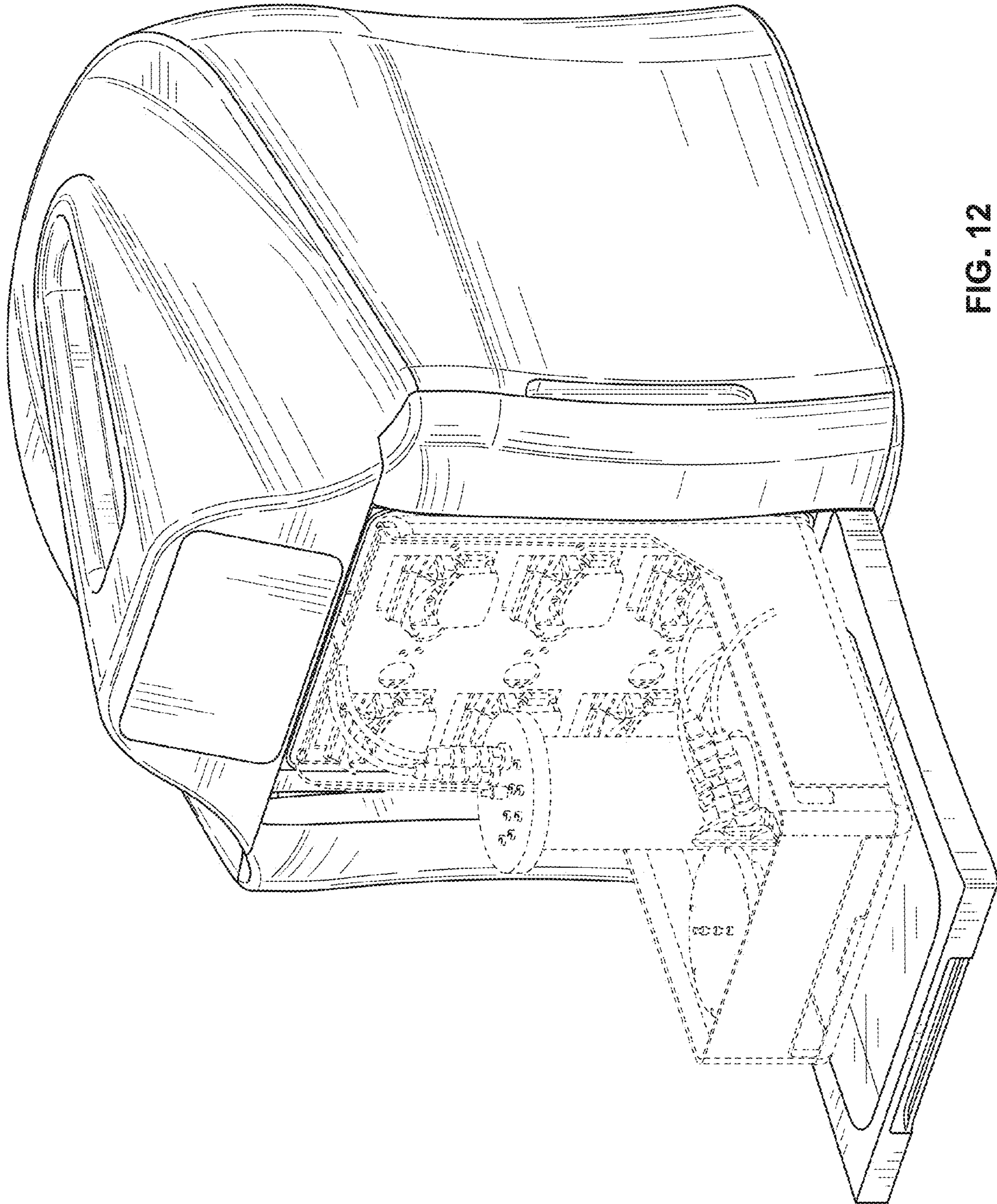


FIG. 12

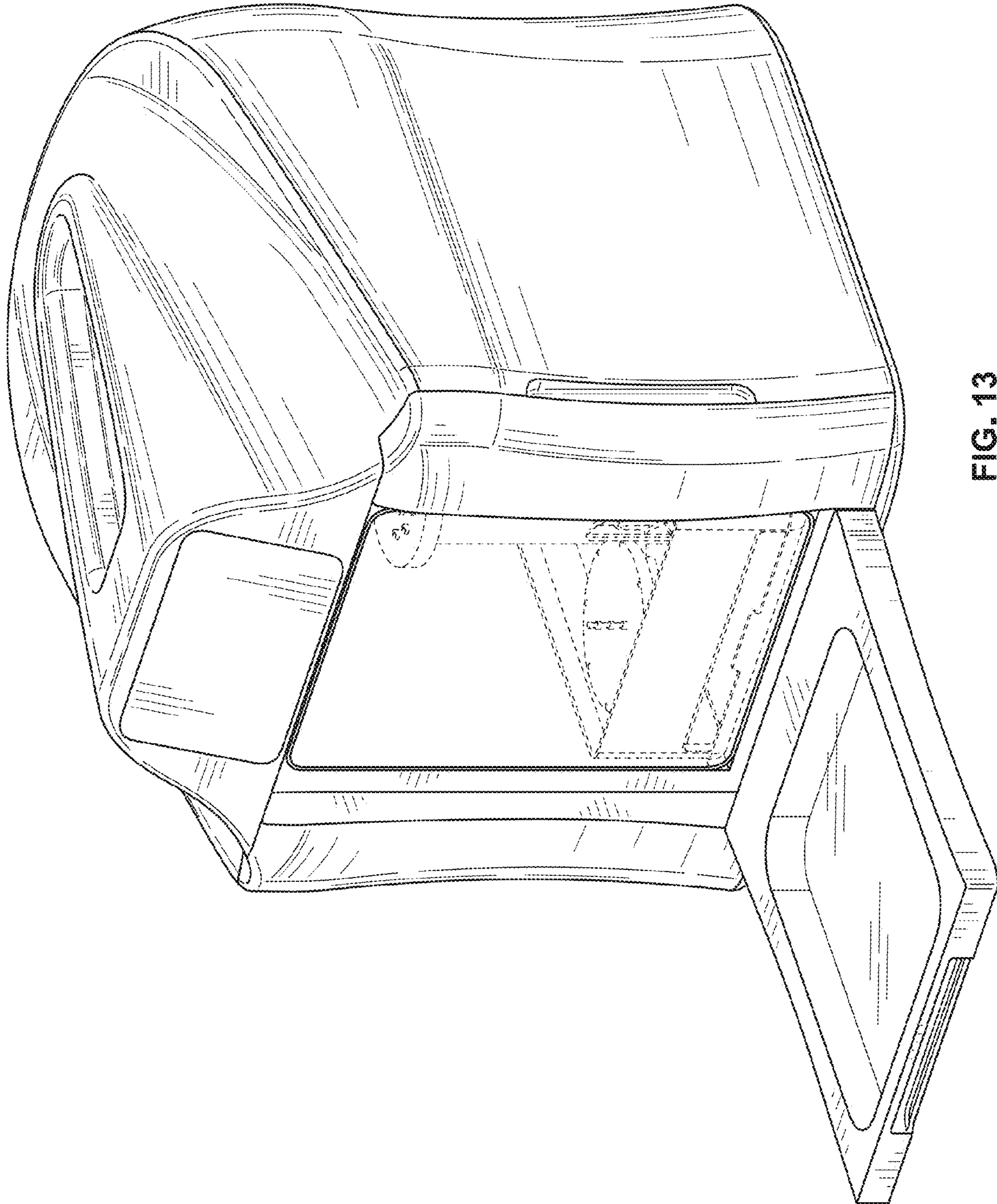


FIG. 13

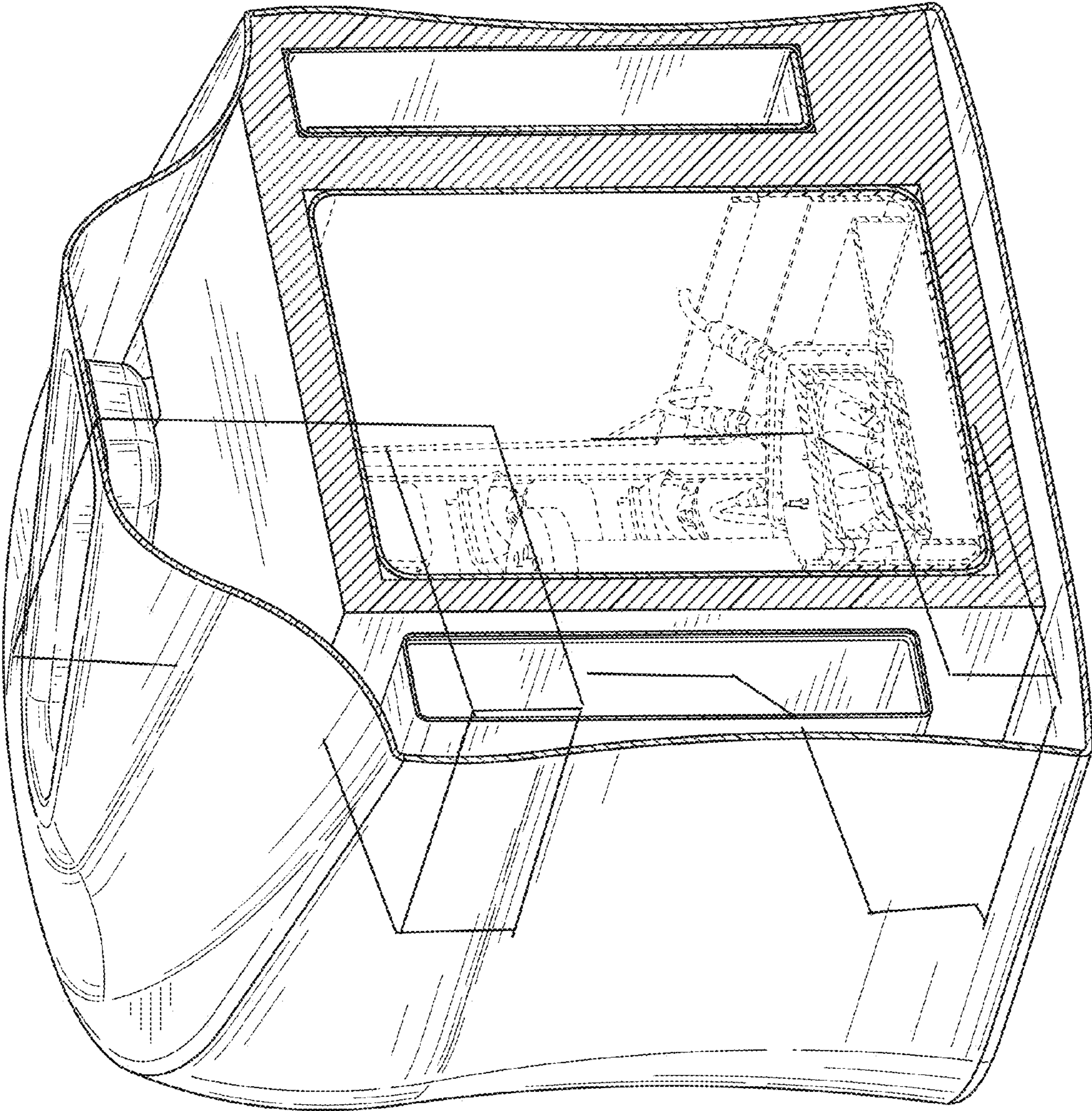


FIG. 14

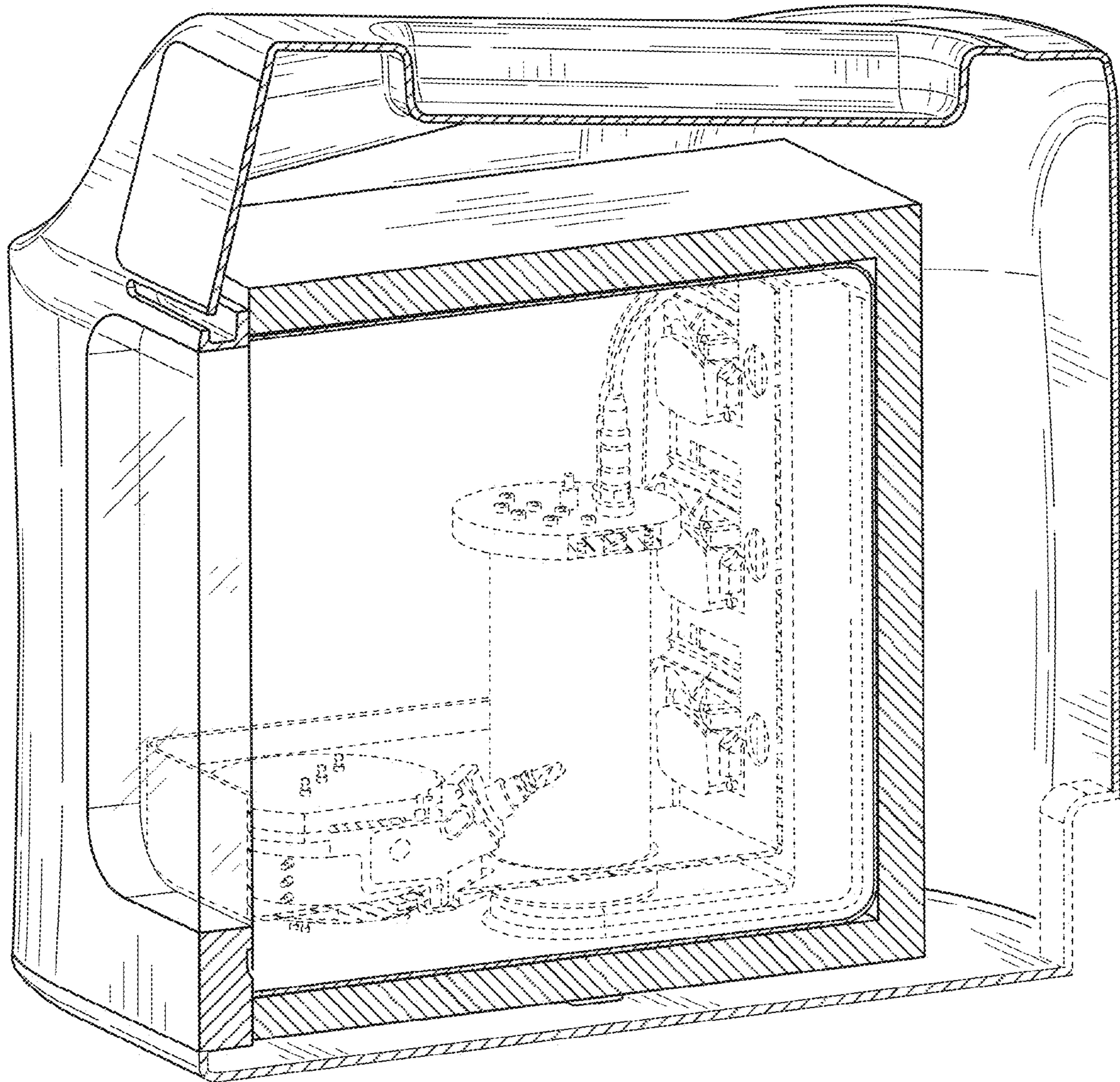


FIG. 15