



US00D961112S

(12) **United States Design Patent** (10) **Patent No.:** **US D961,112 S**  
**Krömker** (45) **Date of Patent:** **\*\* Aug. 16, 2022**

(54) **HAND DISINFECTION DEVICE**  
(71) Applicant: **Krömker Holding GmbH**, Buckeburg (DE)  
(72) Inventor: **Wilfried Krömker**, Buckeburg (DE)  
(73) Assignee: **Krömker Holding GmbH**, Buckeburg (DE)  
(\*\*) Term: **15 Years**  
(21) Appl. No.: **35/510,245**  
(22) Filed: **Dec. 3, 2019**

D660,061 S \* 5/2012 Fernandes ..... D6/542  
D665,610 S \* 8/2012 Kanfer ..... D6/542  
D733,455 S \* 7/2015 Watson ..... D6/542  
D780,473 S \* 3/2017 Brownley ..... D6/515  
D781,064 S \* 3/2017 Brownley ..... D6/515  
D785,970 S \* 5/2017 Yang ..... D6/542  
D811,120 S \* 2/2018 Johnson ..... D6/542  
D825,768 S \* 8/2018 Cai ..... D24/200  
D916,499 S \* 4/2021 Chen ..... D6/542  
D916,501 S \* 4/2021 Merrill ..... D6/542  
D945,637 S \* 3/2022 Park ..... D24/217  
D948,071 S \* 4/2022 Park ..... D24/217  
2009/0266842 A1 \* 10/2009 Snodgrass ..... A47K 5/1217  
222/52  
2021/0100406 A1 \* 4/2021 Gage ..... B60R 16/02

(80) **Hague Agreement Data**  
Int. Filing Date: **Dec. 3, 2019**  
Int. Reg. No.: **DM/210026**  
Int. Reg. Date: **Dec. 3, 2019**  
Int. Reg. Pub. Date: **Sep. 4, 2020**  
(51) **LOC (13) Cl.** ..... **24-01**  
(52) **U.S. Cl.**  
USPC ..... **D24/217**  
(58) **Field of Classification Search**  
USPC ..... D6/512, 515, 530, 542; D23/234, 286;  
D24/217  
CPC ..... A47K 5/1217; A47K 5/14; A47K 5/1211;  
B60R 16/02; B06R 15/00  
See application file for complete search history.

(56) **References Cited**  
U.S. PATENT DOCUMENTS  
D339,944 S \* 10/1993 Slomiana ..... D6/516  
D340,603 S \* 10/1993 Ellison ..... D6/515  
D443,934 S \* 6/2001 Wang ..... D24/217  
D483,974 S \* 12/2003 Reed ..... D6/542  
D538,436 S \* 3/2007 Patadia ..... D24/217  
D544,071 S \* 6/2007 Teuscher ..... D23/234  
D604,073 S \* 11/2009 Lochen ..... D6/515

**OTHER PUBLICATIONS**

Kromker. Ultra Sonic. Nov. 2016. <https://www.technimed.be/pdfcatalogs/download/17> (Year: 2016).\*

\* cited by examiner

*Primary Examiner* — Darcey E Gottschalk  
(74) *Attorney, Agent, or Firm* — Gramm, Lins & Partner

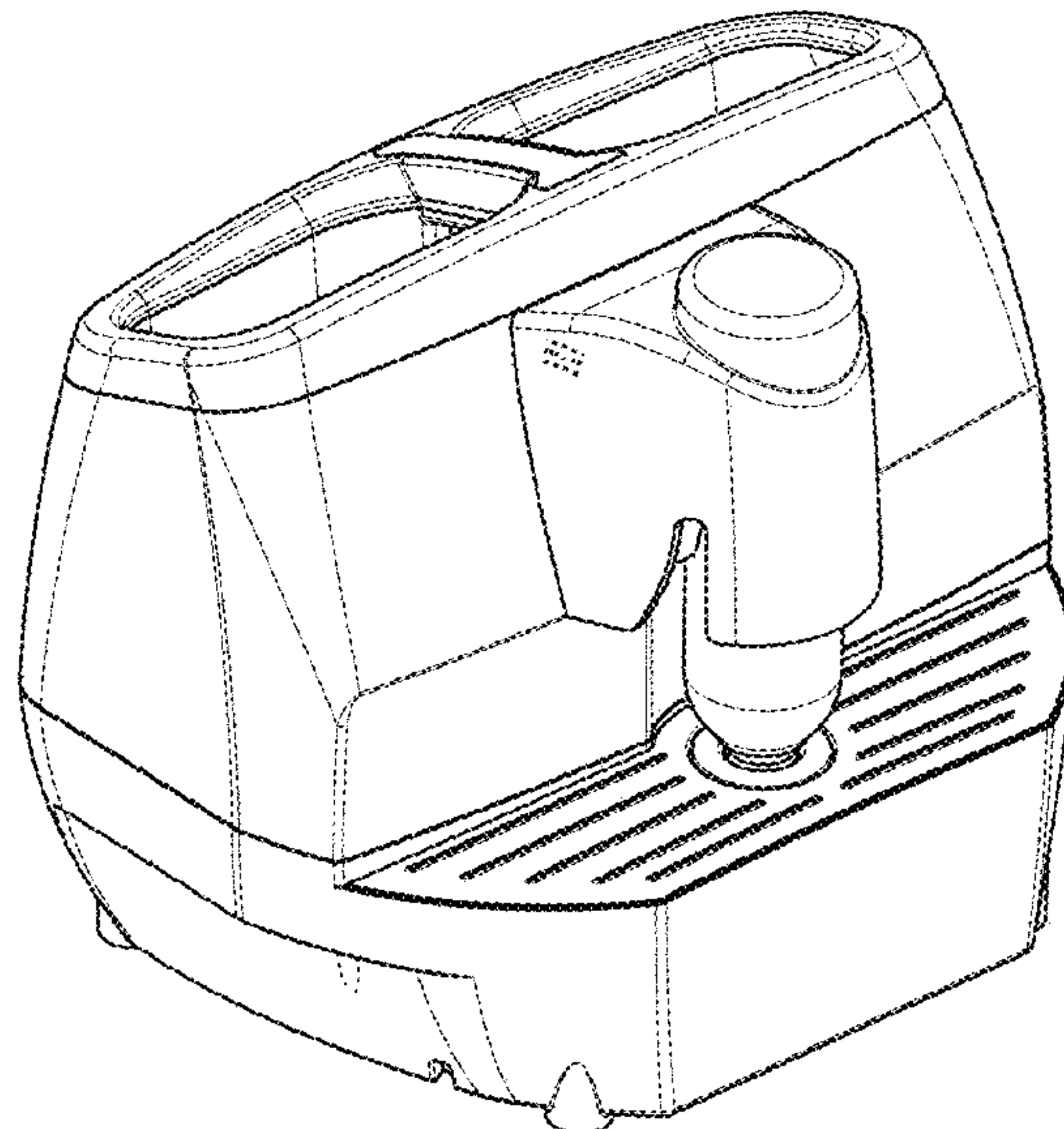
(57) **CLAIM**

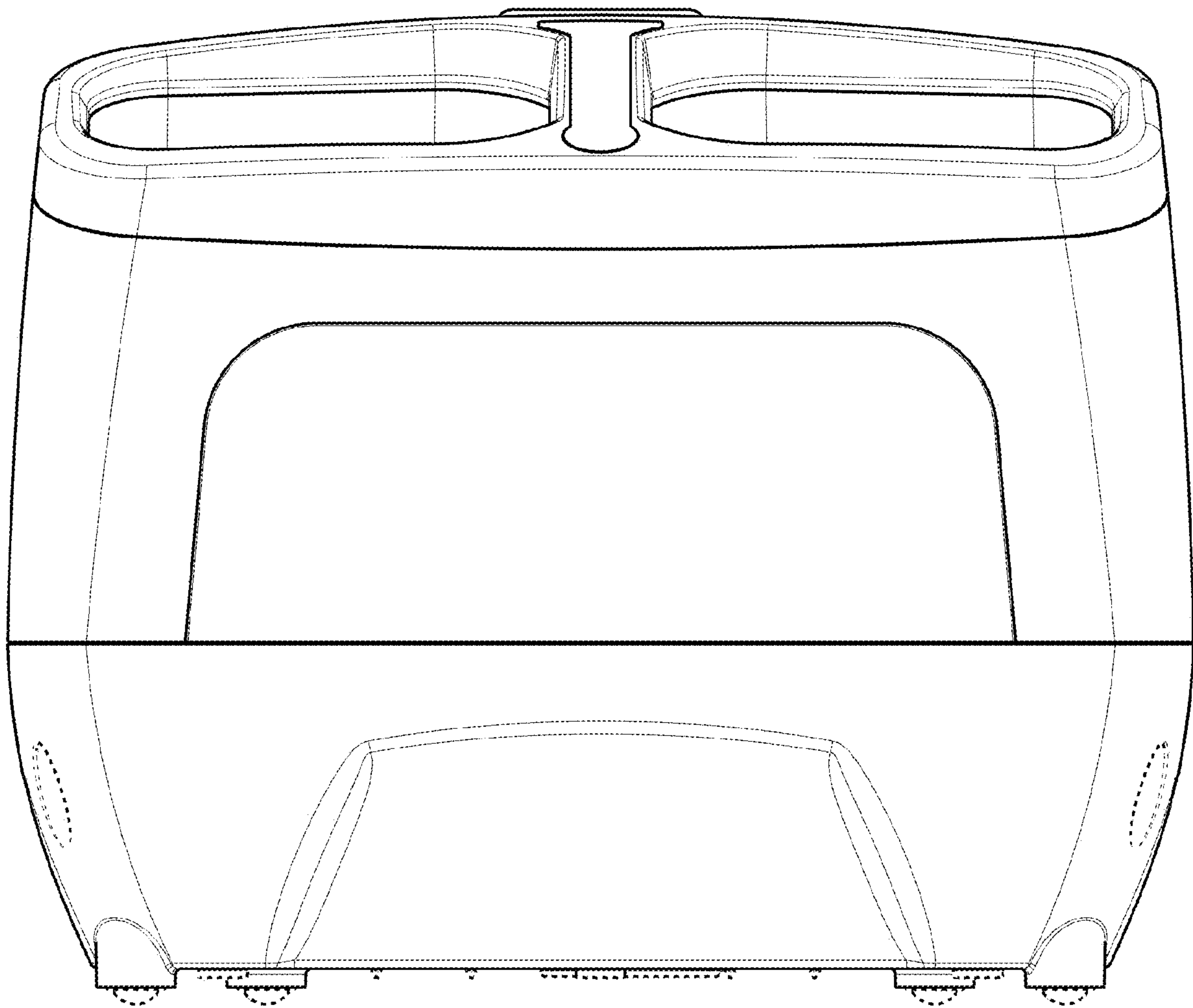
The ornamental design for a hand disinfection device, as shown and described.

**DESCRIPTION**

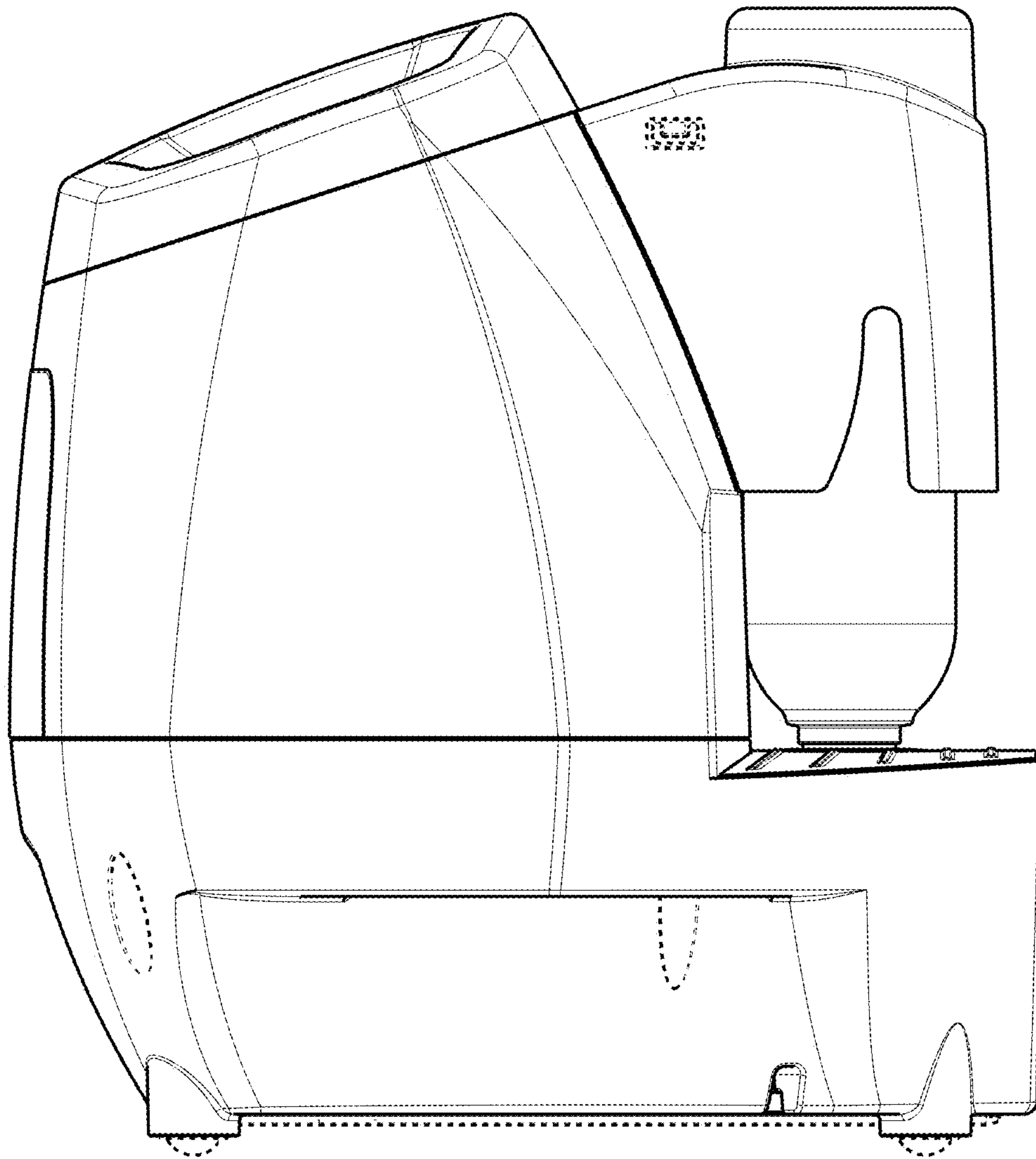
1. Hand disinfection device  
1.1 : Front  
1.2 : Side view, right  
1.3 : Side view, left  
1.4 : Top  
1.5 : Bottom  
1.6 : Perspective view of the front side  
1.7 : Perspective view of the rear side  
The broken lines depict portions of a hand disinfection device that form no part of the claim.

**1 Claim, 7 Drawing Sheets**

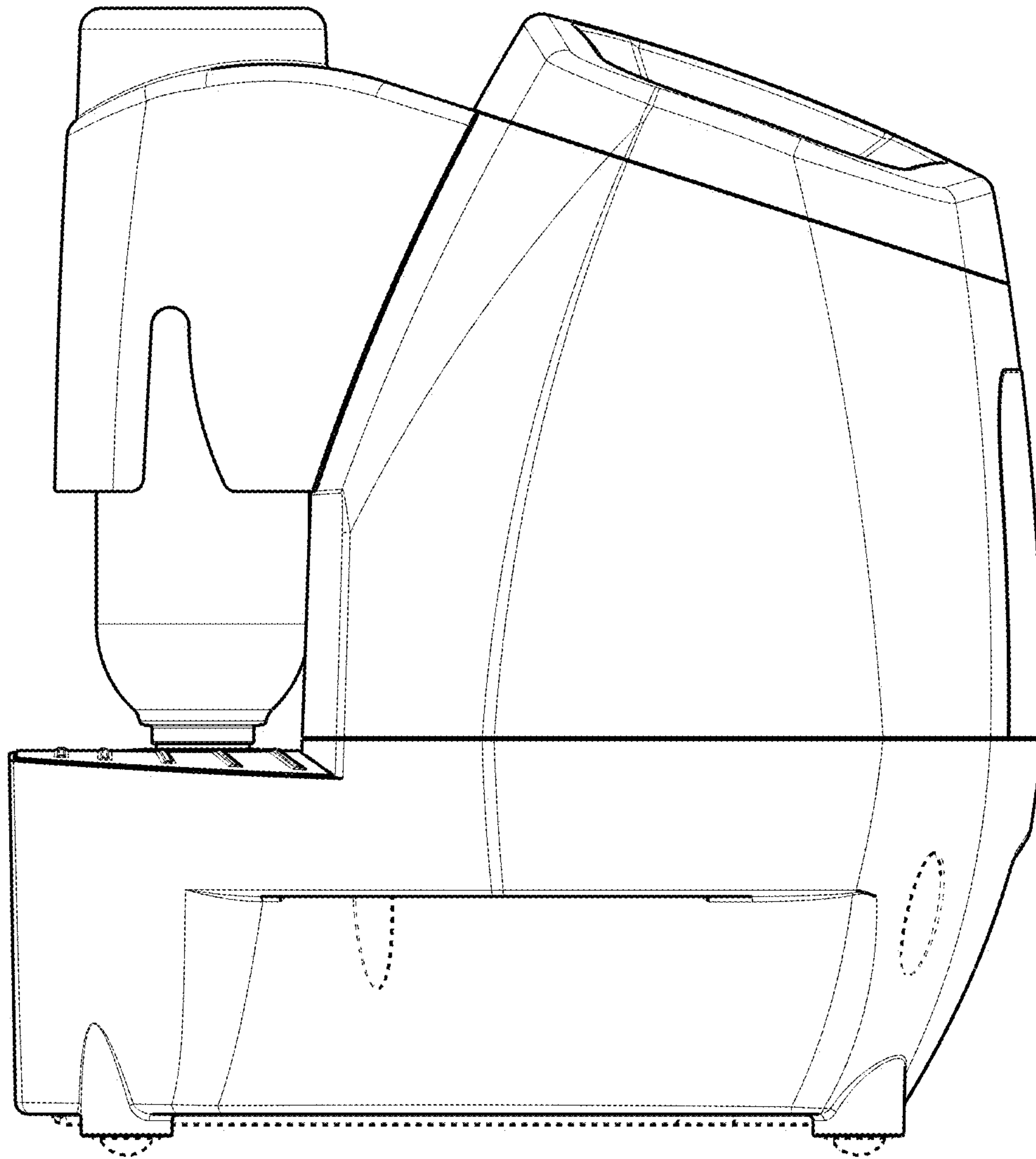




1.1

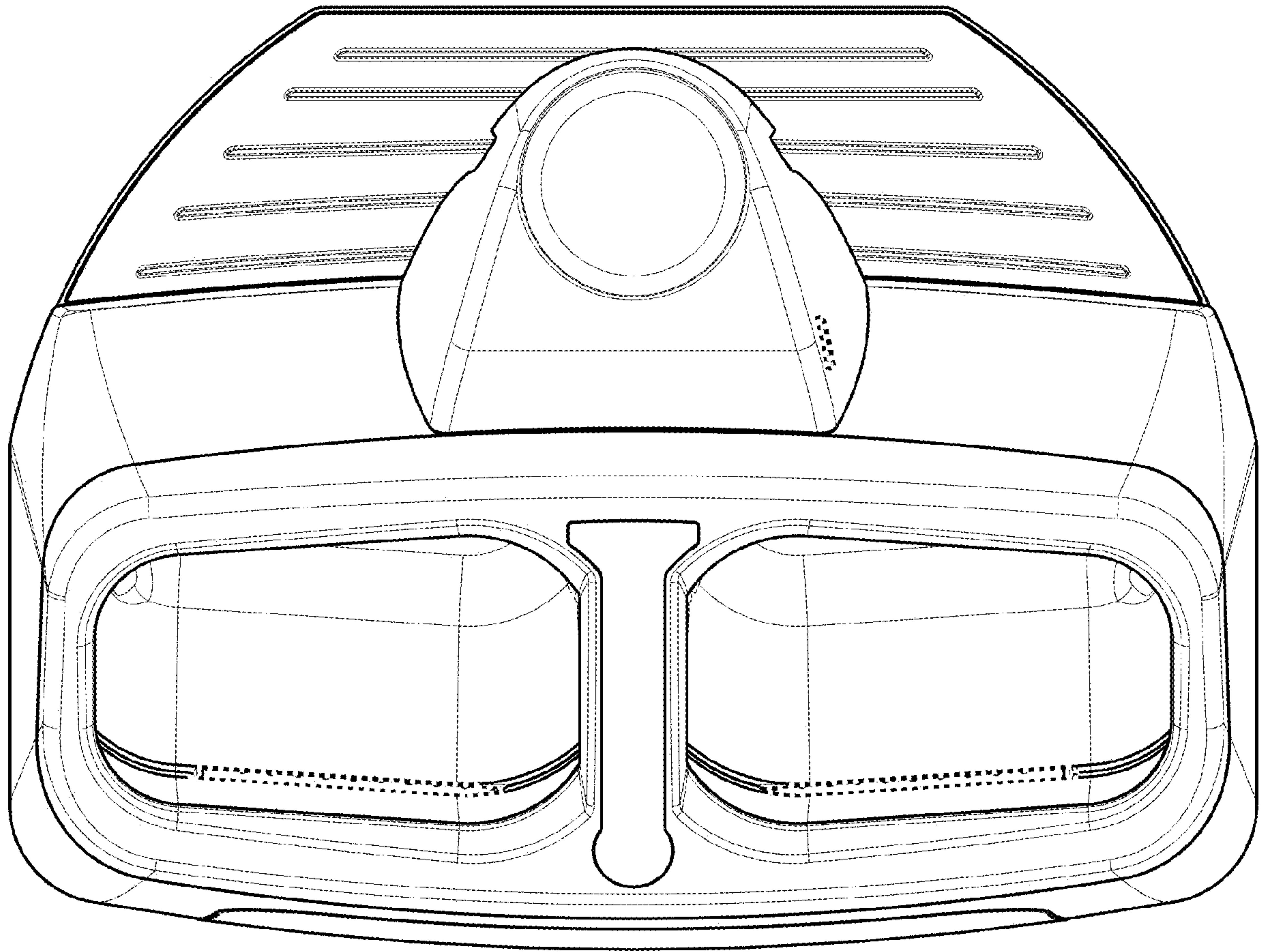


1.2

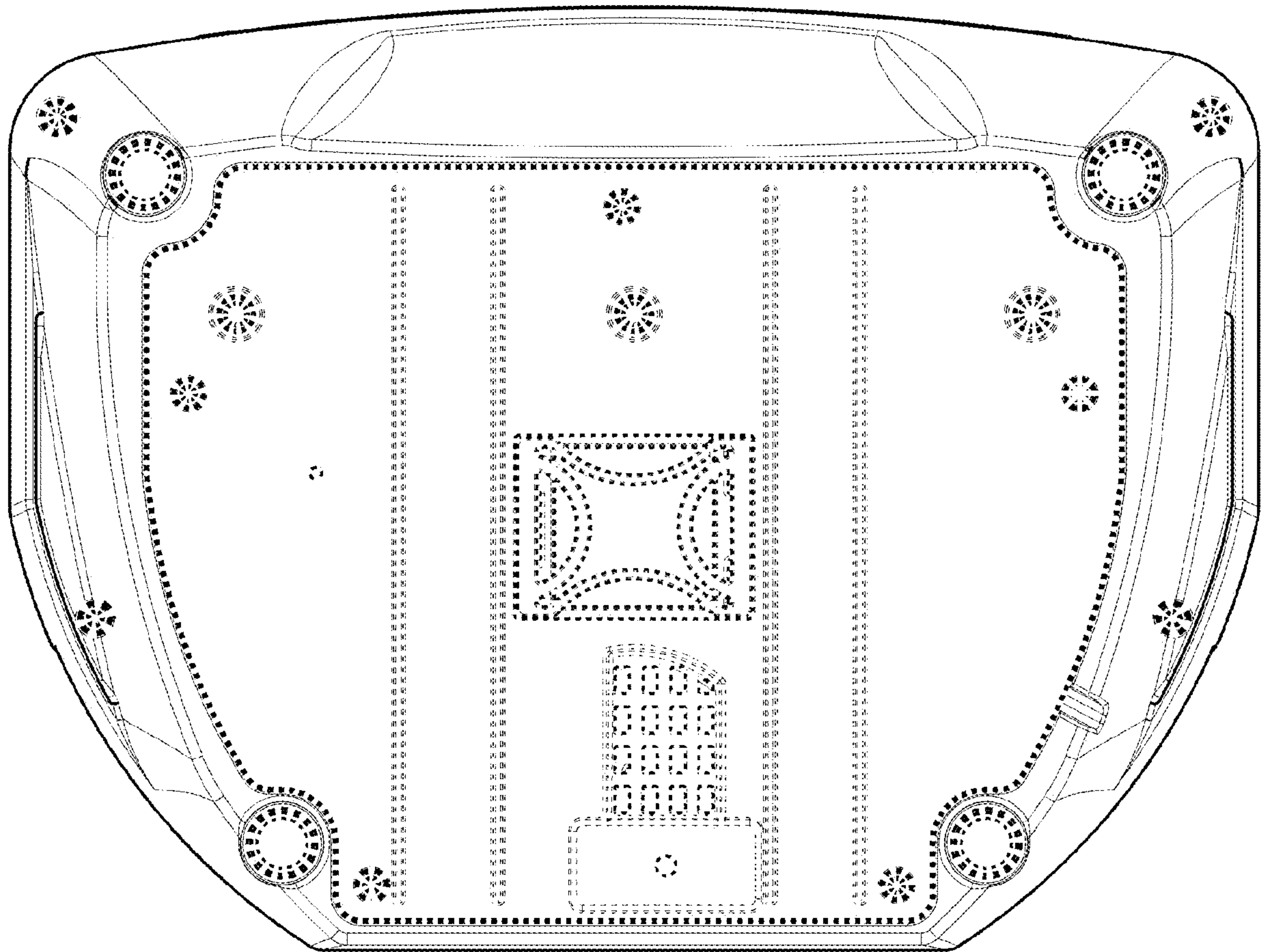


1.3

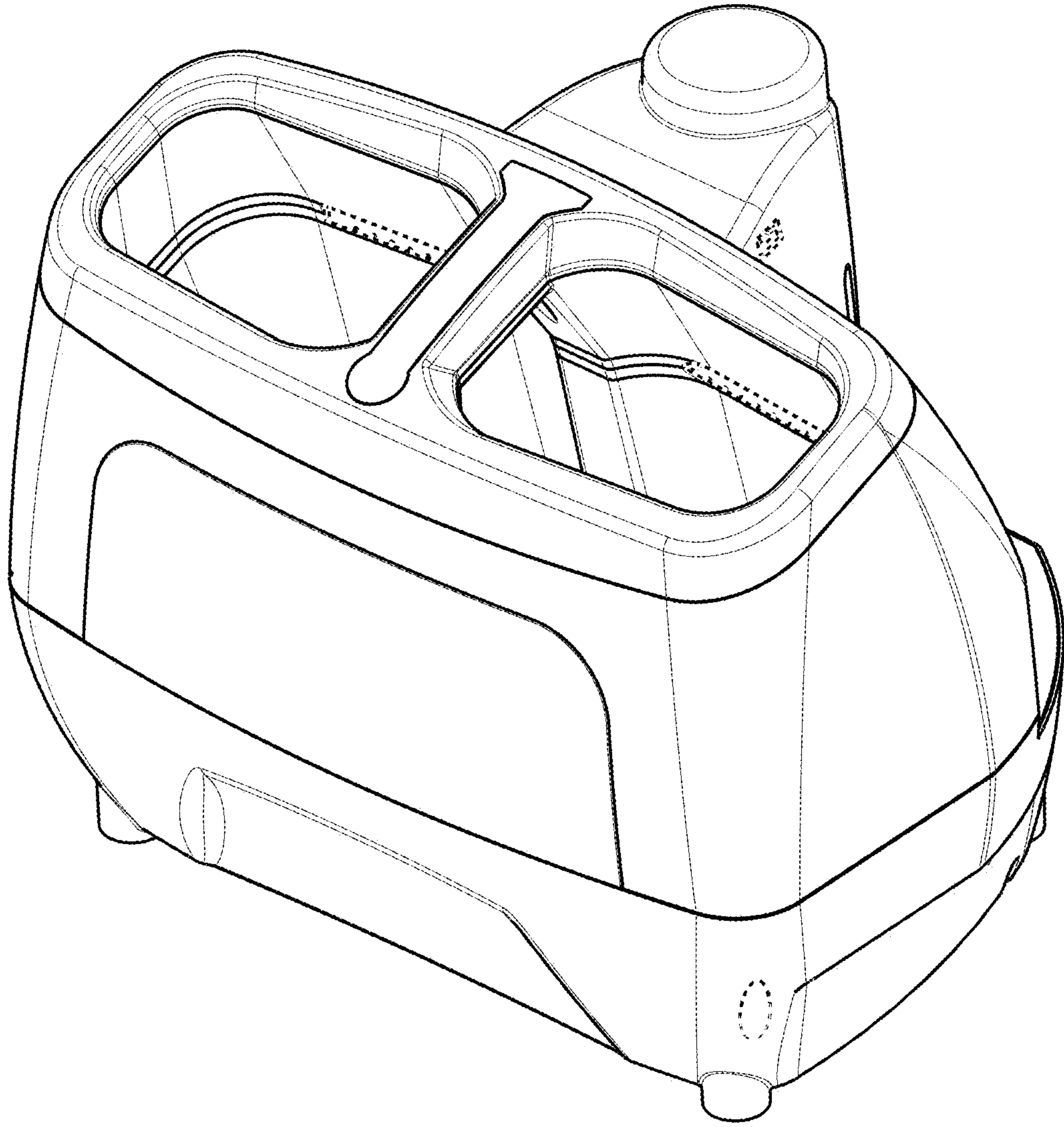




1.4

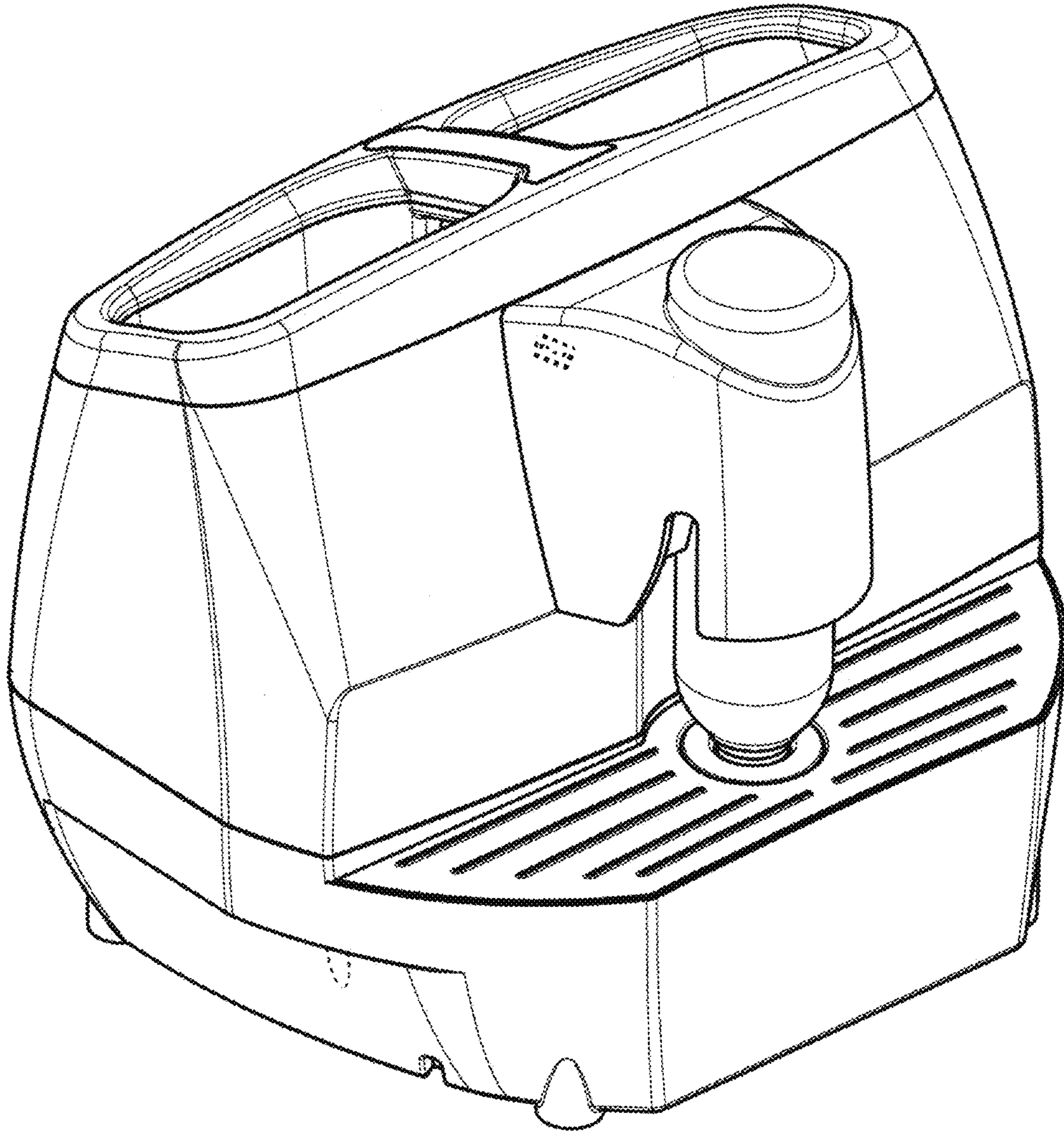


1.5



1.6





1.7