



US00D961109S

(12) **United States Design Patent** (10) **Patent No.:** **US D961,109 S**  
**Sedic** (45) **Date of Patent:** **\*\* \*Aug. 16, 2022**

- (54) **STIMULATION DEVICE**
- (71) Applicant: **FOREO Inc.**, Las Vegas, NV (US)
- (72) Inventor: **Filip Sedic**, Stockholm (SE)
- (73) Assignee: **FOREO Inc.**, Las Vegas, NV (US)

|              |        |             |         |
|--------------|--------|-------------|---------|
| D882,268 S * | 4/2020 | Sedic ..... | D4/100  |
| D882,807 S * | 4/2020 | Xiong ..... | D24/214 |
| D886,642 S * | 6/2020 | Zhou .....  | D10/22  |
| D893,199 S * | 8/2020 | Sedic ..... | D4/137  |
| D895,821 S * | 9/2020 | Lin .....   | D24/200 |
| D932,040 S * | 9/2021 | Sedic ..... | D24/215 |
| D932,041 S * | 9/2021 | Sedic ..... | D24/215 |
| D932,043 S * | 9/2021 | Sedic ..... | D24/215 |

(\* ) Notice: This patent is subject to a terminal disclaimer.

(\*\*) Term: **15 Years**

(21) Appl. No.: **29/805,327**

(22) Filed: **Aug. 26, 2021**

**Related U.S. Application Data**

- (63) Continuation of application No. 29/705,116, filed on Sep. 10, 2019, now Pat. No. Des. 932,040.
- (51) **LOC (13) Cl.** ..... **28-03**
- (52) **U.S. Cl.**  
USPC ..... **D24/215**
- (58) **Field of Classification Search**  
USPC ..... D24/200, 211, 212, 213, 214, 215;  
D28/7, 78; D10/1  
CPC ... A61H 2015/0042; A61H 7/007; A61H 9/00  
See application file for complete search history.

(56) **References Cited**

**U.S. PATENT DOCUMENTS**

|              |         |              |         |
|--------------|---------|--------------|---------|
| D581,543 S * | 11/2008 | Ferber ..... | D24/215 |
| D665,915 S * | 8/2012  | Ma .....     | D24/215 |
| D737,990 S * | 9/2015  | Lee .....    | D24/215 |
| D845,631 S * | 4/2019  | Sedic .....  | D4/100  |
| D850,111 S * | 6/2019  | Sedic .....  | D4/100  |
| D870,909 S * | 12/2019 | Sedic .....  | D24/215 |

**OTHER PUBLICATIONS**

Foreo, "Bear", Access Date May 11, 2022. <https://www.foreo.com/bear-collection?v=1625>. (Year: 2022).\*

Amazon, "Foreo Bear", Earliest Review Date Oct. 26, 2020. [https://www.amazon.com/FOREO-App-connected-Microcurrent-Intensities-Fuchsia/dp/B08G9B1JQ3/ref=cm\\_cr\\_arp\\_d\\_product\\_top?ie=UTF8](https://www.amazon.com/FOREO-App-connected-Microcurrent-Intensities-Fuchsia/dp/B08G9B1JQ3/ref=cm_cr_arp_d_product_top?ie=UTF8). Shown on p. 1. (Year: 2020).\*

\* cited by examiner

*Primary Examiner* — Michael A Maharajh

(74) *Attorney, Agent, or Firm* — Evan Feldstein

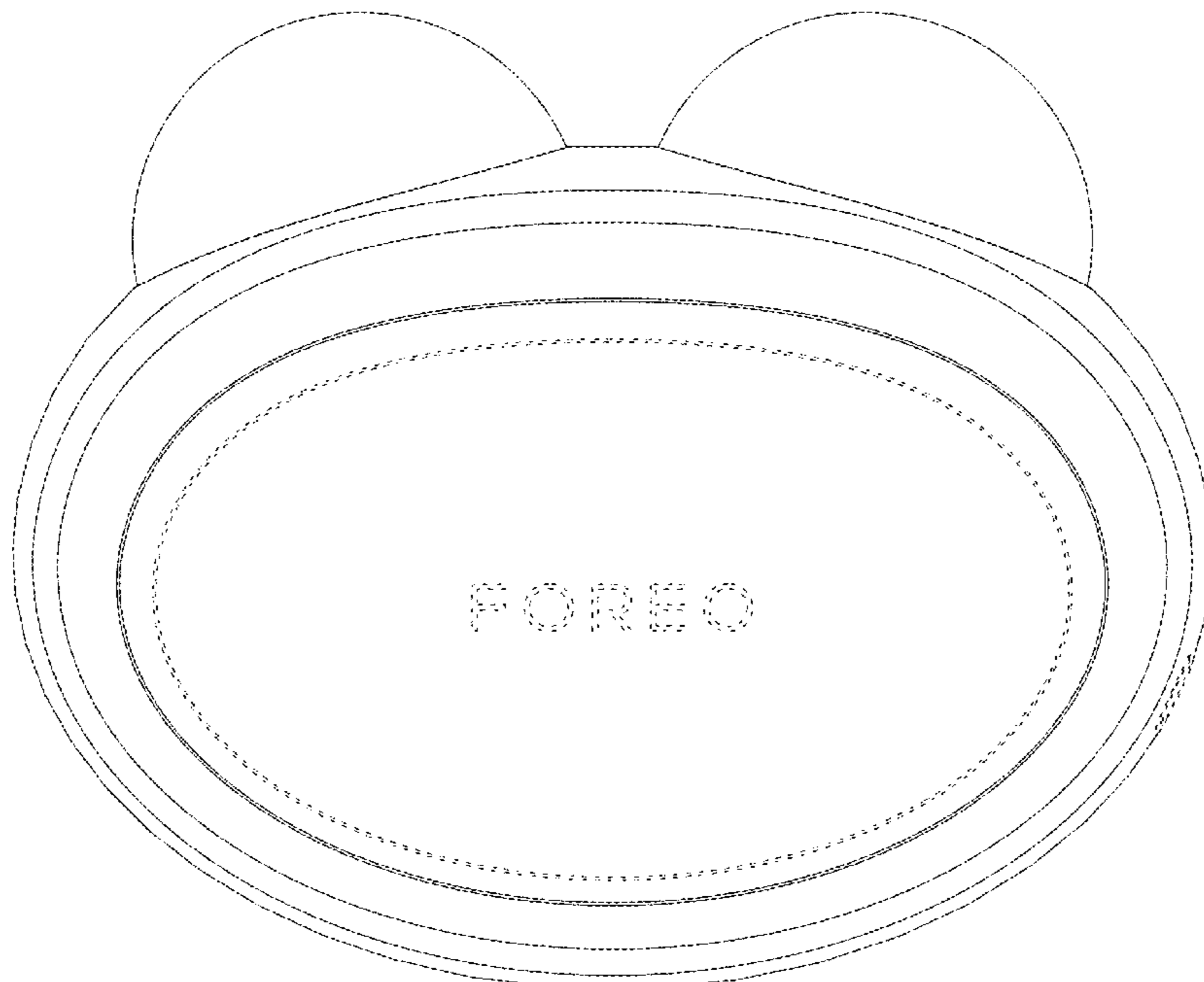
(57) **CLAIM**

I claim the ornamental design for a stimulation device, as shown and described.

**DESCRIPTION**

FIG. 1 is a front view of a stimulation device.  
 FIG. 2 is a right side view of the stimulation device.  
 FIG. 3 is a left side view of the stimulation device.  
 FIG. 4 is a rear view of the stimulation device.  
 FIG. 5 is a bottom view of the stimulation device.  
 FIG. 6 is a top view of the stimulation device; and,  
 FIG. 7 is a perspective view of the stimulation device.  
 The broken lines shown in the drawings are for the purpose of illustrating portions of the stimulation device, which form no part of the claimed design.

**1 Claim, 7 Drawing Sheets**



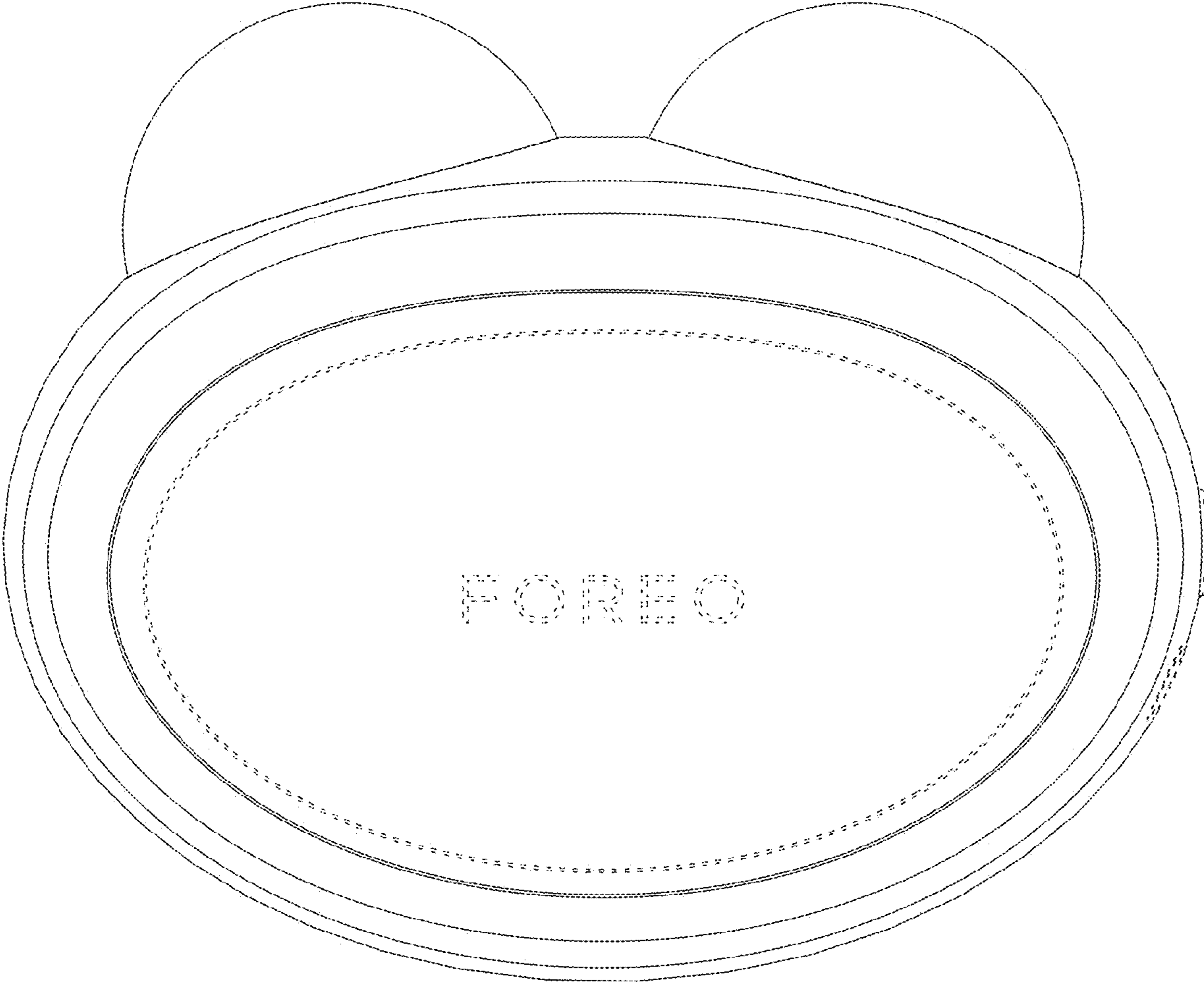


FIG. 1

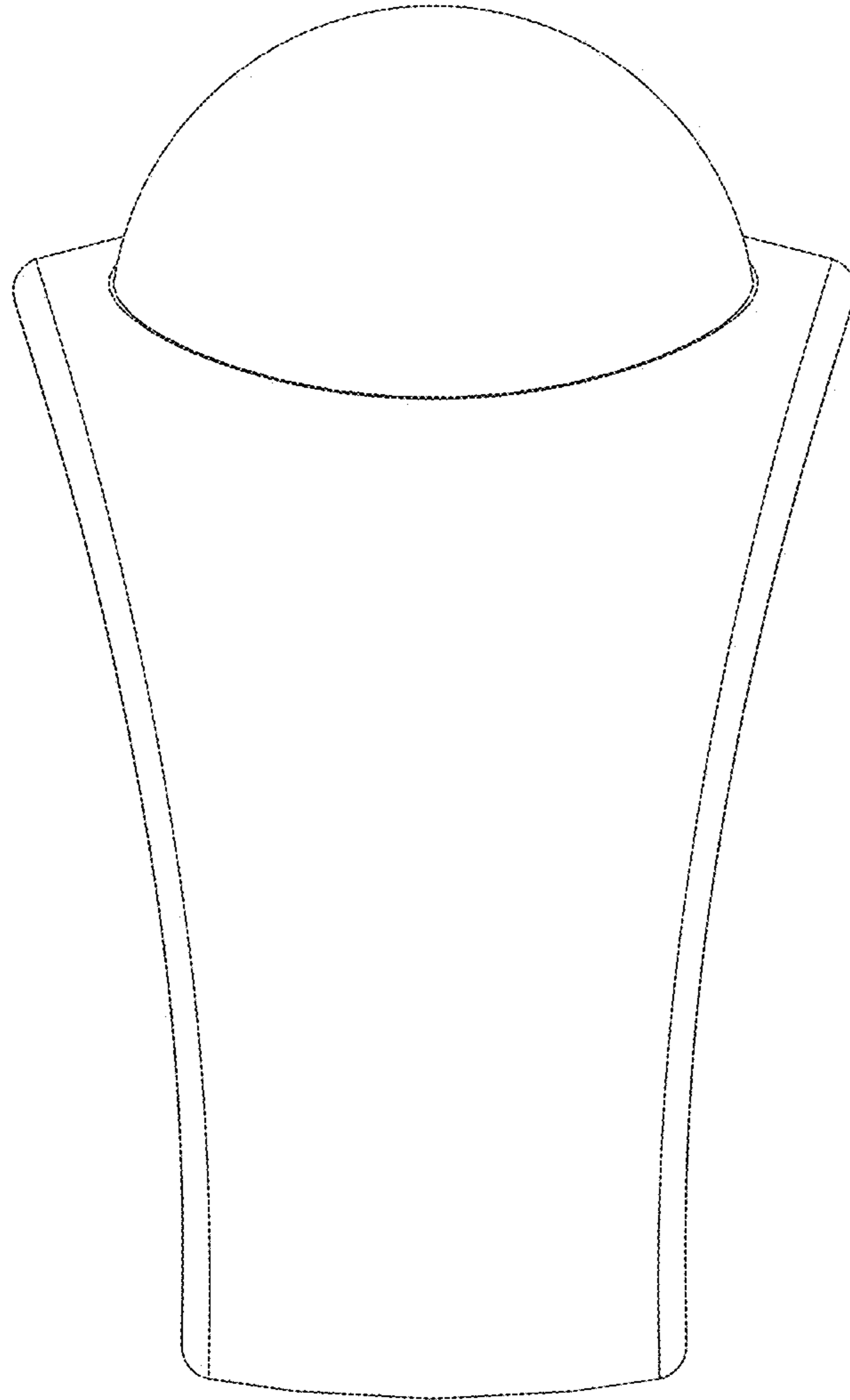


FIG. 2

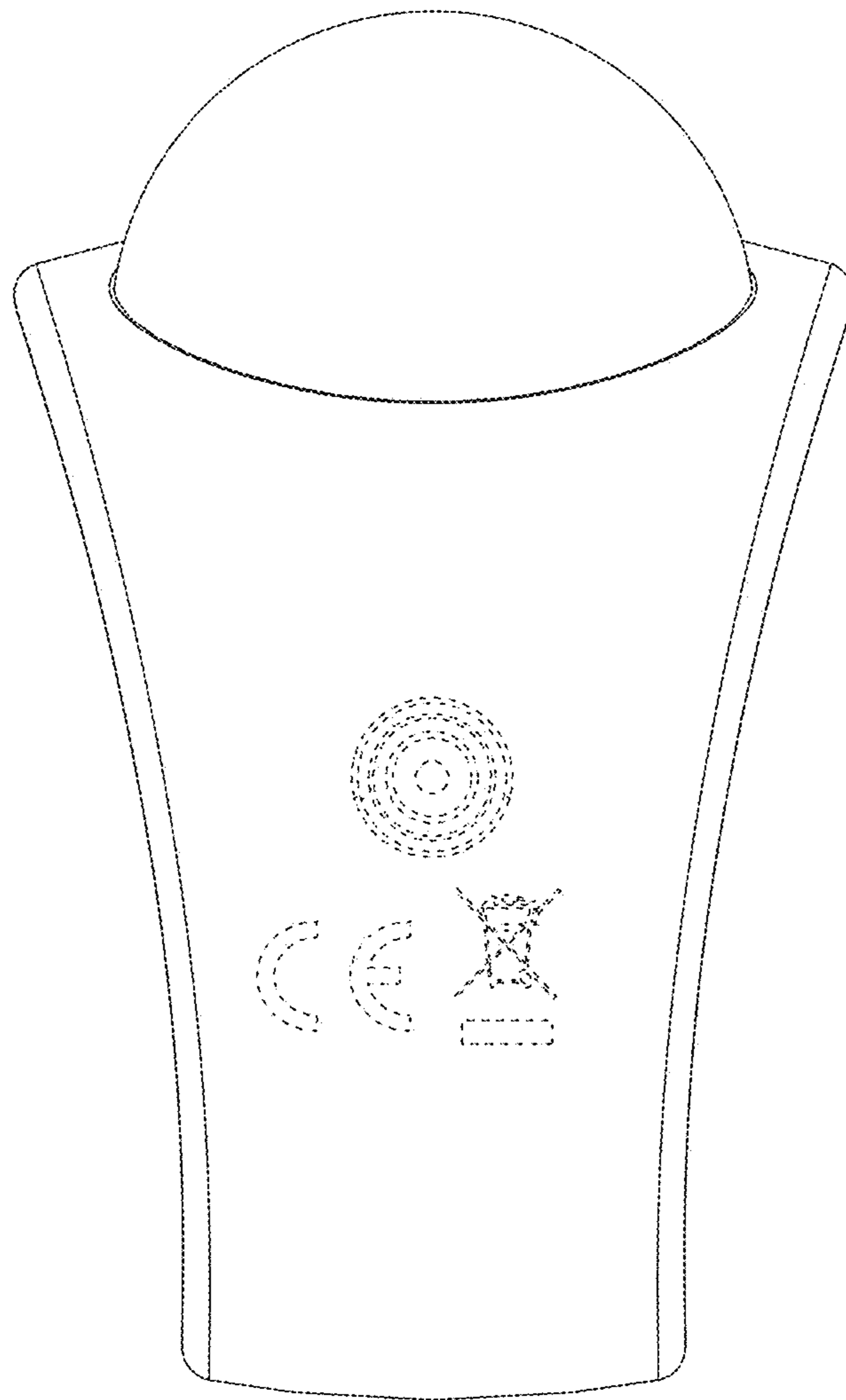


FIG. 3

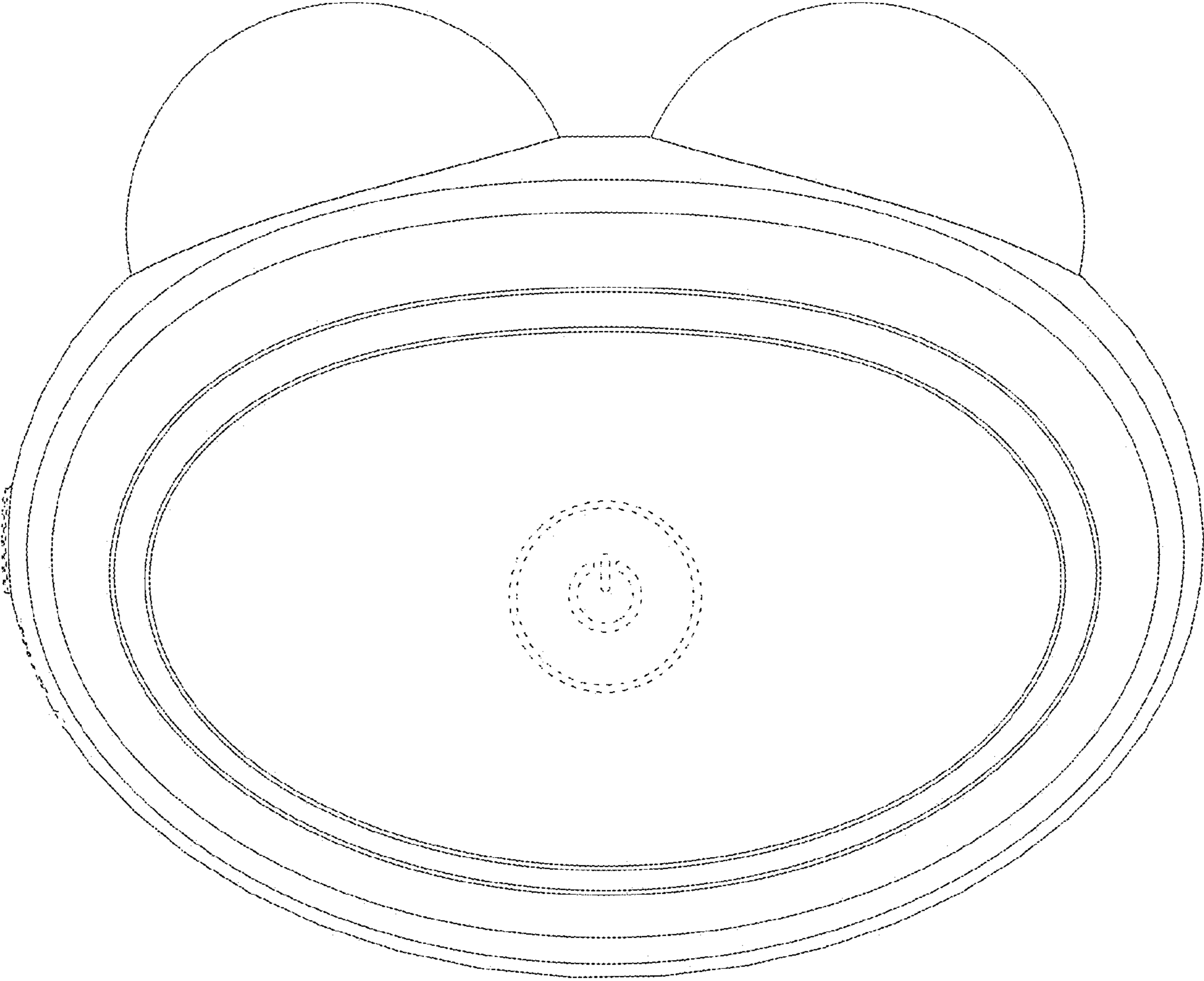
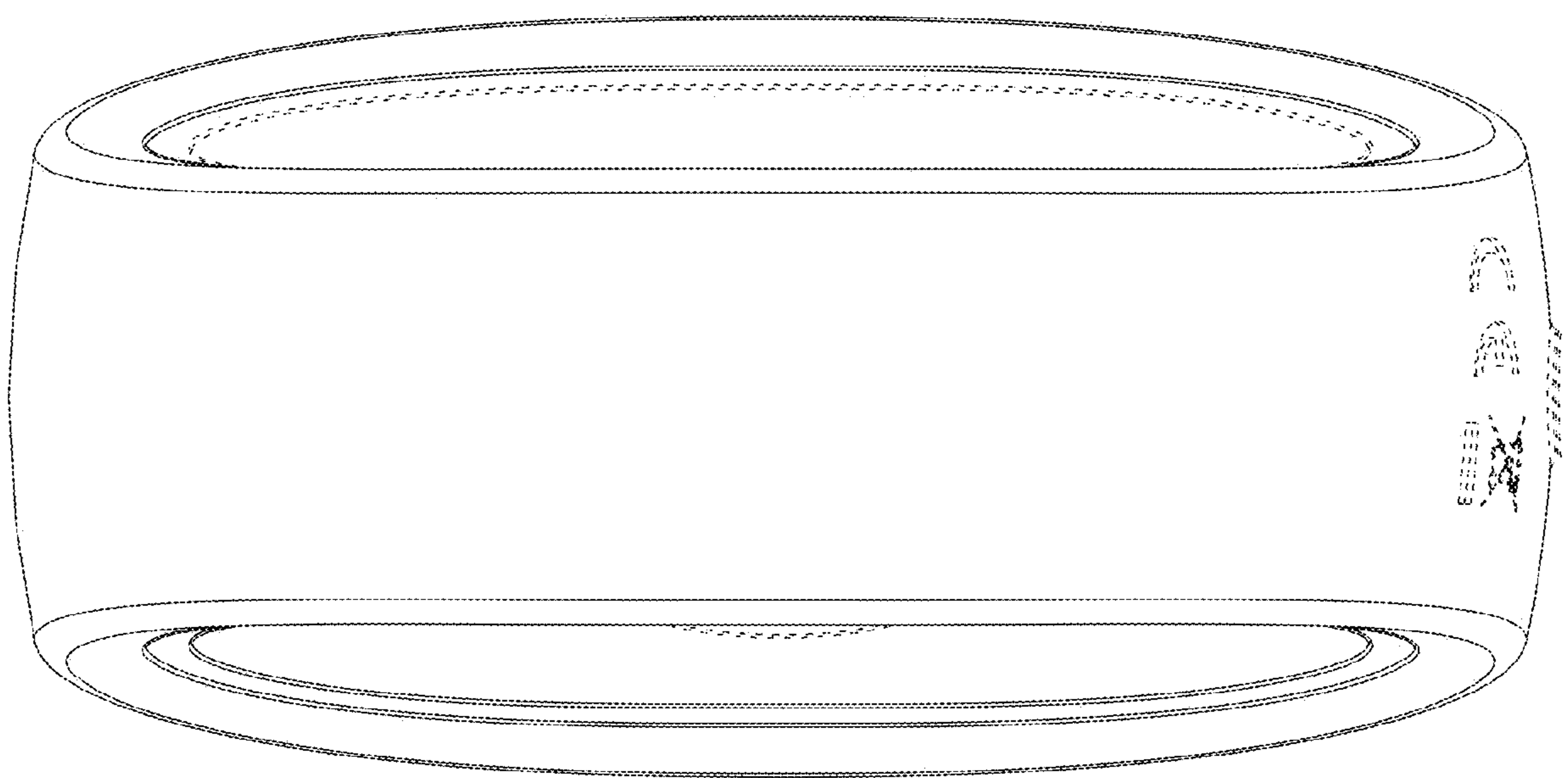


FIG. 4



**FIG. 5**



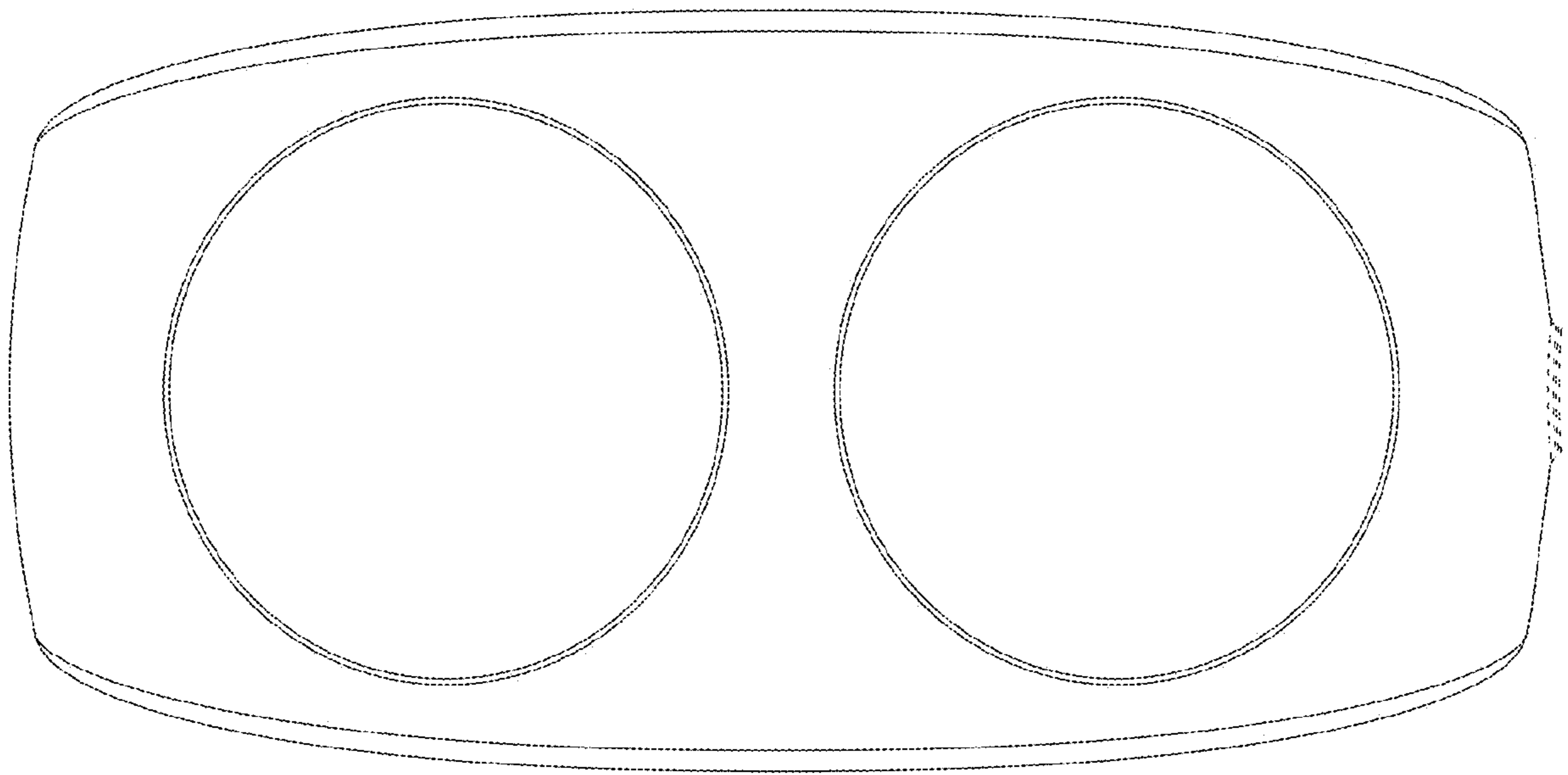


FIG. 6

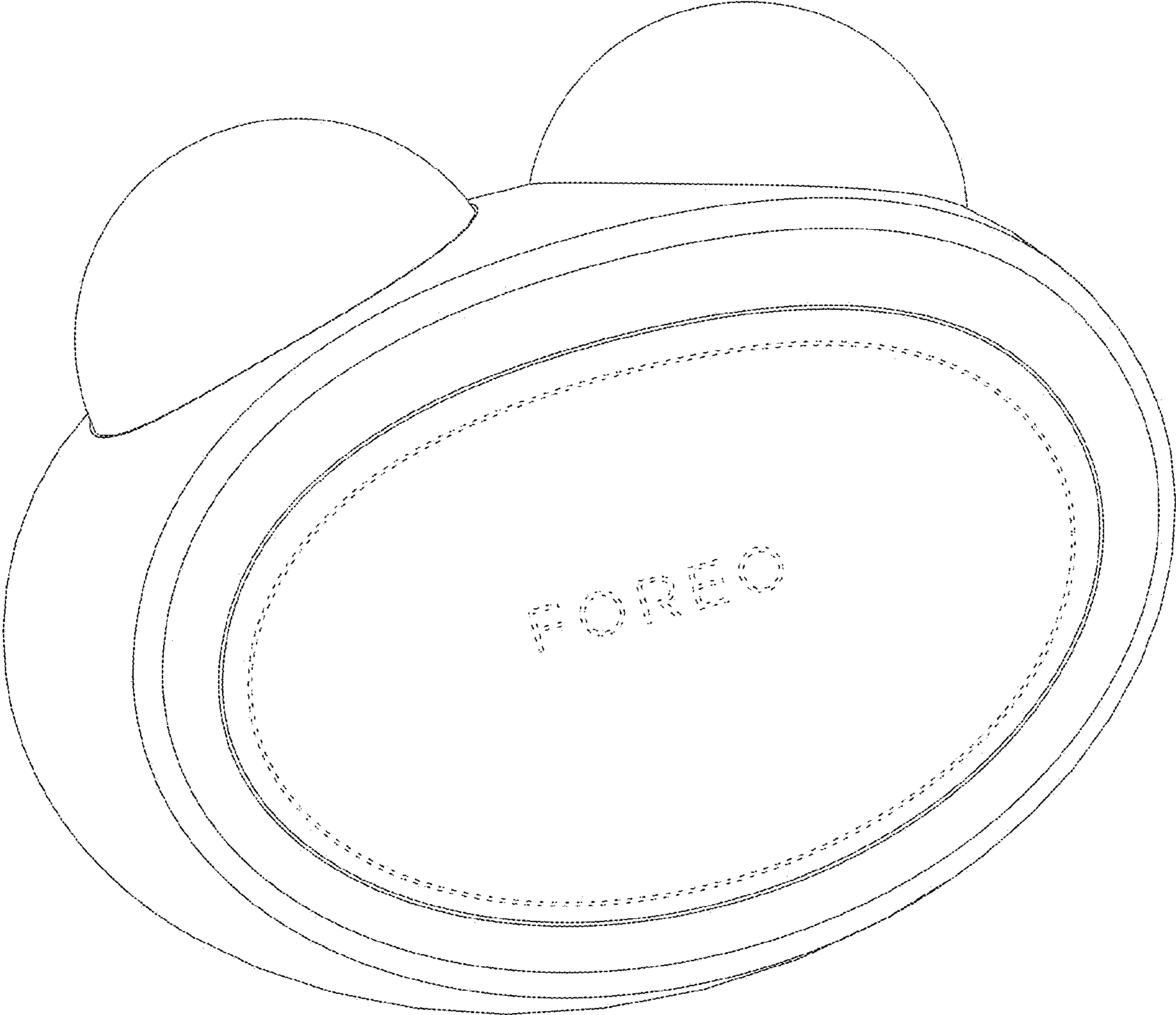


FIG. 7