



US00D961107S

(12) **United States Design Patent** (10) **Patent No.:** **US D961,107 S**
Tian (45) **Date of Patent:** **** Aug. 16, 2022**

(54) **MASSAGER ATTACHMENT**
(71) Applicant: **Achedaway (Shenzhen) Technology Co., Ltd., Shenzhen (CN)**
(72) Inventor: **Shaowen Tian, Huaihua (CN)**
(**) Term: **15 Years**
(21) Appl. No.: **29/781,010**
(22) Filed: **Apr. 28, 2021**
(51) **LOC (13) Cl.** **28-03**
(52) **U.S. Cl.**
USPC **D24/215**
(58) **Field of Classification Search**
USPC D24/215, 200, 211, 212, 213, 214, 133, D24/107, 231, 184; D8/29, 85, 86, 386, D8/394; D9/435, 439, 441; D21/717; D26/2; D30/158
CPC A61H 15/00; A61H 2015/0007; A61H 2015/0042; A61H 15/0092; A61H 23/00; A61H 23/006; A61H 2023/002; A61H 23/06; A61H 23/02; A61H 2201/0153; A61H 2201/0157; A61H 7/005; A61H 7/003; A61H 7/00; A61H 7/002; A61H 1/00; A61H 1/008; A61H 15/0078; A61H 15/0085; A61H 23/04
See application file for complete search history.

(56) **References Cited**
U.S. PATENT DOCUMENTS
D414,694 S * 10/1999 Richter D9/439
D481,801 S * 11/2003 Whitley D9/453
D608,900 S * 1/2010 Giraud D24/231
D698,940 S * 2/2014 Pribenszky D24/224
D741,502 S * 10/2015 Gomez D24/215
D755,966 S * 5/2016 Ahluwalia D24/141
D755,967 S * 5/2016 Ahluwalia D24/141
D768,305 S 10/2016 Ho
D791,958 S * 7/2017 Ho D24/200
D807,520 S * 1/2018 Ho D24/200

D810,280 S 2/2018 Tharp et al.
D855,196 S 7/2019 Kymm et al.
D864,409 S 10/2019 Ehret
D895,126 S 9/2020 Chau
D904,636 S 12/2020 Delassus
D906,528 S 12/2020 Qiao
(Continued)

FOREIGN PATENT DOCUMENTS

CN 305959564 S 7/2020

OTHER PUBLICATIONS

Product Review—Achedaway Cupping Therapy Massager. Date: Jan. 7, 2021. [online]. [Site visited Feb. 18, 2022]. Available from Internet URL: <https://www.youtube.com/watch?v=J-j937Q2zrs> (Year: 2021).*
(Continued)

Primary Examiner — Susan Bennett Hattan
Assistant Examiner — Landon Thomas Cassell

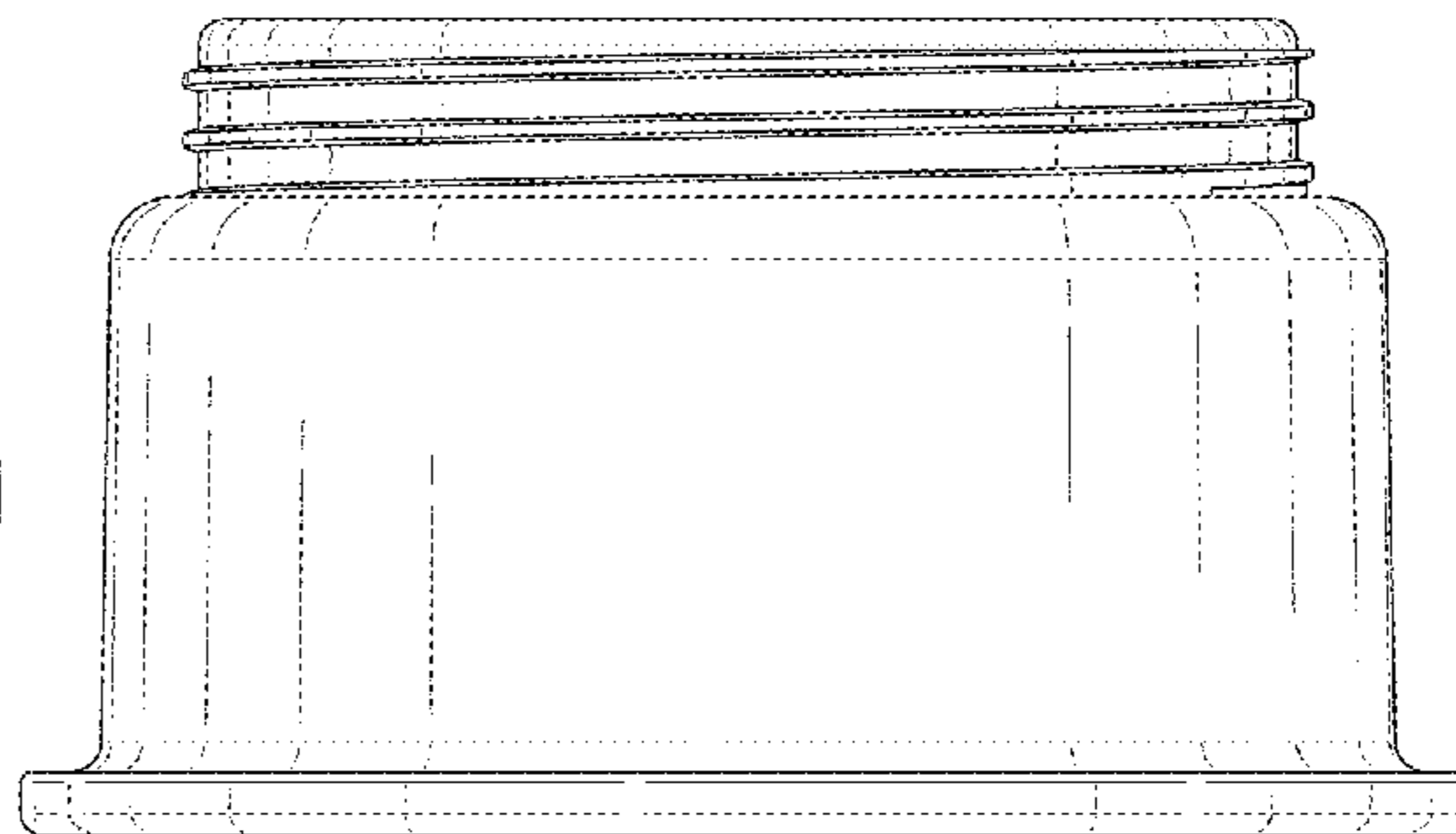
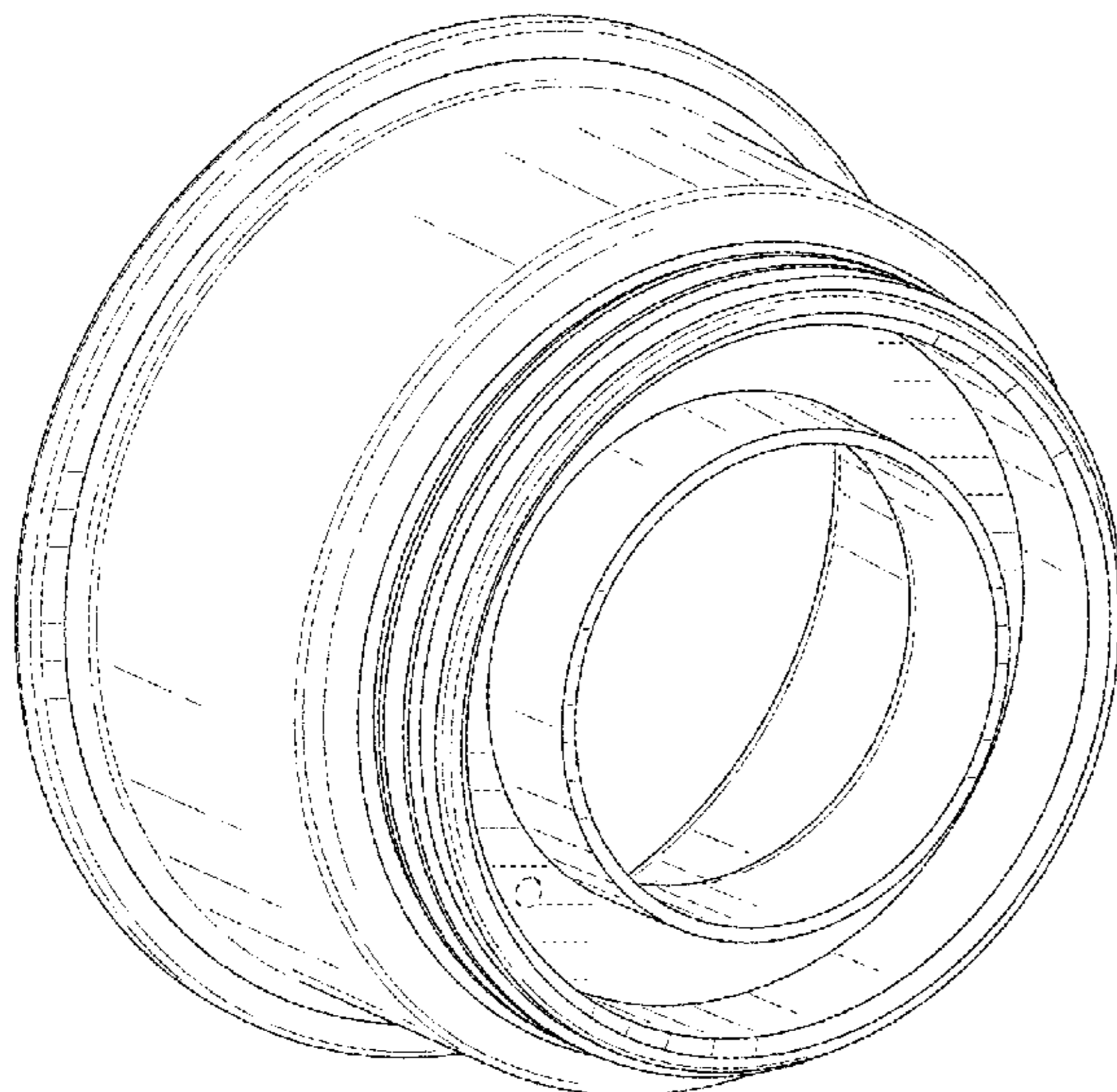
(57) **CLAIM**

The ornamental design for a massager attachment, as shown and described.

DESCRIPTION

FIG. 1 is a top perspective view of a massager attachment. FIG. 2 is a front elevation view thereof. FIG. 3 is a rear elevation view thereof. FIG. 4 is a left side elevation view thereof. FIG. 5 is a right side elevation view thereof. FIG. 6 is top view thereof. FIG. 7 is a bottom view thereof; and, FIG. 8 is a bottom perspective view thereof. The line shading shows contour and not surface ornamentation. The broken lines show portions of the massager attachment that form no part of the claimed design.

1 Claim, 8 Drawing Sheets



(56)

References Cited

U.S. PATENT DOCUMENTS

D912,839 S	3/2021	Yang	
D914,229 S	3/2021	Takeuchi	
D918,402 S	5/2021	Casalino et al.	
D918,404 S	5/2021	Wersland et al.	
D918,405 S	5/2021	Wersland et al.	
D941,134 S *	1/2022	Schmidt	D8/386
2006/0118650 A1 *	6/2006	Yu	A61L 9/122
			239/34
2013/0046211 A1 *	2/2013	Ho	A45D 44/22
			601/6

OTHER PUBLICATIONS

Auxsoul 4—Facial Vacuum Suction Massage Cups. Date: Oct. 10, 2020. [online]. [Site visited Feb. 18, 2022]. Available from Internet URL: <https://www.amazon.co.uk/dp/B08L122X6H/> (Year: 2020).*

Better Angel—Eye and Face Vacuum Massage Cup Kit. Date: Apr. 22, 2021. [online]. [Site visited Feb. 18, 2022]. Available from Internet URL: <https://www.amazon.co.uk/dp/B0936H4Q1Z/> (Year: 2021).*

Massager attachments. (Design—© Questel) orbit.com. [Online PDF compilation of references] 15 pgs. Print Dates Range Sep. 30, 2009-Apr. 16, 2021 [Retrieved Feb. 18, 2022] <https://www.orbit.com/export/UCZAH96B/pdf4/e300d6ac-bbb1-4a2b-a136-7980e15b2bfd-192931.pdf> (Year: 2022).*

Search report of foreign counterpart. CNIPA. dated Mar. 4, 2021.

* cited by examiner

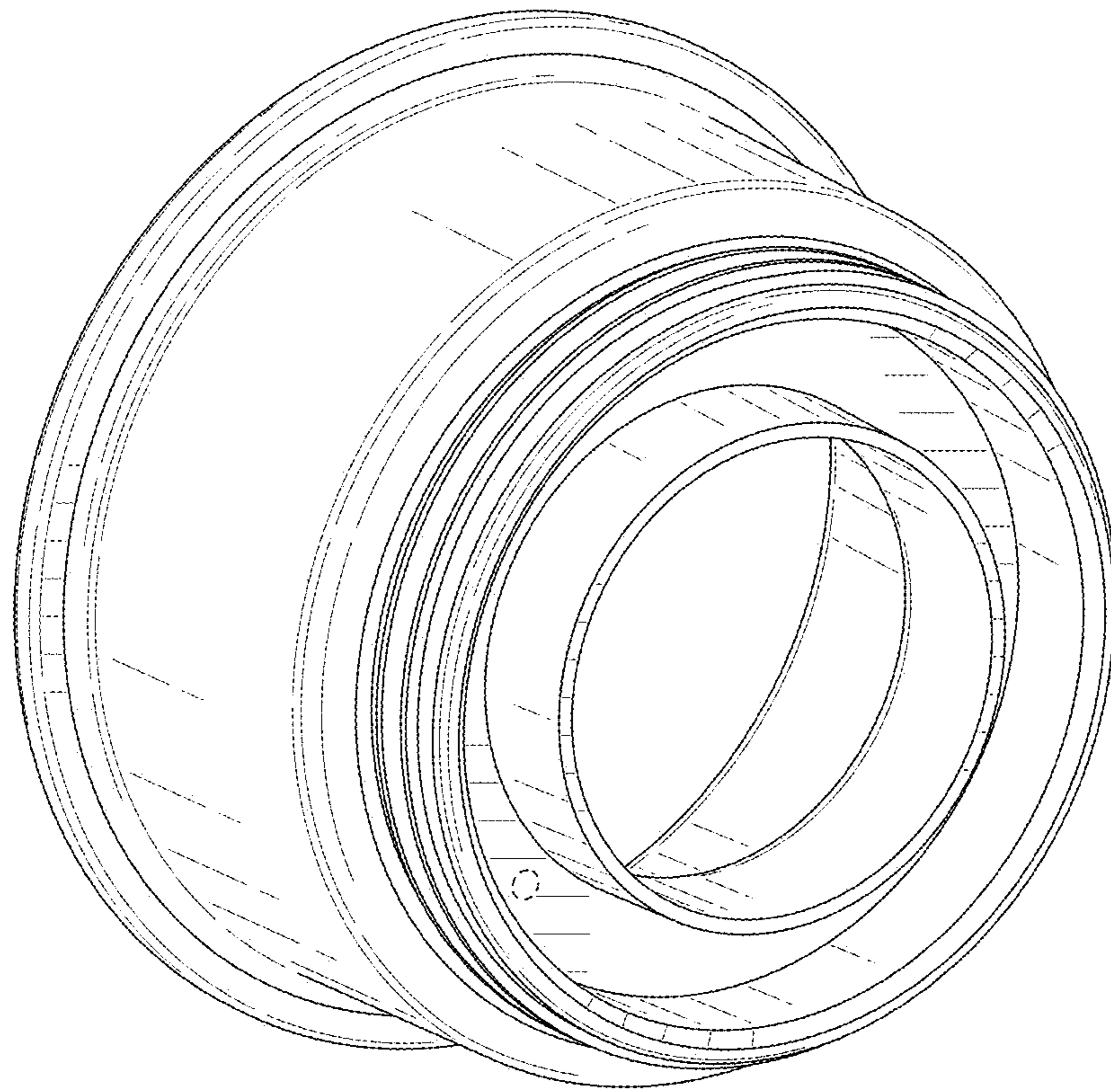


FIG.1

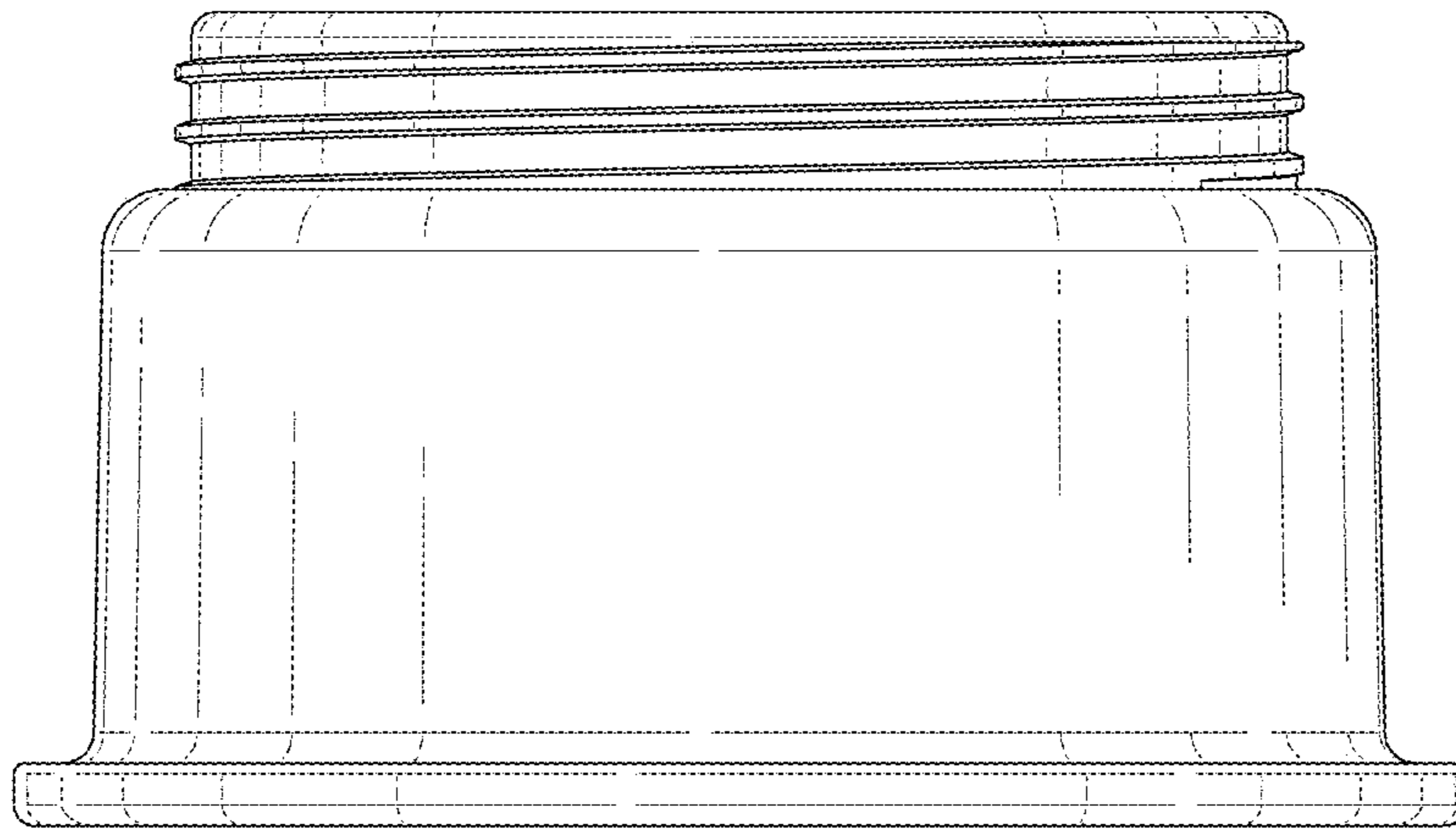


FIG.2

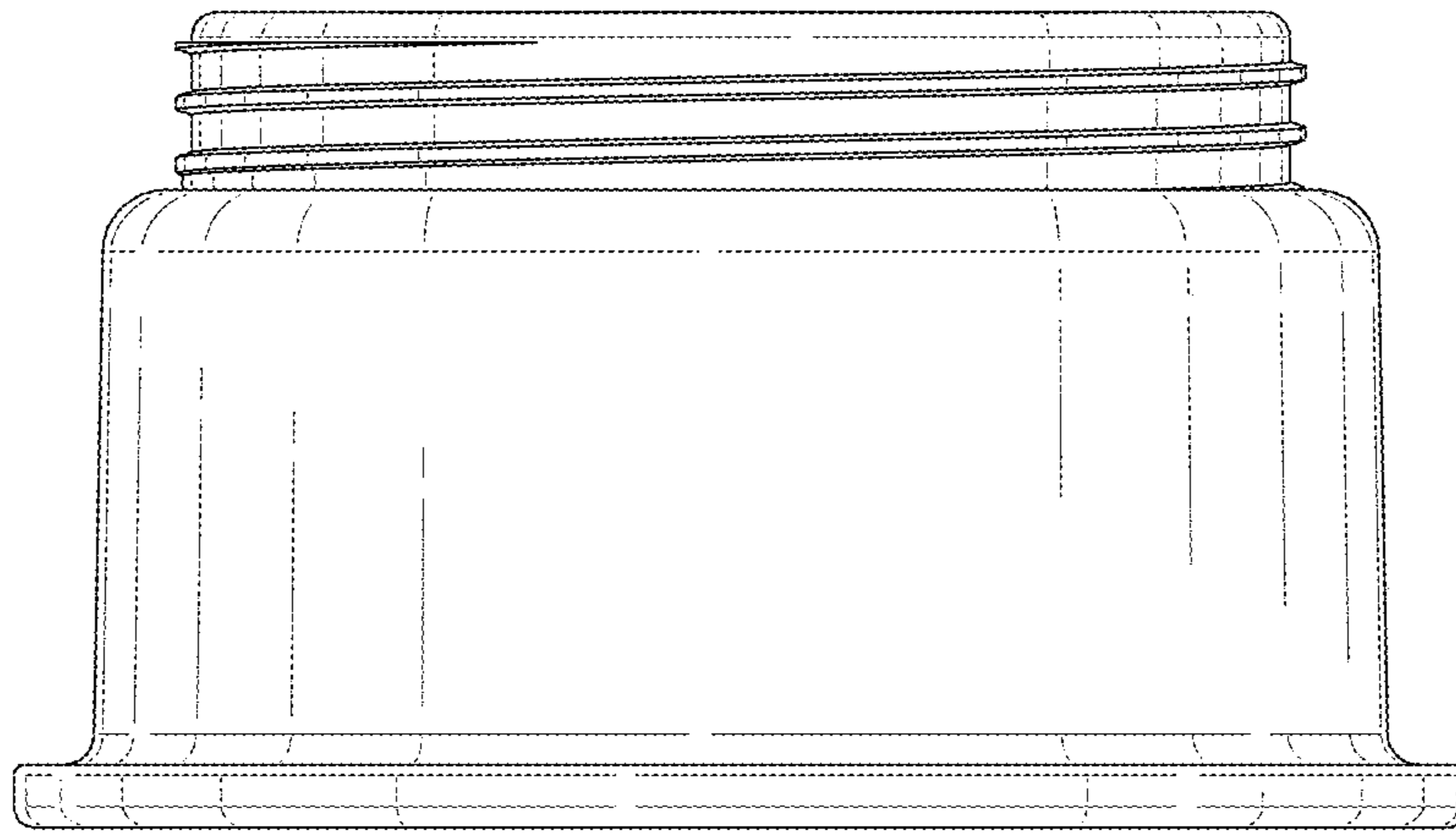


FIG.3

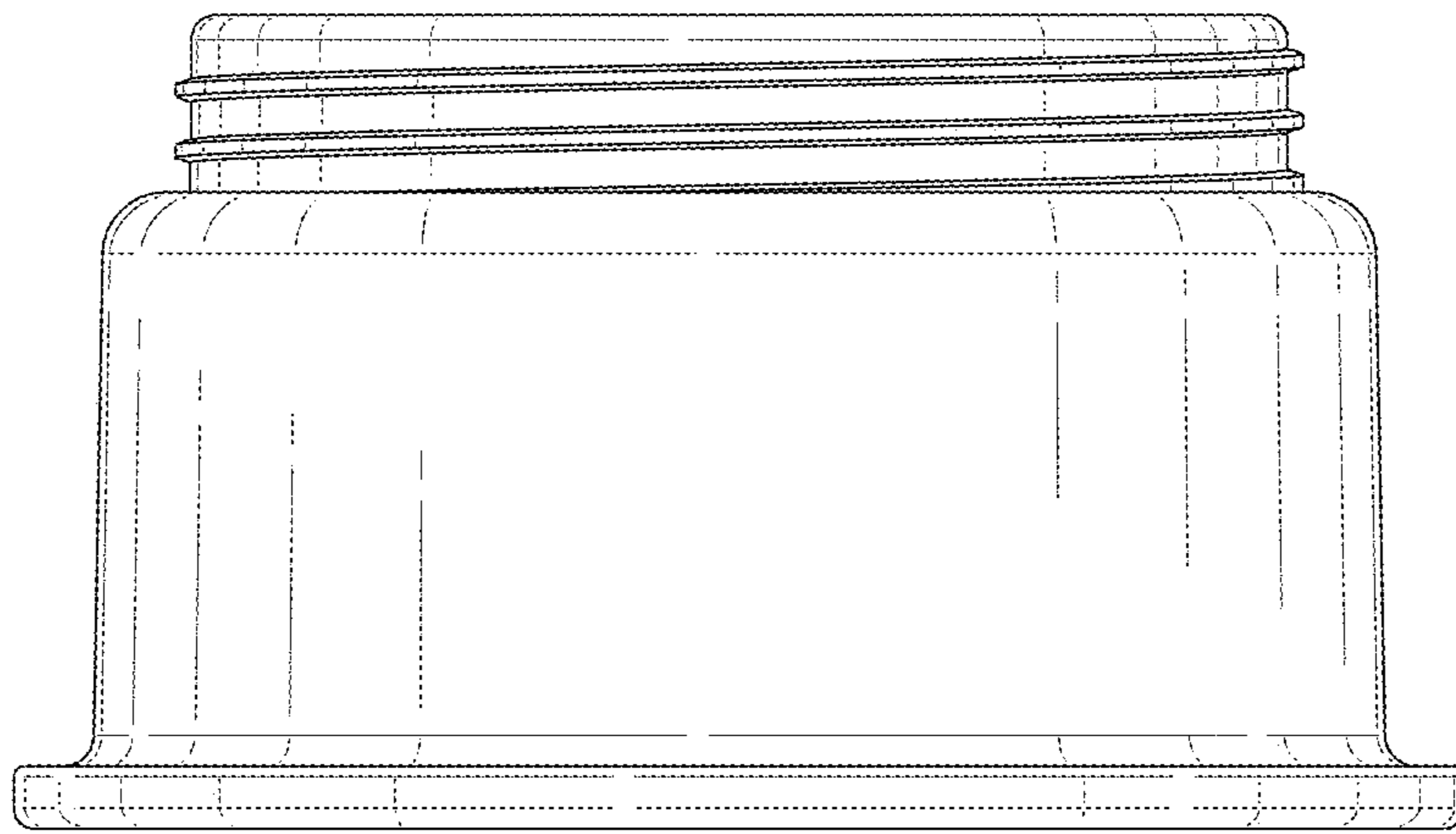


FIG.4

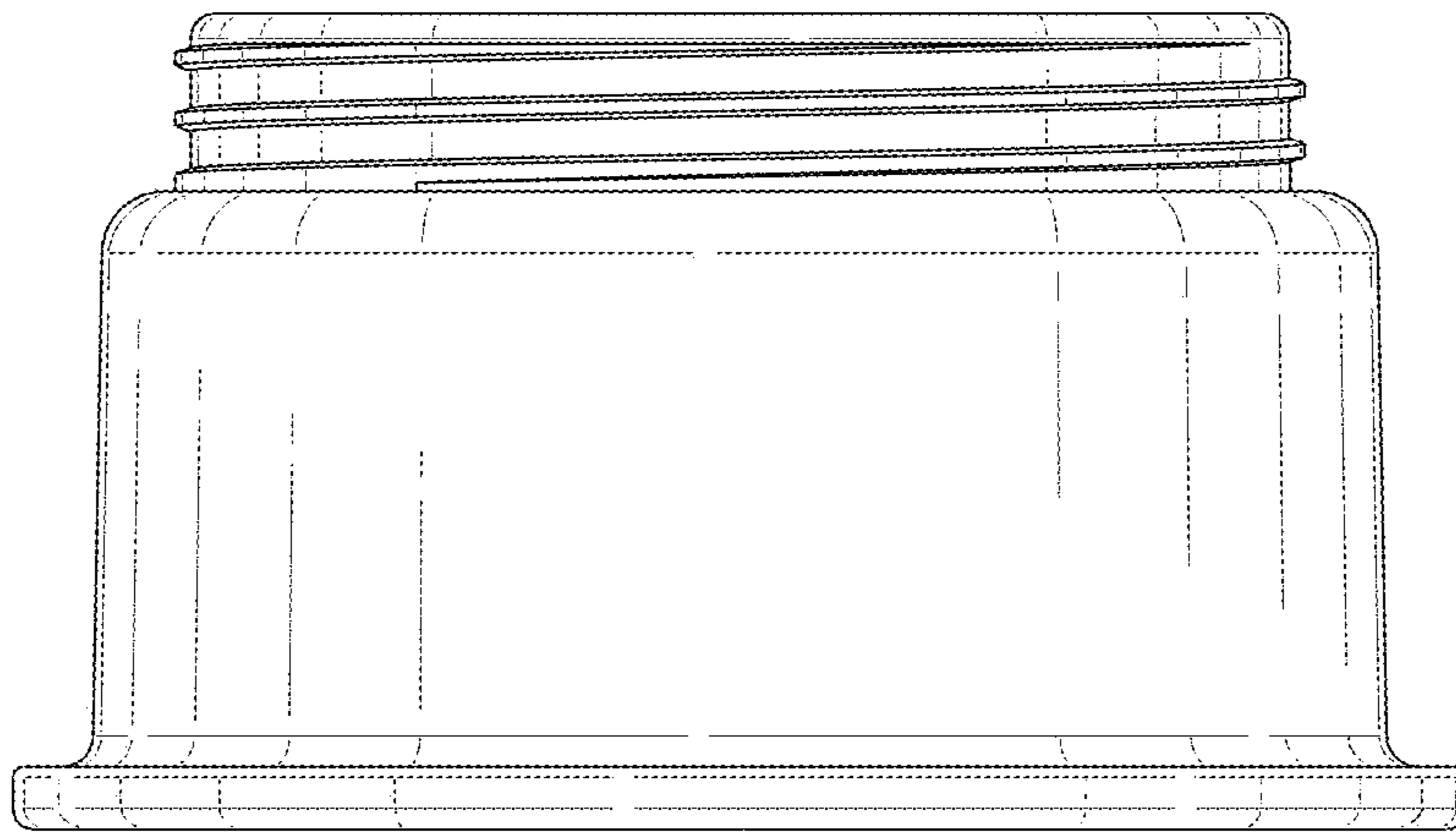


FIG.5

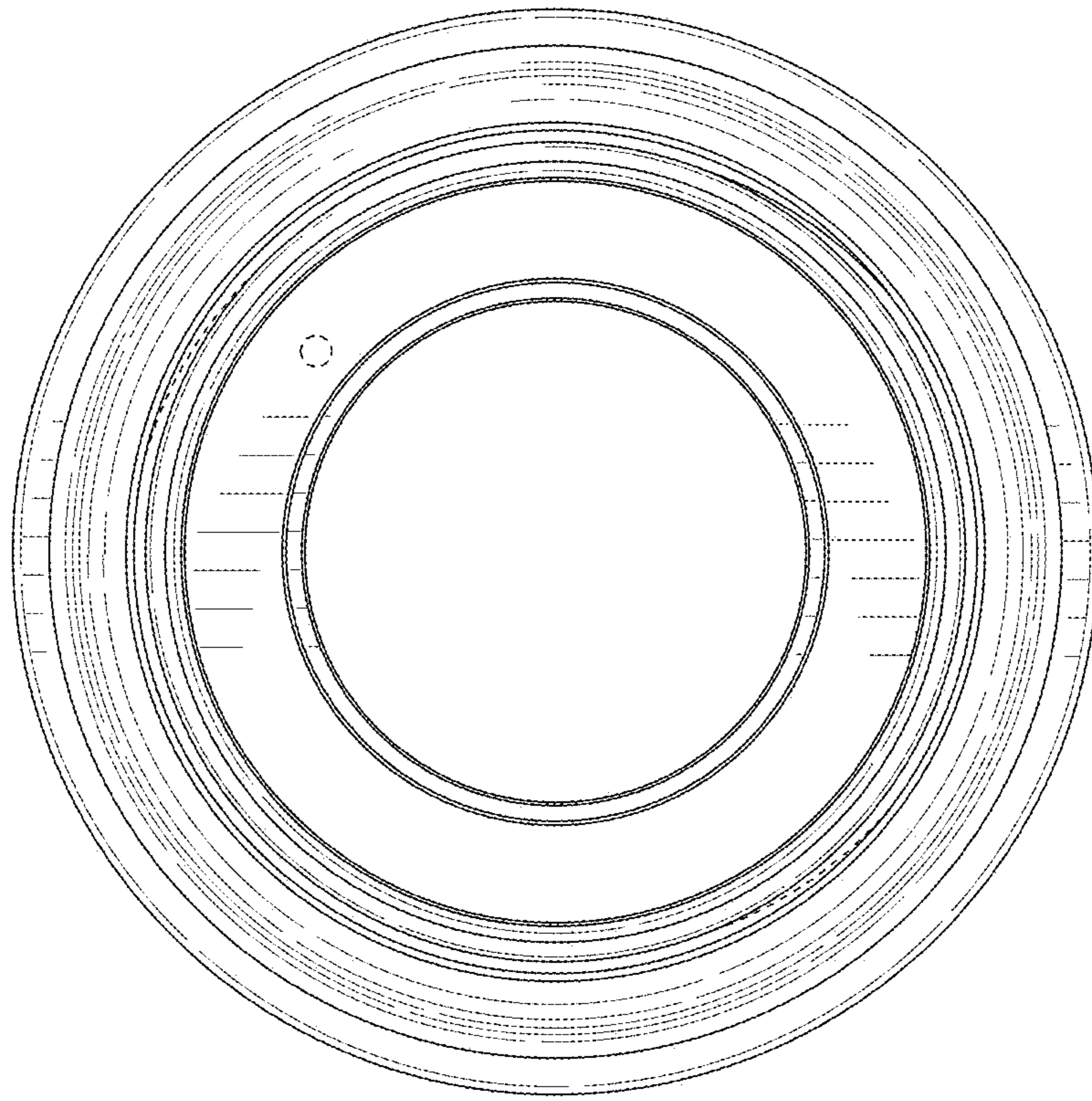


FIG.6

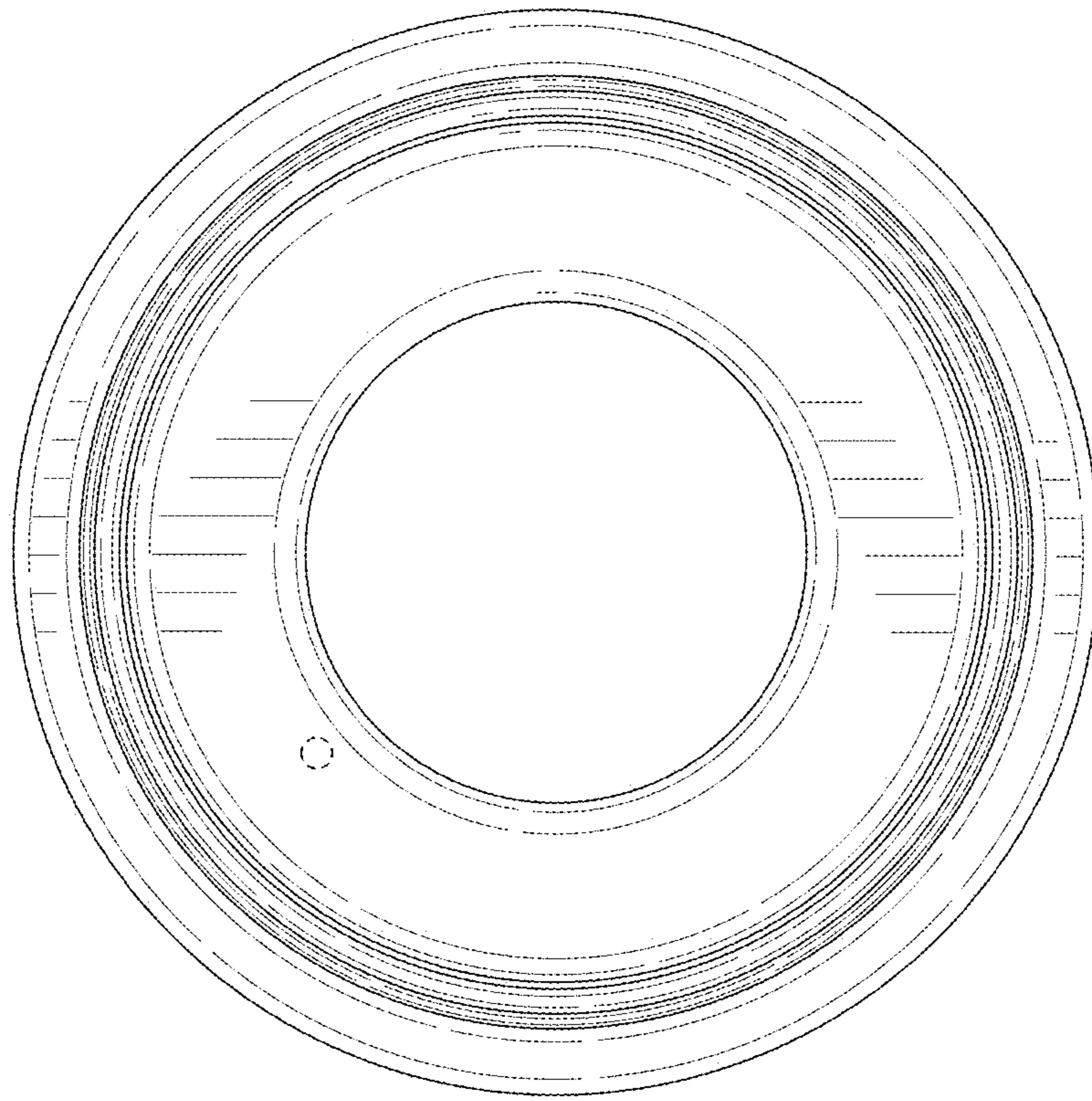


FIG. 7

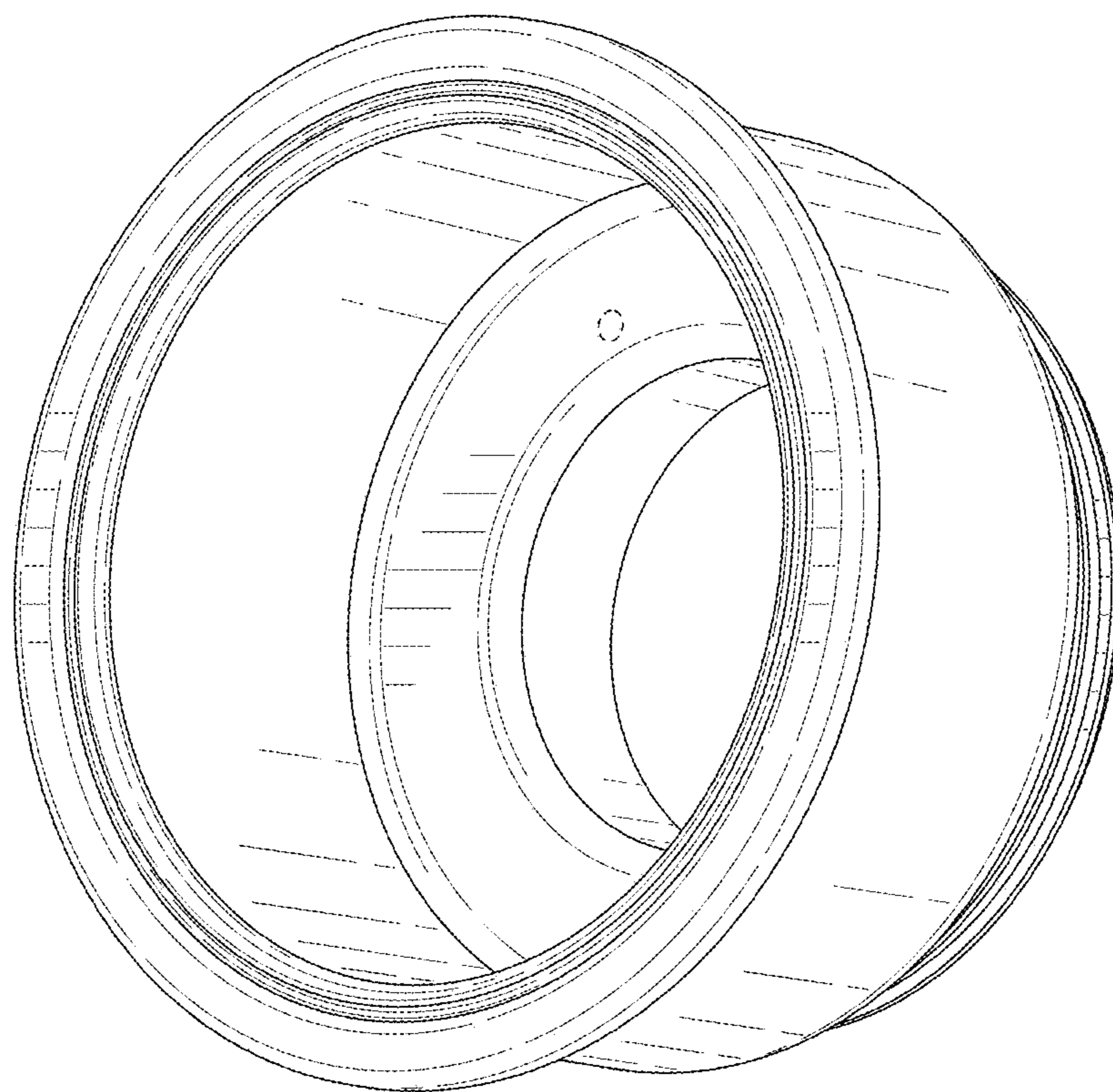


FIG.8