



US00D961106S

(12) **United States Design Patent** (10) **Patent No.:** **US D961,106 S**  
**He** (45) **Date of Patent:** **\*\* Aug. 16, 2022**

(54) **MASSAGER**  
(71) Applicant: **Shenzhen S-Hande Technology Co., Ltd.**, Shenzhen (CN)  
(72) Inventor: **Jing He**, Shenzhen (CN)  
(73) Assignee: **SHENZHEN S-HANDE TECHNOLOGY CO., LTD.**, Shenzhen (CN)  
(\*\*) Term: **15 Years**  
(21) Appl. No.: **29/769,191**  
(22) Filed: **Feb. 4, 2021**  
(51) **LOC (13) Cl.** ..... **28-03**  
(52) **U.S. Cl.**  
USPC ..... **D24/215**  
(58) **Field of Classification Search**  
USPC ..... D24/133, 188, 200, 211, 212, 213, 214, D24/215; D30/160; D28/44, 56, 57, 58  
CPC ..... A61H 39/04; A61H 7/007; A61H 15/00; A61H 2015/0042  
See application file for complete search history.

D872,372 S \* 1/2020 Tammabattula ..... D28/63  
D872,939 S \* 1/2020 Tammabattula ..... D28/63  
D872,940 S \* 1/2020 Tammabattula ..... D28/63  
D880,869 S \* 4/2020 Li ..... D4/134  
D882,810 S \* 4/2020 Sedic ..... D24/215  
D885,063 S \* 5/2020 Xiong ..... D4/116  
D898,212 S \* 10/2020 Sedic ..... D24/215  
D898,213 S \* 10/2020 Sedic ..... D24/215  
D903,891 S \* 12/2020 Sedic ..... D24/215  
D903,892 S \* 12/2020 Sedic ..... D24/215  
D914,227 S \* 3/2021 Sedic ..... D24/215  
D918,410 S \* 5/2021 Sedic ..... D24/215  
D925,754 S \* 7/2021 Sedic ..... D24/215  
D927,189 S \* 8/2021 Li ..... D4/100  
D927,718 S \* 8/2021 Sedic ..... D24/215

\* cited by examiner

Primary Examiner — Michael A Maharajh

(57) **CLAIM**

The ornamental design for a massager, as shown and described.

**DESCRIPTION**

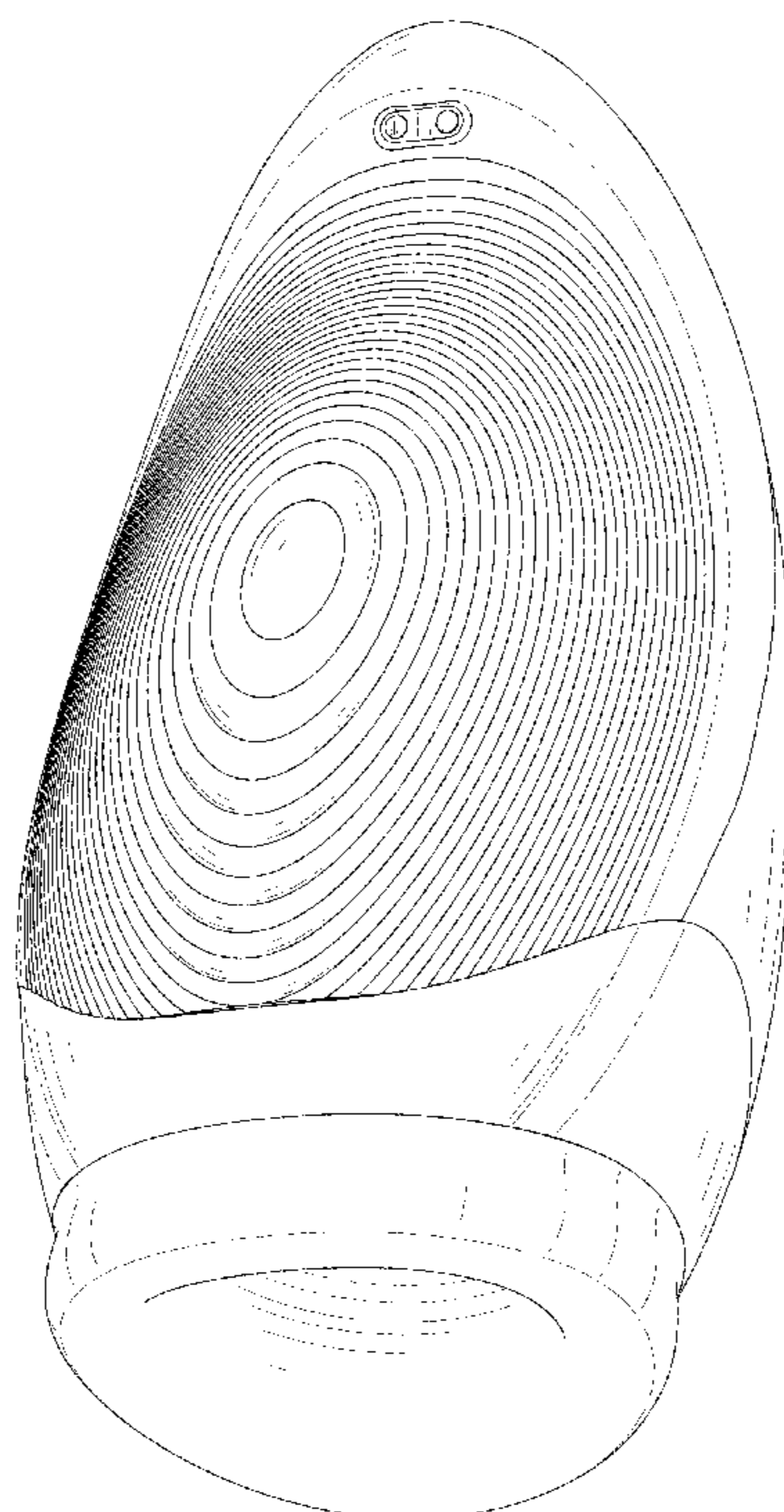
FIG. 1 is a perspective view of a massager showing my new design;  
FIG. 2 is another perspective view thereof;  
FIG. 3 is a front elevational view thereof;  
FIG. 4 is a rear elevational view thereof;  
FIG. 5 is a left side elevational view thereof;  
FIG. 6 is a right side elevational view thereof;  
FIG. 7 is a top plan view thereof; and,  
FIG. 8 is a bottom plan view thereof.  
The broken lines in the drawings depict portions of the massager that form no part of the claimed design.

**1 Claim, 8 Drawing Sheets**

(56) **References Cited**

**U.S. PATENT DOCUMENTS**

D804,189 S \* 12/2017 von Berg ..... D4/100  
D818,272 S \* 5/2018 Tai ..... D4/100  
D819,338 S \* 6/2018 Xiong ..... D4/102  
D822,387 S \* 7/2018 Tai ..... D4/100  
D857,221 S \* 8/2019 Sedic ..... D24/215  
D857,299 S \* 8/2019 Tammabattula ..... D28/63  
D866,074 S \* 11/2019 Tammabattula ..... D28/63  
D866,075 S \* 11/2019 Tammabattula ..... D28/63



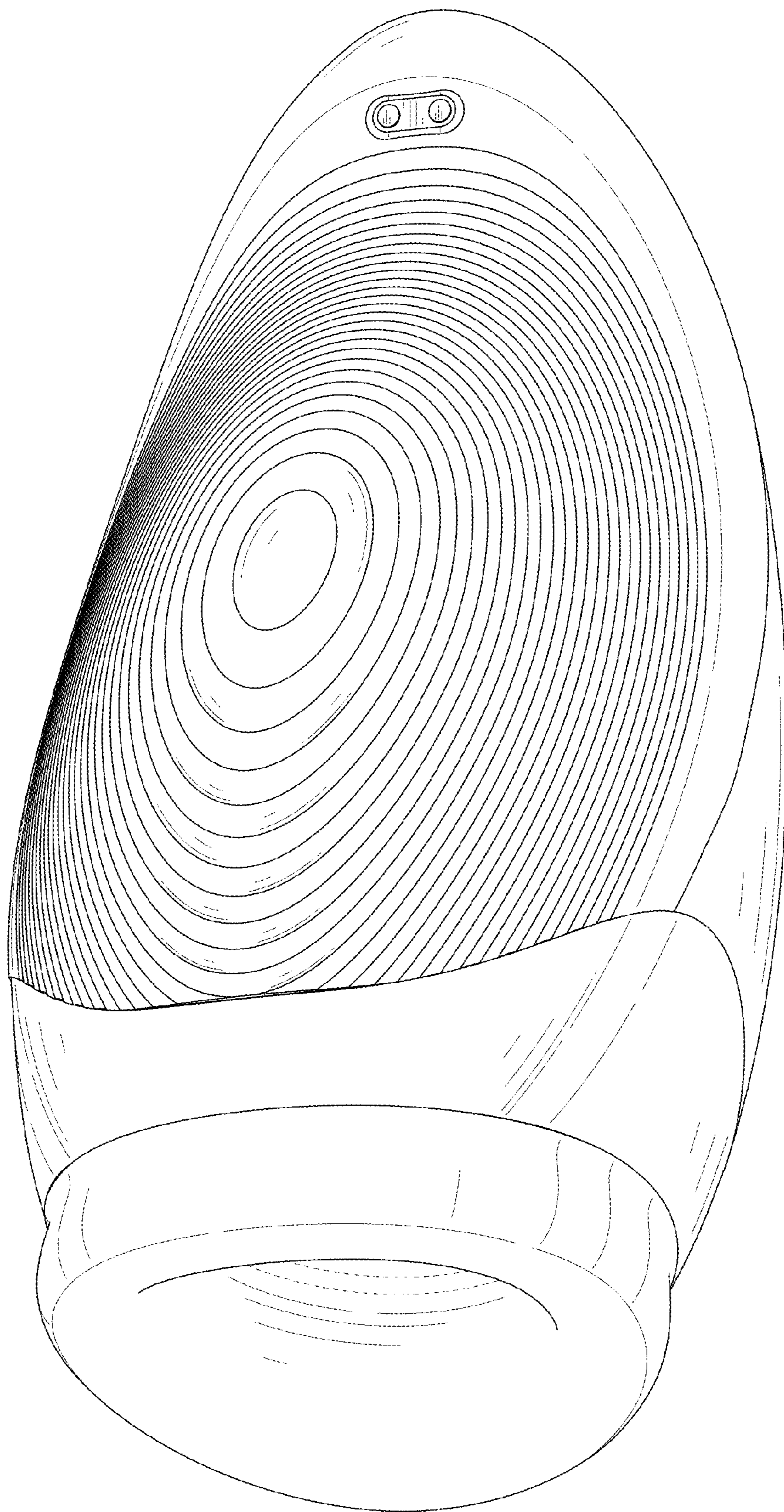


FIG. 1

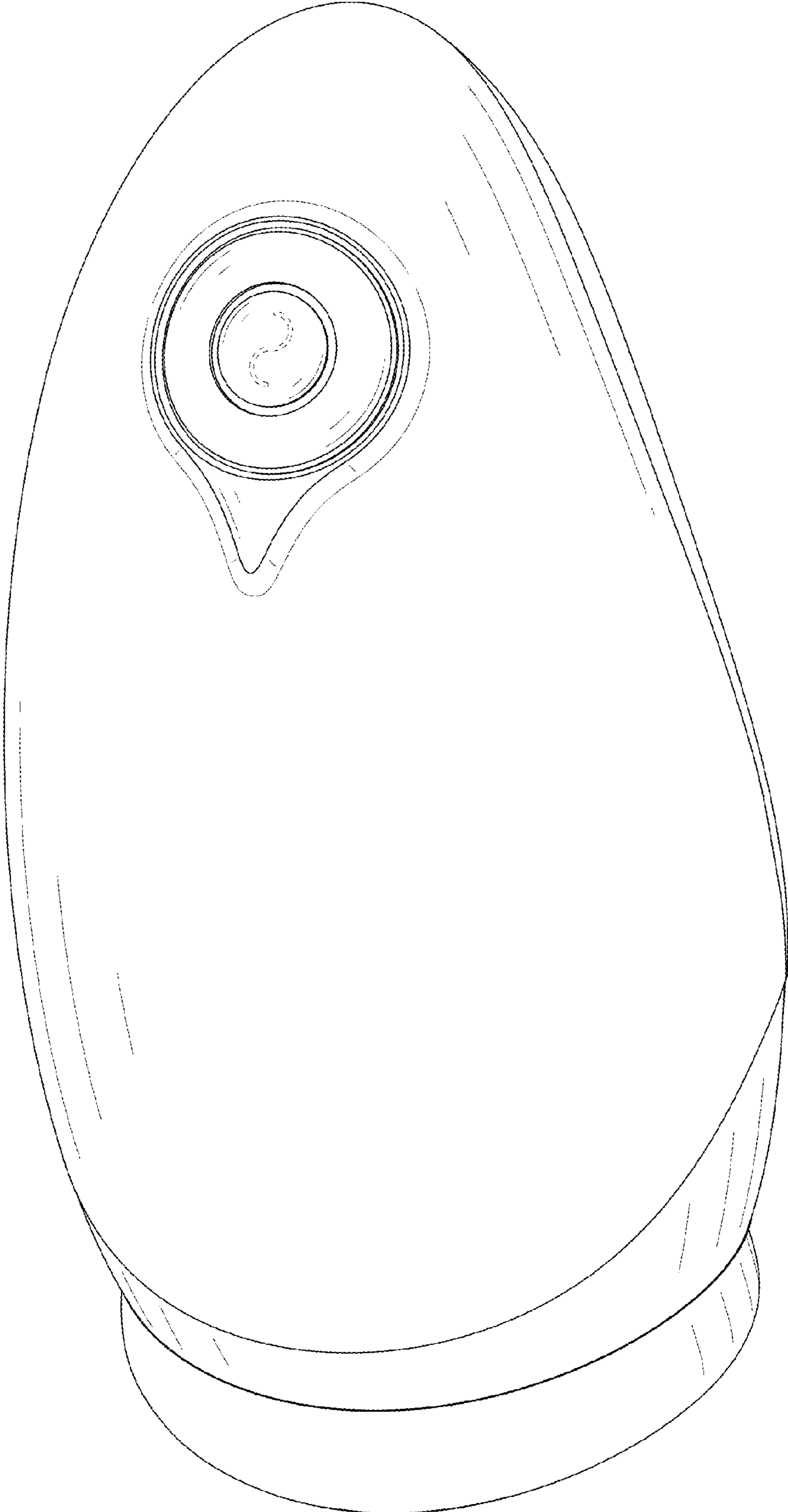


FIG. 2

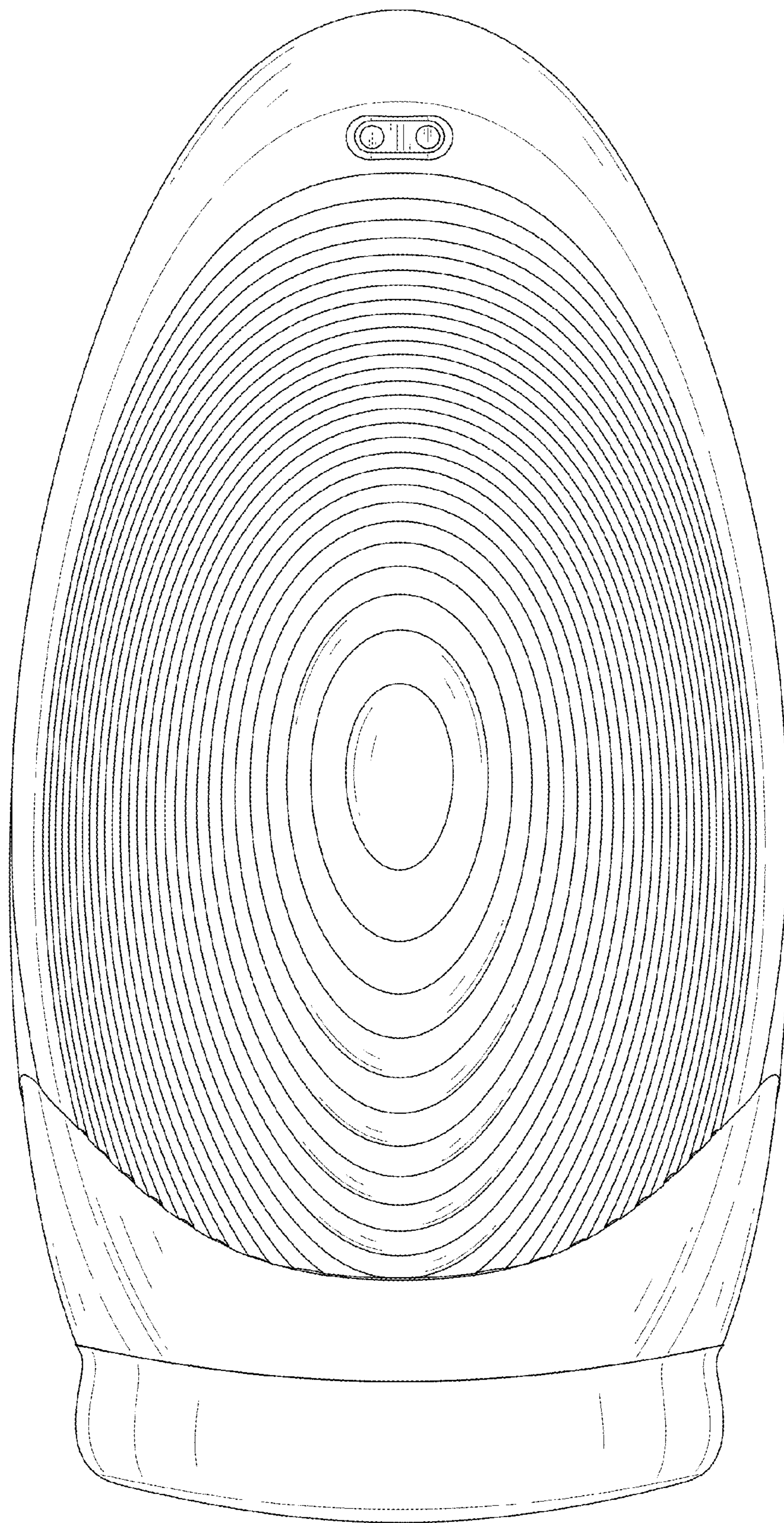


FIG. 3

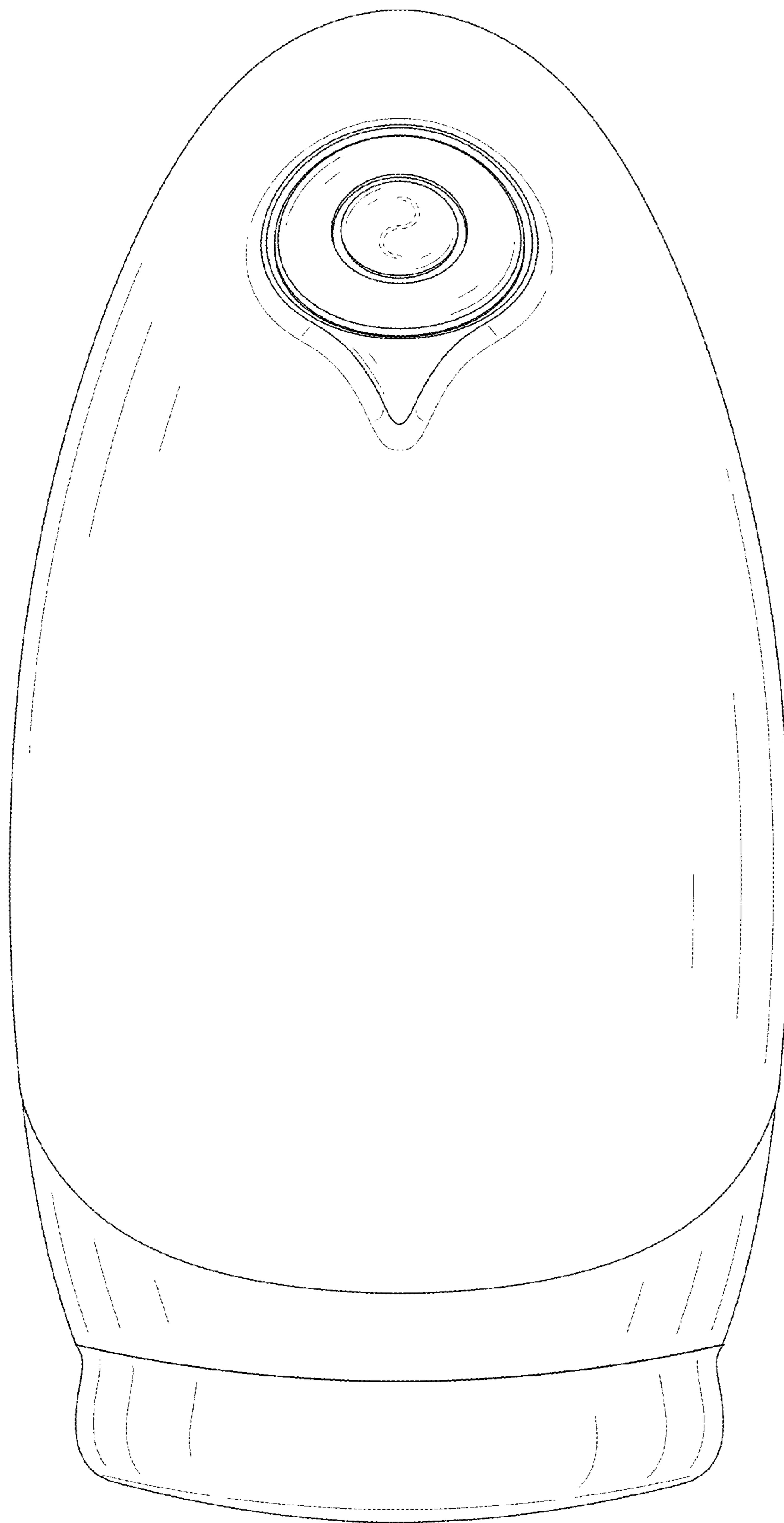


FIG. 4

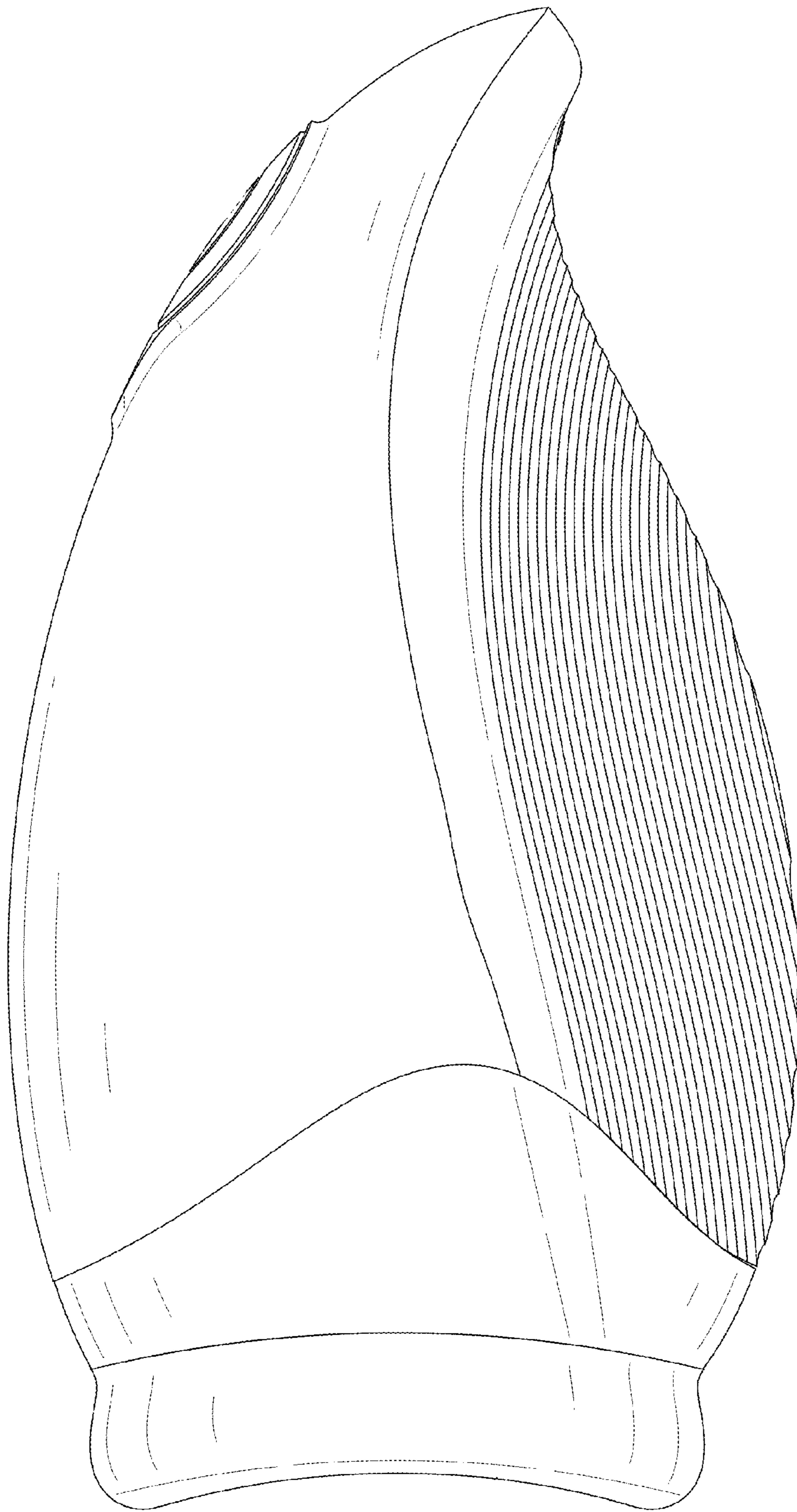


FIG. 5

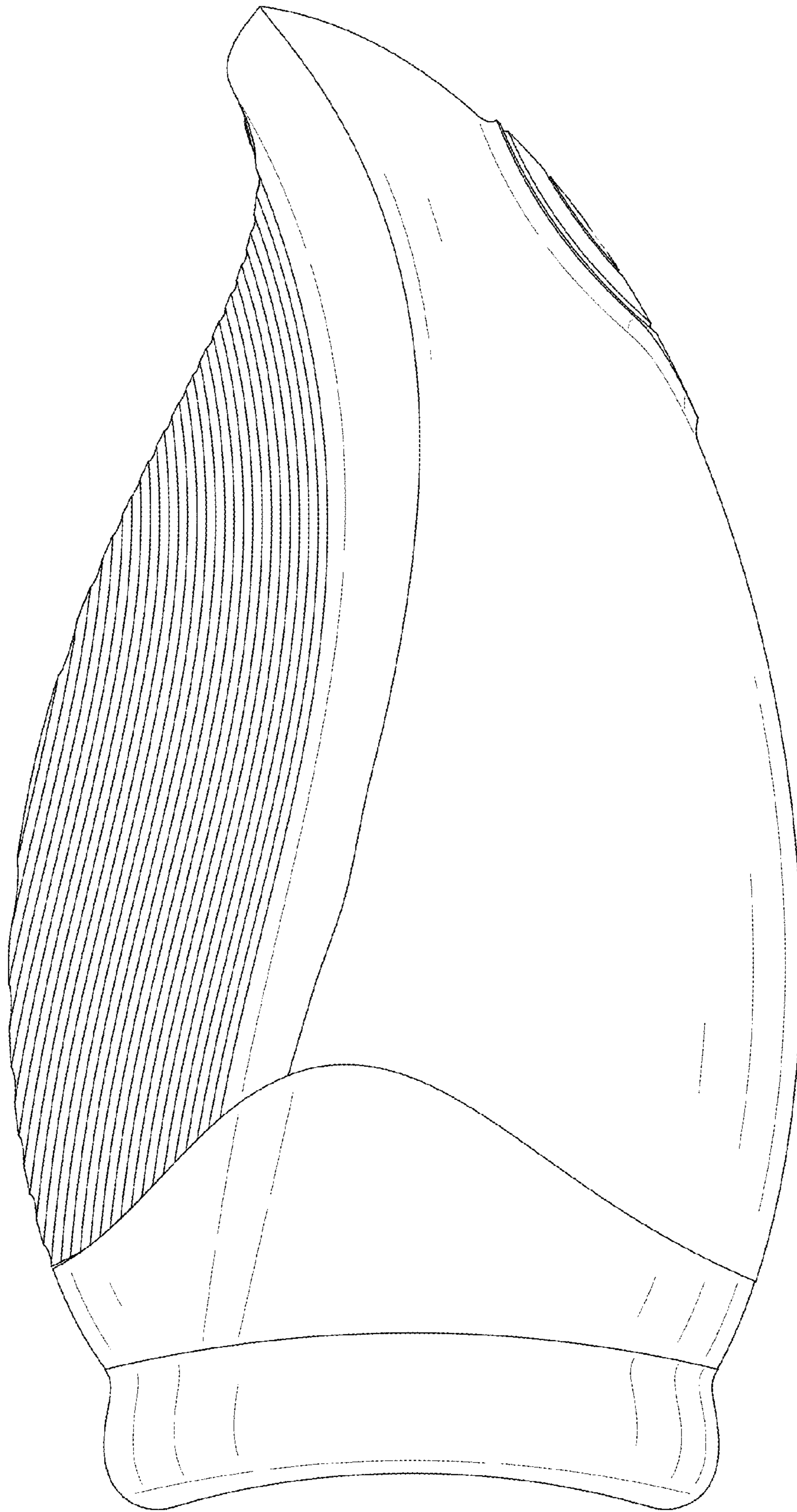


FIG. 6

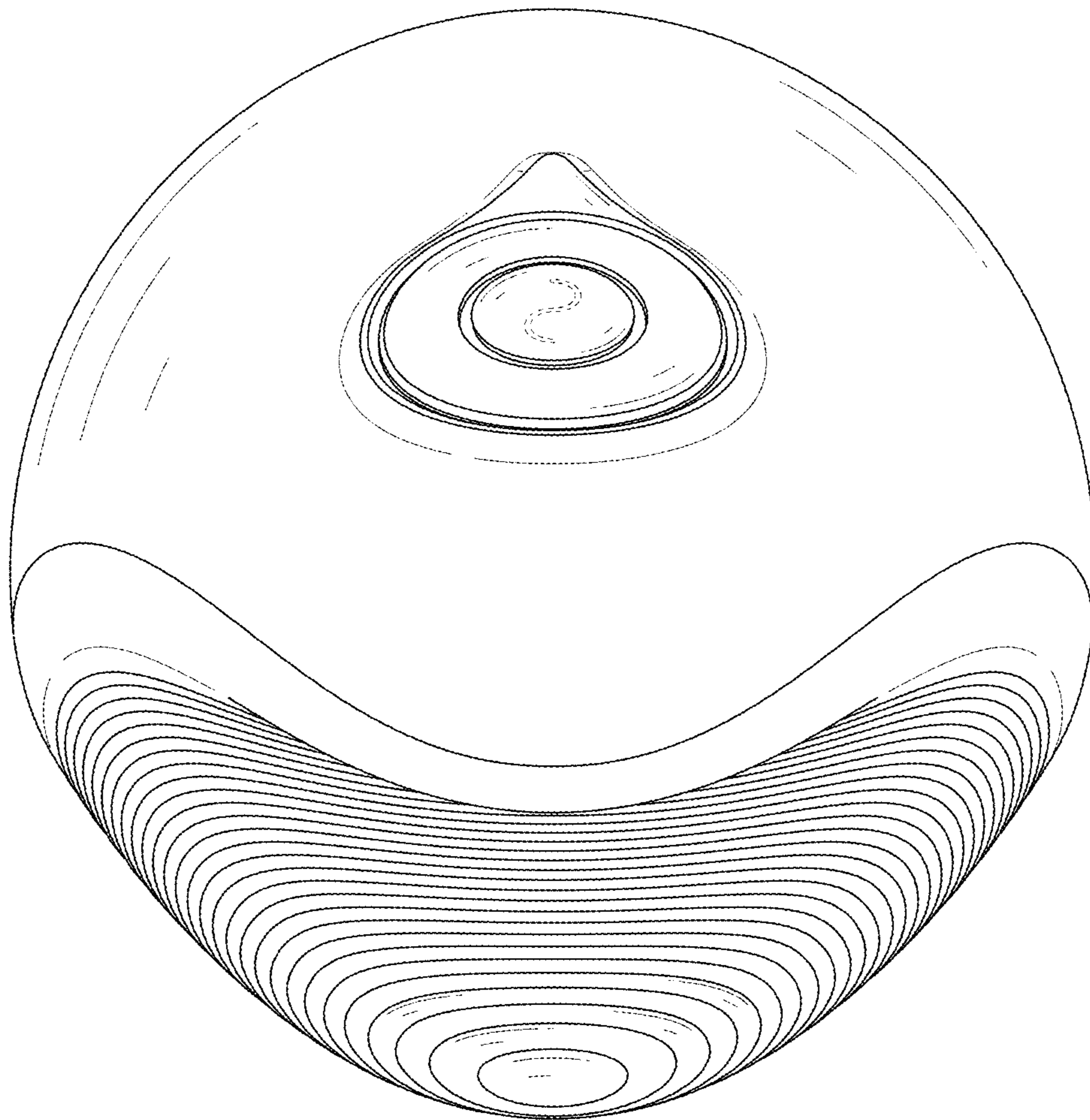


FIG. 7



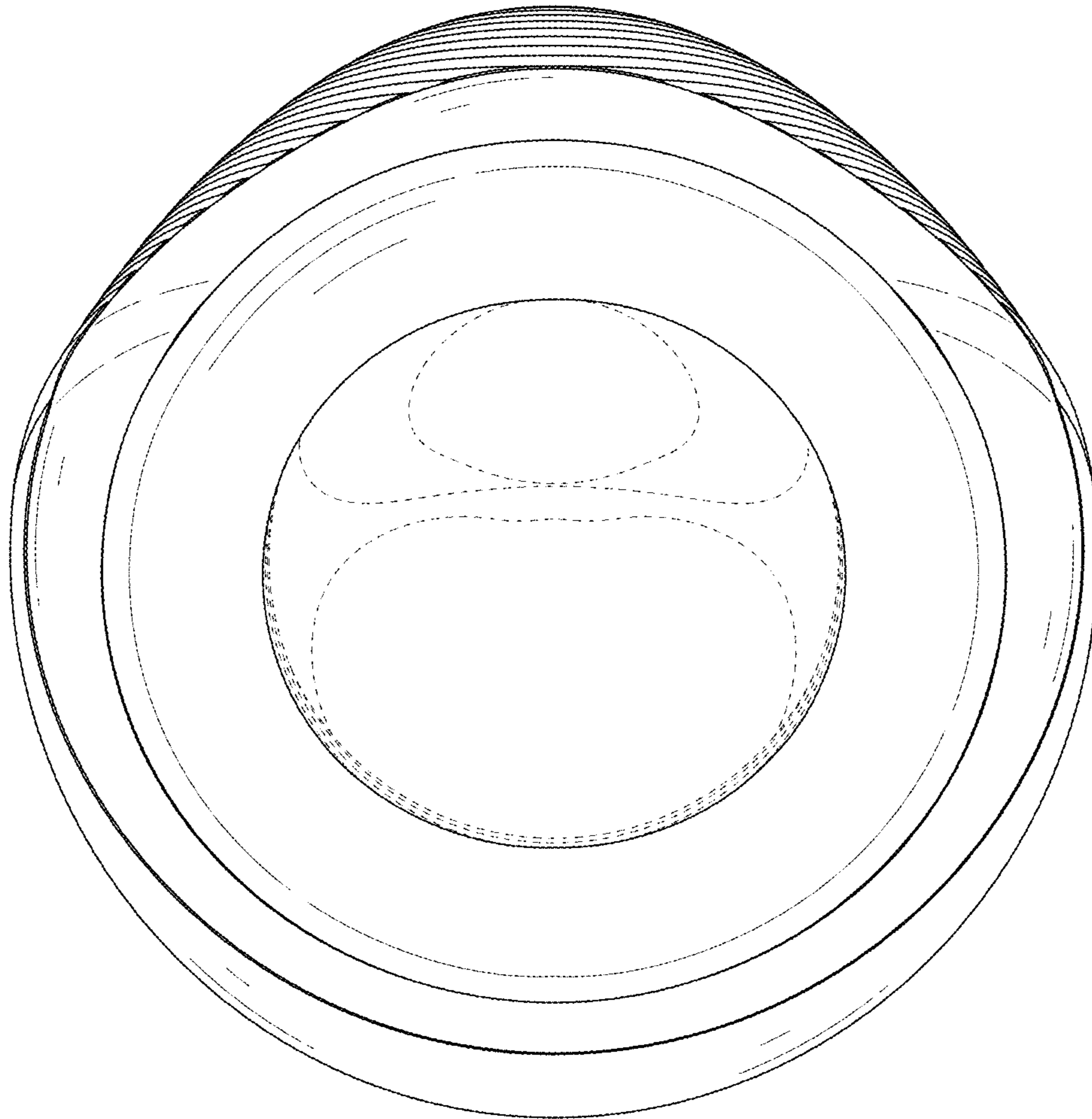


FIG. 8